

# DISHWASHER

ELECTROMECHANICAL SWITCHES  
LOWER WASHING  
LOWER AND UPPER WASHING

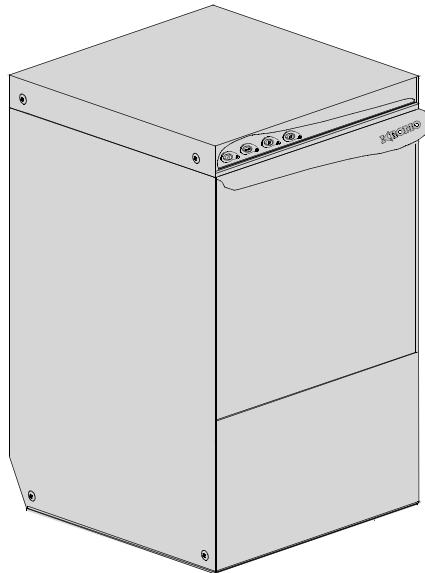
TYPE: LUX40

Accessories  
BREAK TANK  
BOOSTER PUMP  
DVGW  
COLD RINSE  
WATER SOFTNER  
DETERGENT DISPENSER  
DRAIN PUMP

---

## Spare parts manual

---



# Parti di ricambio Spare Parts Catalogues pièces

## INFORMAZIONI GENERALI

Questo catalogo serve per richiedere con esattezza le parti di ricambio

Nelle ordinazioni indicare:

1) il numero dei codici dei particolari seguito dalla descrizione e la quantità desiderata;

2) Il codice alfa-numerico presente nella seconda colonna della tabella ;

**I disegni delle parti di ricambio sono solo indicativi e non rappresentano il pezzo in oggetto.**

**I dati contenuti in questo catalogo sono indicativi e possono essere soggetti a modifiche senza impegno di preavviso.**

## ALLGEMEINE INFORMATIONEN

Dieser Ersatzteilkatalog dient zur genauen Angabe der Teile bei Ersatzteilbestellungen.

Bei Ersatzbestellung ist folgendes anzugeben:

1) Die Bestellnummer der Ersatzteile mit der entsprechenden Beschreibung genaue Menge;

2) Der alpha-numerischer Code auf der zweiten Reihe in dein Sculd;

**Die Zeichnungen der Ersatzteile sind nur als Hinweise gedacht und stellen nicht das betroffene Teil dar.**

**Bei den im Katalog angeführten Daten handelt es sich um Anhaltsdaten, die jederzeit, ohne Vorankündigung, geändert werden können.**

## GENERAL INFORMATION

The present spare parts order exactly the right spare parts

When ordering specify:

1) the part's code number followed by its description and quantity needed;

2) The alpha-numeric code is in the second column in the chart;

**Spare parts drawings are general and do not represent the part.**

**The contents of this catalogue are general and can undergo changes without prior notice.**

## INFORMACIONES GENERALES

El presente catálogo sirve para pedir con exactitud las partes de repuesto

En los pedidos se debe indicar:

1) el número de código de la parte y a continuación la descripción cantidad deseada;

2) El código alfanumerico presente en la segnada columna de la tabla;

**Los diseños de las partes de recambio son solo indicativos y no representan la pieza en cuestión.**

**Los datos contenidos en el presente catálogo son indicativos y pueden modificarse sin aviso previo.**

## INFORMATIONS GENERALES

Ce catalogue permet de commander correctement les pièces détachées

Les commandes doivent être passées en indiquant:

1) le numero de code des pièces dééectachées suivi de leur description quantité désirée;

2) le code alphanumérique dans la deuxième colonne du tableau;

**Les plans des pièces détachées sont fournis seulement à titre indicatif et ne représentent pas la pièce concernée.**

**Les données de ce catalogue sont citées seulement à titre indicatif et peuvent être l'objet de modifications sans avis préalable.**

## ESEMPIO EXAMPLE EXEMPLE BEISPIEL

Rif.	Codici
MODULE:Particolari	
10505	540903
10510	540908
10515	15065/A
10520	540086
10525	540028

### Note

Tutte le informazioni riportate si intendono aggiornate alla data di stampa. Il Produttore si riserva il diritto di apportare qualsiasi modifica richiesta dallo sviluppo evolutivo dei suddetti prodotti.

Per la sicurezza, la garanzia, l'affidabilità ed il valore della lavastoviglie usa solo ricambi originali. **Per alcuni codici, sono richieste quantità minime d'ordine.**

### Attenzione

Questo libretto è parte integrante della lavastoviglie e, in caso di passaggio di proprietà, deve essere consegnato al nuovo acquirente.

### Remarque

Toutes les informations contenues dans ce manuel s'entendent mises à jour à la date d'impression. En raison du développement constant de ses produits, usine se réserve le droit d'apporter à tout instant les modifications qu'elle jugera utiles.

Pour la sécurité, la garantie, la fiabilité et la valeur de votre lavevaisselles n'utilisez que des pièces de rechange d'origine. **Pour quelque référence on demande un minimum de pièces par commande**

### Attention

Ce manuel doit être considéré comme partie intégrante de la lavevaisselles, en cas de transfert de propriété, doit toujours être remis au nouveau propriétaire.

### Note

The information contained herein is valid at the time of going to print. The Company reserves the right to make any changes required by the future development of the above-mentioned products.

For your safety, as well as to preserve the warranty reliability and worth of your dishwashers, use original spare parts only. **For some codes a minimum quantity for order is required.**

### Warning

This manual forms an integral part of the dishwashers and - if a transfer of title occurs - must always be handed over to the new owner.

### Hinweis

Die Der Hersteller behält sich das Recht vor, jegliche, durch eine Weiterentwicklung der genannten Produkte bedingte Änderungen vornehmen zu können.

Verwenden Sie für Ihre Sicherheit, die Garantie, die Zuverlässigkeit und den Wert Ihrer machine originale Ersatzteile. **Für bestimmte Code nummer werden mindesten bestellungen verlangt.**

### Achtung

Diese Betriebsanleitung ist Bestandteile des machine und muss bei seinem Weiterverkauf dem neuen Besitzer ausgehändigt werden.

## 1. Spare parts

General body parts.....	7
Lockup system .....	9
Lockup system .....	11
Lockup system .....	13
Control panel and switches.....	15
Control panel and switches.....	17
Solenoid valve group .....	19
Solenoid valve group .....	21
Solenoid valve group .....	23
Break Tank .....	25
Booster pump.....	27
DVGW .....	29
Water softner group.....	31
Rinse aid dispenser group.....	33
Rinse aid dispenser group.....	35
Boiler group .....	37

---

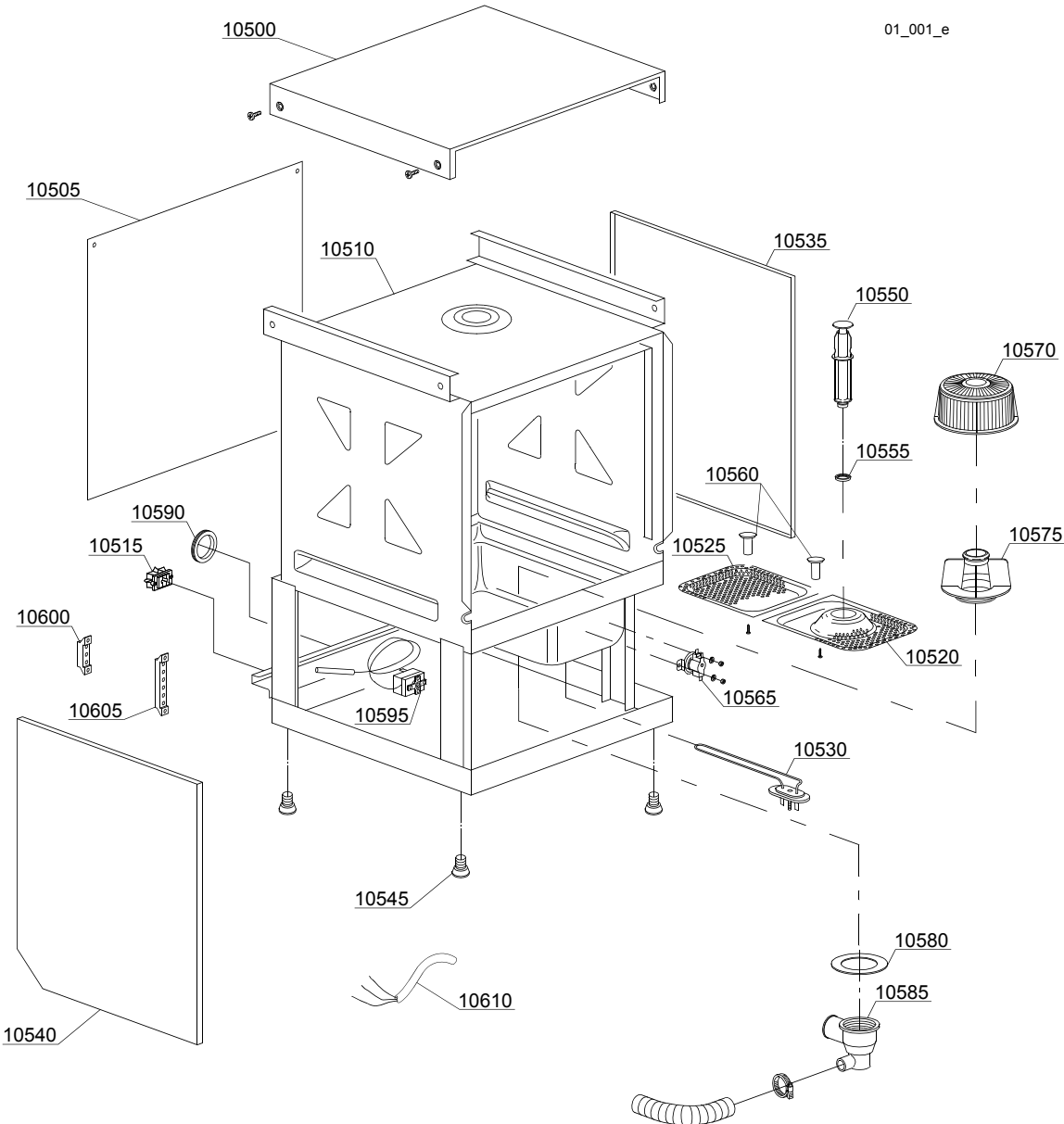
<b>3 ways connection .....</b>	<b>39</b>
<b>4 ways connection .....</b>	<b>41</b>
<b>Wash pump .....</b>	<b>43</b>
<b>Wash pump .....</b>	<b>45</b>
<b>Dosing detergent group.....</b>	<b>47</b>
<b>Dosing detergent group.....</b>	<b>49</b>
<b>Drain pump group.....</b>	<b>51</b>
<b>Drain pump group.....</b>	<b>53</b>
<b>Pressure switch group with air trap ...</b>	<b>55</b>
<b>Turret group with rotating arms .....</b>	<b>57</b>
<b>Turret group with rotating arms .....</b>	<b>59</b>

## 1.1 Voltage codes

Voltage code	Voltage
A	3/N/PE~400/230V 50Hz
B	~250V 16A 50Hz
C	3/N/PE~380/220V 50Hz
D	3/PE~200V 50-60Hz
F	2/PE 220-240V 50Hz
G	3/N/PE~415/240V 50Hz
H	3/PE~230V 50Hz
I	3/PE~220V 60Hz
J	3/PE~380 50Hz
K	3/PE~400V 50Hz
L	3/PE~415V 50Hz
M	3/PE~440V 60Hz
N	3/PE~460V 60Hz
O	3/PE~480V 60Hz
P	1/N/PE~220-240V 50Hz
R	2/PE~220-230V 60Hz
S	3/N/PE~400/230V 50Hz
T	3/PE~230V 60Hz

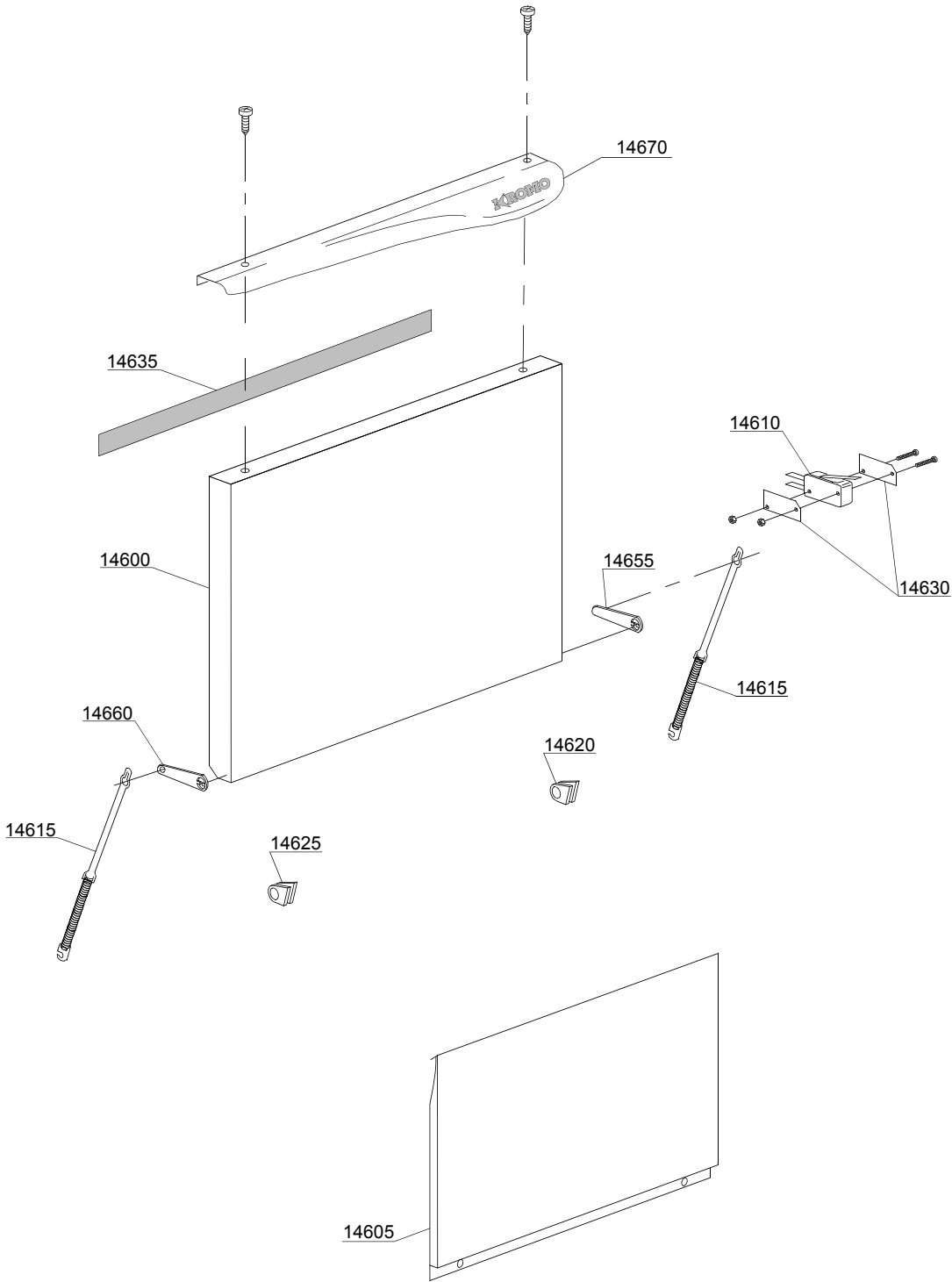
## 1.2 Product codes

Product code	Full name
Model codes	
em	ELECTROMECHANICAL SWITCHES
cf	LOWER WASHING
ls	LOWER AND UPPER WASHING
Type codes	
LUX40	LUX40
Accessory codes	
bt	BREAK TANK
pap	BOOSTER PUMP
dvgw	DVGW
fs	COLD RINSE
d	WATER SOFTNER
dde	DETERGENT DISPENSER
ps	DRAIN PUMP



## Spare parts

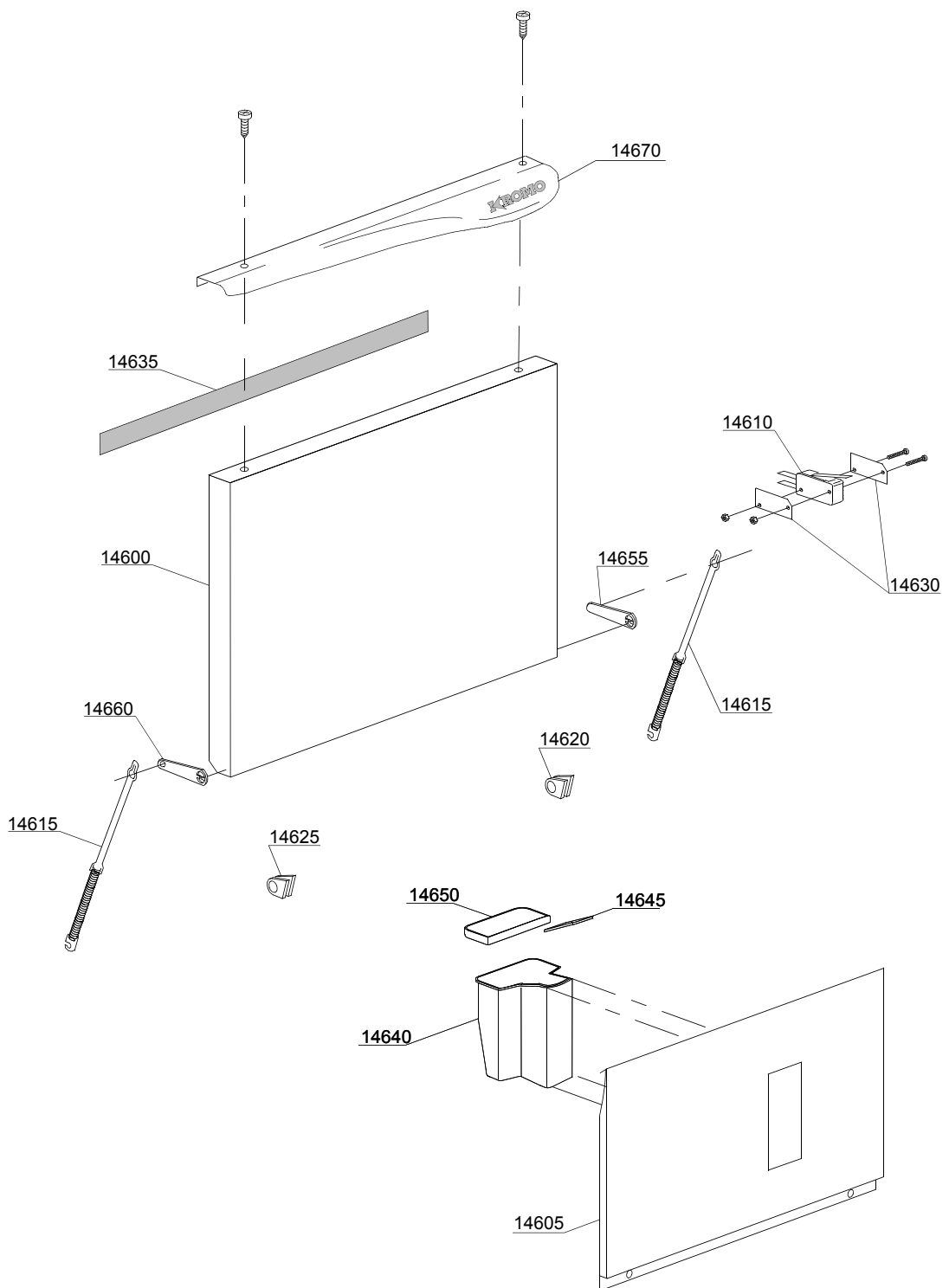
ID	P-code	Model	Type	Accessory	Voltage	Description
MODULE:General body parts						
10500	540913		LUX40			Cover
10505	540903		LUX40			Back panel
10510	540908		LUX40			Body
10510	540921		LUX40	ws		Body
10515	15065/A		LUX40			Cable-fastener with screw
10520	540027		LUX40			Surface half-filter
10525	540028		LUX40			Surface half-filter
10530	540401		LUX40			1,1/1,2 KW 230/240V heating element
10535	540900		LUX40			Right side
10540	540901		LUX40			Left side
10545	10850		LUX40			Foot
10550	540033		LUX40			Overflow pipe
10555	13021		LUX40			DEM 40 O-ring
10560	540039		LUX40			Surface filter handle
10565	15551		LUX40			Fixed tank thermostat in deviation
10570	500620		LUX40			Filter
10575	500615		LUX40			Ferrule with filter
10580	80208		LUX40			95x75x3 O-ring
10585	500606		LUX40			Right side scrap tray
10590	13317		LUX40			Ø40mm lead through rubber
10595	10707/1		LUX40			0-90°C thermostat
10600	500550		LUX40			3 poles terminal board
10605	500551		LUX40			6 poles terminal board
10610	10713		LUX40			3x2,5x2500 cable
10610	15118		LUX40			5x2,5 cable



02\_129\_e

## Spare parts

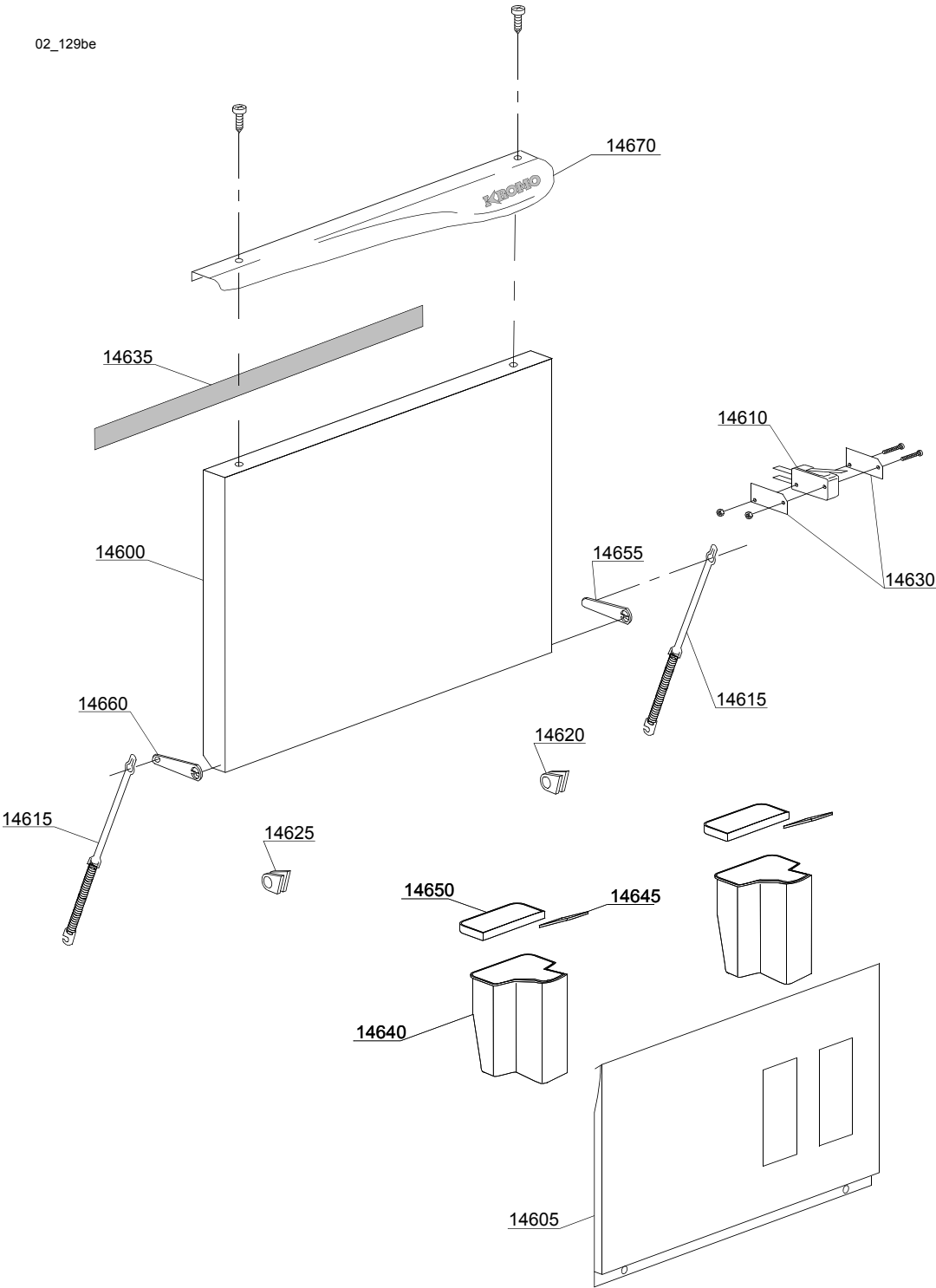
ID	P-code	Model	Type	Accessory	Voltage	Description
MODULE:Lockup system						
14600	540958		LUX40			Door with steel handle
14605	540902		LUX40			Lower door
14610	10704		LUX40			Door microswitch
14615	560003		LUX40			Door spring
14620	540035		LUX40			Right axle bush for door hinge
14625	540036		LUX40			Left axle bush for door hinge
14630	10770		LUX40			Insulation for door microswitch
14635	560021		LUX40			Profile for door O-ring
14640	540050		LUX40			Square tank
14645	540044		LUX40			Shining product tank cover
14650	540049		LUX40			Back tank cover
14655	540624		LUX40			Right arm for door
14660	540629		LUX40			Left arm for door
14670	540961		LUX40			Steel handle



02\_129ae

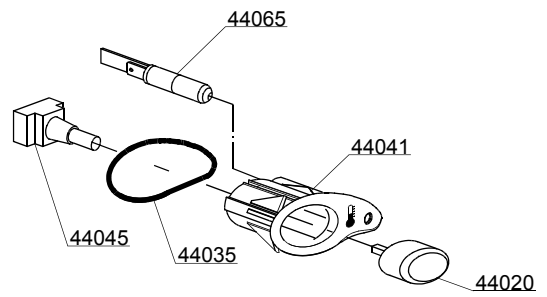
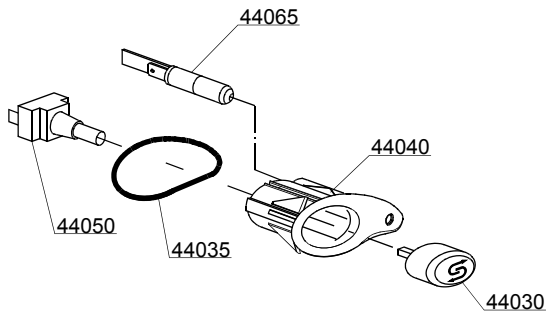
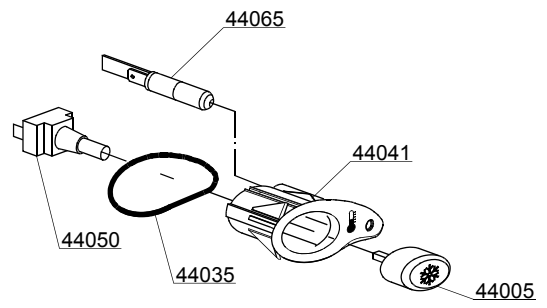
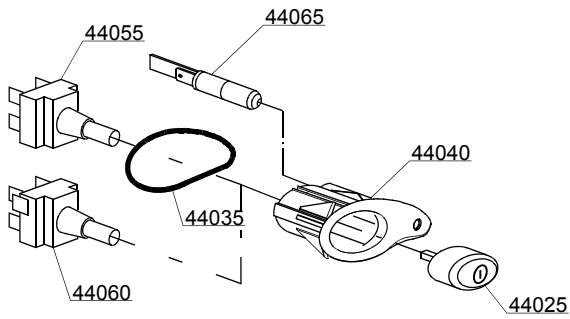
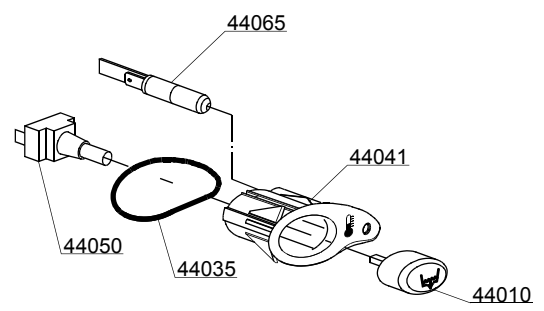
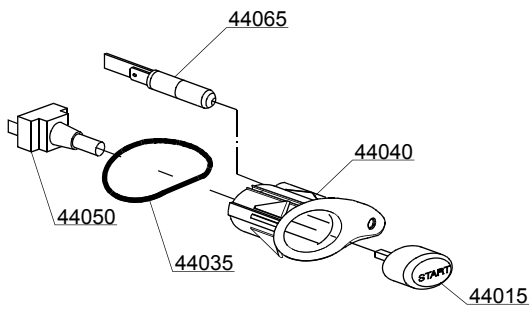
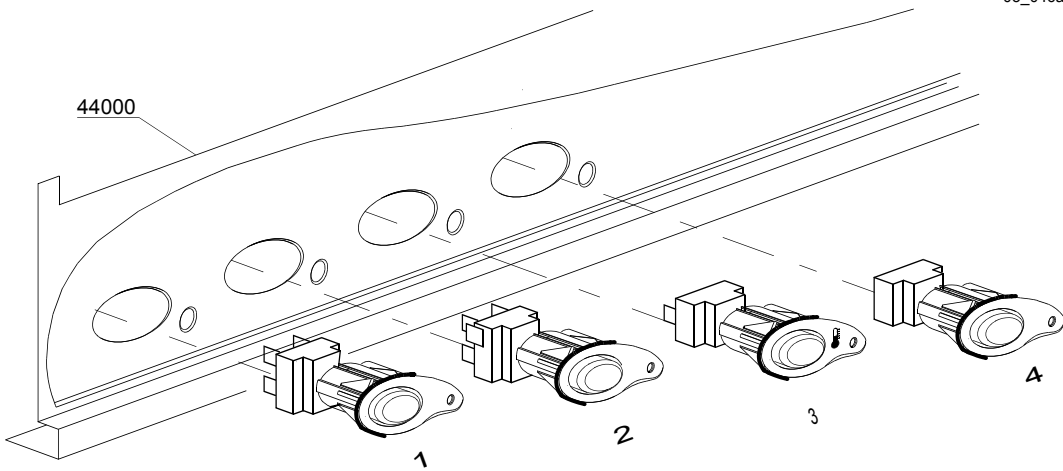
## Spare parts

ID	P-code	Model	Type	Accessory	Voltage	Description
MODULE:Lockup system						
14600	540958		LUX40			Door with steel handle
14605	540936		LUX40			Lower door
14610	10704		LUX40			Door microswitch
14615	560003		LUX40			Door spring
14620	540035		LUX40			Right axle bush for door hinge
14625	540036		LUX40			Left axle bush for door hinge
14630	10770		LUX40			Insulation for door microswitch
14635	560021		LUX40			Profile for door O-ring
14640	540050		LUX40			Square tank
14645	540044		LUX40			Shining product tank cover
14650	540049		LUX40			Back tank cover
14655	540624		LUX40			Right arm for door
14660	540629		LUX40			Left arm for door
14670	540961		LUX40			Steel handle

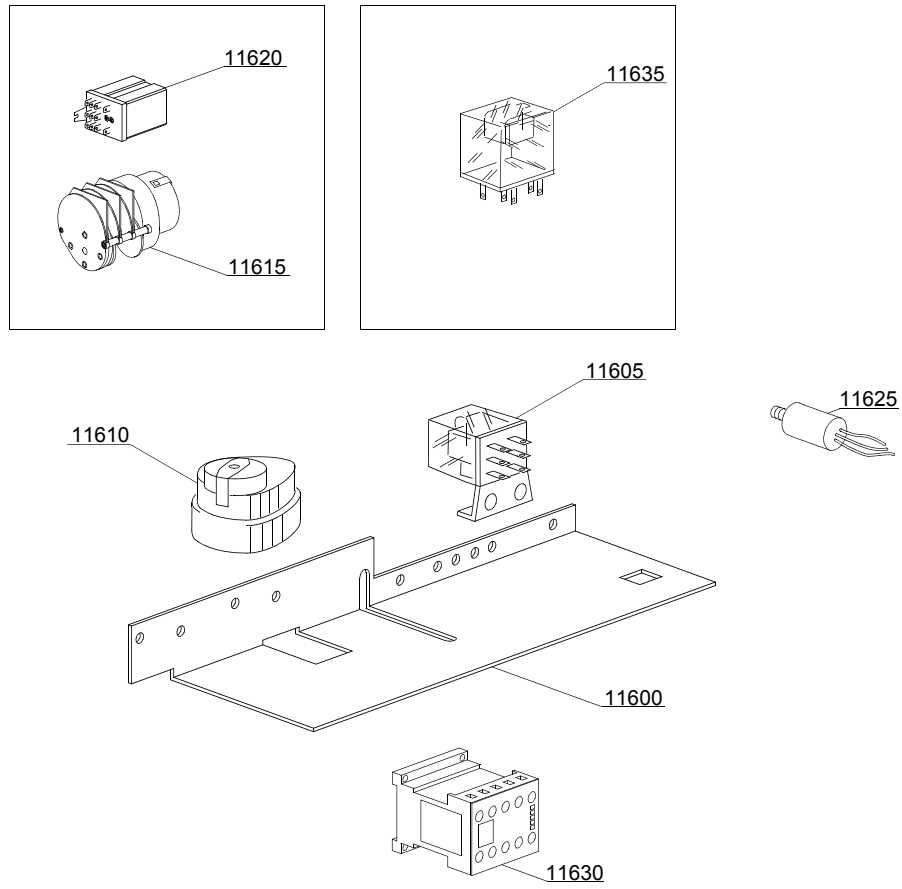




03\_046ae



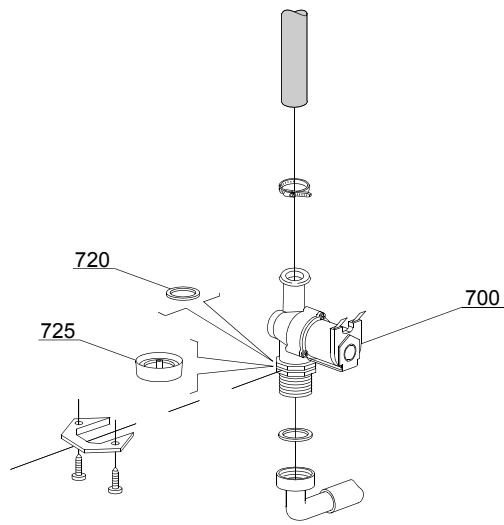
ID	P-code	Model	Type	Accessory	Voltage	Description
MODULE:Control panel and switches						
44000	540962		LUX40			Control panel LUX 40
44005	89344		LUX40	cr		Touche chaud/froid
44010	89343		LUX40	dp		Drain pump push button (OPTIONAL)
44015	89341		LUX40			START push button
44020	89348		LUX40			Blind push button
44025	89340		LUX40			ON-OFF push button
44030	89345		LUX40	ws		Regeneration push button (OPTIONAL)
44035	86006		LUX40			OR O-ring
44040	86001		LUX40			Push button support
44041	86002		LUX40			Temperature push button support
44045	15844		LUX40			Push button support
44050	15813		LUX40			16A unipolar switch
44055	15812		LUX40			16A bipolar switch
44055	15800		LUX40			16A switch
44060	15811		LUX40			16A bipolar switch
44060	15811/A		LUX40			16A bipolar switch
44065	15826		LUX40			Pilot light



04\_001\_e

## Spare parts

ID	P-code	Model	Type	Accessory	Voltage	Description
MODULE:Control panel and switches						
11600	540943		LUX40			Electric components panel
11605	16037		LUX40			16A bipolar relay
11610	10708/B		LUX40			120" timer - 220Vac 60Hz
11610	10708/L		LUX40			120" timer
11610	10708/N		LUX40			90" timer with thermostop
11610	10708/T		LUX40			Timer 120" with thermostop
11615	16064/A		LUX40			Regeneration timer
11620	16037/D		LUX40			16A bipolar relay
11625	15149		LUX40			Low noise filter
11630	15086		LUX40			Contactora 230V 50/60Hz 4C
11635	15620		LUX40	cr,dp		Bipolar relay in deviation

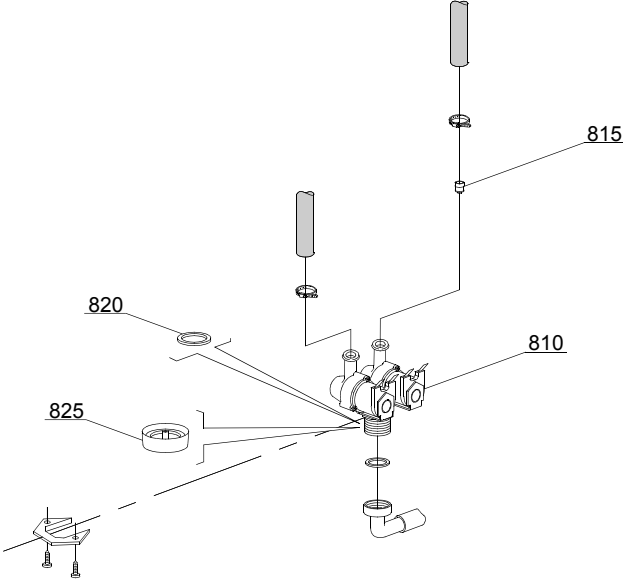


05\_002\_e

**Spare parts**

---

ID	P-code	Model	Type	Accessory	Voltage	Description
MODULE: Solenoid valve group						
700	10703		LUX40			Single solenoid valve
720	N.C.		LUX40			Pression reducing valve

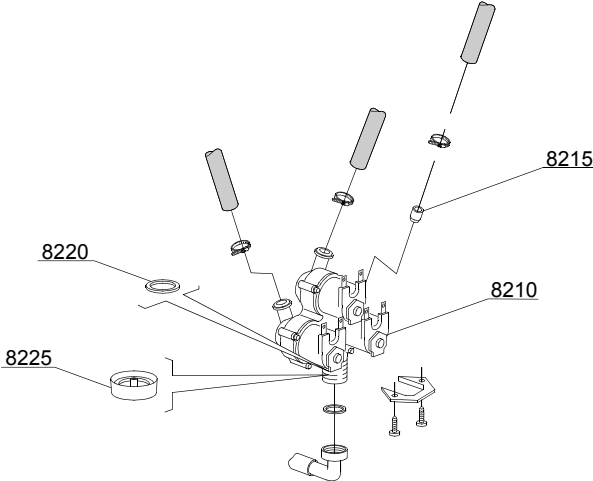


05\_003\_e

## Spare parts

---

ID	P-code	Model	Type	Accessory	Voltage	Description
MODULE: Solenoid valve group						
810	15098		LUX40	cr,ws		Double solenoid valve - Ø10
815	15115		LUX40	cr,ws		Green pression solenoid valve
820	N.C.		LUX40	cr,ws		Pression reducing valve



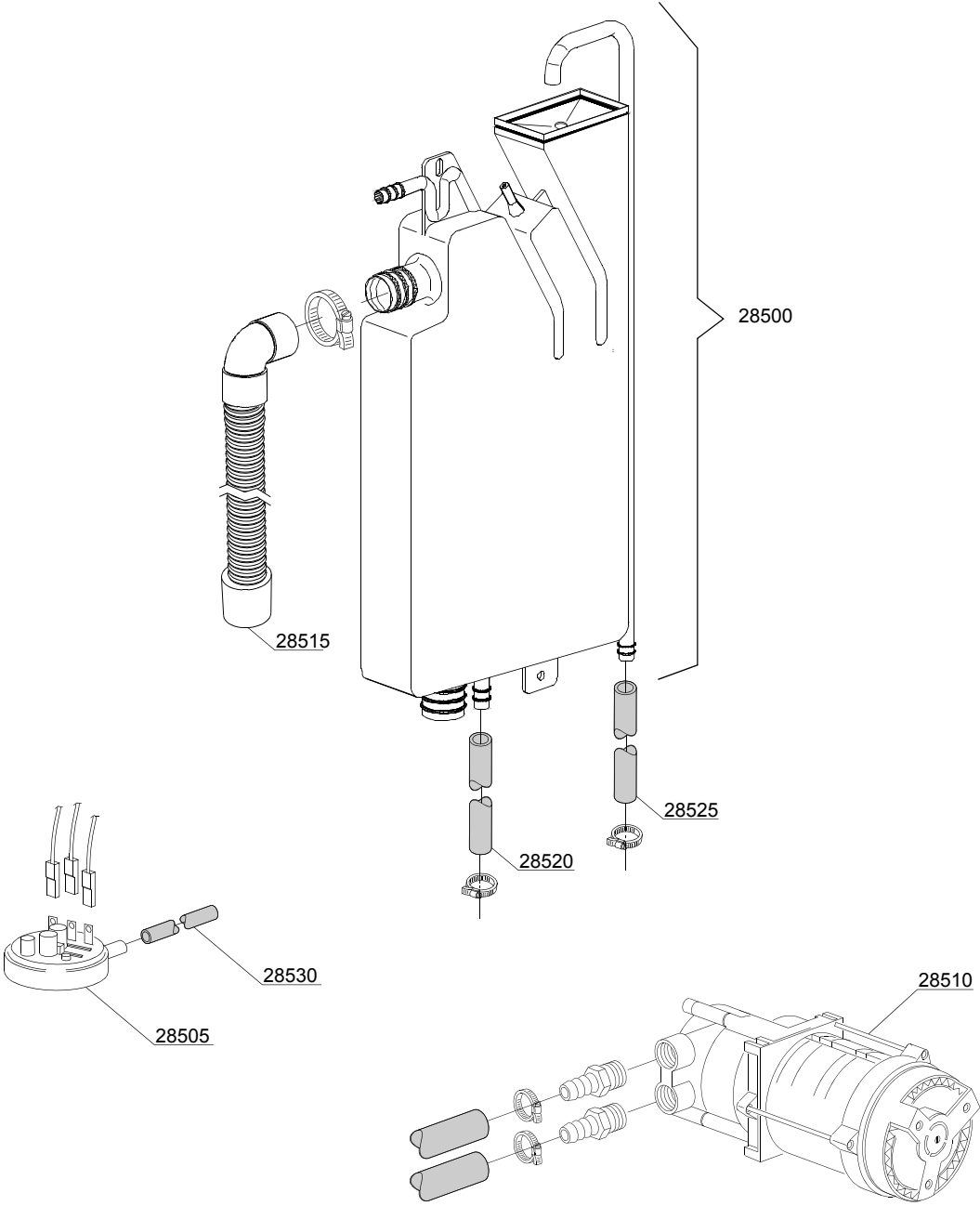
05\_004\_e

## Spare parts

---

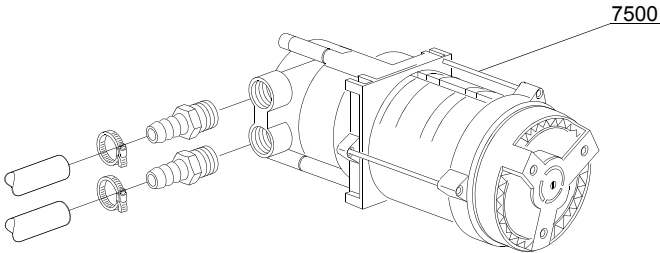
ID	P-code	Model	Type	Accessory	Voltage	Description
MODULE: Solenoid valve group						
8210	15099		LUX40	cr,ws		Triple solenoid valve
8215	15115		LUX40	cr,ws		Green pression solenoid valve
8220	N.C.		LUX40	cr,ws		Pression reducing valve

06\_004ae



## Spare parts

ID	P-code	Model	Type	Accessory	Voltage	Description
MODULE:Break Tank						
28500	15735		LUX40	bt		Break tank assembly
28505	10706/A		LUX40	bt		47-27 pressure switch
28510	15100/D		LUX40	bt		Booster pump 220-240/50
28515	15721		LUX40	bt		BT long pipe L=1070
28515	15722		LUX40	bt		BT middle pipe L=920
28515	15723		LUX40	bt		BT small pipe L=920
28520	2907350		LUX40	bt		12x20 EPDM rubber hose
28525	2907352		LUX40	bt		PVC WRAS rubber hose

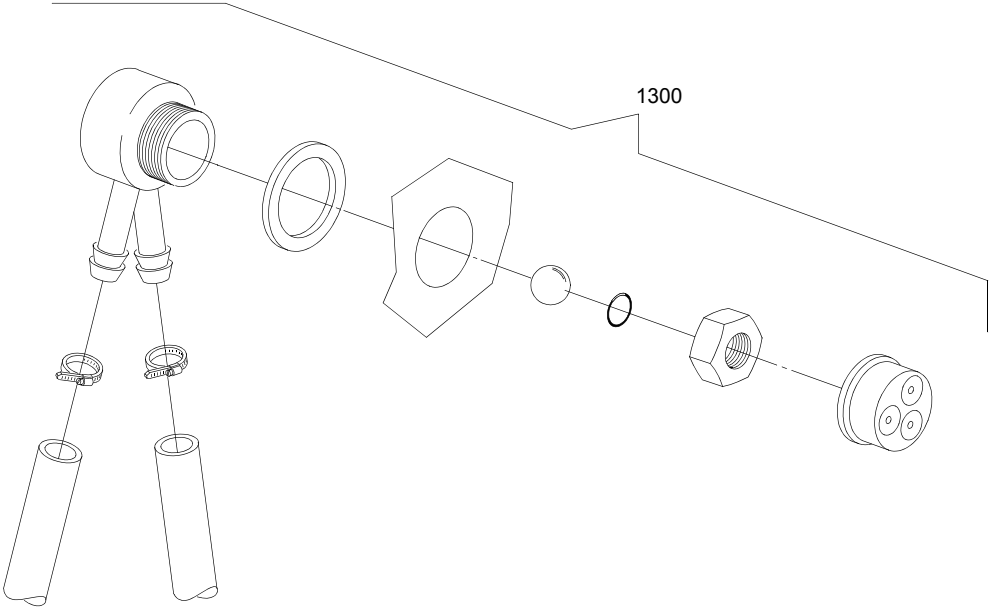


07\_003\_e

**Spare parts**

---

ID	P-code	Model	Type	Accessory	Voltage	Description
MODULE:Booster pump						
7500	15100/D		LUX40	bp		Booster pump 220-240/50



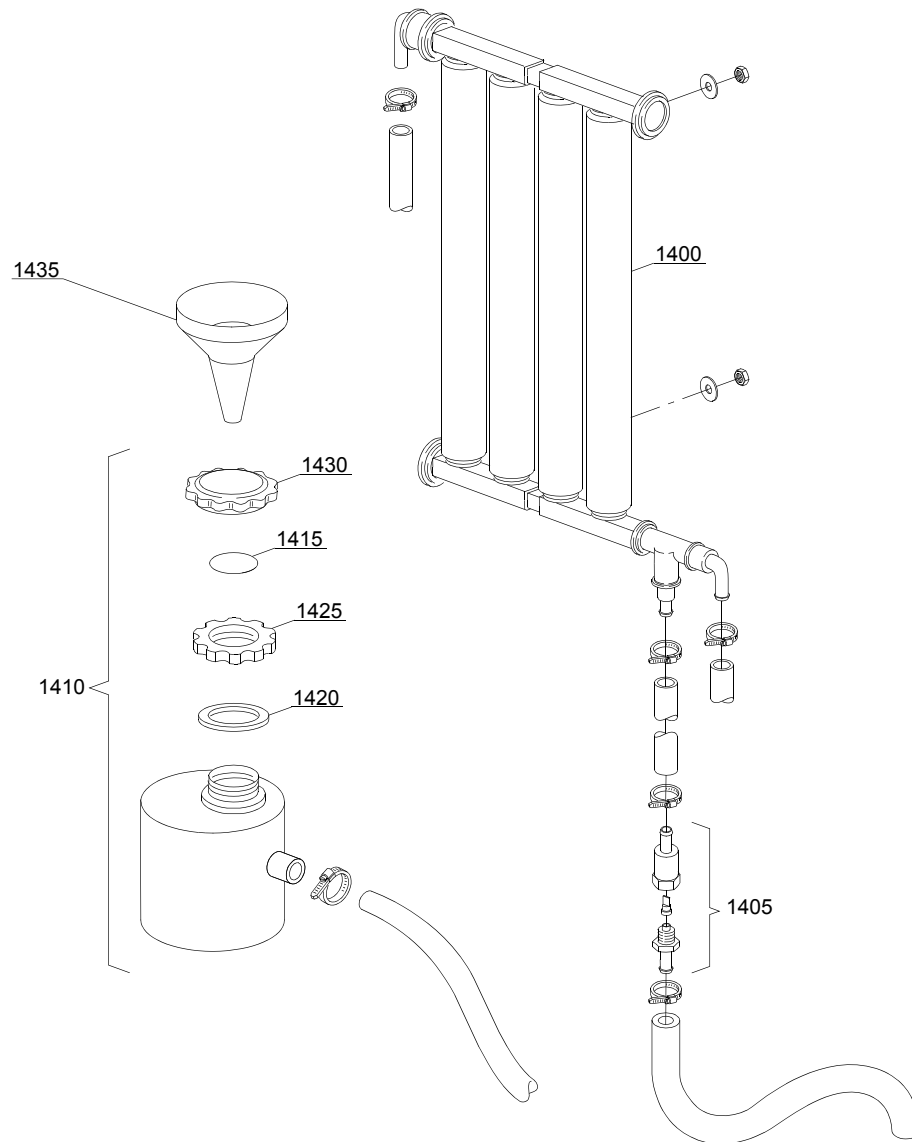
08\_005\_e

**Spare parts**

---

ID	P-code	Model	Type	Accessory	Voltage	Description
MODULE:DVGW						
1300	999900006		LUX40	dvgw		DVGW assembly

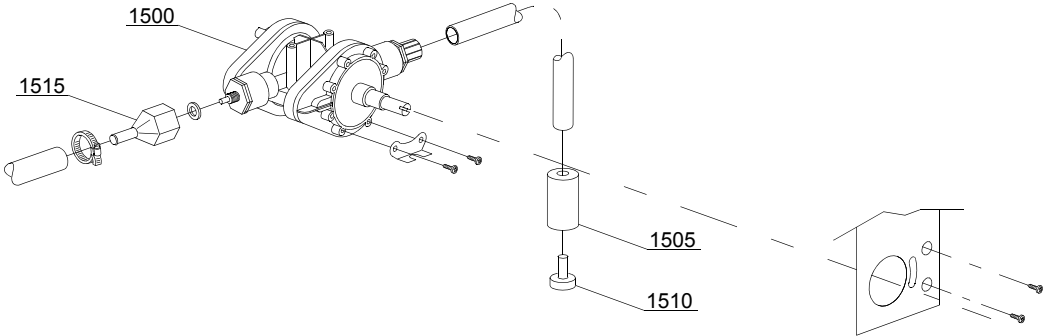
09\_001\_e



## Spare parts

ID	P-code	Model	Type	Accessory	Voltage	Description
MODULE:Water softner group						
1400	16066		LUX40	ws		4 elements water softner
1405	16070		LUX40	ws		Nonreturn valve
1410	16065		LUX40	ws		Salt container
1415	16067/A		LUX40	ws		OR O-ring
1420	16067/B		LUX40	ws		O-ring
1425	16067/C		LUX40	ws		Ring nut
1430	16067/D		LUX40	ws		Plug
1435	16082		LUX40	ws		Funnel

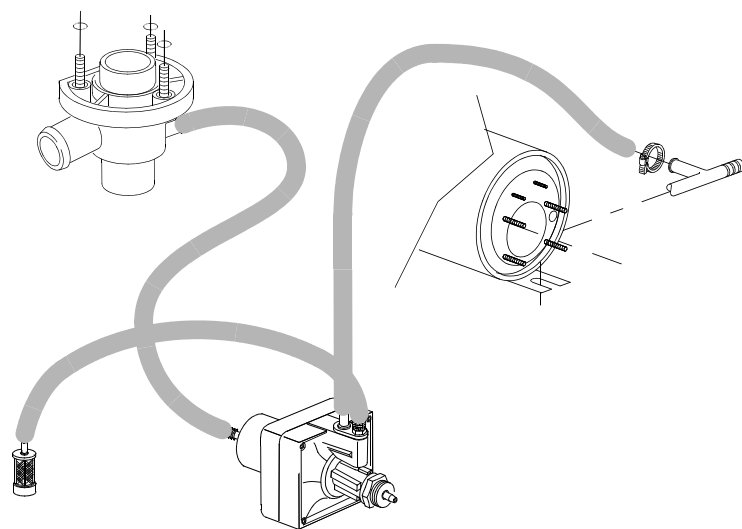
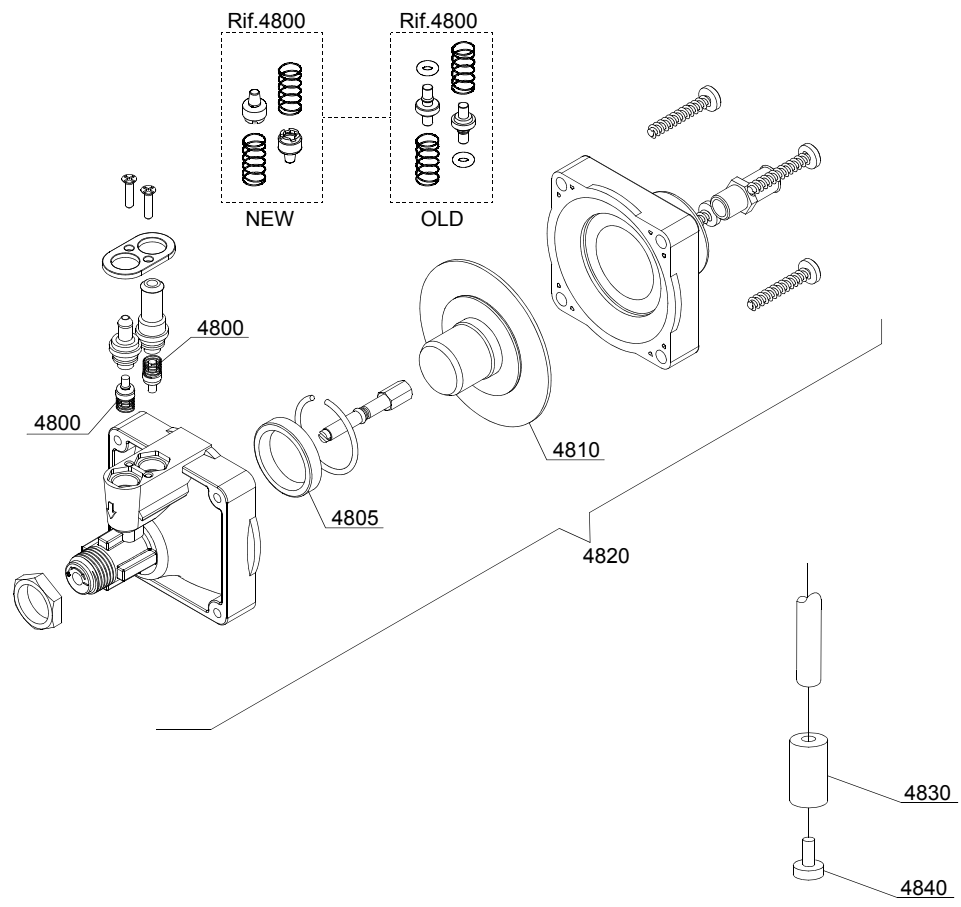
10\_002\_e



## Spare parts

---

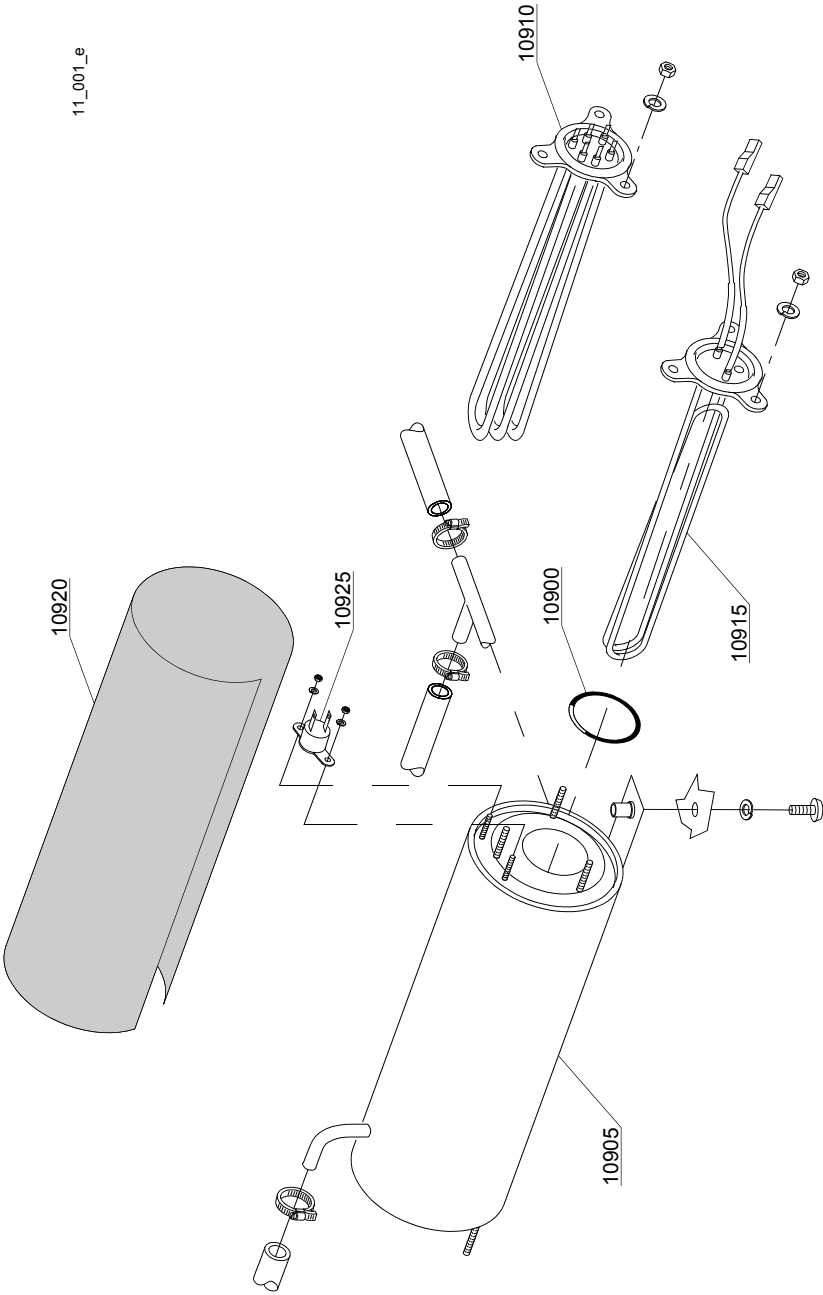
ID	P-code	Model	Type	Accessory	Voltage	Description
MODULE: Rinse aid dispenser group						
1500	10798		LUX40			Rinse aid dispenser
1505	12525		LUX40			Counter-weight
1510	15058		LUX40			Small filter
1515	10798/B		LUX40			Brass pipe fitting



10\_004\_e

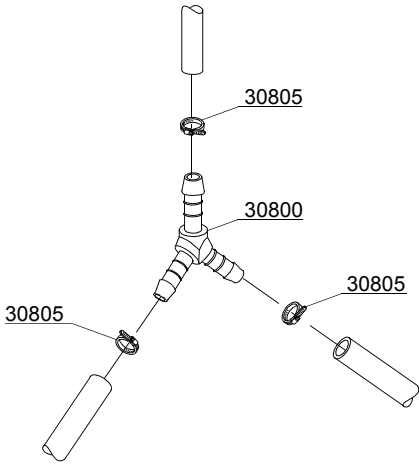
## Spare parts

ID	P-code	Model	Type	Accessory	Voltage	Description
MODULE: Rinse aid dispenser group						
4800	10805		LUX40			Tecnopro non return valve
4805	10806		LUX40			Ø22 O-ring
4810	10807		LUX40			Membrane
4820	10799		LUX40			Rinse aid dispenser
4830	12525		LUX40			Counter-weight
4840	15058		LUX40			Small filter



## Spare parts

ID	P-code	Model	Type	Accessory	Voltage	Description
MODULE:Boiler group						
10900	13010		LUX40			OR O-ring
10905	540006		LUX40			Boiler
10910	18215		LUX40			4/4,36KW 230/240/3 heating element
10915	18206/D		LUX40			2,8/3,05KW 230/240V heating element
10920	540040		LUX40			Insulation boiler
10925	15550		LUX40			Safety thermostat

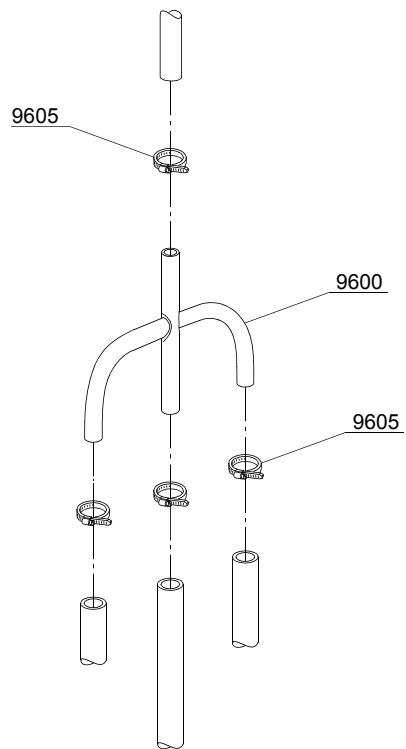


12\_003ae

## Spare parts

---

ID	P-code	Model	Type	Accessory	Voltage	Description
MODULE:3 ways connection						
30800	540090		LUX40	bt		Ø10 mm plastic 3 ways connection
30805	11807		LUX40			12/22 clamp



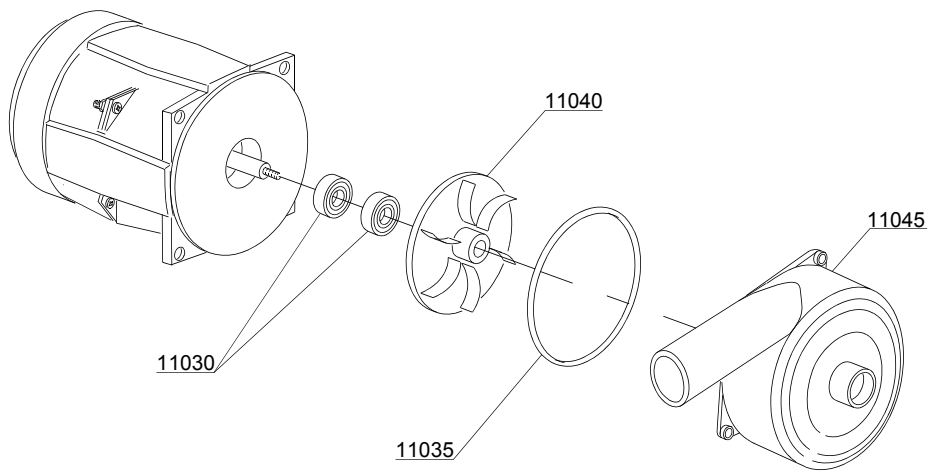
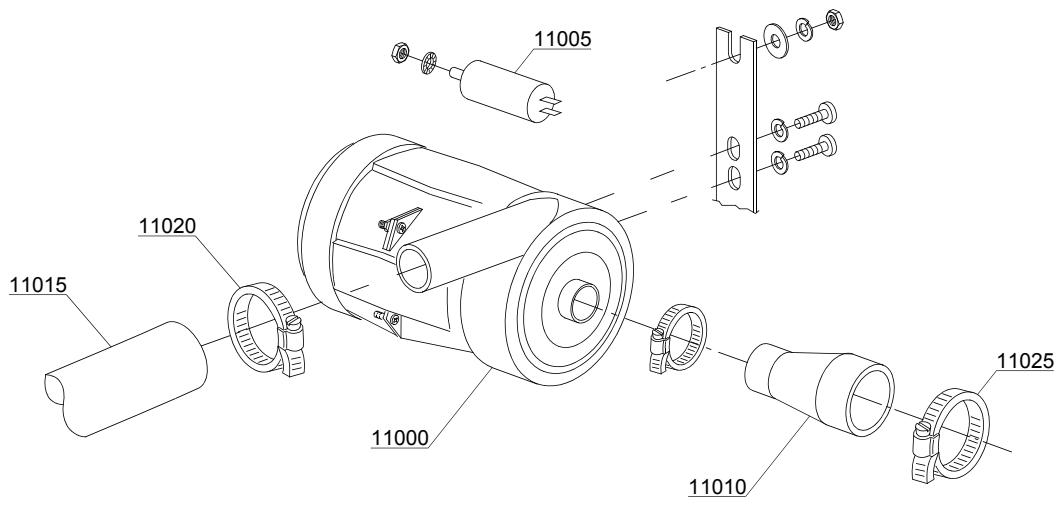
12\_004\_e

## Spare parts

---

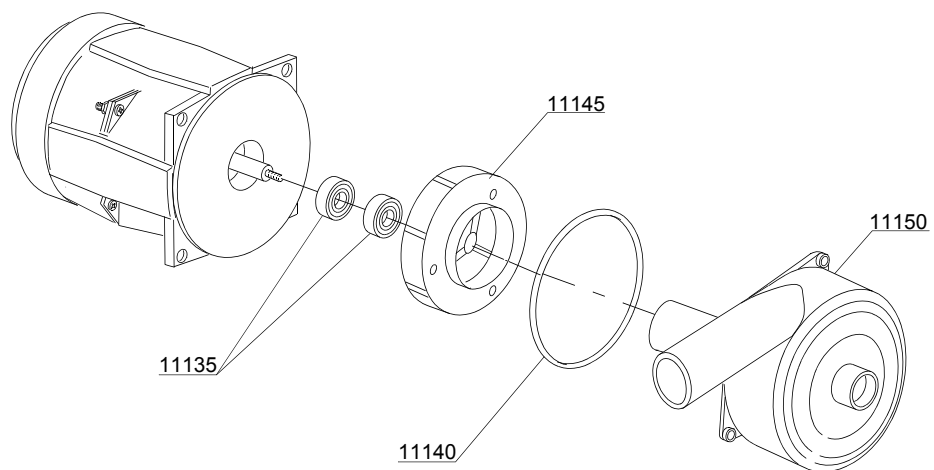
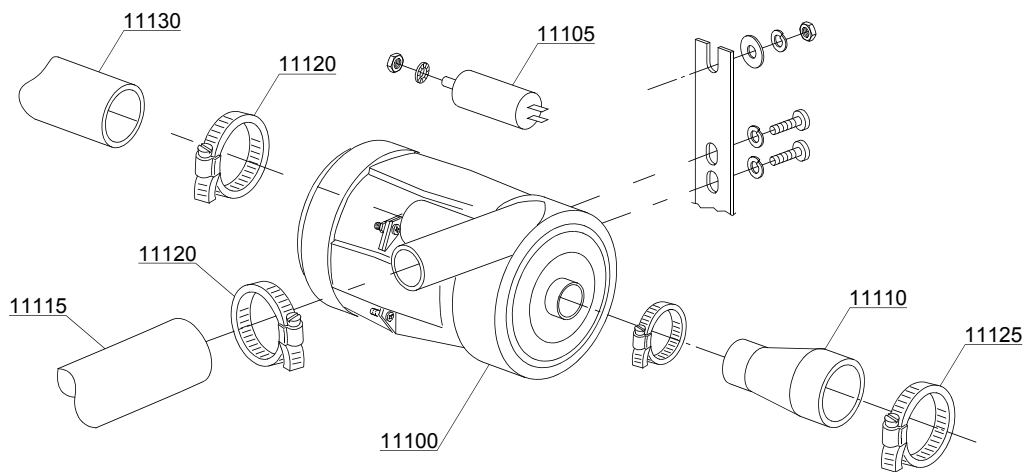
ID	P-code	Model	Type	Accessory	Voltage	Description
MODULE:4 ways connection						
9600	15151		LUX40			Ø10 mm 4 ways connection
9605	11807		LUX40			12/22 clamp

13\_001\_e



## Spare parts

ID	P-code	Model	Type	Accessory	Voltage	Description
MODULE:Wash pump						
11000	18243		LUX40		A	“CF” 0,33Hp wash pump
11005	18043		LUX40			10 uF condenser
11010	540005		LUX40			Suction pipe coupling
11015	16168		LUX40			Lower wash delivery pipe
11020	11806		LUX40			25/40 clamp
11025	11824		LUX40			50/70 clamp
11030	15080		LUX40			Rotating seals
11035	18245		LUX40			OR O-ring
11040	18246		LUX40			Pump rotor
11045	18248		LUX40			Scroll

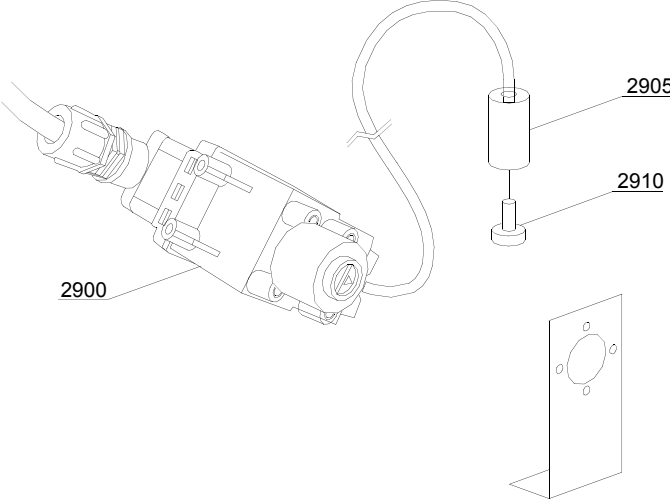
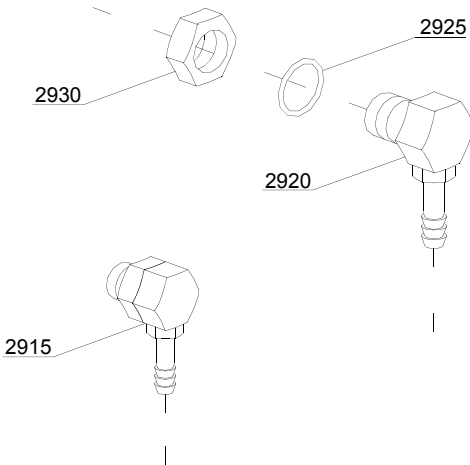


13\_101\_e

## Spare parts

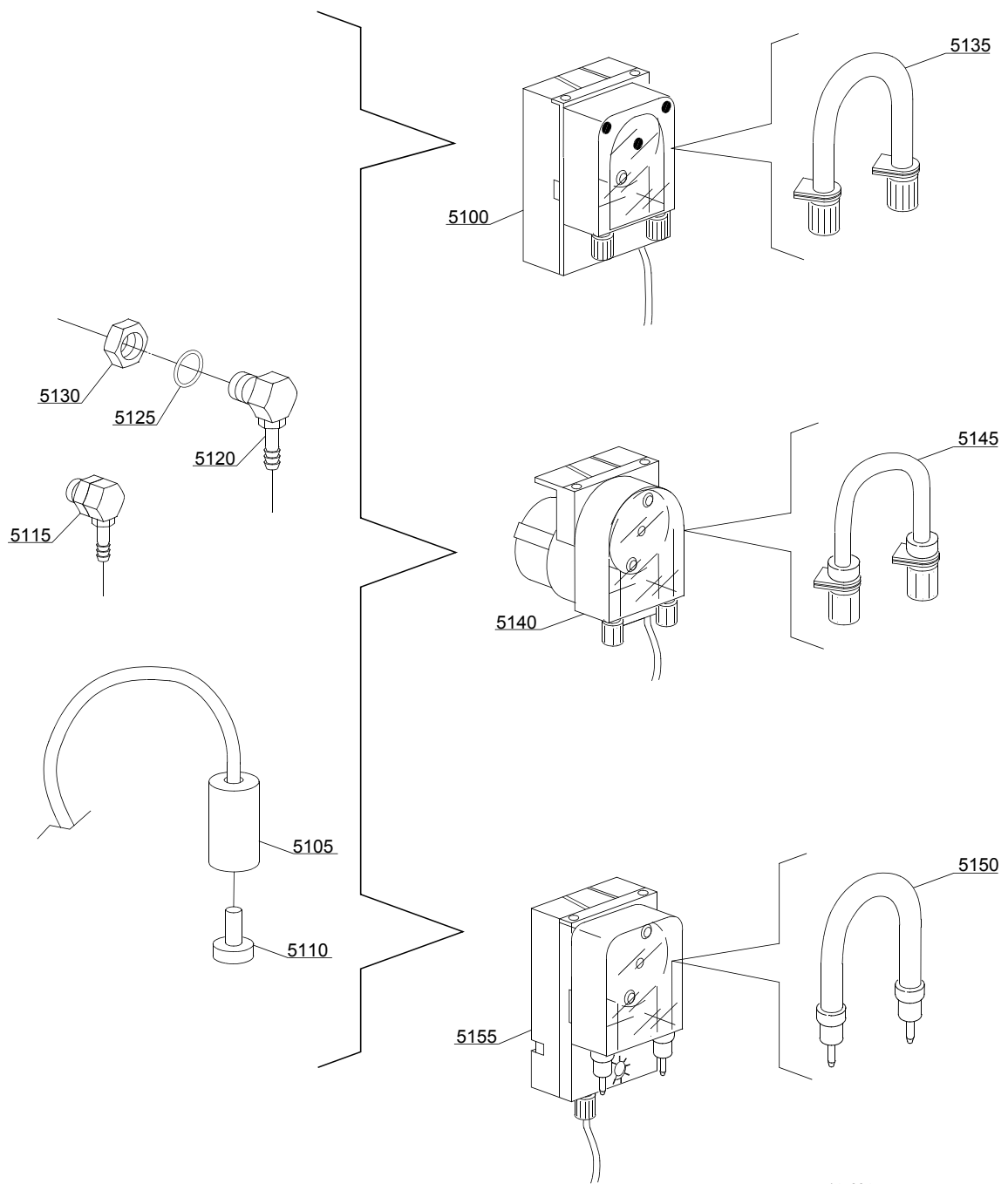
ID	P-code	Model	Type	Accessory	Voltage	Description
MODULE:Wash pump						
11100	18300		LUX40			"LS" 0,45Hp wash pump
11105	18043		LUX40			10 uF condenser
11110	540005		LUX40			Suction pipe coupling
11115	16168		LUX40			Lower wash delivery pipe
11120	11806		LUX40			25/40 clamp
11125	11824		LUX40			50/70 clamp
11130	540004		LUX40			Top delivery pipe
11135	15080		LUX40			Rotating seals
11140	18245		LUX40			OR O-ring
11145	18246		LUX40			Pump rotor
11150	18247		LUX40			Scroll

14\_002\_e



## Spare parts

ID	P-code	Model	Type	Accessory	Voltage	Description
MODULE:Dosing detergent group						
2900	15108/L		LUX40	dd		Lang detergent pump
2905	12525		LUX40	dd		Counter-weight
2910	15058		LUX40	dd		Small filter
2915	15123		LUX40	dd		Compleat plastic injector
2920	15148		LUX40	dd		Steel injector
2925	15159		LUX40	dd		OR O-ring
2930	10200205		LUX40	dd		M12x1 stainless steel nut

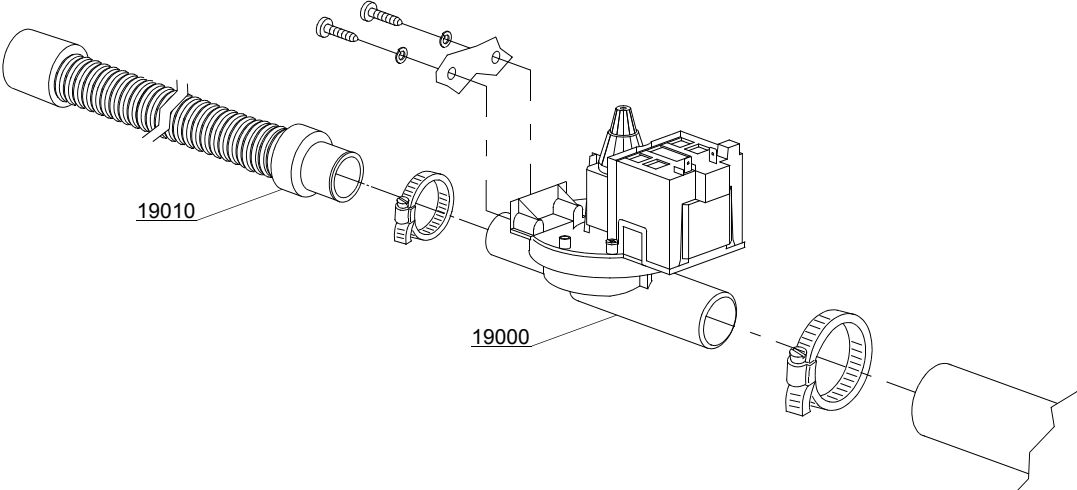


14\_004\_e

## Spare parts

ID	P-code	Model	Type	Accessory	Voltage	Description
MODULE:Dosing detergent group						
5100	15985		LUX40	dd		Seko detergent pump
5105	12525		LUX40	dd		Counter-weight
5110	15058		LUX40	dd		Small filter
5115	15123		LUX40	dd		Compleat plastic injector
5120	15148		LUX40	dd		Steel injector
5125	15159		LUX40	dd		OR O-ring
5130	10200205		LUX40	dd		M12x1 stainless steel nut
5135	15185		LUX40	dd		Ø 10 Seko thermoplastic pipe
5140	15985		LUX40	dd		Germac detergent pump
5145	15108/E		LUX40	dd		Ø 8 Germac thermoplastic pipe
5150	15985/A		LUX40	dd		Ø 10 PLAS CONT thermoplastic pipe
5155	15985		LUX40	dd		PLAS CONT detergent pump

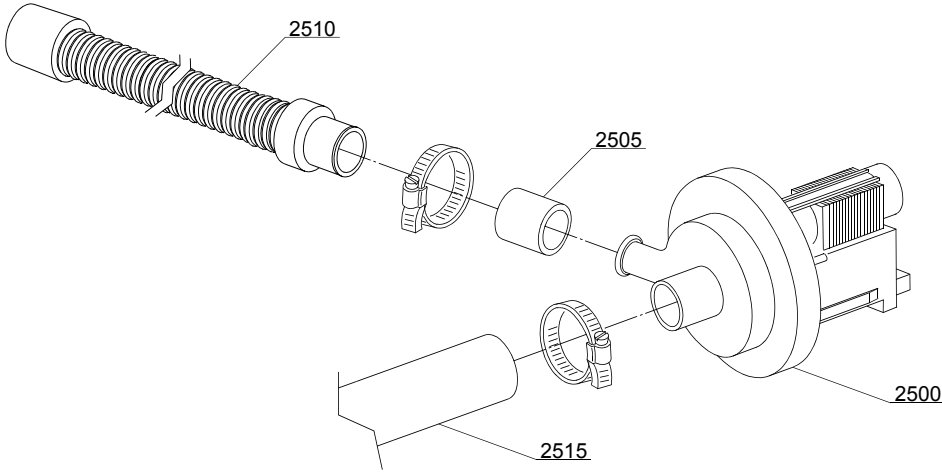
15\_002\_e



## Spare parts

---

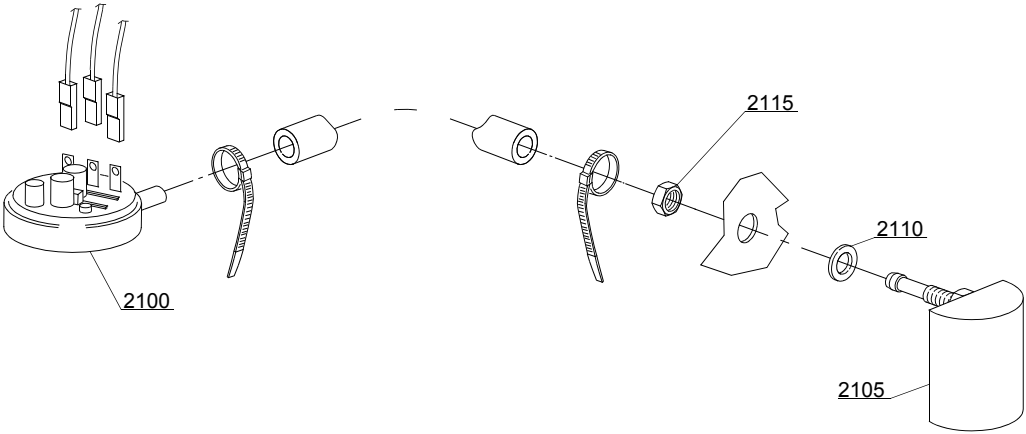
ID	P-code	Model	Type	Accessory	Voltage	Description
MODULE:Drain pump group						
19000	15101/A		LUX40	dp	A	Drain pump - 50Hz
19010	10727		LUX40	dp		Drain pipe



15\_004ce

## Spare parts

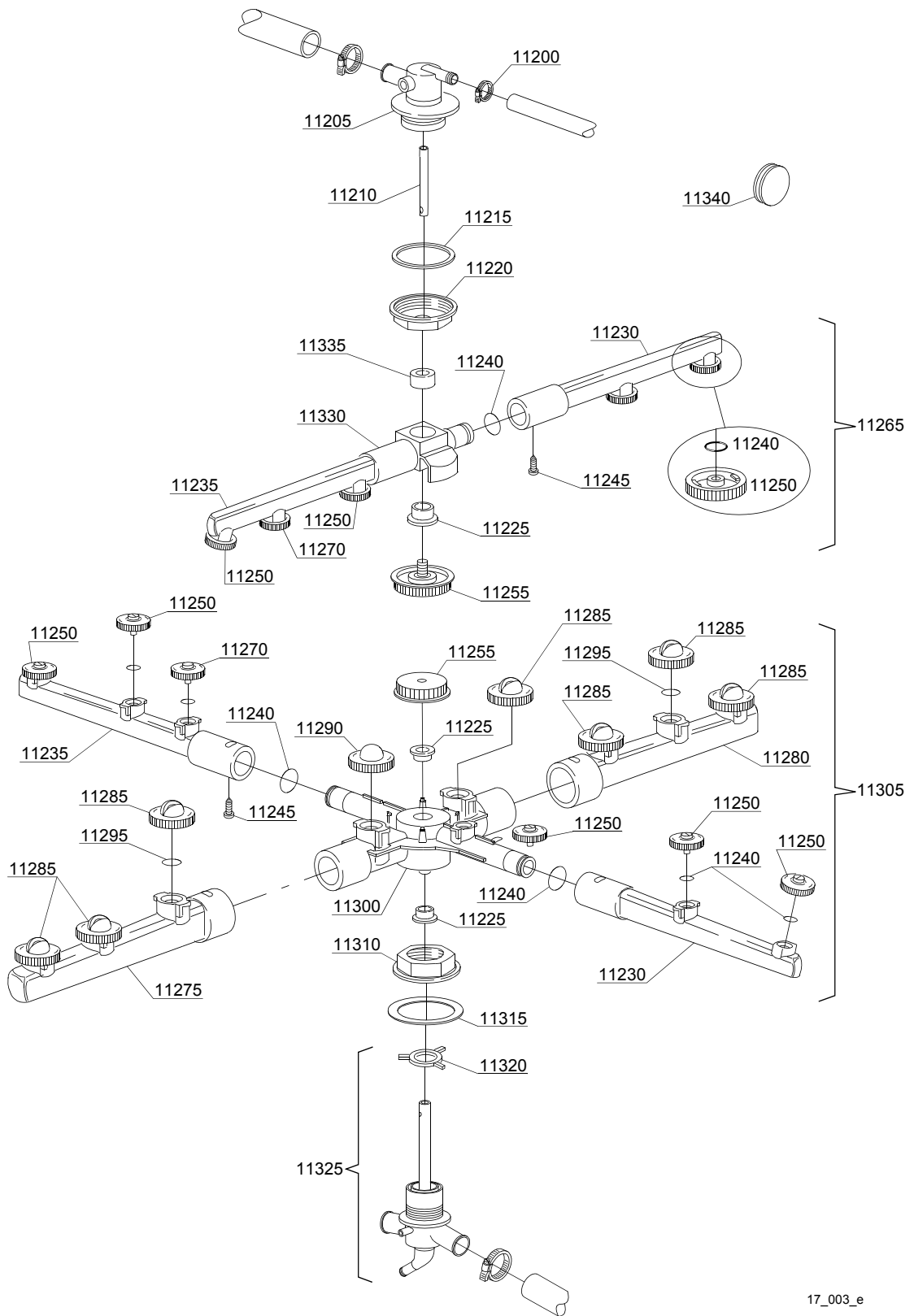
ID	P-code	Model	Type	Accessory	Voltage	Description
MODULE:Drain pump group						
2500	15101		LUX40	dp		Drain pump 220/240V 50Hz
2505	15101/D		LUX40	dp		Pipe fitting
2510	10727		LUX40	dp		Drain pipe
2515	18044		LUX40	dp		Ø28 top wash pipe



16\_001\_e

## Spare parts

ID	P-code	Model	Type	Accessory	Voltage	Description
MODULE:Pressure switch group with air trap						
2100	10706/A		LUX40			47-27 pressure switch
2105	10911/B		LUX40			Air trap assembly
2110	13301		LUX40			O-ring
2115	11702		LUX40			M8 stainless steel nut



17\_003\_e





