

541081500 (12DX)
541081600 (12SX)

541072000

544263500

541070300

544263600

544262100

533044800

541067600

536000200

536016000

536001000

533010300

536012200

531034400

541069600

51262000

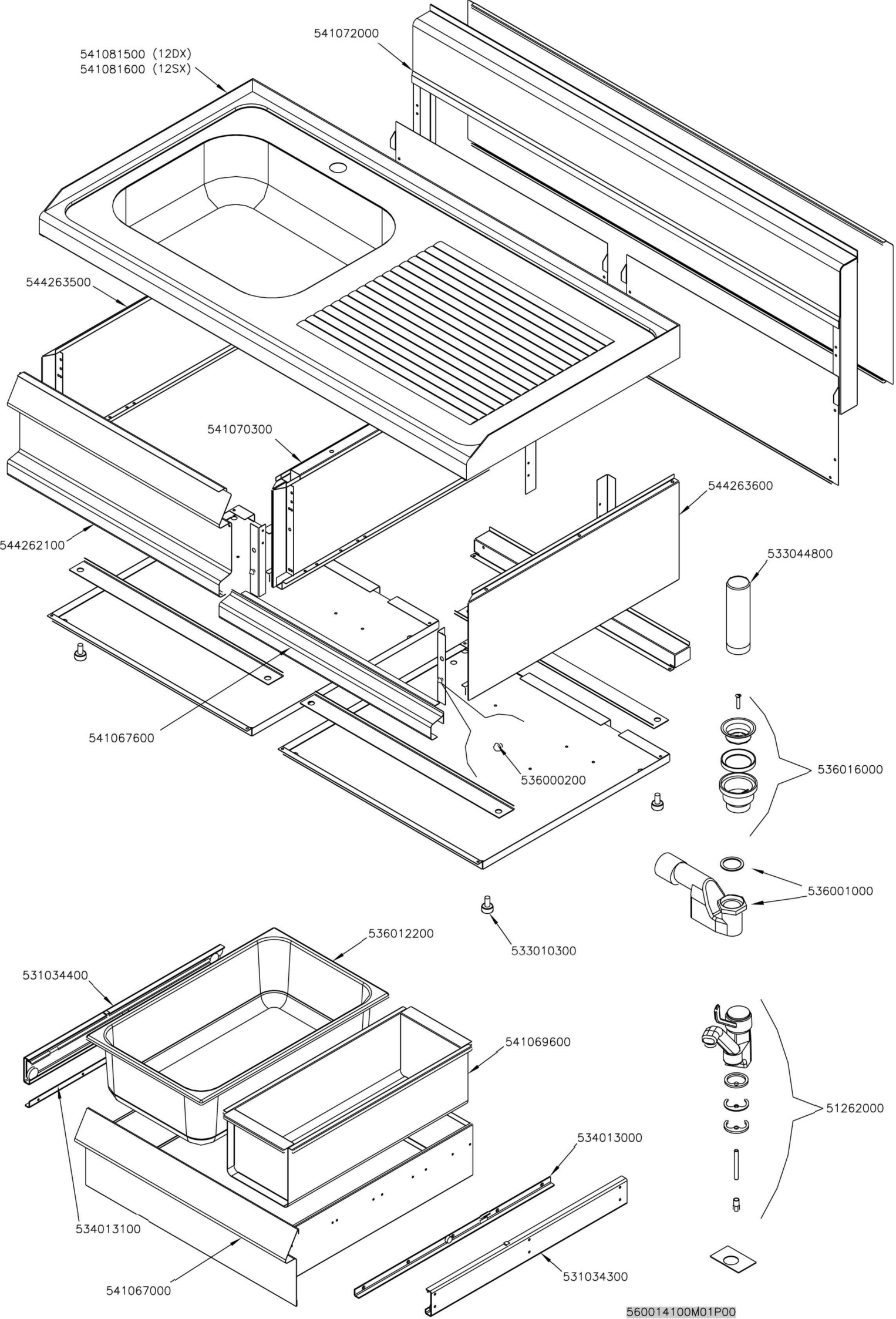
534013100

534013000

541067000

531034300

560014100M01P00



Page	Pos	Code	Description
001		541072000	NEUTRAL SPACER 12
001		541081600	UPPER PLATE LA/LL-12SX
001		544263500	RIGHT SIDE S.65
001		541070300	SIDE PL-10
001		544263600	LEFT SIDE S.65
001		544262100	CONTROL PANEL LA-6
001		533044800	OVERFLOW D.47 H.160 65LINE
001		541067600	FIXED CONTROL PANEL PL-6
001		536000200	D.12 H.4 BUMPER
001		536016000	DRAIN GRID D.49 SNACK 65
001		536001000	DRAIN FOR SINK
001		533010300	ADJUSTABLE FOOT M10*20 D.23
001		536012200	PLASTIC CONTAINER GN 1/1 H.150
001		531034400	LHD TELESCOPIC GUIDE
001		541069600	CONTAINER MC/PL-6
001		51262000	GL LEVER TAP FOR SINK
001		534013000	RHD "Z" TELESCOPIC GUIDE DS50 L550
001		534013100	LHD "Z" TELESCOPIC GUIDE DS50 L550
001		531034300	RHD TELESCOPIC GUIDE
001		541067000	DRAWER PL-6