

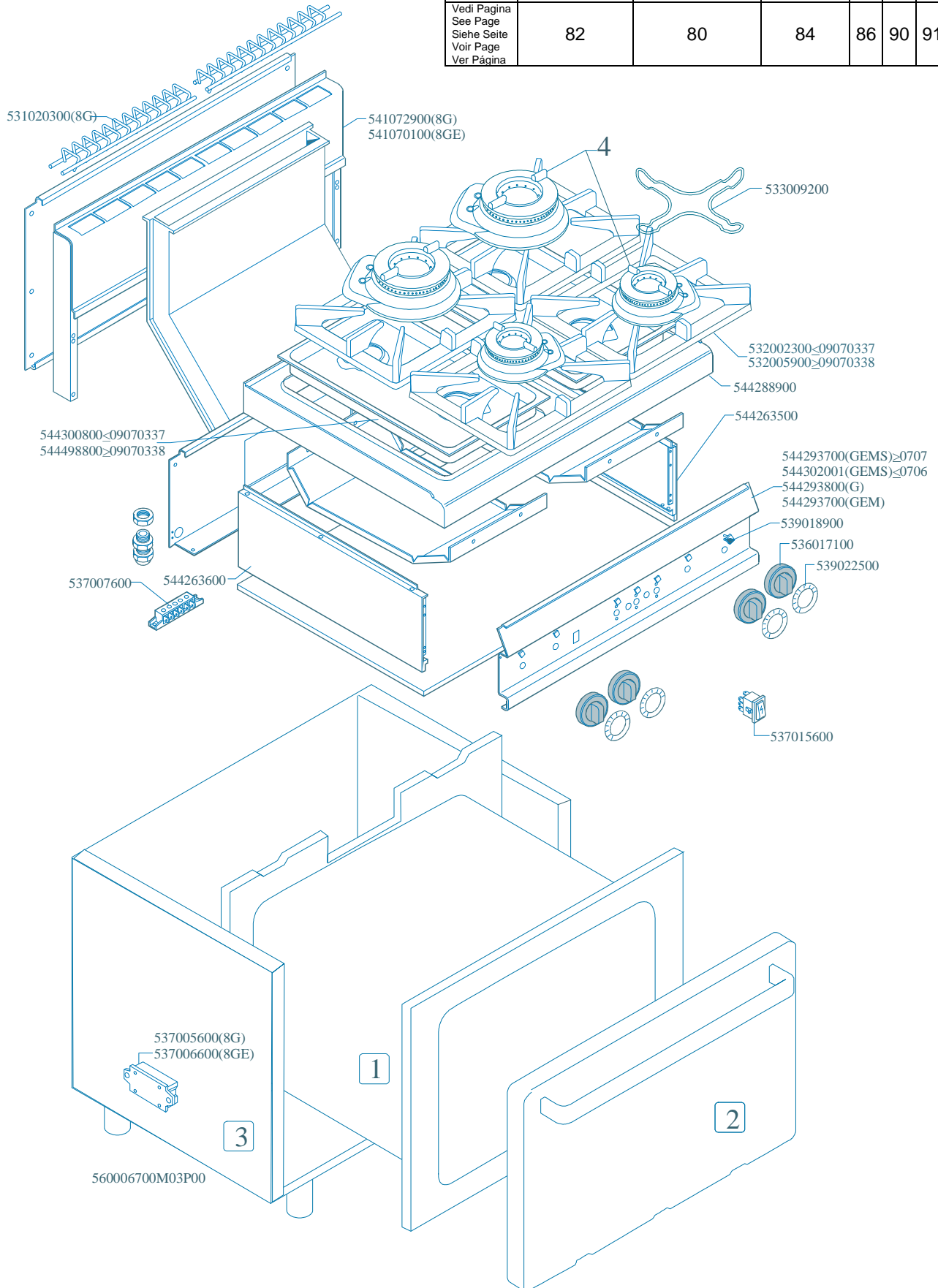
MAGIC PROF 65

CUCINE / RANGES / HERDE / CUISINIÈRES / N° ≥0309

CF...-8...

CF4-8G CF4-8GEM CF4-GEMS

	1CF4-8GEM	1CF4-8GEMS	1CF4-8G	2	3	4
Vedi Pagina See Page Siehe Seite Voir Page Ver Pàgina	82	80	84	86	90	91

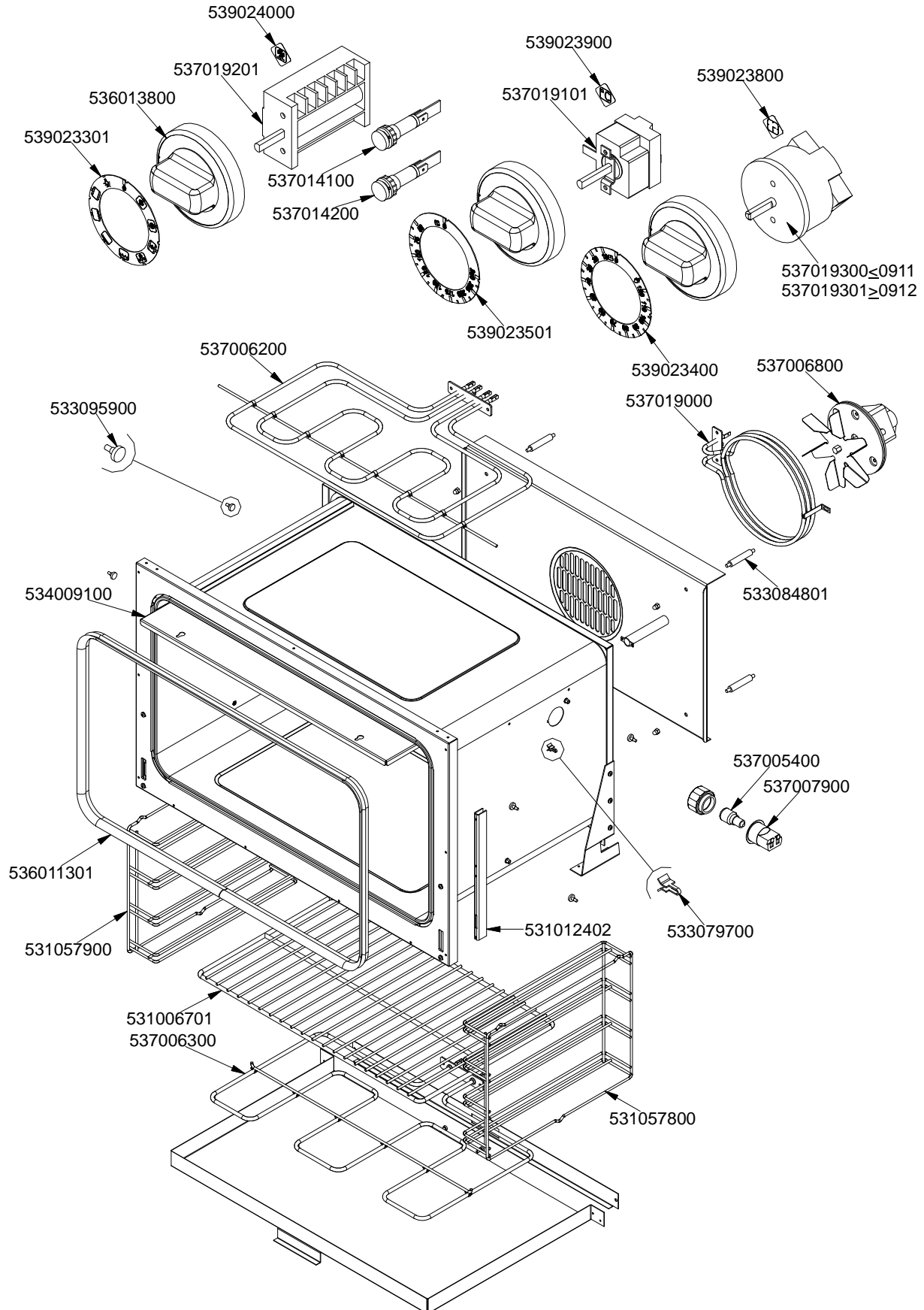


MAGIC PROF 65

CUCINE / RANGES / HERDE / CUISINIÈRES / N° ≥0309

FORNO / OVEN / BACKOFEN / FOUR

MULTIFUNZIONE ELETTRICO / MULTIFUNCTION ELECTRIC / MULTIFUNKTIONS
ELEKTRO / ELECTRIQUE A FONCTIONS MULTIPLES ≥0706



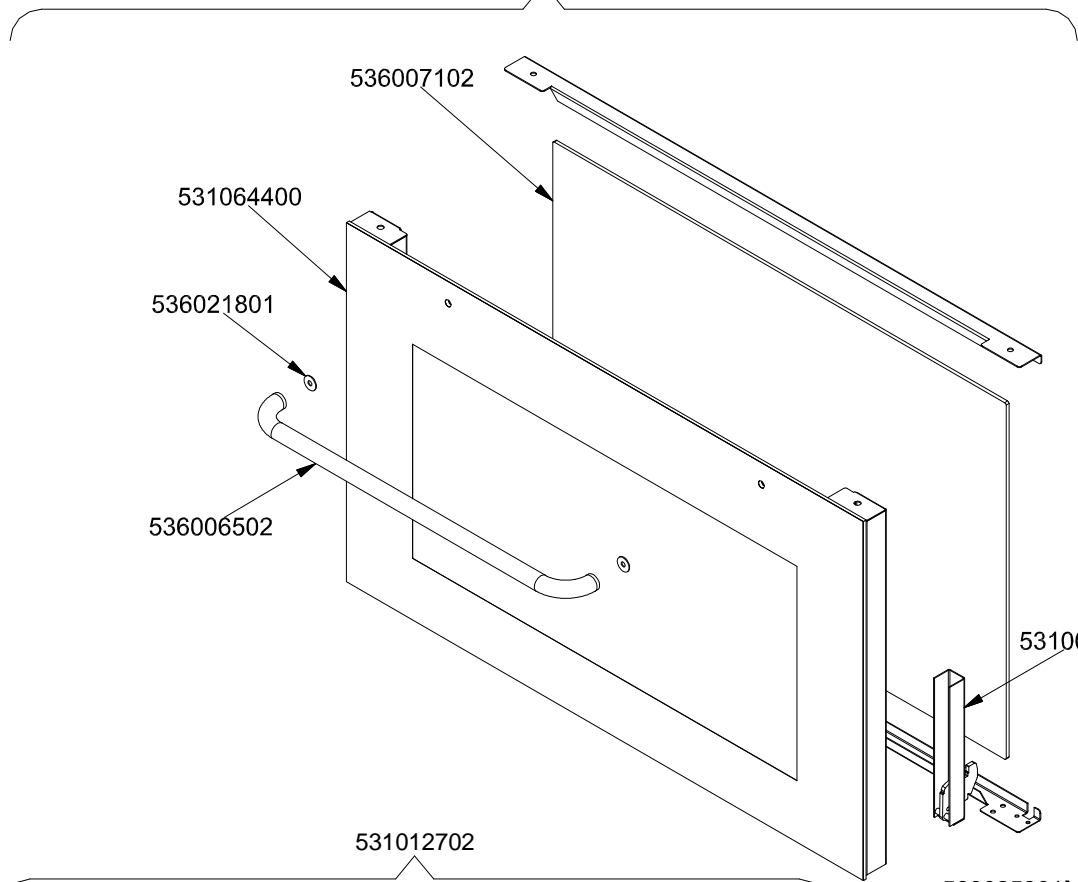
560003802M00P00.

MAGIC PROF 65

CUCINE / RANGES / HERDE / CUISINIÈRES / N° ≥ 0309
FORNO / OVEN / BACKOFEN / FOUR

PORTE / DOORS / TÜREN / PORTES ≥ 0706

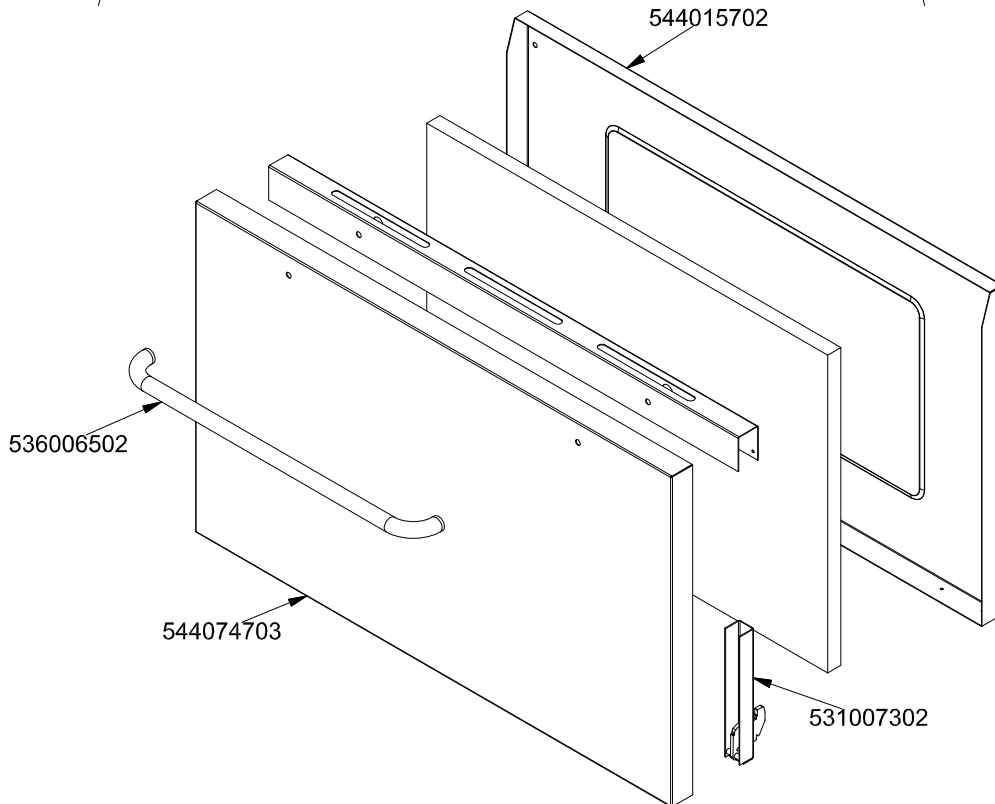
531009602



560025301M00P00

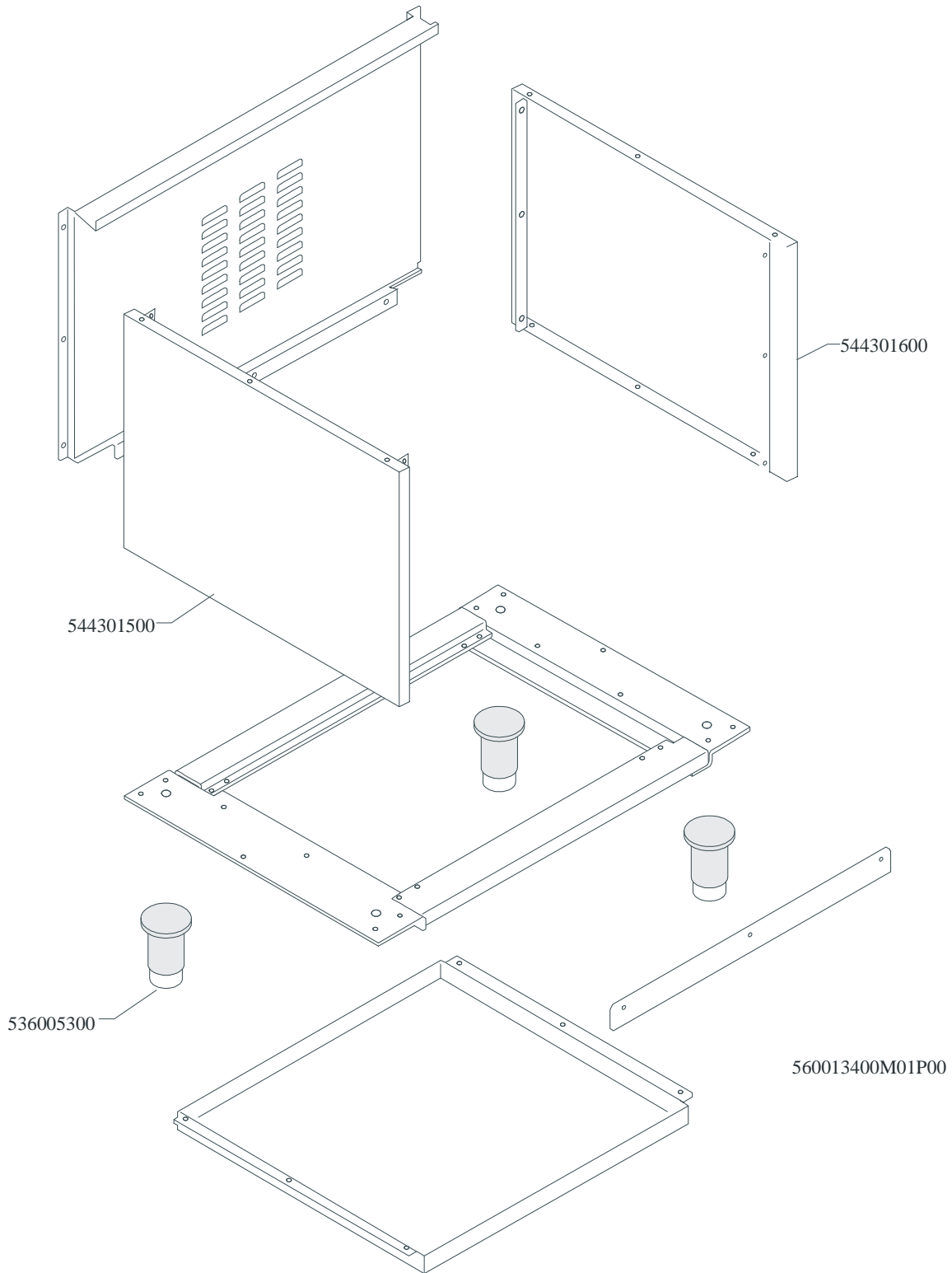
531012702

544015702



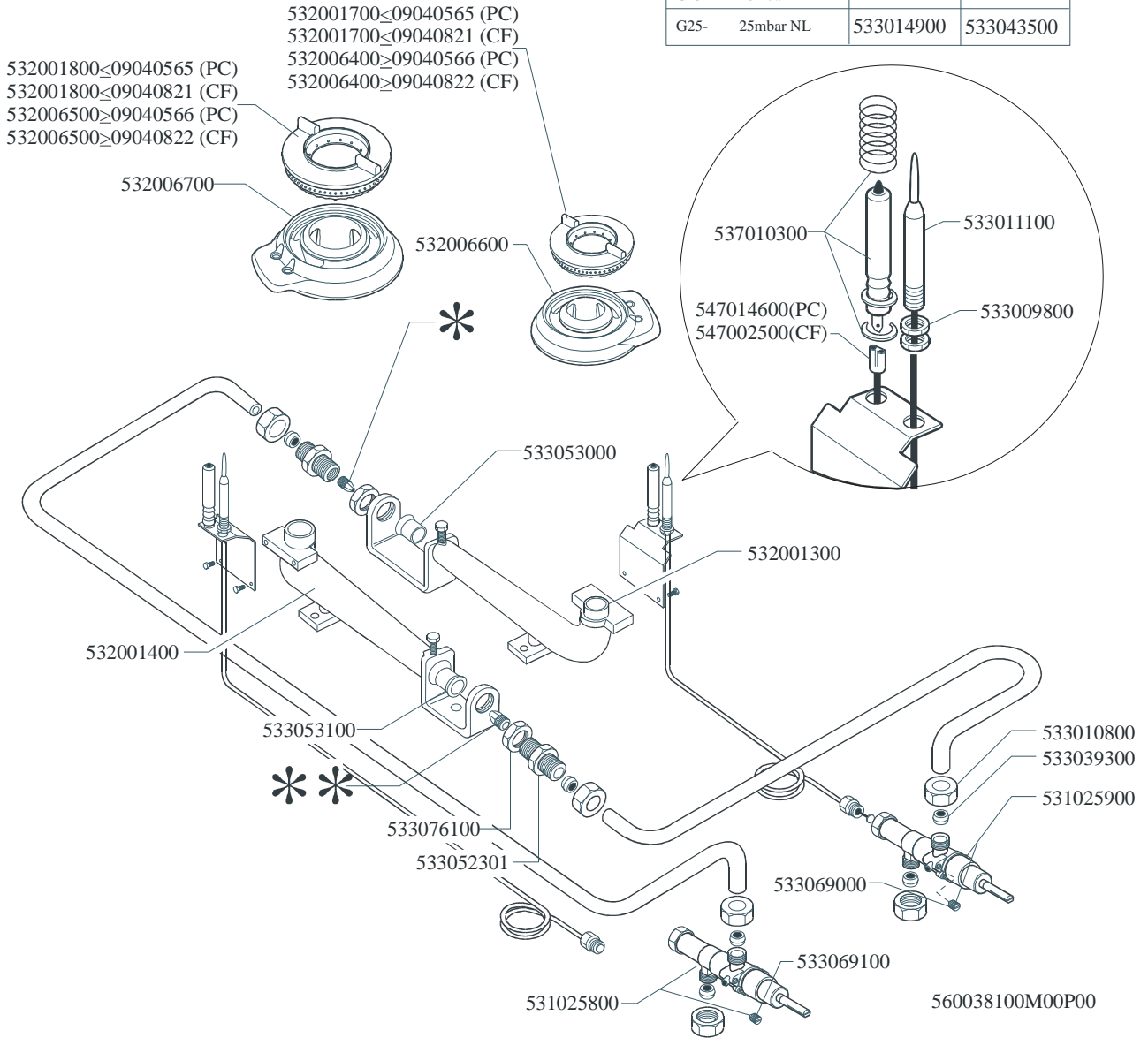
560025402M00P00

CF



PC

	*	**
G30- 28+30mbar G31- 37mbar	533015400	533043400
G30- 50mbar	533015300	533043300
G20- 20mbar G25- 25mbar	533015200	533019400
G25- 20mbar	533030300	533043600
G25- 25mbar NL	533014900	533043500



Page	Pos	Code	Description
001		541070100	NEUTRAL SPACER 8
001		533009200	REDUCTION FOR 65 AND 70 LINE
001		532002300	1 FLAME GRILL 346X274 (70)
001		532005900	1 FLAME GRILL 346X274 (70) * RAF
001		544288900	UPPER PLATE PC-8G
001		544263500	RIGHT SIDE S.65
001		544300800	ENAMELLED BURNER DRIP PAN 1/1
001		544498800	
001		544293700	CONTROL PANEL CF4-8GEM
001		539018900	INDEX FOR KNOB
001		544263600	LEFT SIDE S.65
001		536017100	BLACK KNOB §70 PIN §8*6,5
001		539022500	ADHESIVE GRADUATED DISC FOR KNOB
001		537007600	TERMINAL BLOCK SINGLEPHASE 40A
001		537015600	BIPOLAR SWITCH
001		537006600	IGNITION UNIT 4 FLAMES V230
002		539024000	SIGN PLATE FOR OVEN SELECTOR
002		539023800	SIGN PLATE FOR OVEN TIMER
002		539023900	SIGN PLATE FOR OVEN TEMPERATURE
002		537019101	THERMOSTAT MONOPHAS.050-320°C F.MF
002		537019201	OVEN COMMUTATOR MULTIF.60+65
002		536013800	KNOB D.70 BLACK 6*5 WITH SPRING
002		537006800	FAN 240V CF-62
002		539023301	ADHESIVE GRADUATED*EL.MULTIF.COMM.
002		537014100	WHITE WARNING LIGHT 250V
002		537014200	GREEN WARNING LIGHT 250V
002		537019300	TIMER FOR MULTIFUNCTION OVEN
002		537019301	
002		539023501	ADHESIVE GRAD.DISC *E.MULTIF.TERM.
002		537006200	UPPER OVEN HEATING EL.1000+2000W
002		533084801	PANEL SPACER OF AIR DIFF.MAXI OVEN
002		533095900	PIN FOR GRIDSHOLDER SUPPORT CF 60
002		534009100	GRILL PROTECTION CF-8/10
002		539023400	ADHESIVE GRADUATED DISC F.KNOB
002		537005400	OVEN BULB 15W 300°C
002		537007900	OVEN BULB-SOCKET
002		536011301	OVEN GASKET CF-8/10 *FE*
002		537019000	CIRCULAR HEATING ELEMENT FOR OVEN
002		531012402	DOOR WHEEL HOLDER FOR MAXI OVEN
002		531057900	LHD GRIDS HOLDER FOR MAXI-OVEN
002		531057800	RHD GRIDS HOLDER FOR MAXI-OVEN
002		531006701	MAXI OVEN GRID FOR S60/65
002		537006300	LOWER OVEN HEATING EL.W1750 230CF8/
002		533079700	LOCK SPRING FOR BULB §3/§4
003		531009602	GLASS DOOR FOR MAXI OVEN OF 600LINE
003		536007102	
003		531064400	EXTERNAL GLASS MAXI OVEN DOOR+FRAME
003		536021801	DOOR HANDLE SPACER FOR MAXI OVEN
003		536006502	OVEN DOOR HANDLE 60LINE AL.
003		531007302	DOOR HINGE FOR MAXI OVEN 60.LINE
003		531012702	STAINLESS STEEL OVEN DOOR 60 LINE

Page	Pos	Code	Description
003		544074703	S/S MAXI OVEN DOOR PANEL
004		544301600	RIGHT SIDE FOR 65 RANGE
004		544301500	LEFT SIDE FOR 65 RANGE
004		536005300	PLASTIC LED 2"
005		532006700	BURNER BODY 5,5 KW WITH PLUG
005		532006600	BURNER BODY 3,5 KW WITH PLUG
005		537010300	PLUG IGNITION WITH SPRING PC65
005		533011100	THERMOCOUPLE 600 M8*1
005		533009800	BRASS NUT M8*1
005		547002500	HIGH-VOLT.WIRE 2,8X0,5 F2,8X0,8L600
005		533053000	AIR ADJUSTMENT BUSHING §18
005		532001300	BURNER VENTURI 3,5 KW
005		532001400	BURNER VENTURI 5,5 KW
005		533053100	AIR ADJUSTMENT BUSHING §20
005		533076100	HEXAGONAL NUT M14X1 H4 + BUSHING
005		533052301	JOINT FOR NOZZLE HOLDER
005		533010800	TUBE NUT D.10 M16*1,5
005		533039300	BICONE §10
005		531025900	SAFETY TAP 20S-B PEL20S21070
005		533069000	BY PASS COCK §70 20S-21S
005		533069100	BY PASS COCK §60 20S
005		531025800	SAFETY TAP 20S-B PEL20S2160
005		532006500	QUICKBURNER 2 RING Ø102 3 Z
005		532001800	QUICKBURNER §102
005		532006400	QUICKBURNER 2 RING Ø082 3 Z
005		532001700	QUICKBURNER §82
005		533015400	NOZZLE §93 CH12*14 G-PC4 R
005		533043400	NOZZLE §117 CH12*14 G-PC4 UR
005		533015300	NOZZLE §82 CH12*14 F-PC4 R
005		533043300	NOZZLE §103 CH12*14 F-PC4 UR
005		533015200	NOZZLE §145 CH12*14 F-FP/CP6
005		533019400	NOZZLE §180 CH12*14 L-FQ5
005		533030300	NOZZLE §160 CH12*14 M-FPG
005		533043600	NOZZLE §200 CH12*14 L-PC4 UR
005		533014900	NOZZLE §150 CH12*14 F-FQ5 L-FQ6
005		533043500	NOZZLE §190 CH12*14 G25 PC4R