

SLD150

This parts list contains the part numbers for all SLD150 Cube Ice Dispensers.

There have been two basic models:

- SLD150-1 was manufactured up to September 1996.
- SLD150-1B manufacturing began in October 1996.

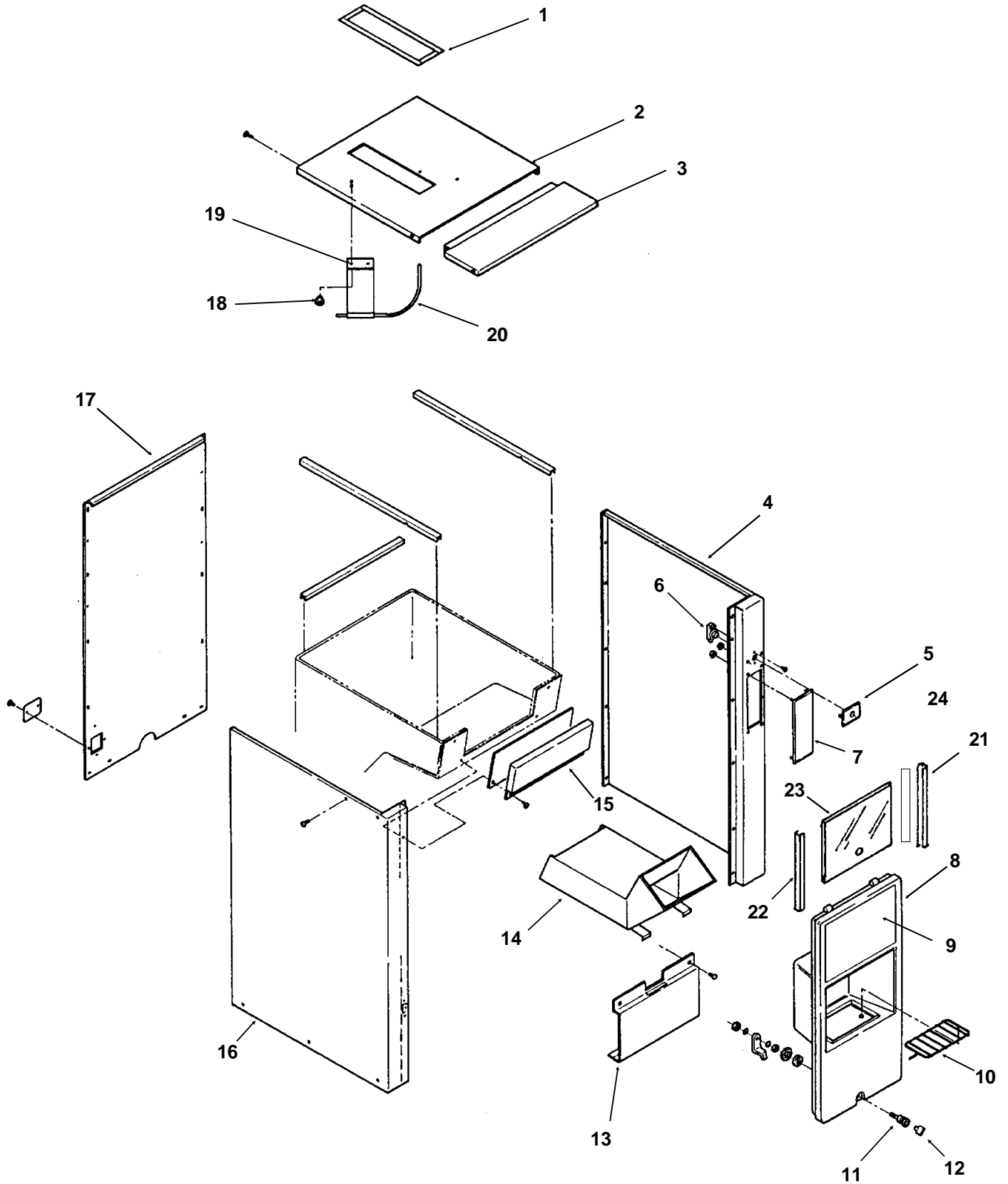
They have completely different dispensing mechanisms. **Be sure to check the complete model number before ordering the part.**

Table of Contents

| | |
|---------------------------------------|---------|
| SLD150-1B Cabinet | page 2 |
| SLD150-1 Cabinet | page 4 |
| SLD150-1B Bin | page 6 |
| SLD150-1 Bin | page 7 |
| SLD150-1B Dispensing parts | page 9 |
| SLD150-1B Door and Solenoid | page 10 |
| Kit parts | page 11 |
| Wiring Diagram | page 12 |

SLD150

Cabinet Parts - SLD150S-1B



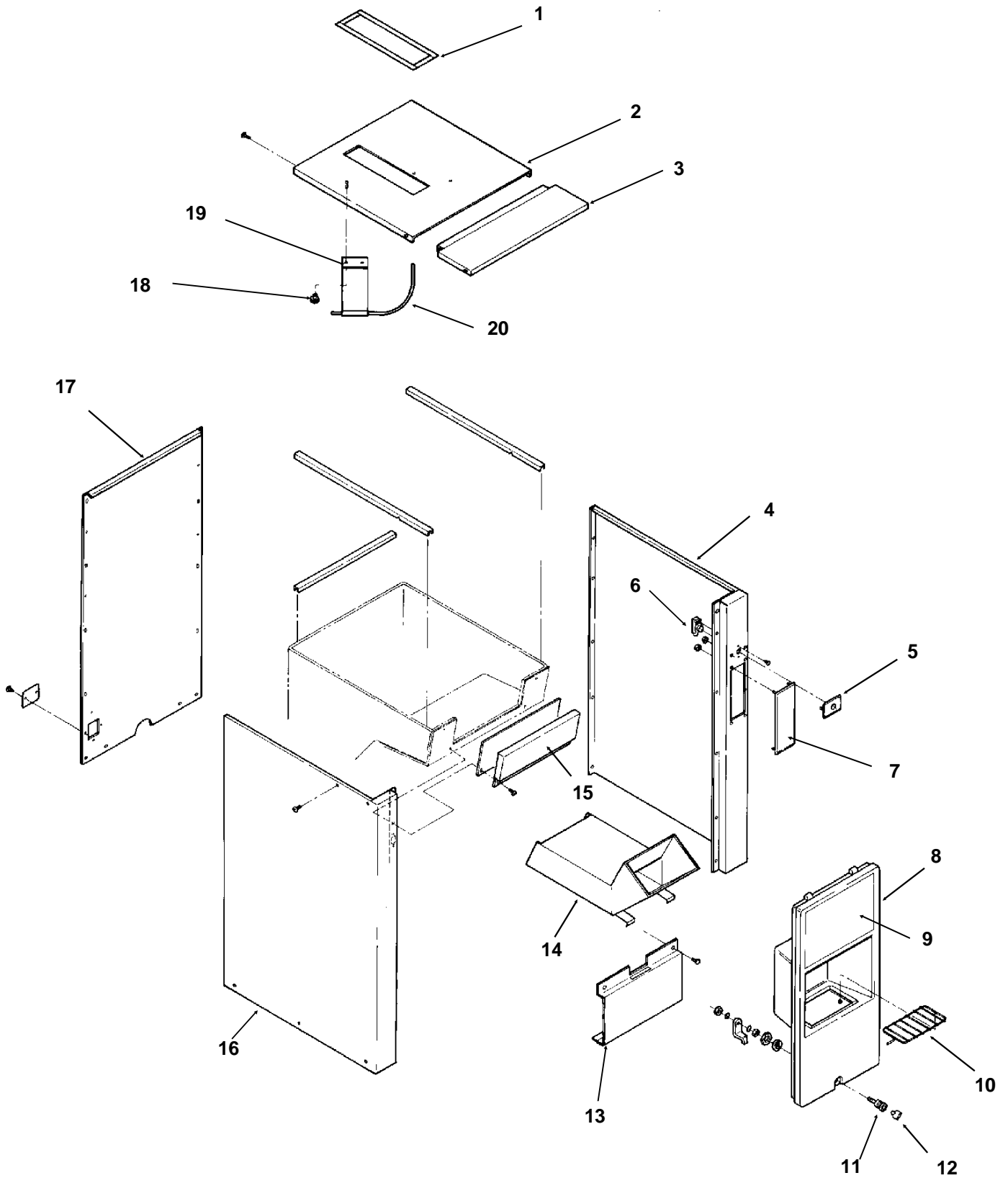
SLD150

Cabinet Parts - SLD150S-1B

| Item Number | Part Number | Description |
|--------------------|--------------------|---|
| 1 | 19-0503-04 | Gasket 24" around cube chute, 90" around top. Order per foot. |
| 2 | C80630001 | Bin cover, back |
| 3 | C80445001 | Bin cover front |
| 4 | C80627301 | Right side panel, stainless steel |
| 5 | C80416302 | Switch cover, stainless steel |
| 6 | C41771800 | Vend switch |
| 7 | C80417802 | Cover, stainless steel |
| 8 | C80627601 | Sink & panel |
| 9 | no number | Graphic |
| 10 | C80417401 | Grill |
| 11 | C80416401 | Lock |
| 12 | C80415601 | Key |
| 13 | C80627101 | Bottom panel |
| 14 | C80416601 | Drain chute |
| 15 | C80627001 | Top front panel, stainless steel |
| 16 | C80627302 | Left side panel, stainless steel |
| 17 | C80627401 | Back panel |
| 18 | C01231300 | Thumbscrew |
| 19 | C80418401 | Bracket |
| 20 | C80418301 | Tube |
| 21 | C80571402 | U channel, right |
| 22 | C80571401 | U channel, left |
| 23 | C80571601 | Window |
| 24 | C80571501 | Guide |

SLD150

Cabinet Parts - SLD150-1



SLD150

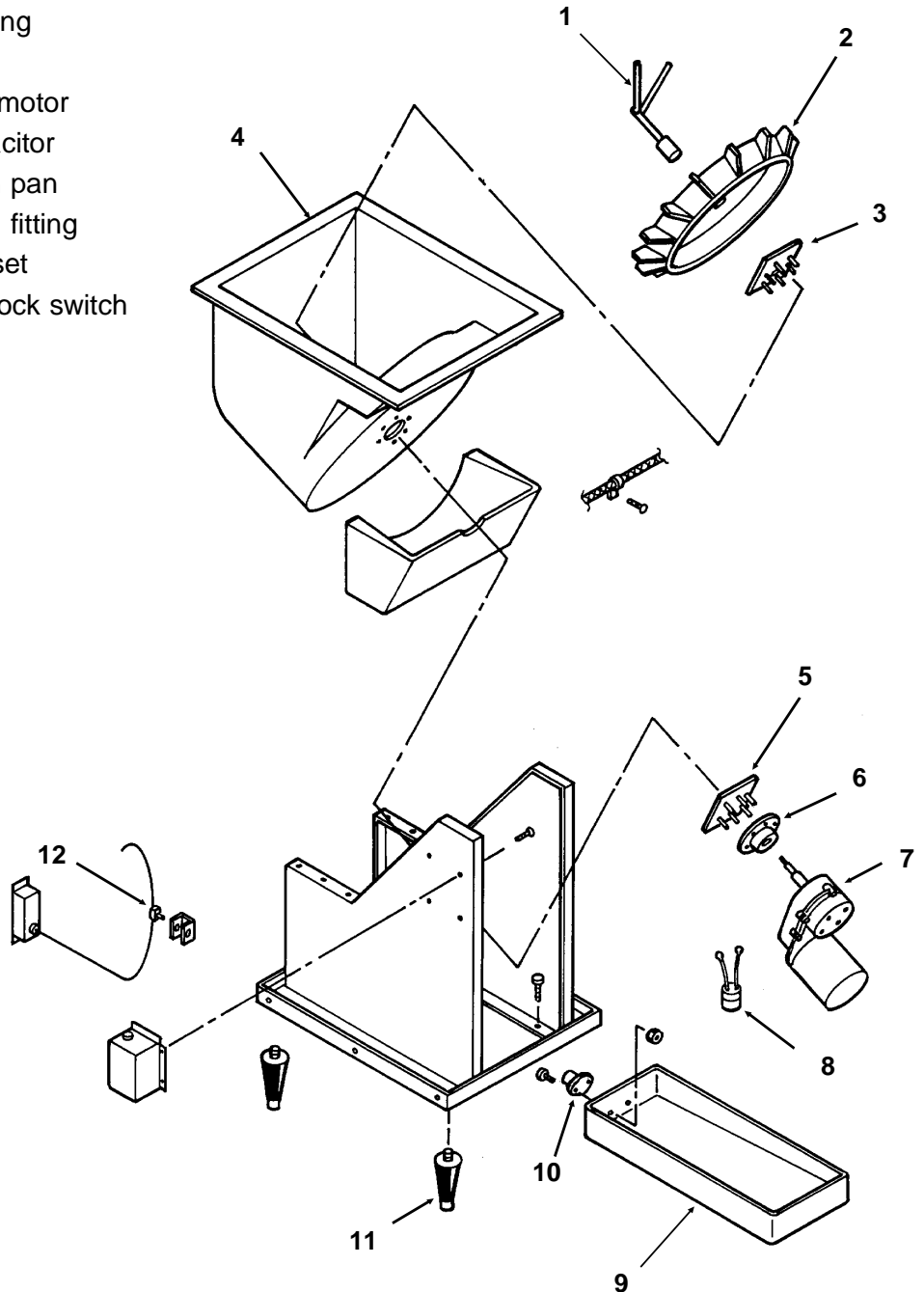
Cabinet Parts - SLD150-1

| Item Number | Part Number | Description |
|--------------------|--------------------|---|
| 1 | 19-0503-04 | Gasket 24" around cube chute, 90" around top. Order per foot. |
| 2 | C80416201 | Bin cover, back |
| 3 | C80445001 | Bin cover front |
| 4 | C80415505 | Painted right side panel |
| | C80415503 | Right side panel, stainless steel |
| 5 | C80416302 | Switch cover, stainless steel |
| | C80416303 | Switch cover, painted |
| 6 | C41771800 | Vend switch |
| 7 | C80417802 | Cover, painted |
| | C80417803 | Cover, stainless steel |
| 8 | C80416001 | Sink & panel |
| 9 | no number | Graphic |
| 10 | C80417401 | Grill |
| 11 | C80416401 | Lock |
| 12 | C80415601 | Key |
| 13 | C80414703 | Bottom panel |
| 14 | C80542601 | Drain chute |
| 15 | C80413503 | Top front panel, painted |
| | C80413502 | Top front panel, stainless steel |
| 16 | C80415506 | Painted left side panel |
| | C80415504 | Left side panel, stainless steel |
| 17 | C80415701 | Back panel |
| 18 | C35926400 | Thumbscrew |
| 19 | C80418401 | Bracket |
| 20 | C80418301 | Tube |

SLD150

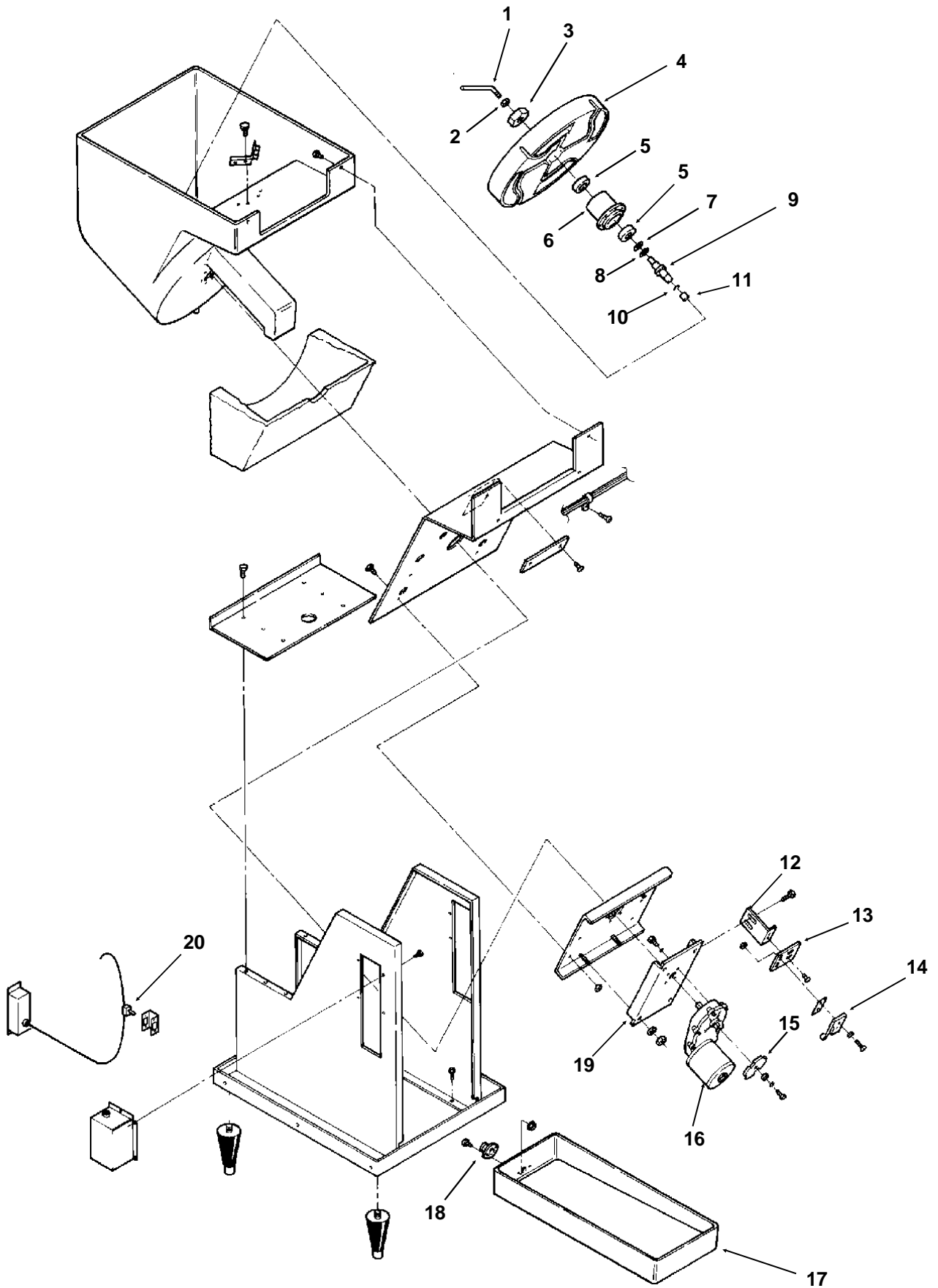
Bin Parts - SLD150S-1B

| Item Number | Part Number | Description |
|-------------|-------------|--------------------------------|
| 1 | C30074400 | Sweep arm |
| 2 | 02-3040-01 | Rotor |
| 3 | A34810-001 | Plate assembly |
| 4 | C80628501 | Bin |
| 5 | A34817-001 | Gearmotor plate |
| 6 | A34760-001 | Hub, includes bearing and seal |
| 6a | 02-3075-01 | Bearing |
| 6b | 02-3065-01 | Seal |
| 7 | 12-2369-01 | Gearmotor |
| 8 | C12235901 | Capacitor |
| 9 | C80416601 | Drain pan |
| 10 | C36619500 | Drain fitting |
| 11 | KLP2S | Leg set |
| 12 | C33810100 | Interlock switch |



SLD150

Bin Parts - SLD150S-1



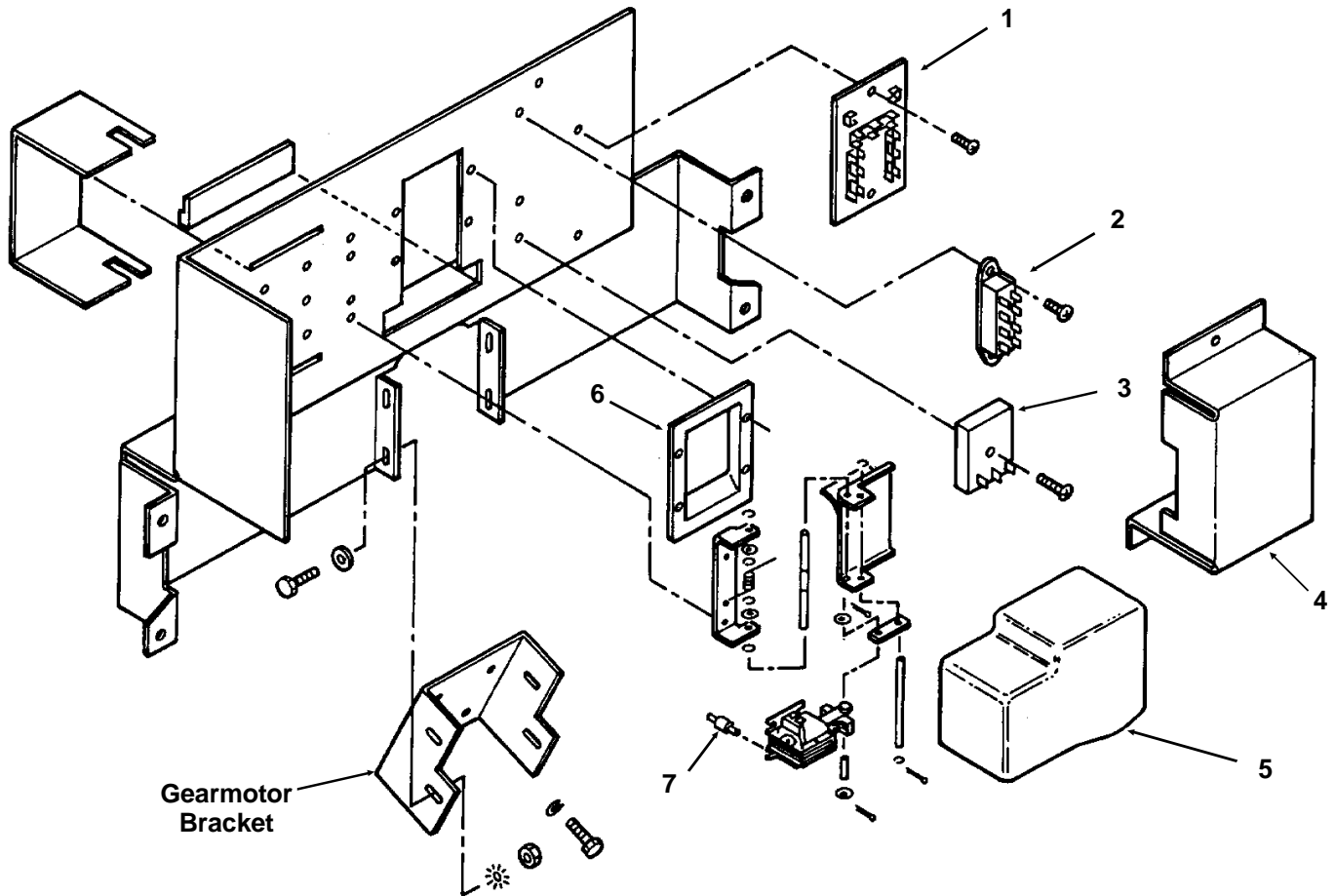
SLD150

Bin Parts for SLD150-1

| Item Number | Part Number | Description |
|------------------------|------------------------|----------------------|
| 1 | C80420301 | Arm |
| 2 | C40499910 | Nut |
| 3 | C80414001 | Nut, large |
| 4 | C80415101 | Dispensing wheel |
| 5 | 02-2186-02 | Bearing cone |
| | 02-2186-01 | Bearing cup |
| 6 | C80414301 | Housing |
| 7 | 02-2027-01 | Shim |
| 8 | 02-2026-01 | Shim |
| 9 | C80414101 | Shaft |
| 10 | C80417201 | Snap ring |
| 11 | C80414201 | Coupling |
| | C80419201 | Pin |
| 12 | C80414901 | Rear switch bracket |
| 13 | C80414801 | Front switch bracket |
| 14 | C80417901 | Cam switch |
| 15 | C80414501 | Cam |
| 16 | C80417601 | Gearmotor |
| 17 | C80416601 | Condensate pan |
| 18 | C36619500 | Drain fitting |
| 19 | C80413701 | Gearmotor bracket |
| 20 | C33810100 | Interlock switch |

SLD150

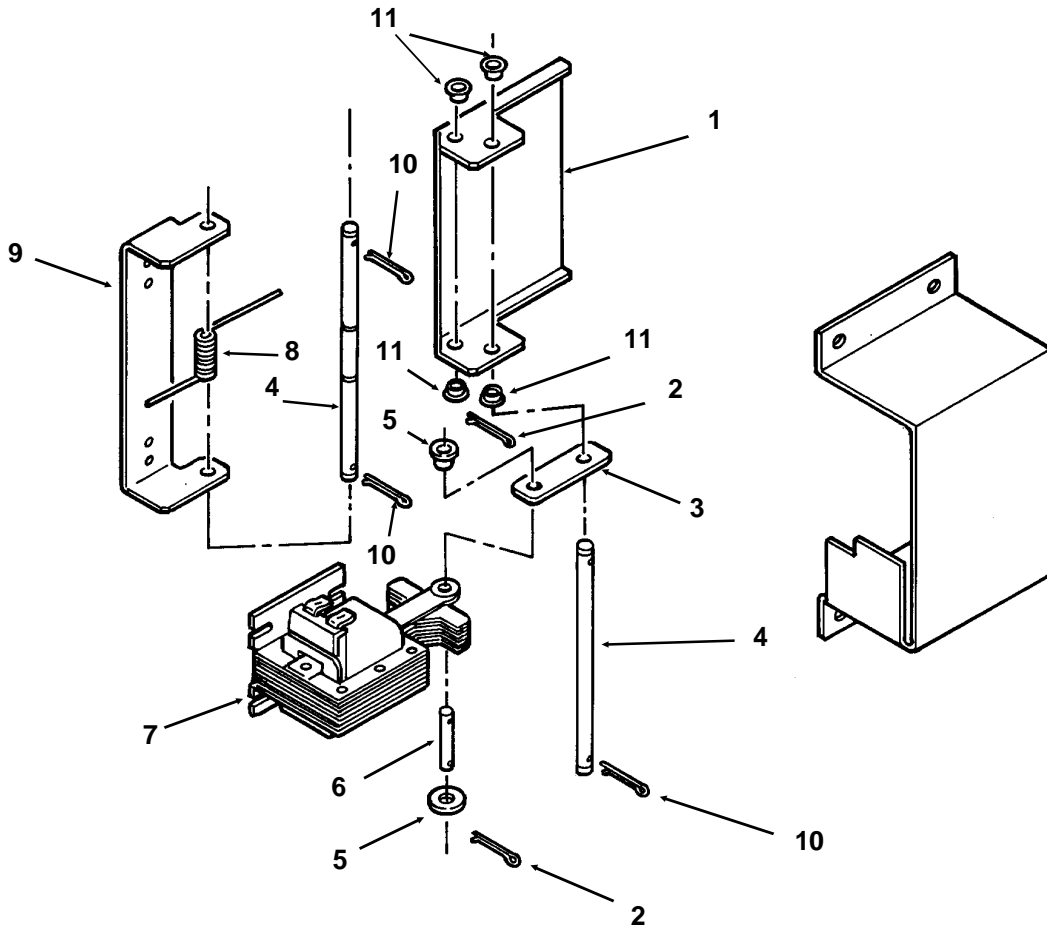
SLD150S-1B Dispensing Mechanism



| Item Number | Part Number | Description |
|-------------|-------------|------------------------------------|
| 1 | C18223900 | Terminal Board |
| 2 | C46292701 | Control relay |
| 3 | C80629301 | Timer - 3 seconds on every 2 hours |
| 4 | ref. only | Cover |
| 5 | 02-3067-01 | Solenoid cover |
| 6 | 02-3188-01 | Spout adapter |
| 7 | 13-0882-01 | Rubber mounts |

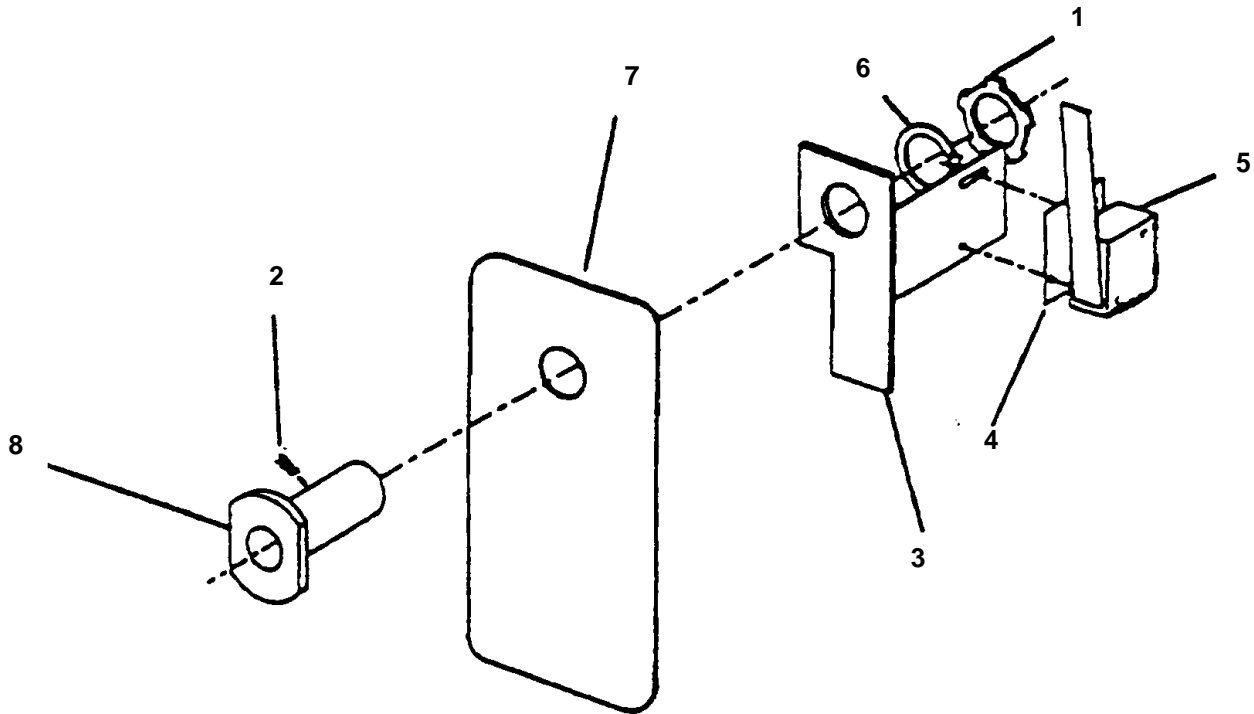
SLD150

SLD150S-1B Door and Solenoid



| Item Number | Part Number | Description |
|-------------|-------------|--|
| 1 | A34801-001 | Ice door |
| 2 | 03-0396-01 | Cotter pin |
| 3 | 02-3089-02 | Solenoid link |
| 4 | 02-3088-01 | Long axle |
| 5 | 03-1407-02 | Washer |
| 6 | A32685-001 | Axle, linkage |
| 7 | A32683-001 | Solenoid |
| 8 | A32690-001 | Door spring |
| 9 | A34802-001 | Door hinge |
| 10 | 03-0396-08 | Cotter pin |
| 11 | 02-3187-01 | Bushing |
| 12 | A35623-001 | Door assembly kit, includes all items except 5, 6, & 7 |

SLD150 Kit Parts



KSLDK2 Key Mech Kit - for SLD150S-1B

| Item Number | Part Number | Description |
|-------------|-------------|----------------|
| 1 | C01002800 | Nut lock |
| 2 | C19549700 | Set screw |
| 3 | C42792800 | Switch bracket |
| 4 | no number | Barrier |
| 5 | C26203100 | Microswitch |
| 6 | C80452001 | Plastic washer |
| 7 | C80417804 | Cover plate |
| 8 | C42647900 | Lock housing |

Not Shown

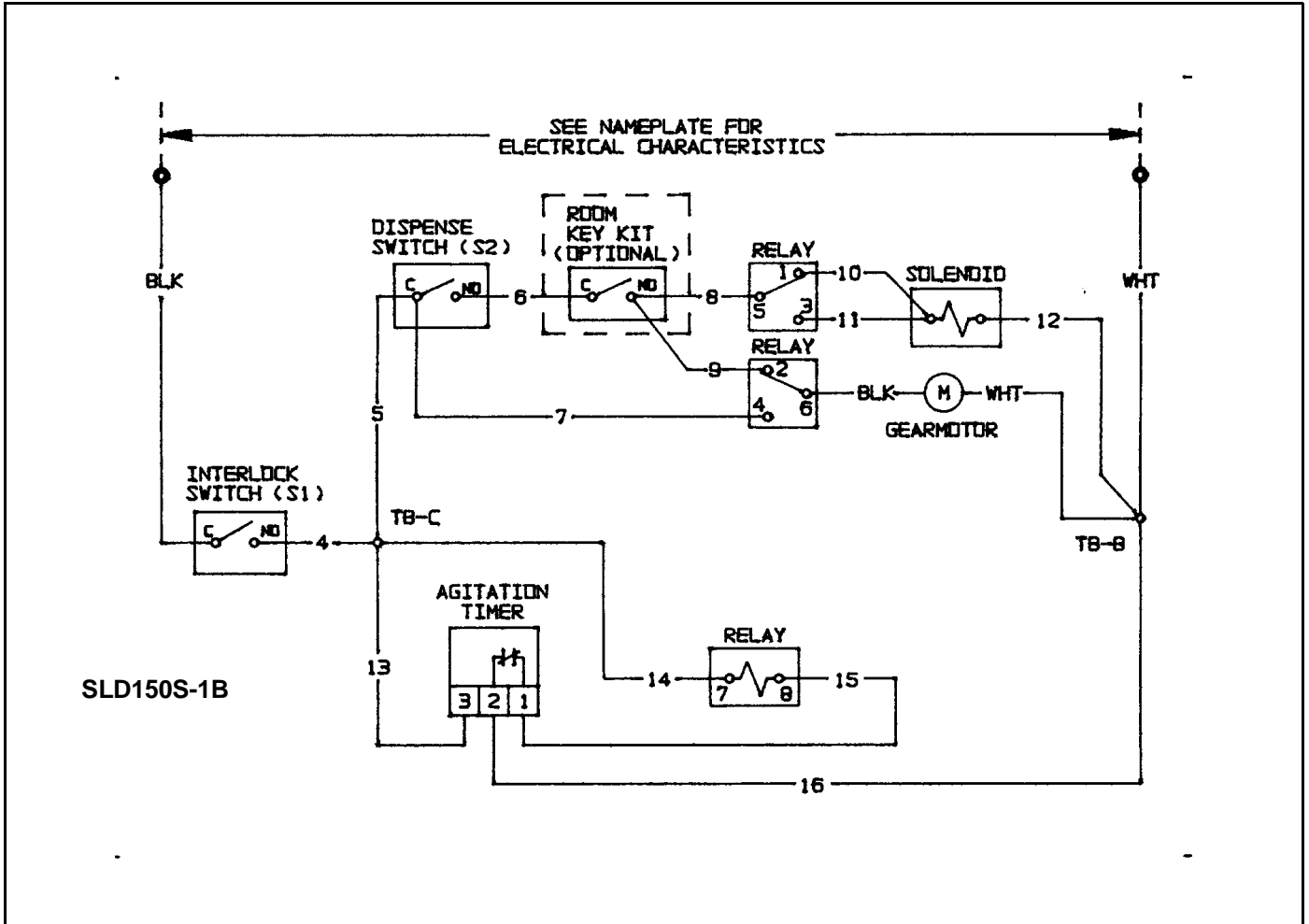
KSLDK Key Mech. Kit (for SLD150S-1A)

| Item Number | Part Number | Description |
|-------------|-------------|--------------------|
| 1 | C80575503 | Coin mech cover |
| 2 | C42647900 | Brass lock housing |
| 3 | C42792800 | Switch bracket |
| 4 | C80417803 | Key mech |
| 5 | C26203100 | Micro switch |

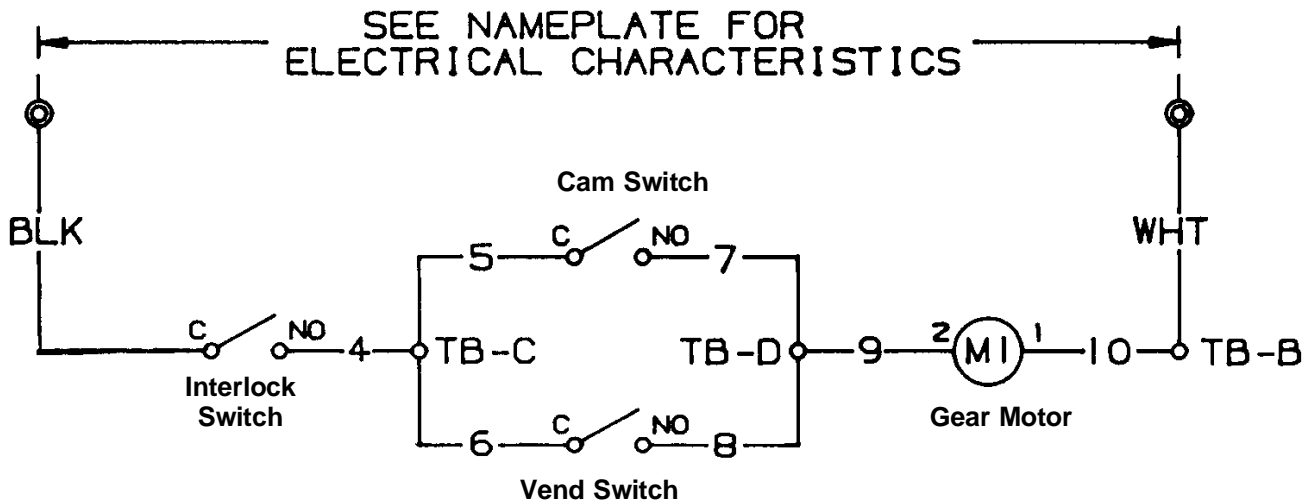
KSLDC or KSLDC2 Coin Mech Kit

| | | |
|---|-----------|------------------|
| 1 | C18223900 | Term. board |
| 2 | C46292701 | Control Relay |
| 3 | C80457301 | Coin slide mech. |
| 4 | C80457401 | Coin box |
| 5 | C80457501 | Mounting plate |
| 6 | C80565701 | Timer |
| 7 | C80457302 | Microswitch |

SLD150 Wiring Diagrams



SLD150-1



Use Copper Conductors Only
 TB= Terminal Board
 Numbers = Wire Code Number

SLD150

Wiring Diagram, SLD150-1B with coin mechanism

