

FD470 Service Parts

This parts lists contains part numbers for the service parts available for the FD470.

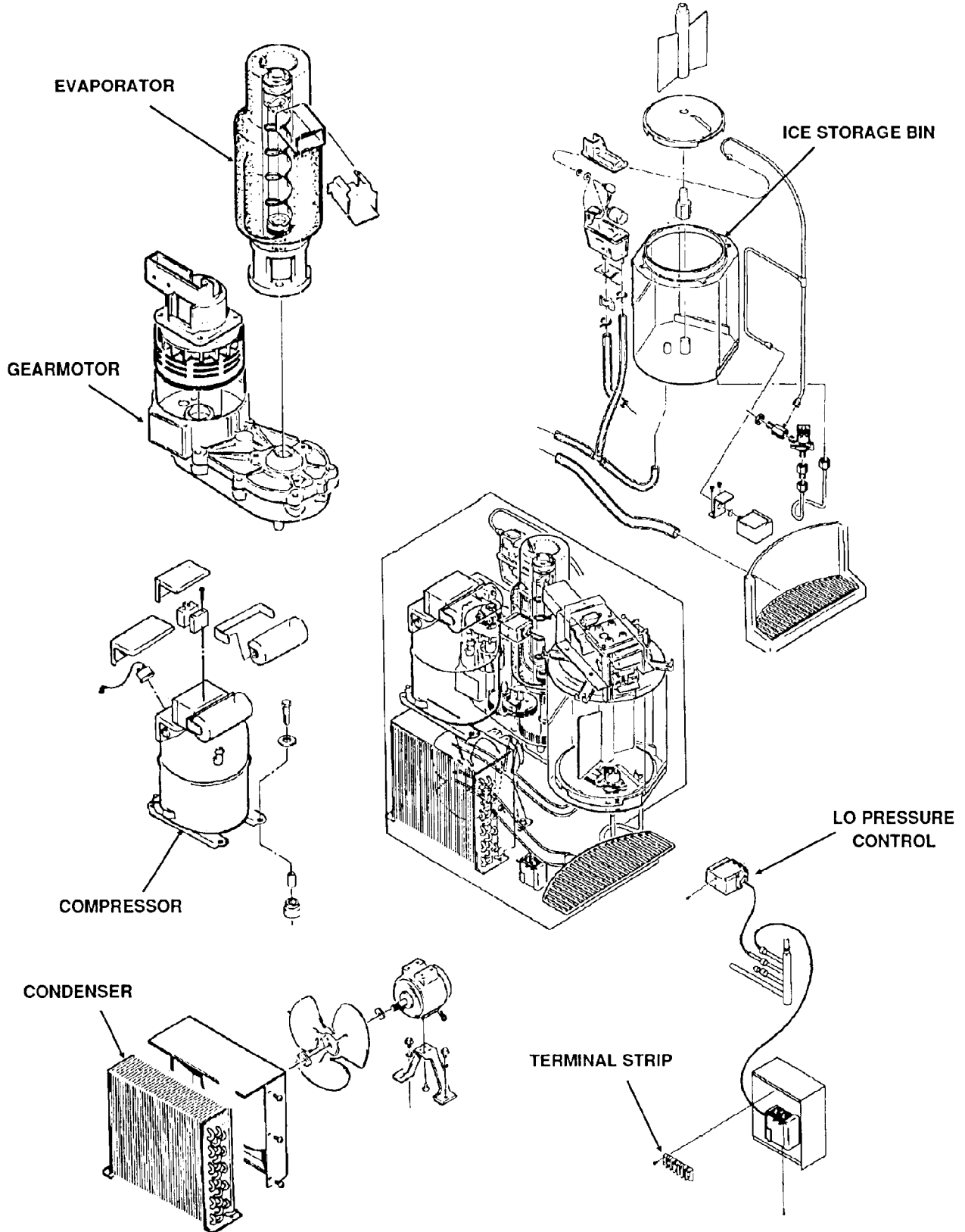
Production of the FD470 "B" model began in early 1992. Changes from the "A" model include: electric eyes for the bin control, auger delay relay on the circuit board instead of a separate pressure control, and a water level sensor in the reservoir instead of a water pressure switch.

Always check the model number of the ice machine being serviced to be certain that the parts ordered will be correct.

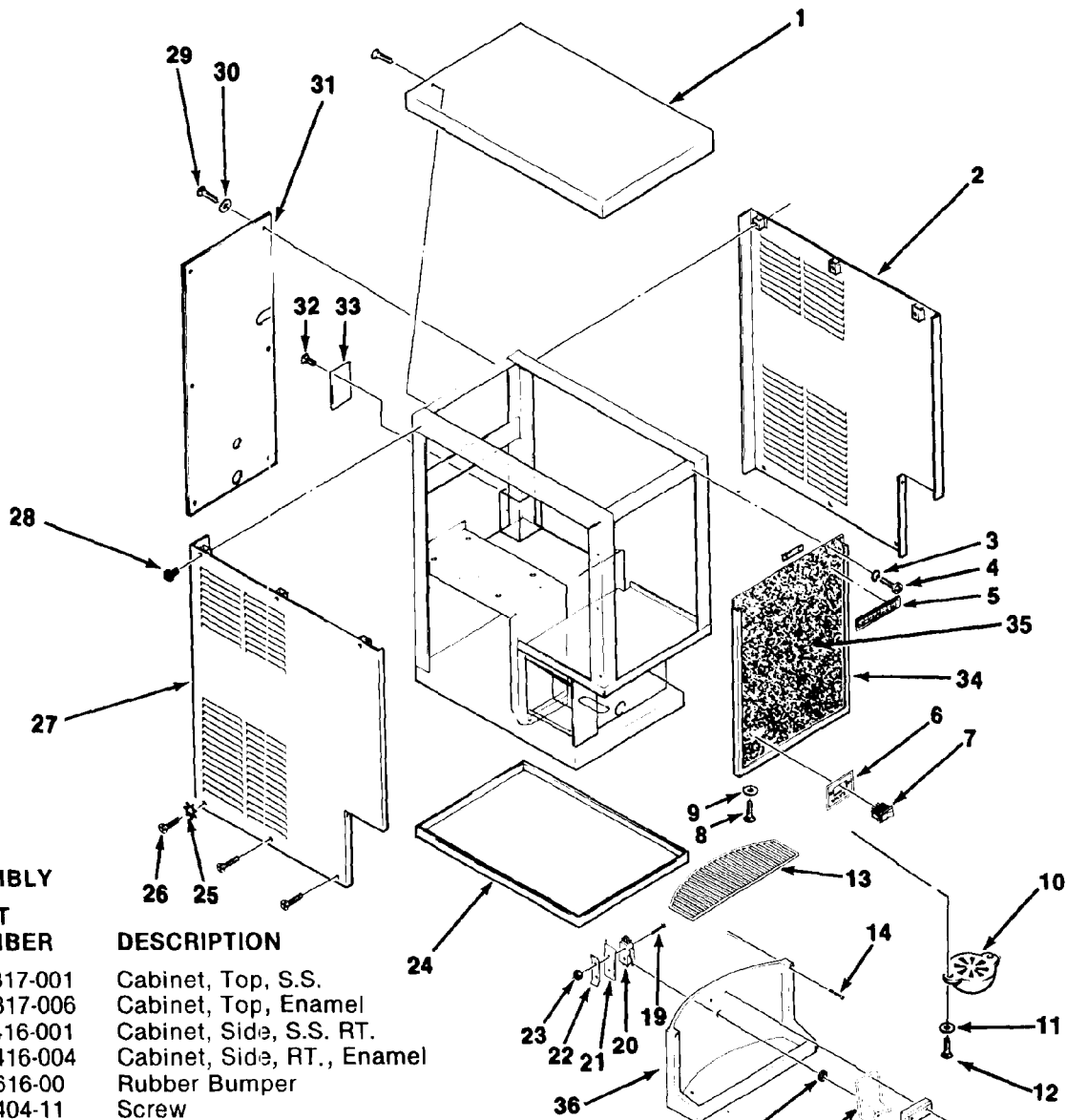
TABLE OF CONTENTS

	Page
Cabinet Assembly	3
Major Components	4
Freezer Assembly	5
Dispensing System	6
Auger Drive Motor	7
Bin Top Assembly	8
Control Box	10
Kits	12
Wiring Diagram	13

FD470 SERVICE PARTS



FD470 SERVICE PARTS



CABINET ASSEMBLY

ITEM NUMBER	PART NUMBER	DESCRIPTION
1	A16317-001	Cabinet, Top, S.S.
	A16317-006	Cabinet, Top, Enamel
2	A21416-001	Cabinet, Side, S.S. RT.
	A21416-004	Cabinet, Side, RT., Enamel
3	13-0616-00	Rubber Bumper
4	03-1404-11	Screw
5	15-0718-01	Emblem
6	15-0621-01	Water Decal
7	12-1377-00	Switch
8	03-1403-15	Screw
9	03-1417-27	Washer
10	02-1804-00	Spout Exterior
11	03-1407-03	Washer
12	03-1403-19	Screw
13	02-1473-00	Grate
14	03-1418-28	Screw
15	03-1419-09	Screw
16	02-1833-00	Adaptor
17	A21544-000	Actuator Arm
18	12-1213-04	Bushing
19	02-1403-09	Screw
20	12-1641-00	Switch
21	No Number	Insulation
22	03-1417-07	Washer
23	03-0886-00	Nut
24	13-0566-00	Moulding
25	03-1417-24	Washer
26	03-1419-27	Screw
27	A21415-004	Cabinet, Side LT., Enamel
	A21415-001	Cabinet, Side, S.S. LT.
28	03-1404-09	Screw
29	03-1404-09	Screw
30	03-1417-03	Washer
31	A21405-004	Back Panel, Enamel
	A21405-001	Back Panel, S.S.
32	03-1403-17	Screw
33	No Number	Junction Box Cover
34	15-0507-00	Molding Trim
35	A27500-001	Front Panel SS
	A27500-002	Front Panel, Vinyl Cork
36	A21429-000	Sink

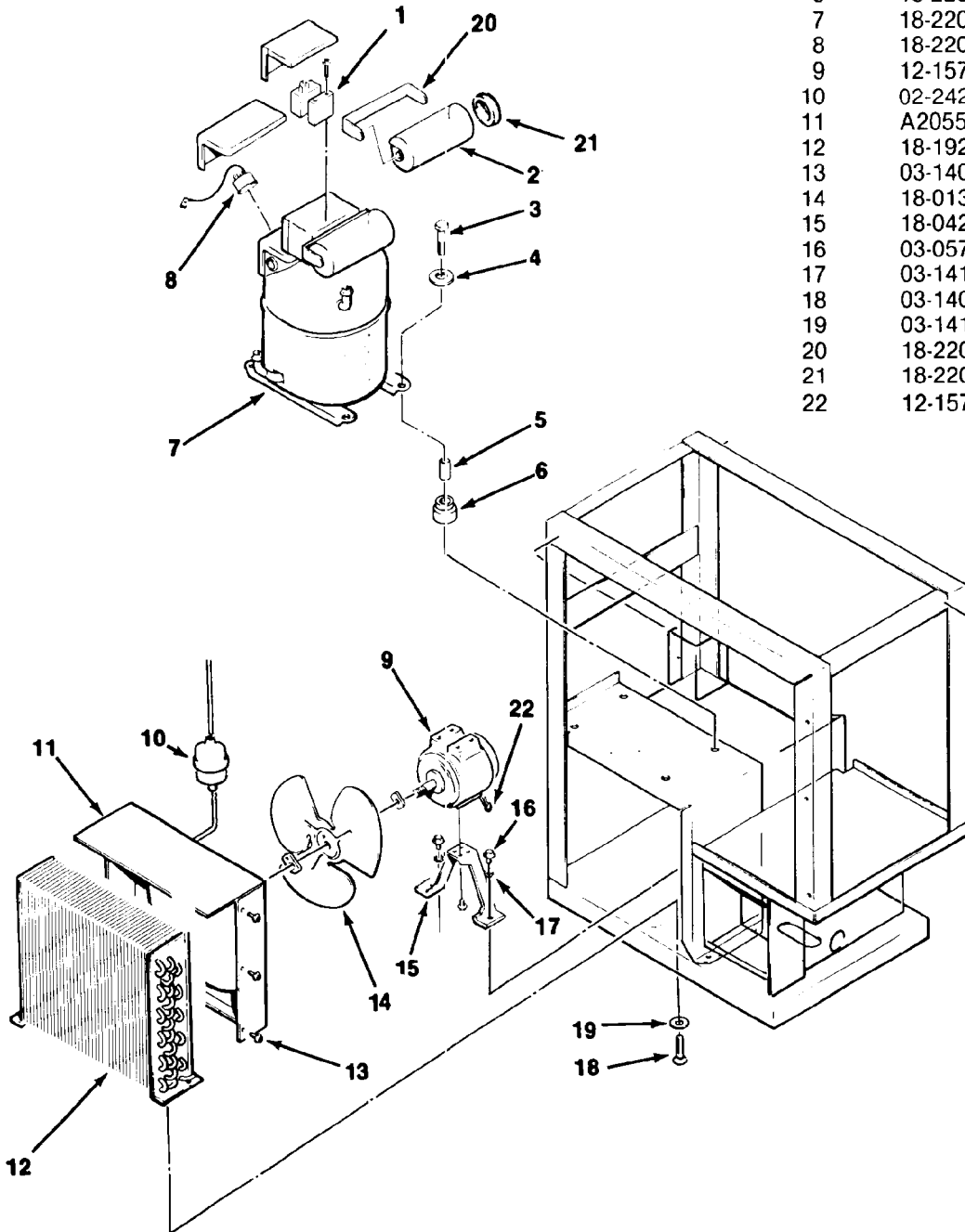
August, 1989

Page 3

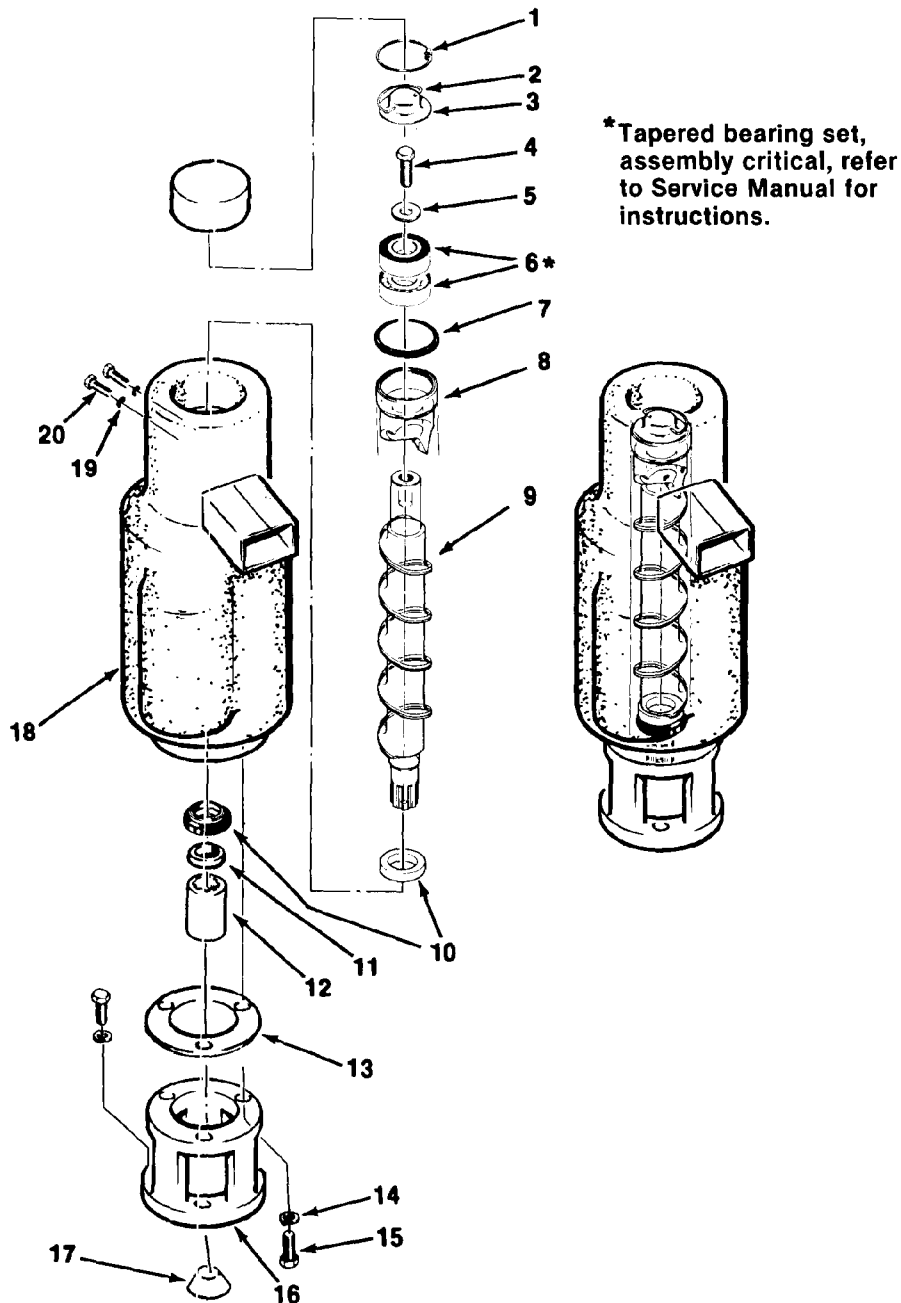
FD470 SERVICE PARTS

MAJOR COMPONENTS

ITEM NUMBER	PART NUMBER	DESCRIPTION
1	18-2200-26	Relay
2	18-1901-33	Capacitor
3	03-1405-20	Screw
4	03-1407-07	Washer
5	18-2200-27	Mounting Sleeve
6	18-2200-28	Mounting Grommet
7	18-2200-01	Compressor
8	18-2200-25	Overload
9	12-1576-01	Fan Motor
10	02-2426-01	Drier
11	A20550-000	Shroud
12	18-1927-00	Condenser
13	03-1404-15	Screw
14	18-0137-01	Fan Blade
15	18-0422-00	Fan Bracket
16	03-0571-00	Screw
17	03-1417-09	Washer
18	03-1405-03	Screw
19	03-1417-09	Washer
20	18-2200-39	Start Capacitor BKT.
21	18-2200-38	Start Capacitor Cap
22	12-1573-01	Fan Motor Wire



FD470 SERVICE PARTS



*Tapered bearing set, assembly critical, refer to Service Manual for instructions.

FREEZER ASSEMBLY

ITEM NUMBER	PART NUMBER	DESCRIPTION	ITEM NUMBER	PART NUMBER	DESCRIPTION
1	03-1558-03	Retainer Ring	11	02-0417-00	Bearing, Lower
2	A08162-000	Cap Hook	12	A29915-002	Spline Drive Coupling
3	A07701-000	Cap	13	03-1505-00	Gasket
4	03-0758-00	Screw	14	03-1410-04	Washer (3)
5	A07699-000	Washer	15	03-1420-01	Cap Screw (3)
6	02-1412-20	Top Bearing, Matched Set	16	08-0595-01	Adapter, Amaloy
7	13-0617-16	"O" Ring	17	13-0709-01	Shaft Drip Shield, Rubber
8	A14678-020	Breaker with Bearing Assembly, includes items #6-7-8	18	A26742-020	Evaporator Shell, includes suction line
9	A29669-001	Auger	19	03-1417-07	Washer
10	02-1300-01	Water Seal	20	03-1403-46	Screw

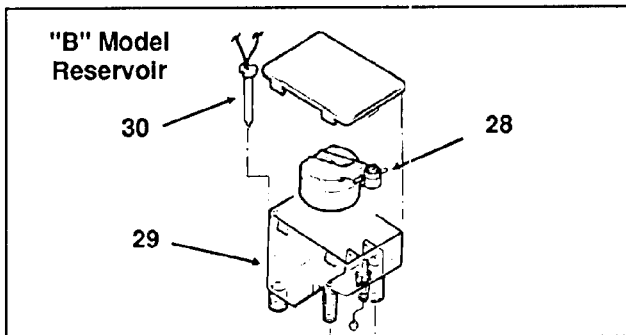
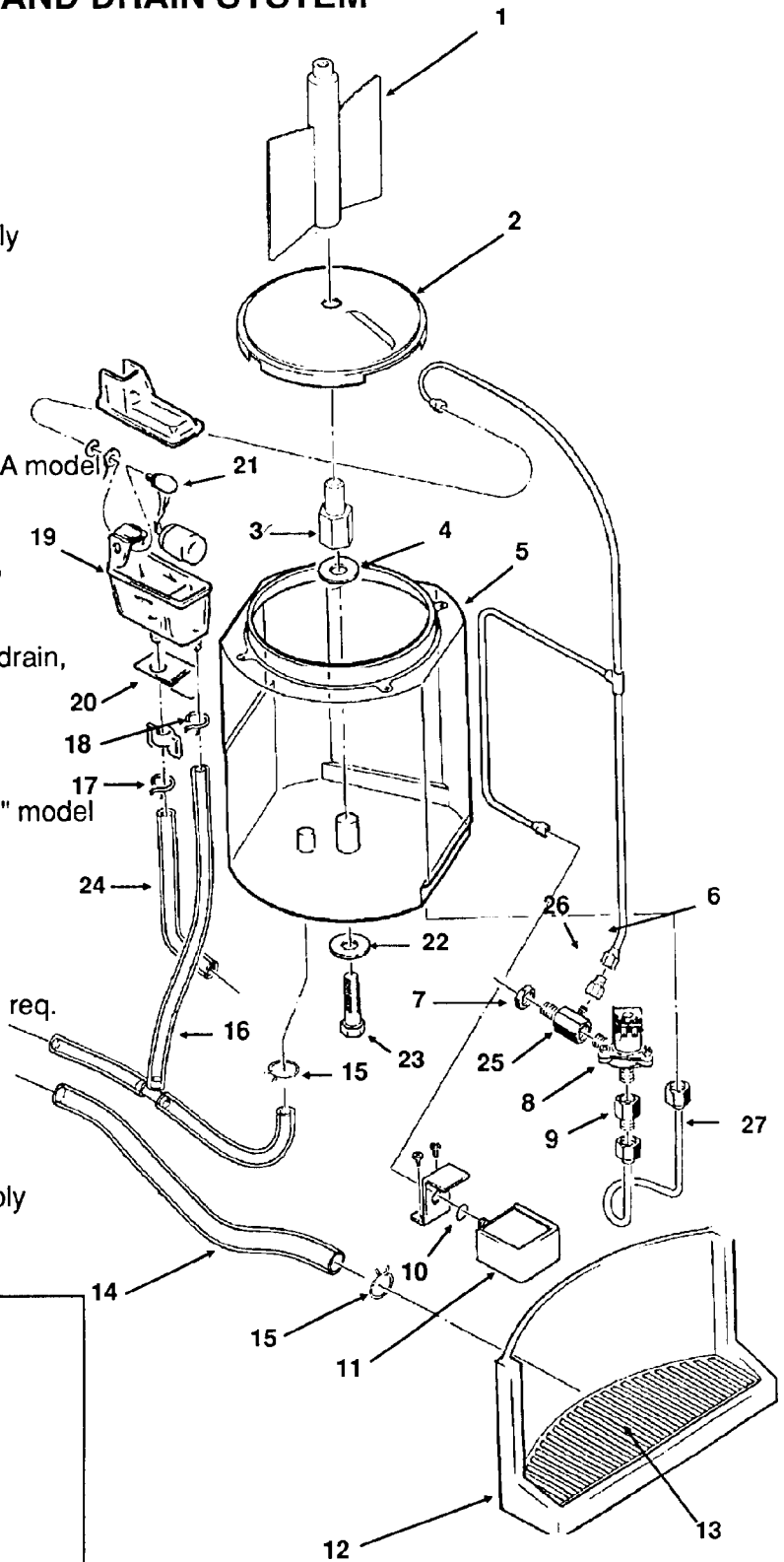
August, 1989

Page 5

FD470 SERVICE PARTS

WATER AND DRAIN SYSTEM

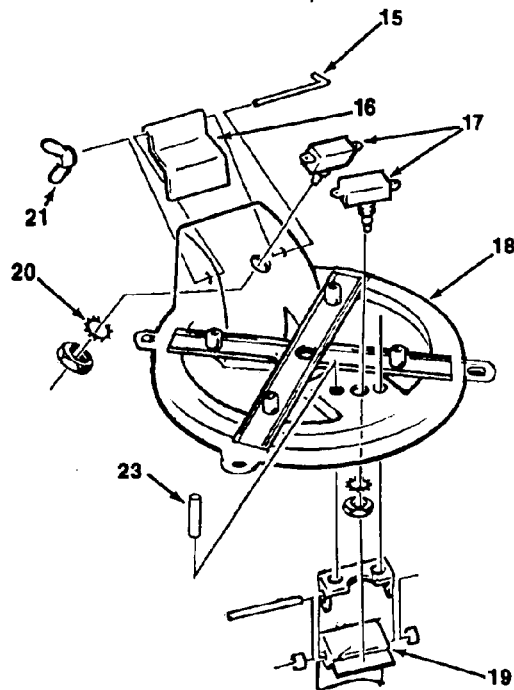
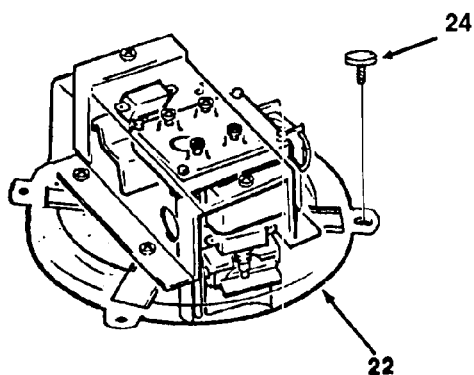
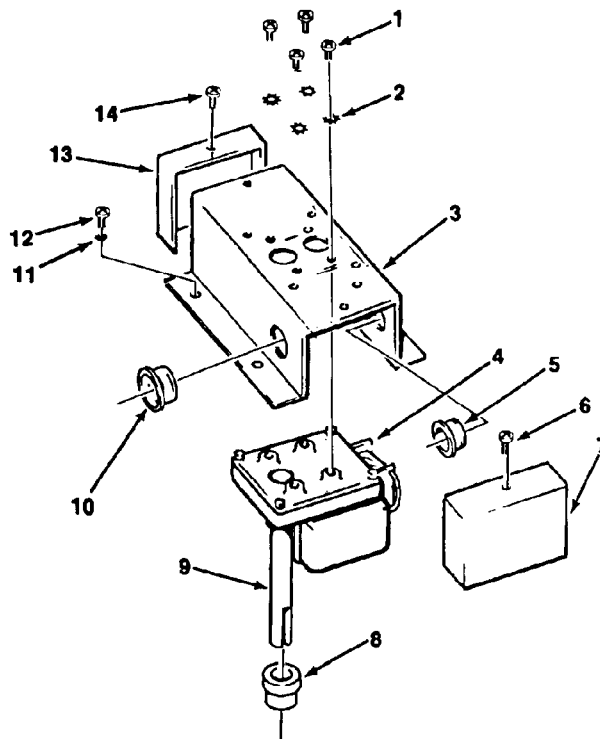
ITEM NUMBER	PART NUMBER	DESCRIPTION
1	A34768-001	Vane Assembly
2	A34767-001	Bin Bottom Assy
3	02-3033-01	Hub Assembly
4	03-1409-22	Fiber Washer
5	A34734-001	Bin Foam Assembly
6	16-0163-00	Coupling
7	03-1394-00	Pal Nut
8	12-1434-04	Water Valve
9	12-0643-00	Half Union
10	03-1409-21	Rubber Washer
11	11-0296-00	Pressure Control (A model)
12	A21429-000	Sink Assy
13	02-1473-00	Grill
14	13-0674-08	Tube, requires 12"
15	02-1338-00	Clamps
16	13-0079-03	Tube, overflow to drain, requires 12"
17	02-0535-00	Clamp
18	02-0694-00	Clamp
19	02-2217-01	Reservoir Assy "A" model
20	A29418-000	Reservoir Bracket
21	02-2217-02	Float and arm
22	03-1407-05	Plain Washer
23	03-1645-01	Hex Cap Screw
24	13-0674-09	Tube (to evap.) 7" req.
25	A21433-000	Inlet fitting
26	16-0163-00	Coupling
27	A27489-001	Water Tube
28	A32922-020	Float assembly
29	A32929-020	Reservoir assembly
30	A33101-001	Water sensor



FD470 SERVICE PARTS

"A" MODEL BIN TOP ASSEMBLY

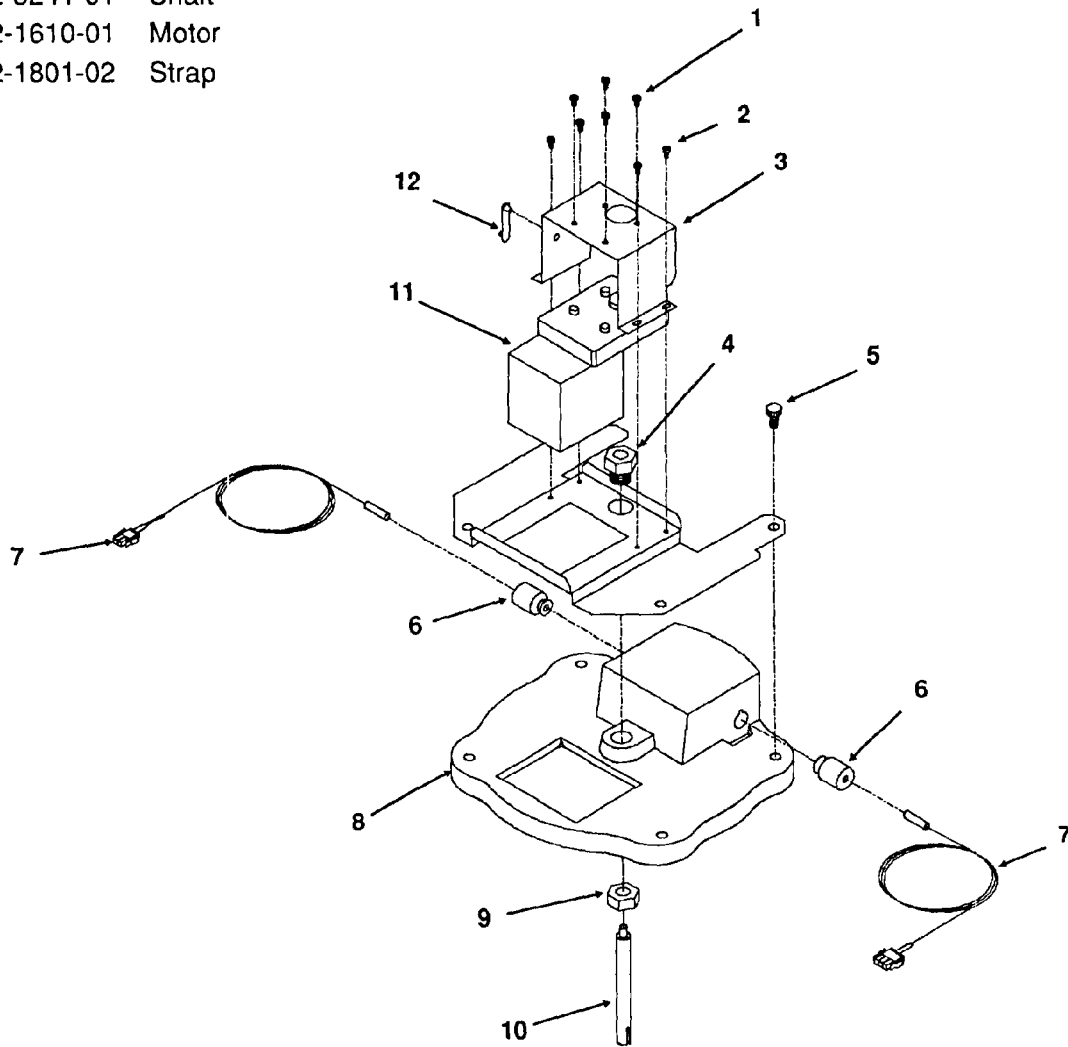
ITEM NUMBER	PART NUMBER	DESCRIPTION
1	03-1403-16	Screw
2	03-1417-06	Washer
3	A27493-001	Switch Cover
4	12-1610-01	Motor
5	12-1213-05	Bushing
6	03-1531-01	Screw
7	no number	Switch Cover
8	no number	Bushing-order item 18
9	A21207-000	Shaft
10	no number	Strain bushing
11	03-1417-09	Washer
12	03-1403-47	Screw
13	no number	Switch Cover
14	03-1531-01	Screw
15	A16104-000	Hinge Pin
16	A16010-000	Lever
17	12-1018-01	Switch
18	A34868-001	Top & Braces & Bushing
19	A35140-001	Ice Level Control Lever
20	03-1417-20	Lockwasher
21	03-0727-10	Wing Nut
22	obsolete	Bin Top Assembly Comp.
23	A16495-000	Nut - Ice Bracket
24	03-0727-10	Screw



FD470 SERVICE PARTS

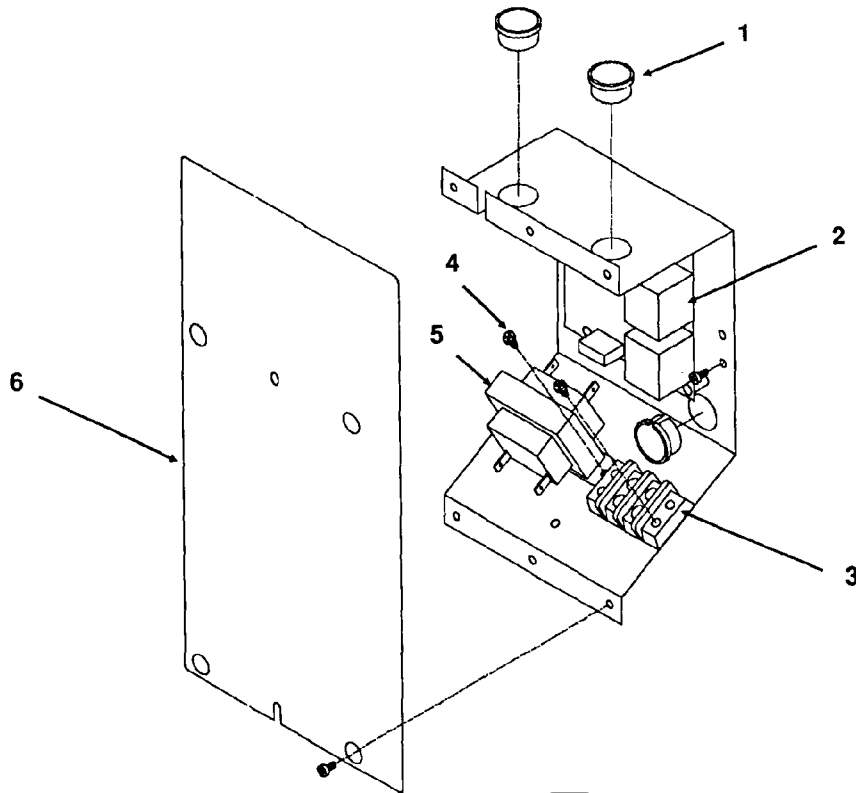
"B" MODEL BIN TOP

ITEM NUMBER	PART NUMBER	DESCRIPTION
1	03-1403-15	Screw
2	03-1531-01	Screw
3	A35474-001	Motor Mtg. Bracket
4	02-3238-01	Bushing
5	03-0727-10	Thumbscrew
6	13-0866-01	Grommet
7	A35493-021	Electric eye set
8	02-3237-01	Bin top
9	02-3239-01	Nut
10	02-3241-01	Shaft
11	12-1610-01	Motor
12	02-1801-02	Strap



FD470 SERVICE PARTS

"B" MODEL CONTROL BOX



ITEM NUMBER	PART NUMBER	DESCRIPTION
1	12-1213-10	Snap bushing
2	A32976-020	Circuit board
3	12-0813-04	Terminal strip
4	03-1531-03	Screw
5	12-2285-21	Transformer
6		Control box cover

Not shown for FD470A-1BG

7	12-2391-01	Key lock switch
---	------------	-----------------

FD470 SERVICE PARTS

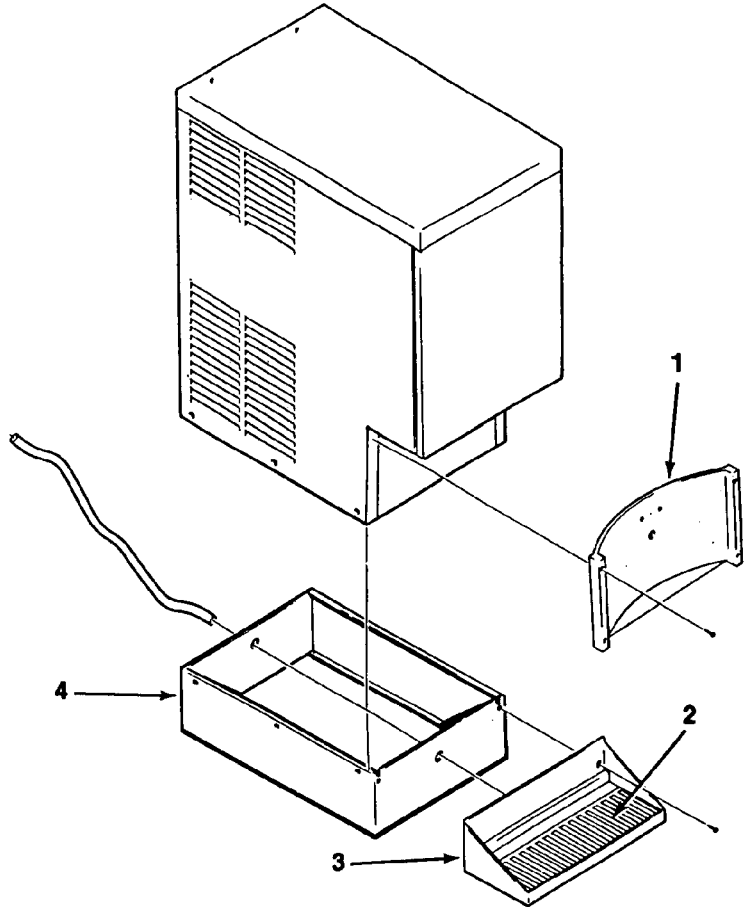
SINK EXTENSION KIT

A conversion for the FD4 dispenser to increase the distance between the discharge spout and the sink to twelve inches and to provide a faster sink drainage.

KDE1 — PAINTED

KDE1-SS — STAINLESS STEEL

ITEM NUMBER	PART NUMBER	DESCRIPTION
1	02-1828-00	Splash Plate
2	02-1701-00	Drain Grill
3	02-1699-00	Sink Assembly
4	A21538-000 A21538-001	Base Painted Base Stainless Steel



KWB1 WALL MOUNT KIT

An option to attach an FD4 to the wall.

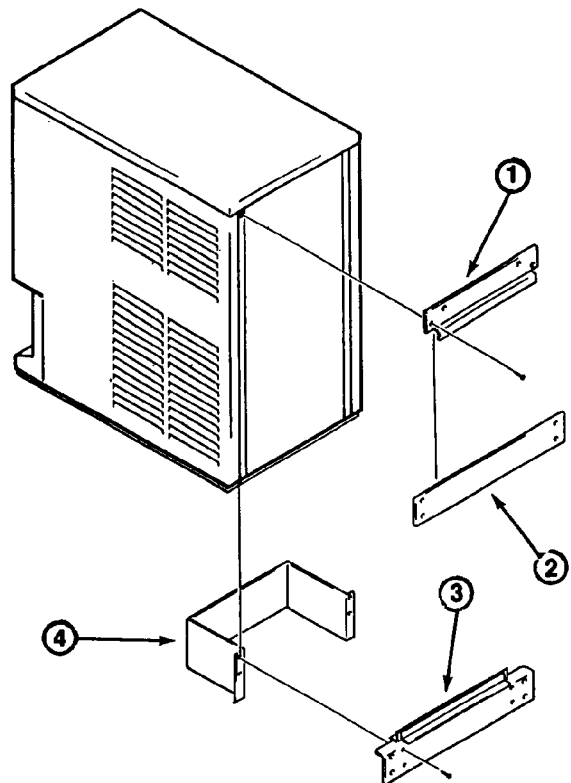
COMPONENT DESCRIPTION

KWB1 WALL MOUNT KIT COMPONENT DESCRIPTION

KIT CONTENTS

- 1. Top Case Hanger Bracket.** Attach to inside of frame of the dispenser.
- 2. Top Wall Bracket.** Mounts to wall and engages top case hanger bracket to support dispenser.
- 3. Bottom Wall Bracket.** Mounts to wall and supports bottom of dispenser.
- 4. Bottom Fittings Cover.** Fastened to bottom wall bracket to conceal electrical and plumbing fittings from view.

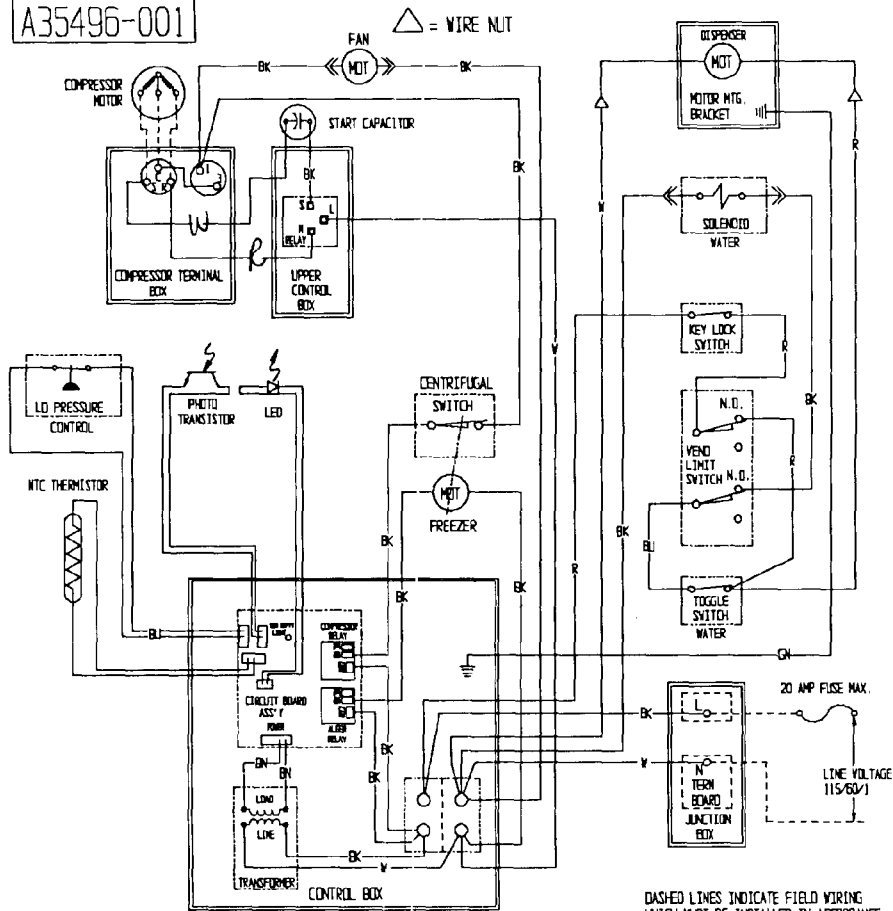
(No Service Parts)



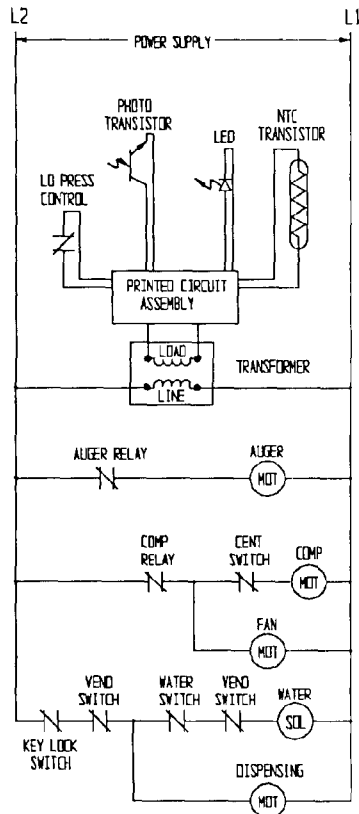
FD470 WIRING DIAGRAM

FD470AE-1BG

A35496-001



CONTROLS SHOWN IN THE ICE MAKING MODE WITH ALL DISPENSING SYSTEMS IN OPERATION



THIS UNIT MUST BE GROUNDED

USE COPPER CONDUCTORS ONLY

DASHED LINES INDICATE FIELD WIRING WHICH MUST BE INSTALLED IN ACCORDANCE WITH THE NATIONAL ELECTRICAL CODE AND ALL STATE AND LOCAL CODES