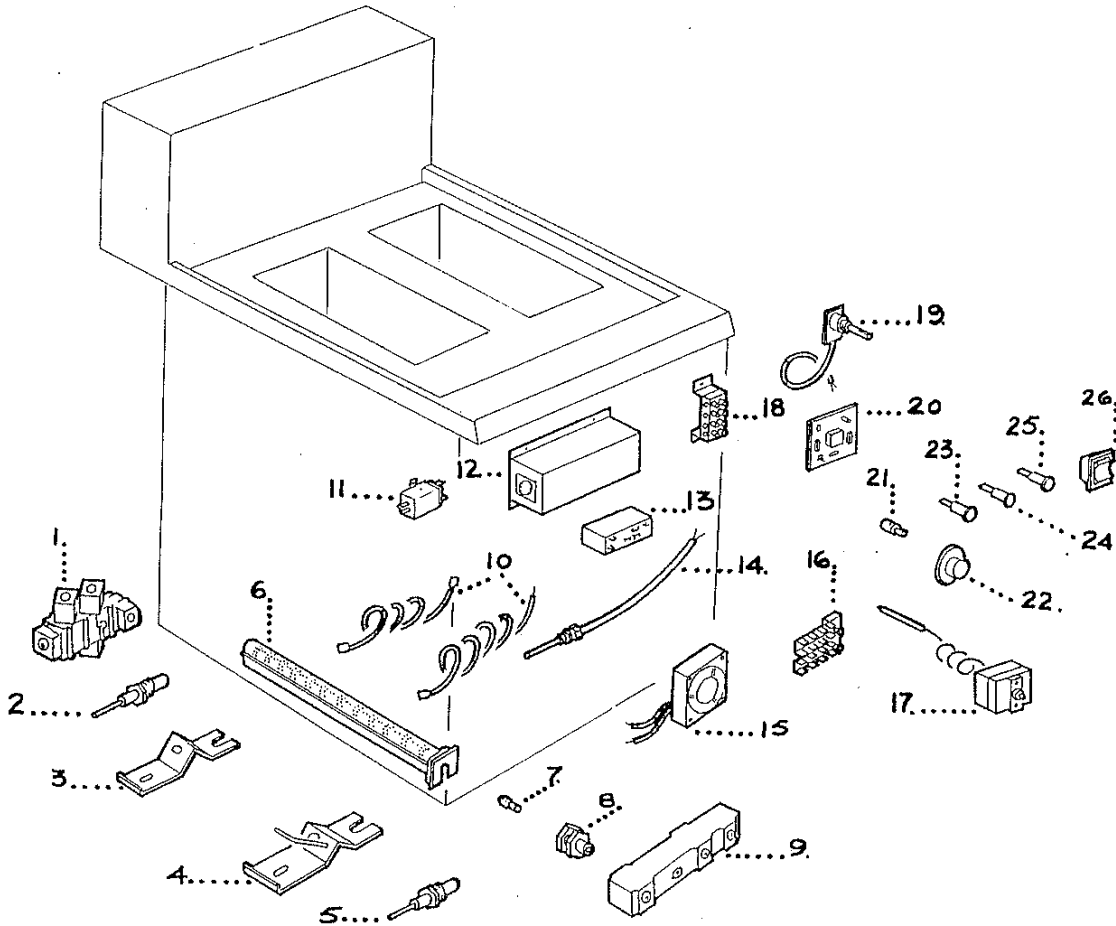


G1848 Pre CE Fryer - Pan & Body Fitments

1	534520090	Flue capper
2	534510080	Flue uptake front
3	534520060	Pan & hob assembly (see note 1)
4	531930120	Basket hanging rail bracket (See Note 2)
5	534510090	Basket hanging rail
6	534510170	Pan strainer
7	534500080	False bottom
8	531303062	Dust cover c/w handle
9	531313050	Dust cover handle
10	531312010	Chip basket
11	534520050	Control panel (see note 3)
12	534510160	Control panel trim
13	534524020	Door assembly (see note 3)
14	531880190	Door handle bracket c/w gasket RH (see note 2)
15	534510140	Door handle bar
16	531880180	Door handle bracket c/w gasket LH (see note 2)
17	534510100	Door top hinge
18	534510130	Door keeper stud
19	534510030	Door catch
20	534510060	Drain cock
21	534510070	Drain tube
22	534510110	Door bottom hinge
23	534510010	Outer side panel LH
	534510020	Outer side panel RH (not shown)
24	534510040	Outer side blanking plate
25	531880260	Leg c/w adjustable foot

- Note
1. Replacement pan and hob assembly will be of the latest manufacture which may have differences from that being replaced.
 2. Brown epoxy coated parts are no longer supplied and the later black epoxy equivalent part is supplied in lieu.
 3. Brown vitreous enamel parts are no longer available and the later stainless steel equivalent part is supplied in lieu.

G1848 Fryer (Pre CE) - Pipework and Controls



	530960130	Governor 1/2" BSP (to 14/04/88)
	534510300	Governor 1/2" BSP (to 1/05/92)
	530062500	Governor 1/2" BSP (to 25/01/96)
1	534510190	Solenoid double (to 09/09/90)
	534510190	Solenoid double (10/09/90 to 01/05/92)
	534510460	Solenoid double (02/05/92 to 24/01/96)
	534510930	Solenoid triple (from 25/01/96)
2	530140220	Sensor probe
3	534500130	Sensor bracket
4	534500120	Ignitor bracket
5	531930575	Ignitor probe
6	534500090	Burner
7	534500220	Injector N.G.
7a	534500400	Injector L.P.
8	534500110	Injector Adaptor
9	530133100	Manifold
10	534500140	Injector/Sensor leads (set of 4)
11	534500210	Filter 2a
12	531930500	Gas control unit (Pactrol)
13	531930480	Igniter box
14	534510260	Thermocouple
15	534500190	Fan
16	531930490	Terminal block
17	534510255	Safety thermostat
18	534511020	Connector block c/w bracket (See note 1)
19	531690310	Control potentiometer
20	531690610	Operating stat P.C.B.
21	534510290	Spindle adaptor
22	534500165	Control knob
23	737140020	Indicator lamp (Amber)
24	534510270	Indicator Lamp (Green)
25	737140030	Indicator lamp (Red)
26	732010360	On/Off switch (See note 3)

- Notes
- Fourway block for triple solenoid supplied irrespective
 - PAV potentiometer and PCB no longer available. ELM components only supplied but these are not compatible with PAV and both parts will require to be replaced.
 - Earliest models were fitted with push button switch which is available on 732010350

Potentiometer to suit old PAV T'Stat -pt.no
534510660 (blue & yellow wires)

ORIGINAL PAV POTENTIOMETER
OBSOLETE