

DISHWASHER

ELECTROMECHANICAL SWITCHES
LOWER AND UPPER WASHING

TYPE: 6U

Accessories

BREAK TANK

BOOSTER PUMP

DVGW

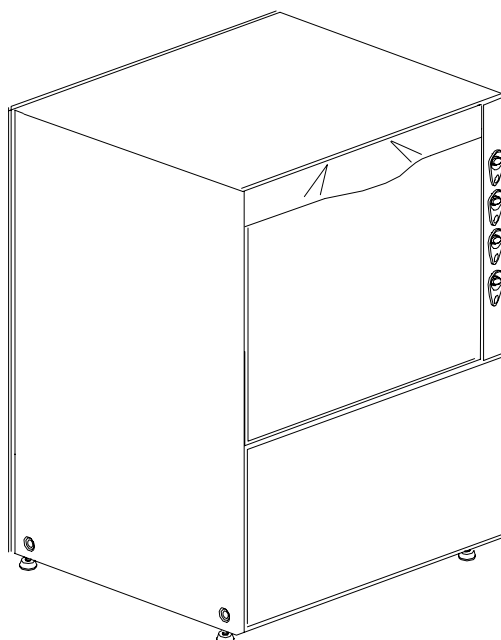
COLD RINSE

WATER SOFTNER

DETERGENT DISPENSER

DRAIN PUMP

Spare parts manual



1. Spare parts

General body parts.....	5
Lockup system	7
Control panel	9
Control electric components.....	11
Solenoid valve group	13
Solenoid valve group	15
Solenoid valve group	17
Break Tank	19
Booster pump.....	21
DVGW	23
Water softner group.....	25
Shining product dosing device group .	27
Shining product dosing device group .	29
Boiler group	31
3 ways derivation.....	33
4 ways derivation	35

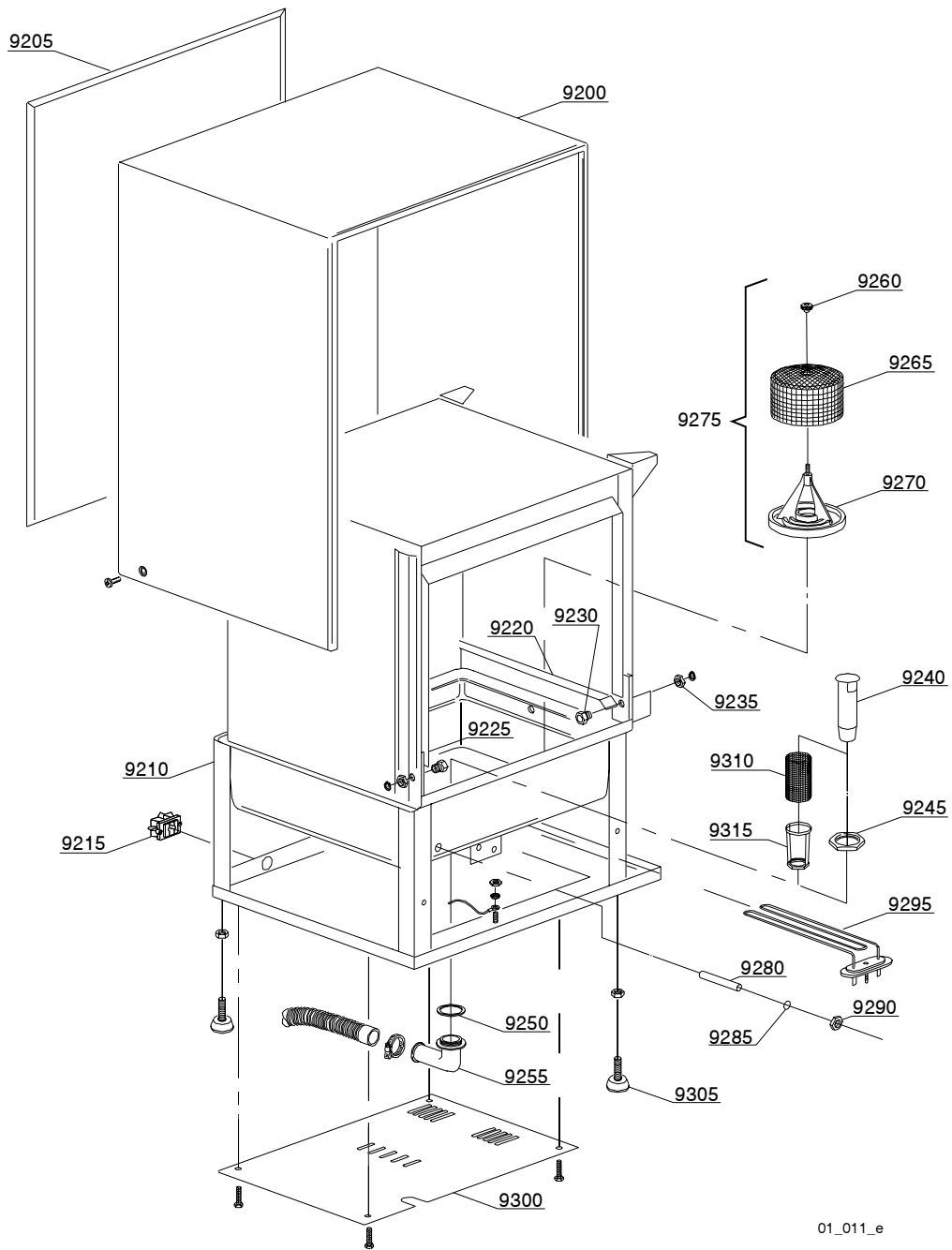
Wash pump	37
Wash pump	39
Dosing device group	41
Drain pump group.....	43
Pressure switch group with air trap ...	45
Turret group with rotating arms	47
Turret group with rotating arms	49

1.1 Voltage codes

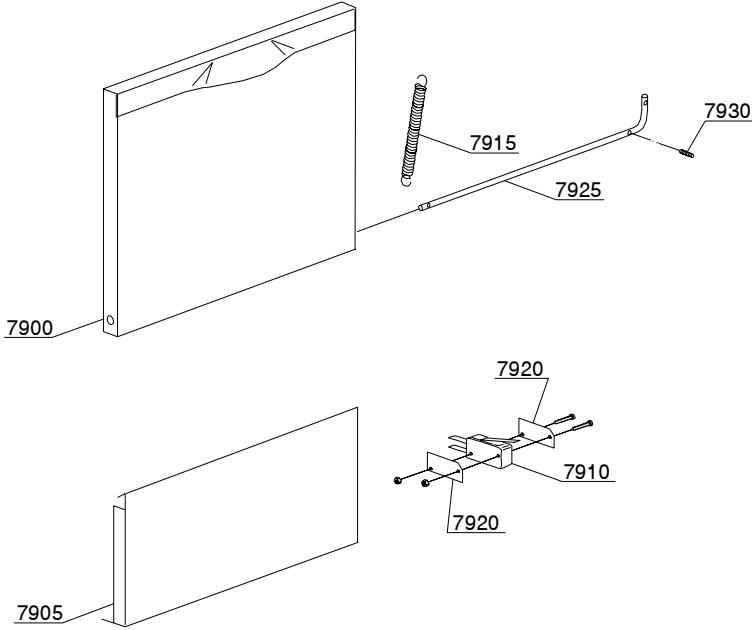
Voltage code	Voltage
A	3/N/PE~400/230V 50Hz
B	~250V 16A 50Hz
C	3/N/PE~380/220V 50Hz
D	3/PE~200V 50-60Hz
F	2/PE 220-240V 50Hz
G	3/N/PE~415/240V 50Hz
H	3/PE~230V 50Hz
I	3/PE~220V 60Hz
J	3/PE~380 50Hz
K	3/PE~400V 50Hz
L	3/PE~415V 50Hz
M	3/PE~440V 60Hz
N	3/PE~460V 60Hz
O	3/PE~480V 60Hz
P	1/N/PE~220-240V 50Hz
R	2/PE~220-230V 60Hz
S	3/N/PE~400/230V 50Hz
T	3/PE~230V 60Hz

1.2 Product codes

Product code	Full name
Model codes	
em	ELECTROMECHANICAL SWITCHES
ls	LOWER AND UPPER WASHING
Type codes	
6U	6U
Accessory codes	
bt	BREAK TANK
pap	BOOSTER PUMP
dvgw	DVGW
fs	COLD RINSE
d	WATER SOFTNER
dde	DETERGENT DISPENSER
ps	DRAIN PUMP



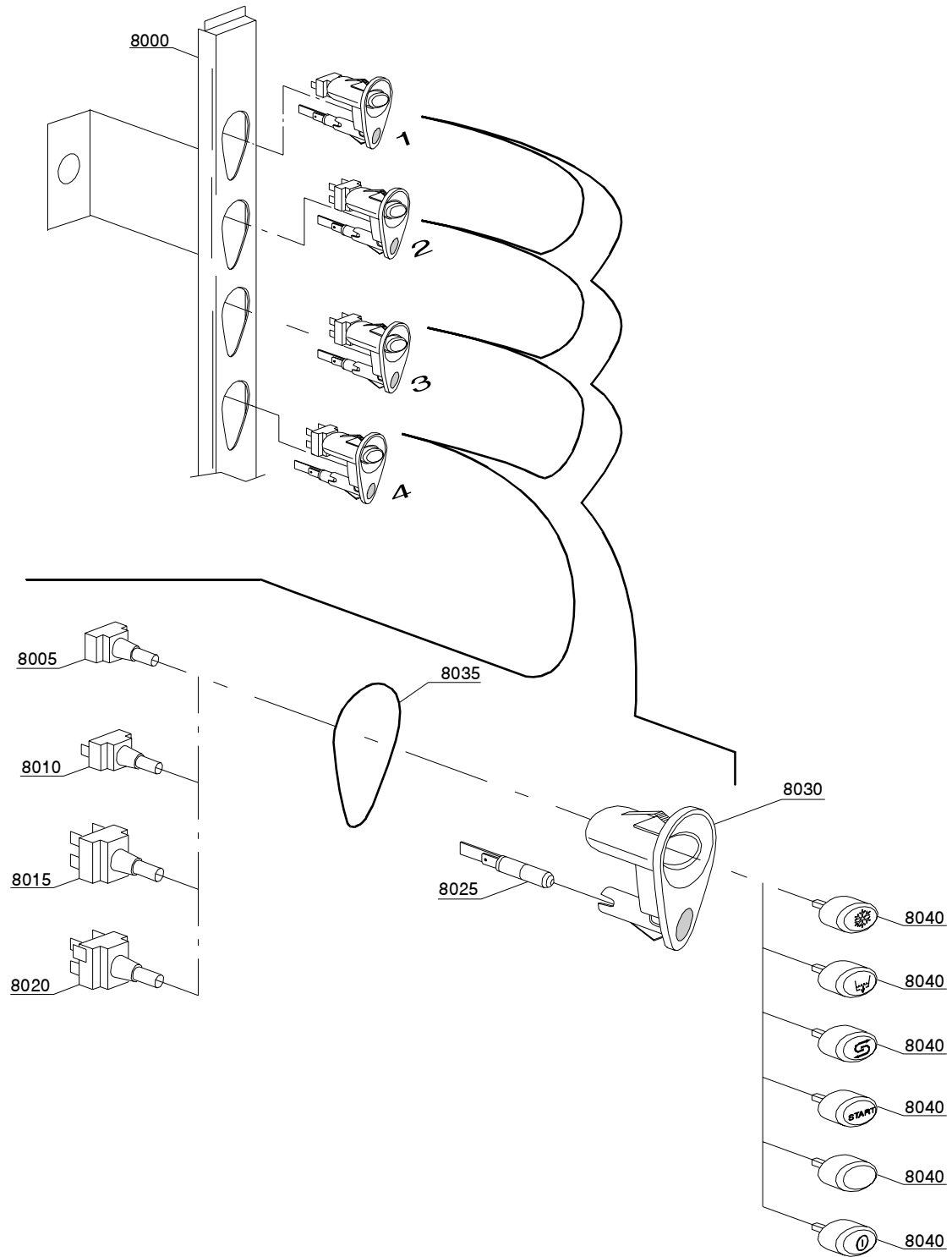
01_011_e



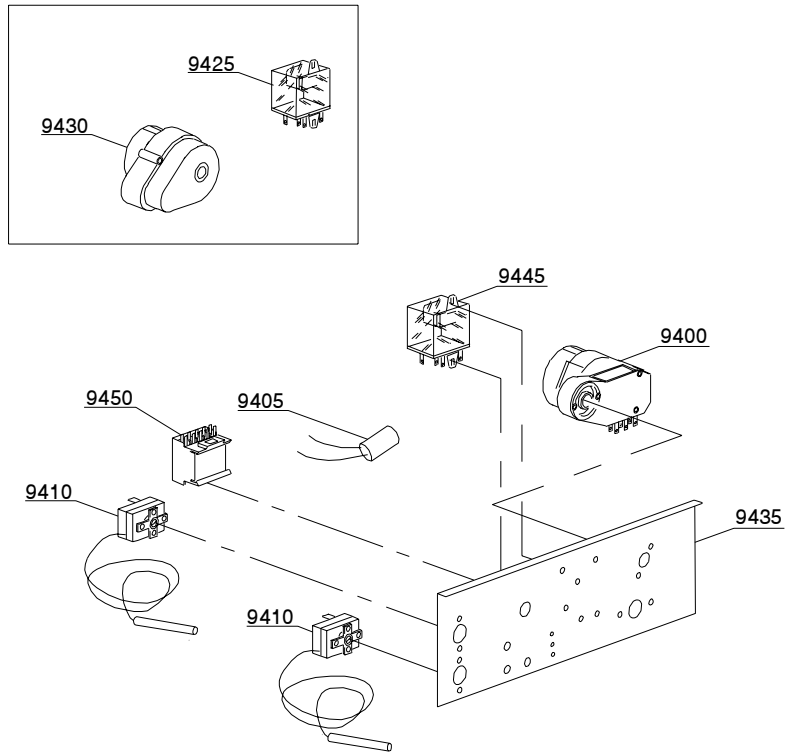
02_107_e

Spare parts

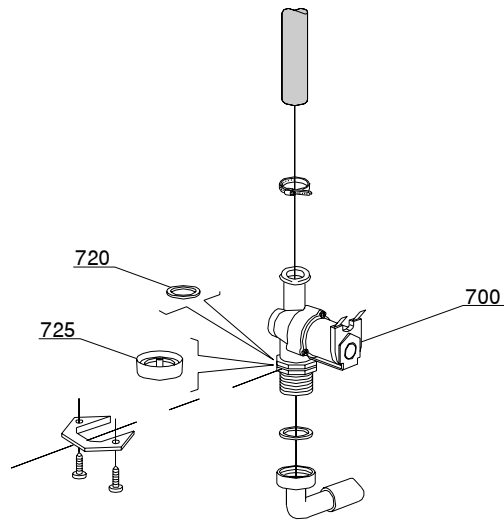
ID	P-code	Model	Type	Accessory	Voltage	Description
MODULE:Lockup system						
7900	16972		6U			Door with steel handle
7905	16016		6U			Lower door
7910	10704		6U,7U			Door microswitch
7915	10700/B		6U			Door spring
7920	10770		6U,7U			Insulating for door microswitch
7925	16046		6U			Door rod
7930	11170		6U			M5x25 grub-screw



03_015_e



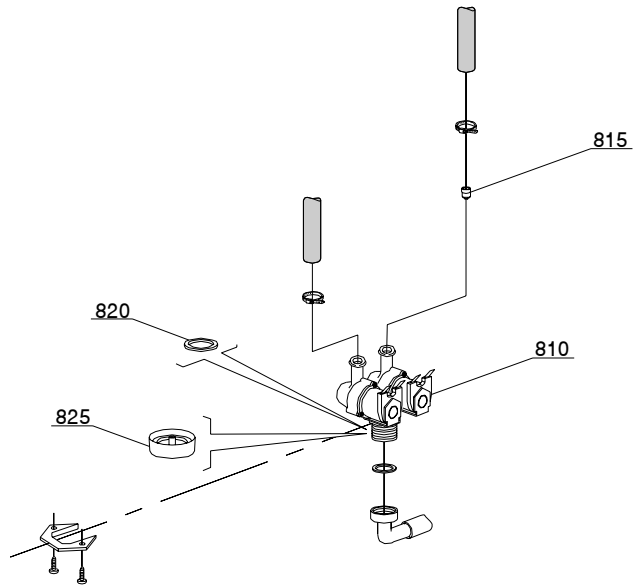
04_010_e



05_002_e

Spare parts

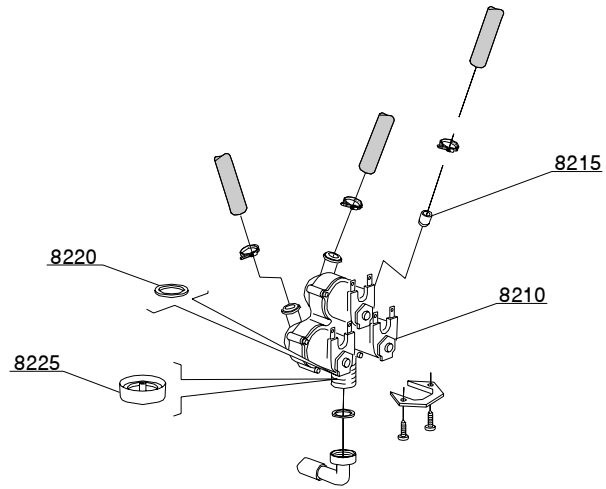
ID	P-code	Model	Type	Accessory	Voltage	Description
MODULE:Solenoid valve group						
700	10703		6U			Single solenoid valve
720	N.C.		6U			Pression reducing valve



05_003_e

Spare parts

ID	P-code	Model	Type	Accessory	Voltage	Description
MODULE:Solenoid valve group						
810	15098		6U	cr,ws		Double solenoid valve - Ø10
820	N.C.		6U	cr,ws		Pression reducing valve

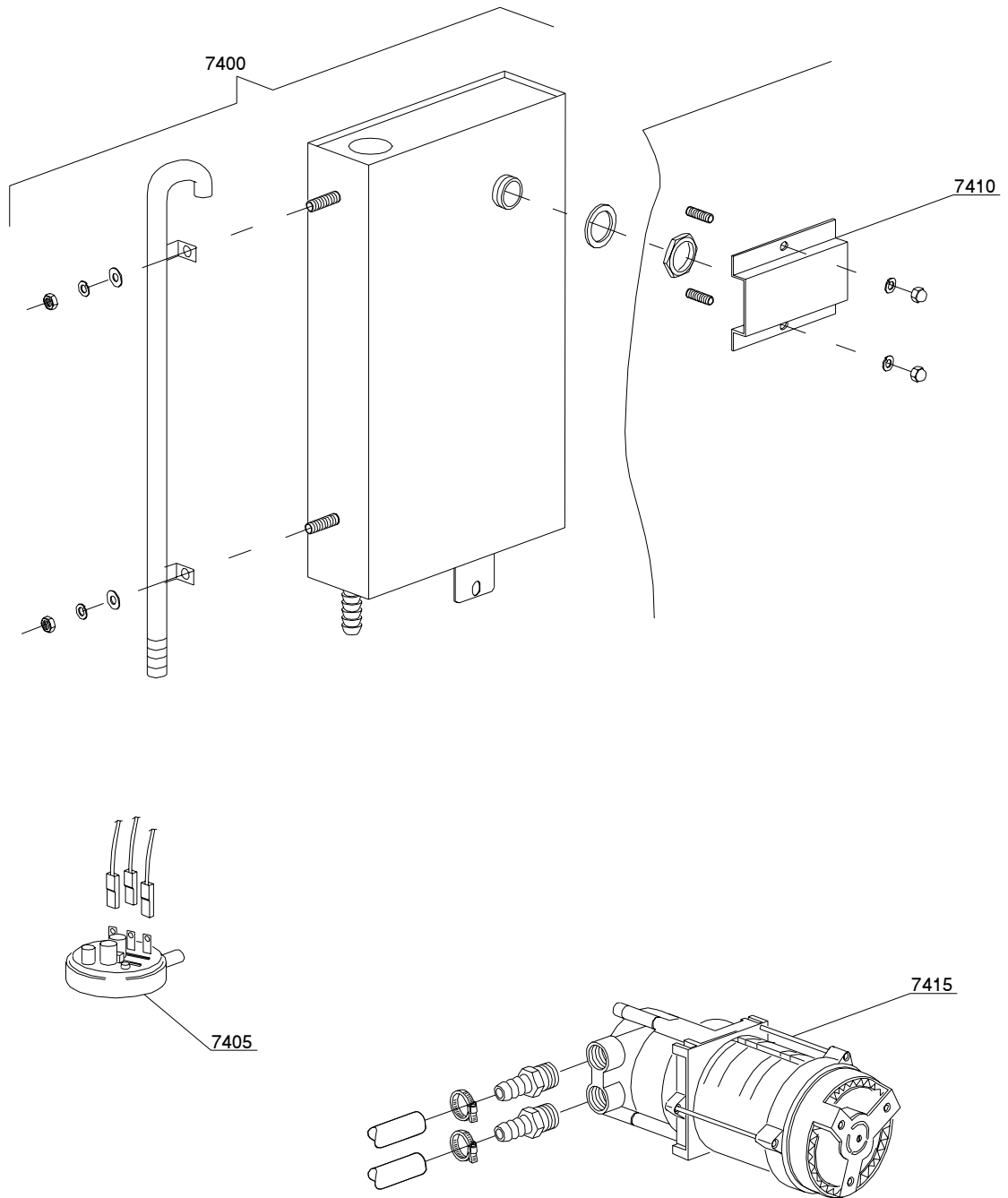


05_004_e

Spare parts

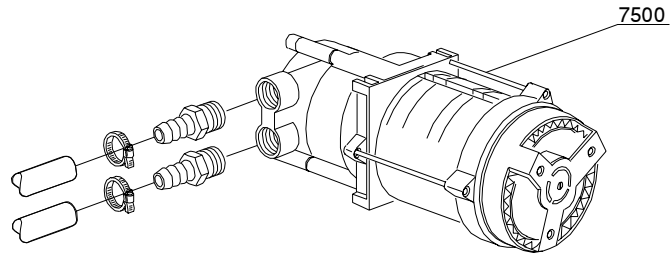
ID	P-code	Model	Type	Accessory	Voltage	Description
MODULE:Solenoid valve group						
8210	15099		6U	cr,ws		Triple solenoid valve
8215	15115		6U	cr,ws		Green pression solenoid valve

06_002_e



Spare parts

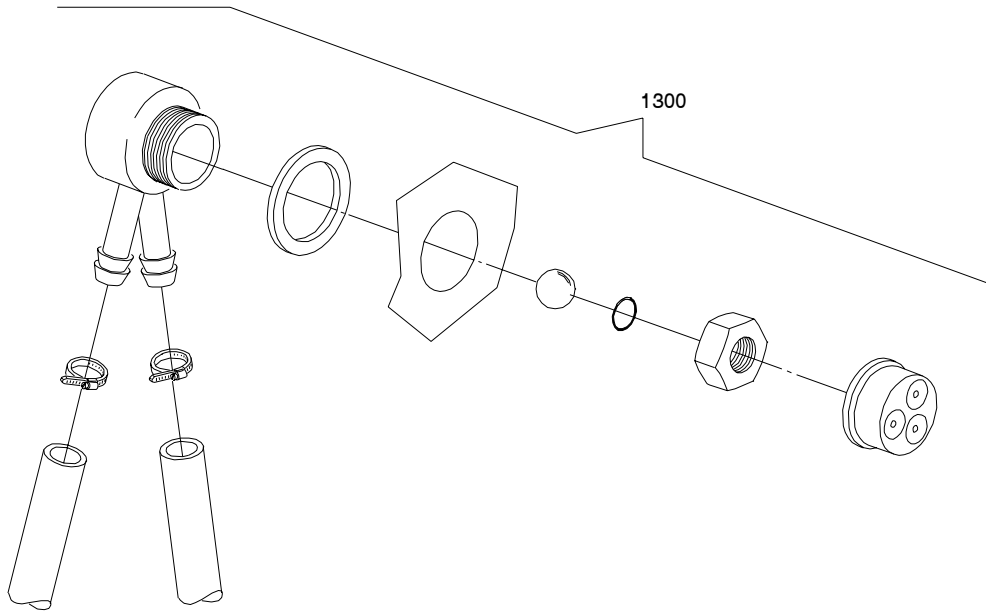
ID	P-code	Model	Type	Accessory	Voltage	Description
MODULE:Break Tank						
7400	15735		6U	bt		Break tank assembly
7405	10706/A		6U	bt		47-27 pressure switch
7410	15738		6U	bt		Hole protection
7415	15100/D		6U	bt		Booster pump



07_003_e

Spare parts

ID	P-code	Model	Type	Accessory	Voltage	Description
MODULE:Booster pump						
7500	15100/D		6U	bp		Booster pump

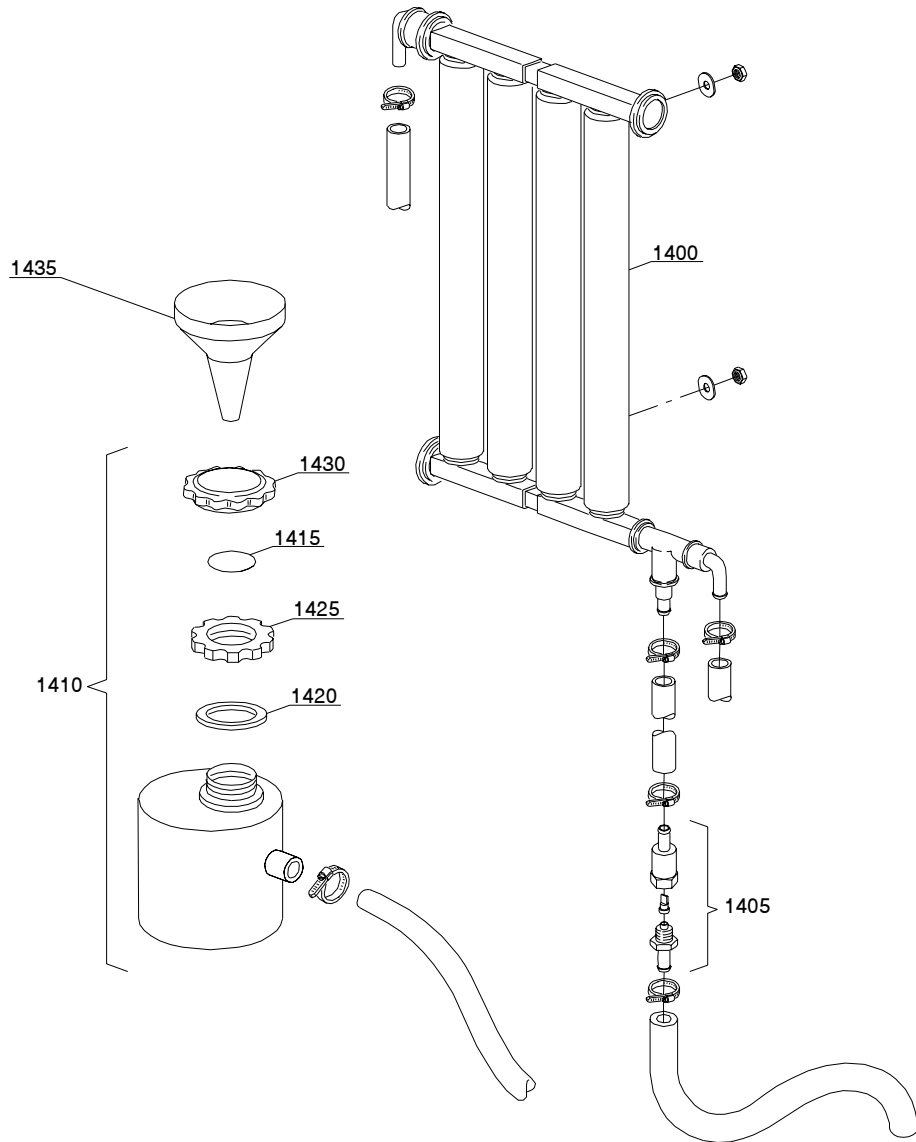


08_005_e

Spare parts

ID	P-code	Model	Type	Accessory	Voltage	Description
MODULE:DVGW						
1300	999900006		6U	dvgw		DVGW assembly

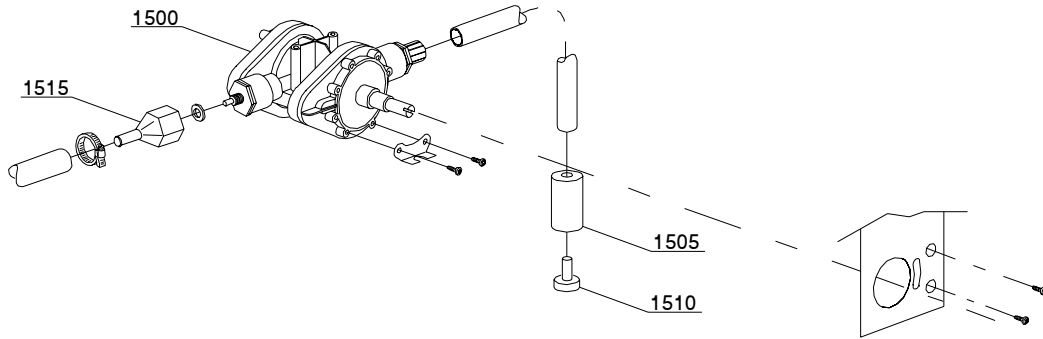
09_001_e



Spare parts

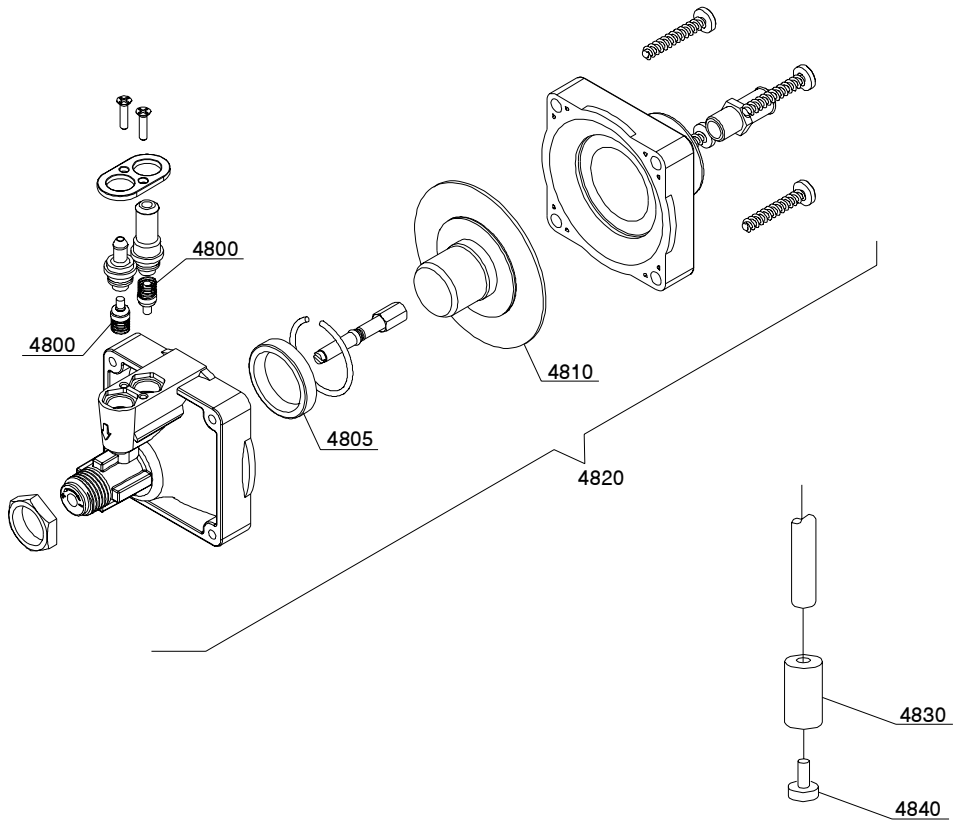
ID	P-code	Model	Type	Accessory	Voltage	Description
MODULE:Water softner group						
1400	16066		6U	ws		4 elements water softner
1405	16070		6U	ws		Nonreturn valve
1410	16065		6U	ws		Salt container
1415	16067/A		6U	ws		OR gasket
1420	16067/B		6U	ws		Gasket
1425	16067/C		6U	ws		Ring nut
1430	16067/D		6U	ws		Plug
1435	16082		6U	ws		Funnel

10_002_e



Spare parts

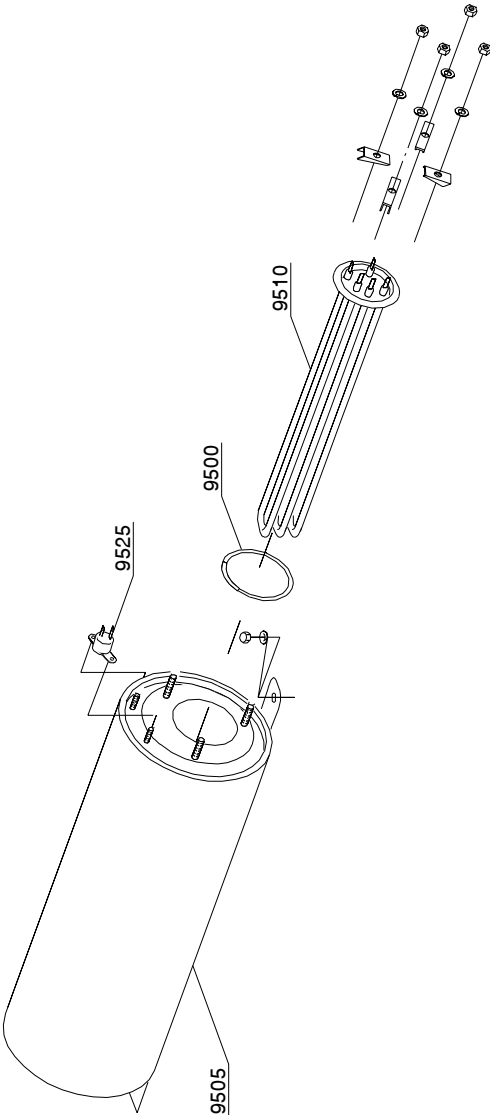
ID	P-code	Model	Type	Accessory	Voltage	Description
MODULE:Shining product dosing device group						
1500	10798		6U			Shining product dosing device
1505	12525		6U			Counter-weight
1510	15058		6U			Small filter
1515	10798/B		6U			Brass pipe fitting



10_004_e

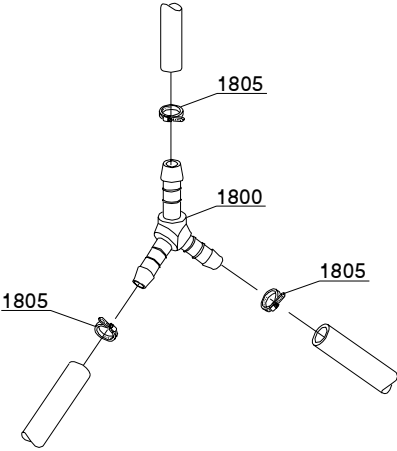
Spare parts

ID	P-code	Model	Type	Accessory	Voltage	Description
MODULE:Shining product dosing device group						
4800	10805		6U			Tecnopro dosing valve
4805	10806		6U			Ø22 gasket
4810	10807		6U			Membrane
4820	10799		6U			Shining product dosing device
4830	12525		6U			Counter-weight
4840	15058		6U			Small filter



Spare parts

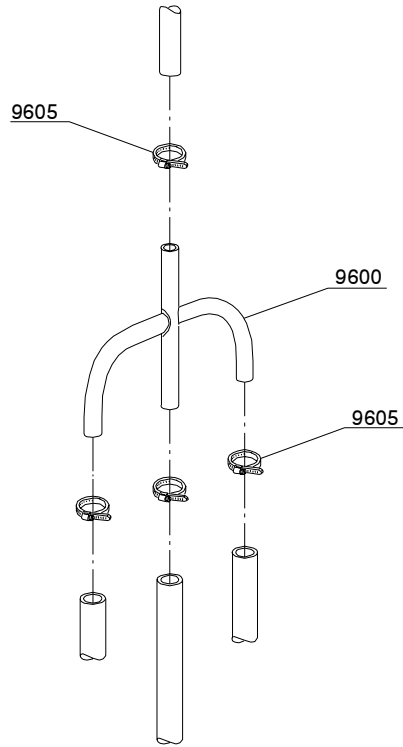
ID	P-code	Model	Type	Accessory	Voltage	Description
MODULE:Boiler group						
9500	13005		6U			OR 151 NBR gasket
9505	16904		6U			Boiler
9510	16036/A		6U			2,5KW heating element
9510	15046		6U			3KW heating element
9525	15550		6U			Safety thermostat



12_003_e

Spare parts

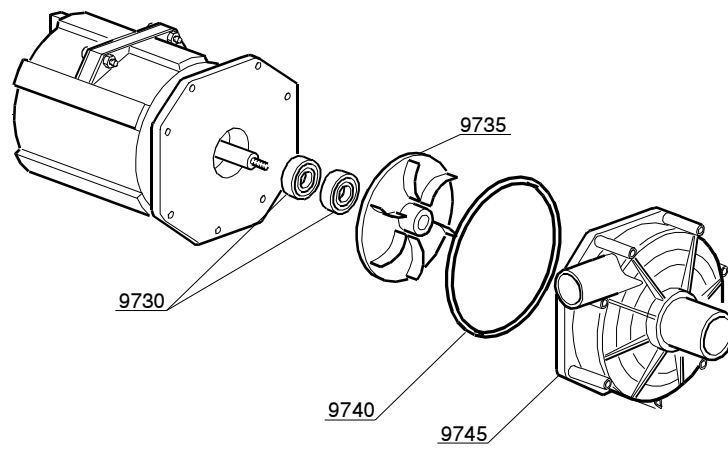
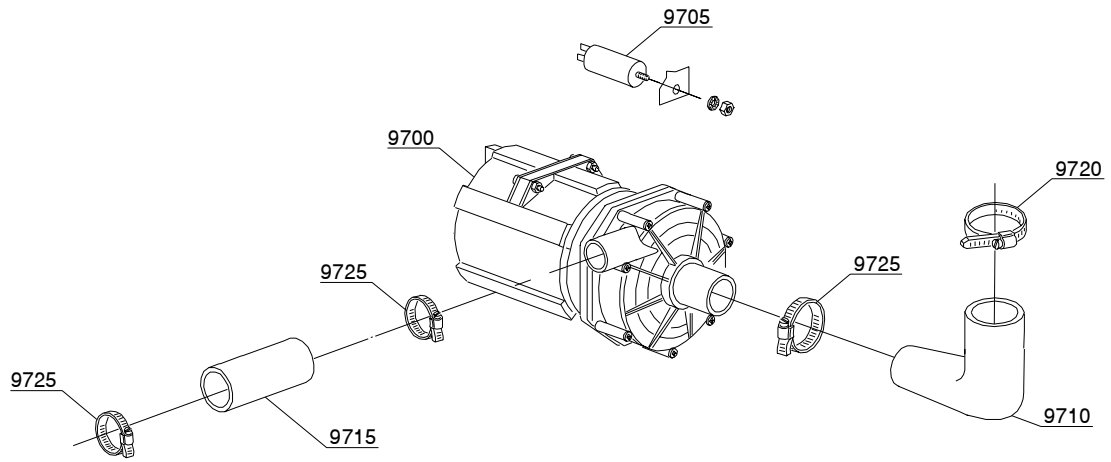
ID	P-code	Model	Type	Accessory	Voltage	Description
MODULE:3 ways derivation						
1800	540090		6U			Ø10 mm plastic 3 ways derivation
1805	11807	sd,i	6U			12/22 clamp

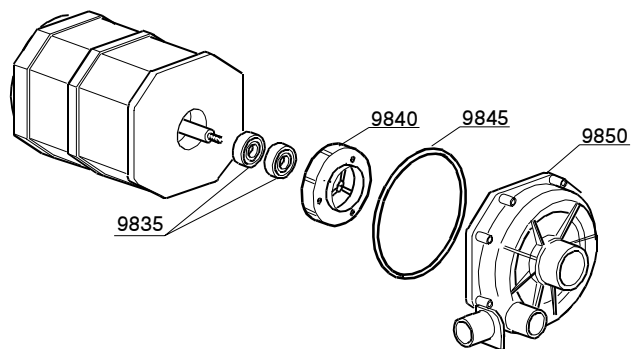
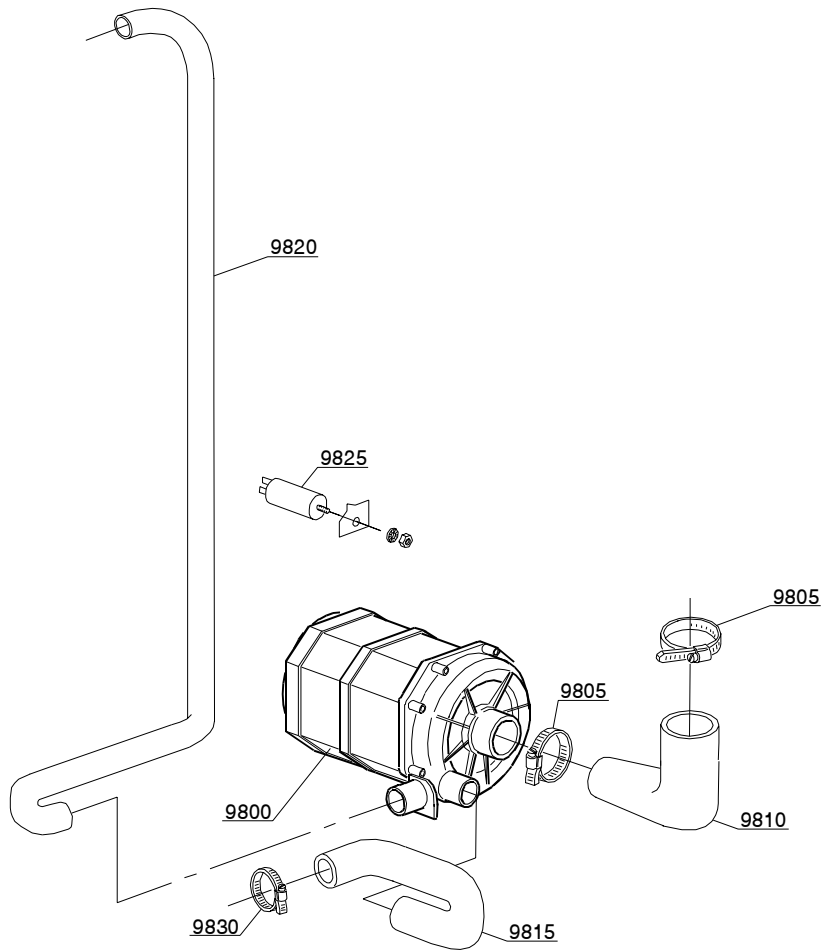


12_004_e

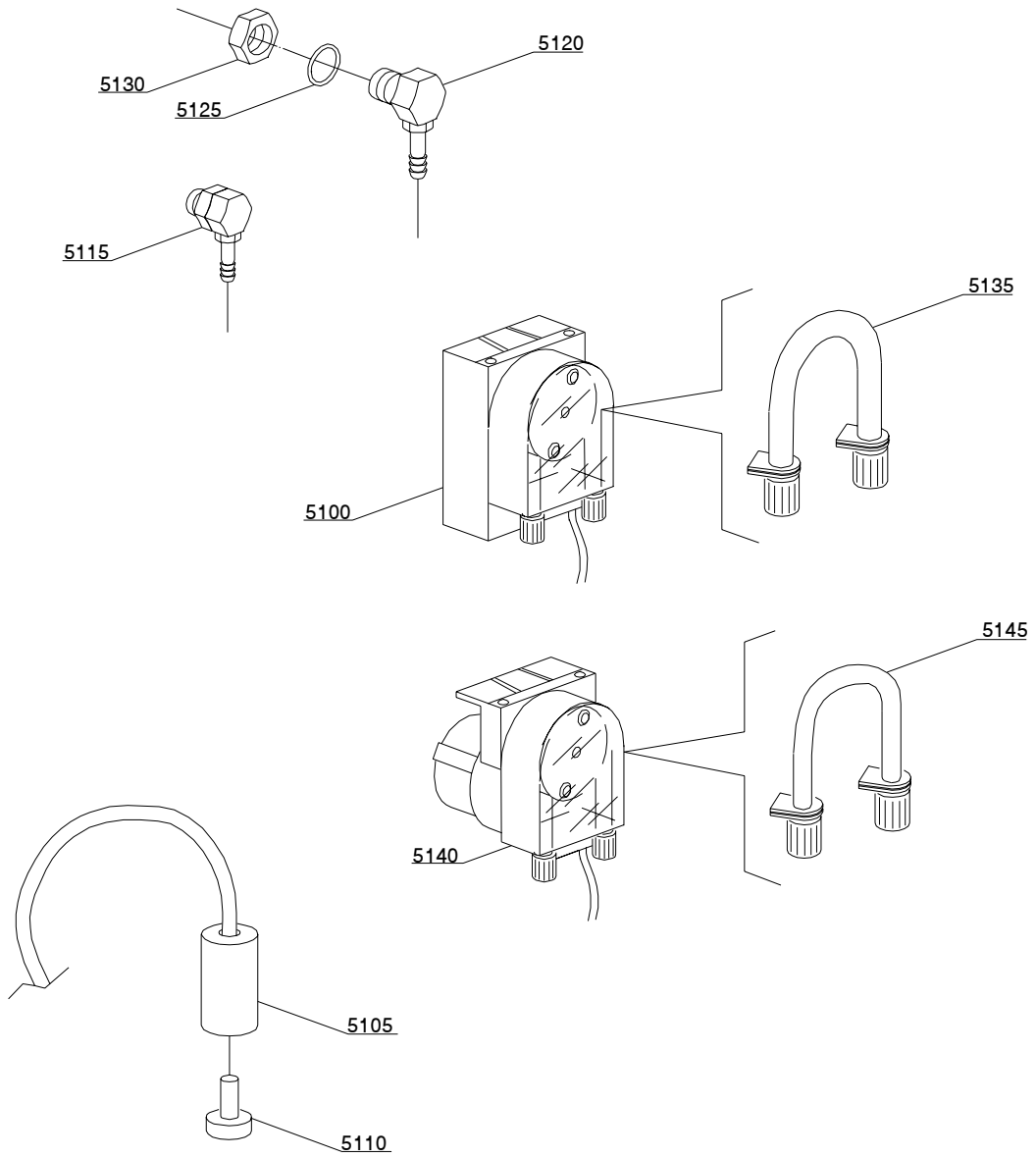
Spare parts

ID	P-code	Model	Type	Accessory	Voltage	Description
MODULE:4 ways derivation						
9600	15151		6U			Ø10 mm 4 ways derivation
9605	11807		6U			12/22 clamp





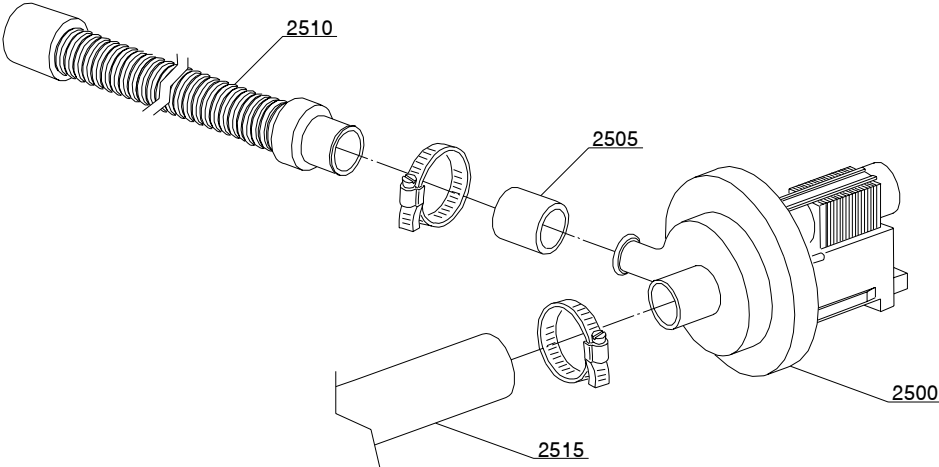
13_107_e



14_004_e

Spare parts

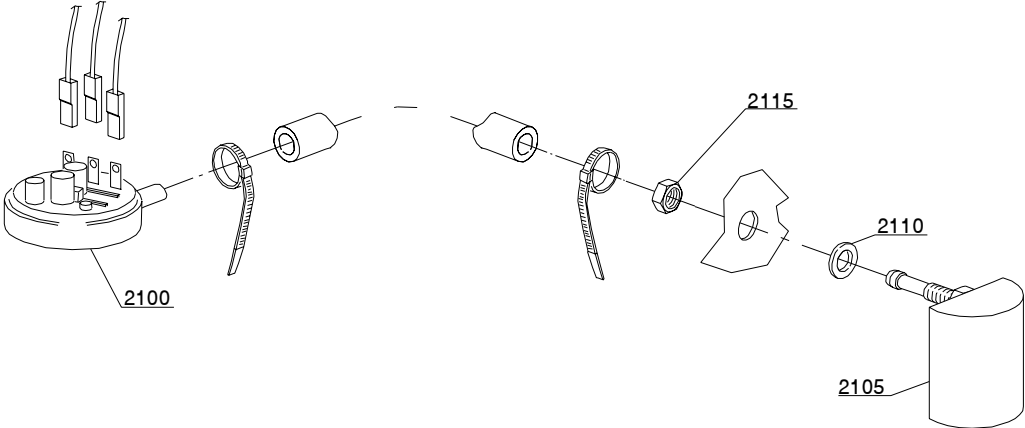
ID	P-code	Model	Type	Accessory	Voltage	Description
MODULE:Dosing device group						
5100	15985		6U	dd		Seko dosing device
5105	12525		6U	dd		Counter-weight
5110	15058		6U	dd		Small filter
5115	15123		6U	dd		Compleat plastic injector
5120	15148		6U	dd		Steel injector
5125	15159		6U	dd		OR gasket
5130	10200205		6U	dd		M12x1 stainless steel nut
5135	15185		6U	dd		Seko thermoplastic pipe
5140	15985		6U	dd		Germac dosing device
5145	15108/E		6U	dd		Germac thermoplastic pipe



15_004_e

Spare parts

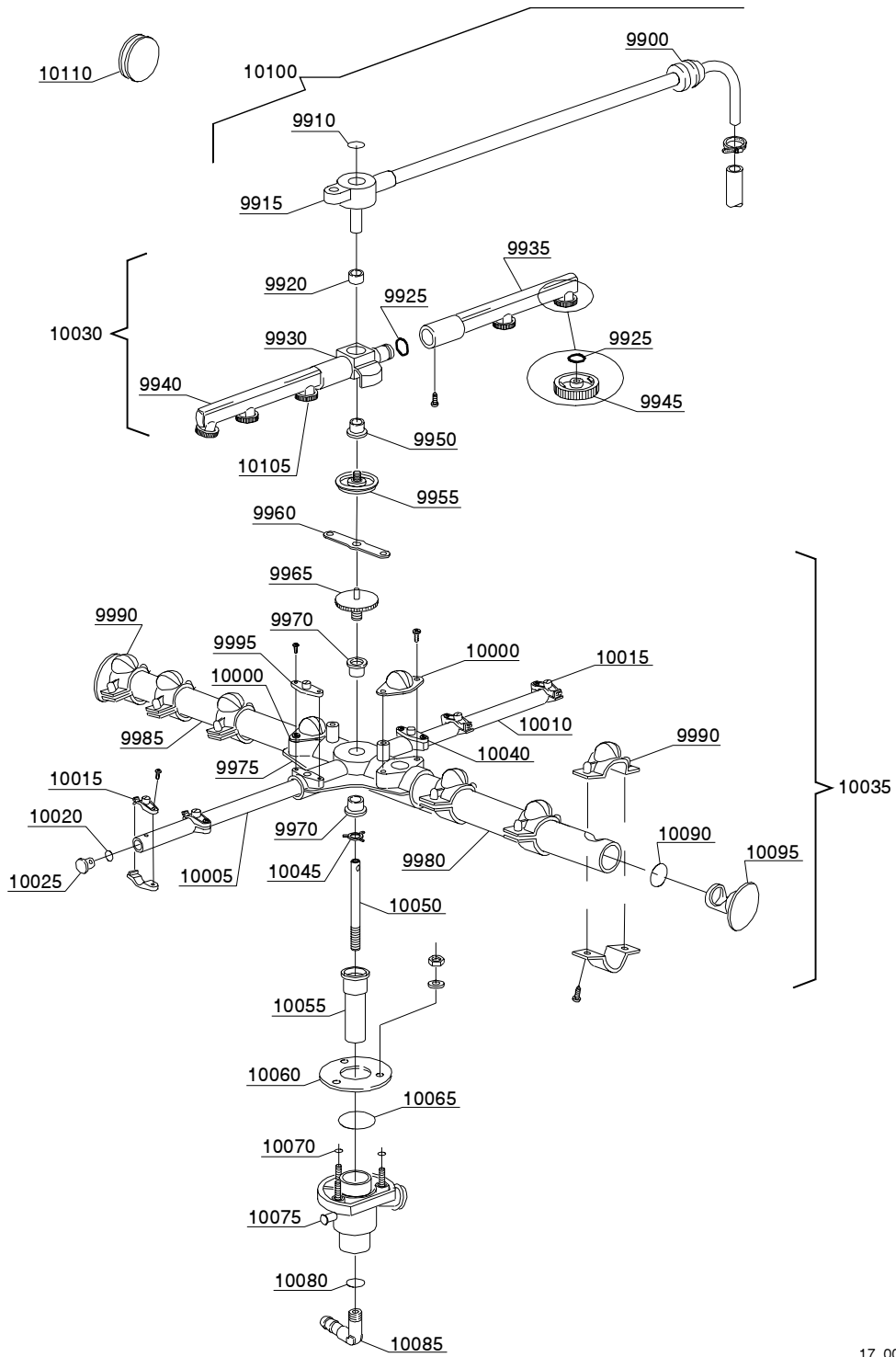
ID	P-code	Model	Type	Accessory	Voltage	Description
MODULE:Drain pump group						
2500	15101		6U	dp		Drain pump
2505	15101/D		6U	dp		Pipe fitting
2510	10727		6U	dp		Drain pipe
2515	10718		6U	dp		Drain coude/pump connection pipe



16_001_e

Spare parts

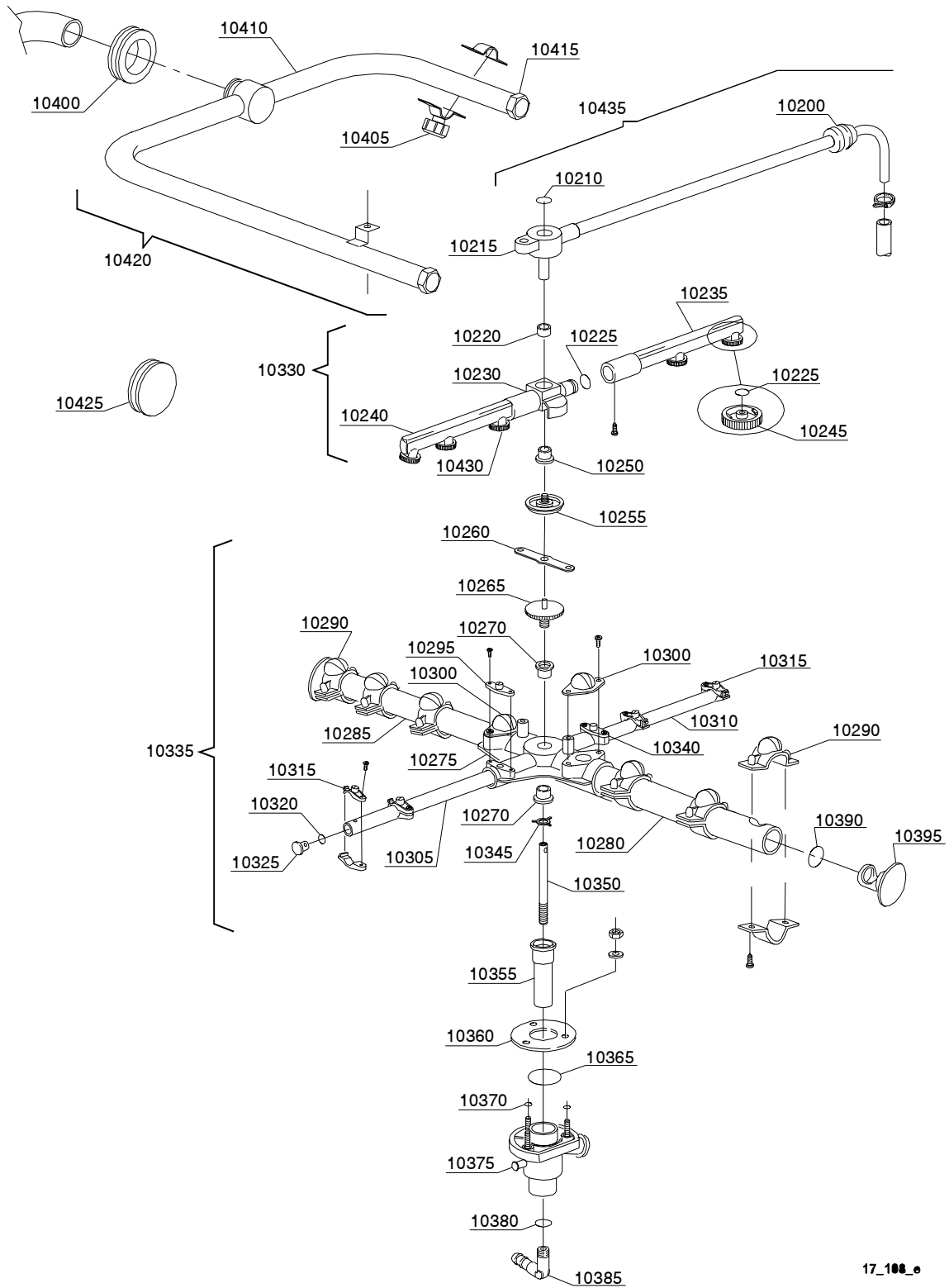
ID	P-code	Model	Type	Accessory	Voltage	Description
MODULE:Pressure switch group with air trap						
2100	10706/A		6U			47-27 pressure switch
2105	10911/B		6U			Air trap assembly
2110	13301		6U			Gasket
2115	11702		6U			M8 stainless steel nut



17_002_e

Spare parts

ID	P-code	Model	Type	Accessory	Voltage	Description
MODULE:Turret group with rotating arms						
9900	13304		6U			Pipe-pass gasket
9910	13303		6U			10x5x1 plane gasket
9915	10909		6U			Top rinse turret
9920	13320		6U			Sliding washer
9925	13002		6U			OR R6 NBR gasket
9930	10359		6U			Rinse rotor
9935	10360		6U			Right rinse pipe
9940	10361		6U			Left rinse pipe
9945	12537		6U			Opened head rinse nozzle
9950	13319		6U			Sliding washer
9955	10365		6U			Handle with insert
9960	10210		6U			Blocking ring nut rotor plaque
9965	11101/A		6U			Stainless steel group fixing screw
9970	13319		6U			Sliding washer
9975	10208		6U			4 ways small rotor
9980	16501		6U			Right wash pipe
9985	16502		6U			Left wash pipe
9990	10746		6U			Nozzle with horizontal fissure
9995	10213		6U			Ø10 opened plane nozzle
10000	10212		6U			Ø18 opened plane nozzle
10005	16503		6U			Right rinse pipe
10010	16504		6U			Left rinse pipe
10015	12528		6U			Ø10 complet rinse nozzle
10020	13016		6U			2018 OR 103 NBR gasket
10025	12532		6U			Ø10 plastic plug
10030	10996		6U			Top rinse group
10035	16950		6U			Lower wash/rinse group
10040	10217		6U			Ø10 closed plane nozzle
10045	10203		6U			Guide pipe
10050	16039		6U			Ø10x1,5x185 steel ground shaft
10055	16250		6U			Bell-shape assembly with pipe coupling
10060	16038		6U			Ø60 stainless steel disk
10065	13000		6U			OR 3125 NBR gasket
10070	13001		6U			OR 104 NBR gasket
10075	10205/A		6U			Lower wash turret with hole
10080	13003		6U			OR 112 NBR gasket
10085	12030		6U			3/8M Ø12 elbow pipe fitting
10090	13009		6U			OR 2050 NBR gasket
10095	10256		6U			Ø18 plastic plug
10100	16993		6U			Top rinse turret group
10105	12538		6U			Closed head rinse nozzle
10110	13316/A		6U			DVGW hole gasket



17_100_e

Spare parts

ID	P-code	Model	Type	Accessory	Voltage	Description
MODULE:Turret group with rotating arms						
10200	13304	uw	6U			Pipe-pass gasket
10210	13303	uw	6U			10x5x1 plane gasket
10215	10909	uw	6U			Top rinse turret
10220	13320	uw	6U			Sliding washer
10225	13002	uw	6U			OR R6 NBR gasket
10230	10359	uw	6U			Rinse rotor
10235	10360	uw	6U			Right rinse pipe
10240	10361	uw	6U			Left rinse pipe
10245	12537	uw	6U			Opened head rinse nozzle
10250	13319	uw	6U			Sliding washer
10255	10365	uw	6U			Handle with insert
10260	10210	uw	6U			Blocking ring nut rotor plaque
10265	11101/A	uw	6U			Stainless steel group fixing screw
10270	13319	uw	6U			Sliding washer
10275	10208	uw	6U			4 ways small rotor
10280	16501	uw	6U			Right wash pipe
10285	16502	uw	6U			Left wash pipe
10290	10746	uw	6U			Nozzle with horizontal fissure
10295	10213	uw	6U			Ø10 opened plane nozzle
10300	10212	uw	6U			Ø18 opened plane nozzle
10305	16503	uw	6U			Right rinse pipe
10310	16504	uw	6U			Left rinse pipe
10315	12528	uw	6U			Ø10 complet rinse nozzle
10320	13016	uw	6U			2018 OR 103 NBR gasket
10325	12532	uw	6U			Ø10 plastic plug
10330	10996	uw	6U			Top rinse group
10335	16950	uw	6U			Lower wash/rinse group
10340	10217	uw	6U			Ø10 closed plane nozzle
10345	10203	uw	6U			Guide pipe
10350	16039	uw	6U			Ø10x1,5x185 steel ground shaft
10355	16250	uw	6U			Bell-shape assembly with pipe coupling
10360	16038	uw	6U			Ø60 stainless steel disk
10365	13000	uw	6U			OR 3125 NBR gasket
10370	13001	uw	6U			OR 104 NBR gasket
10375	10205/A	uw	6U			Lower wash turret with hole
10380	13003	uw	6U			OR 112 NBR gasket
10385	12030	uw	6U			3/8M Ø12 elbow pipe fitting
10390	13009	uw	6U			OR 2050 NBR gasket
10395	10256	uw	6U			Ø18 plastic plug
10400	13306/A	uw	6U			Top wash ramp gasket
10405	18135	uw	6U			Wash nozzle
10410	16161	uw	6U			Top wash pipe
10415	12503	uw	6U			Plug
10420	16920	uw	6U			Top wash group

Spare parts

ID	P-code	Model	Type	Accessory	Voltage	Description
10425	13316/A	uw	6U			DVGW hole gasket
10430	12538	uw	6U			Closed head rinse nozzle
10435	16993	uw	6U			Top rinse turret group