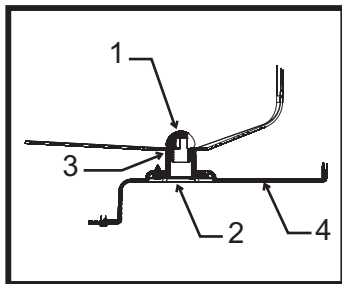
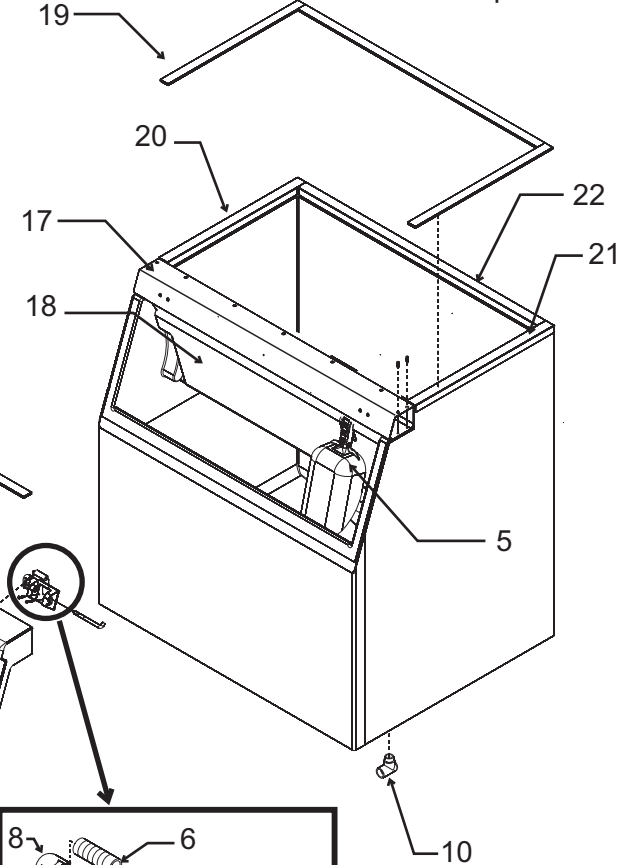


Bins, Condensers, and Accessories Service Parts

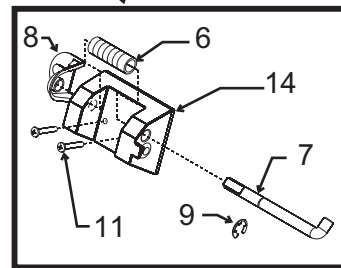
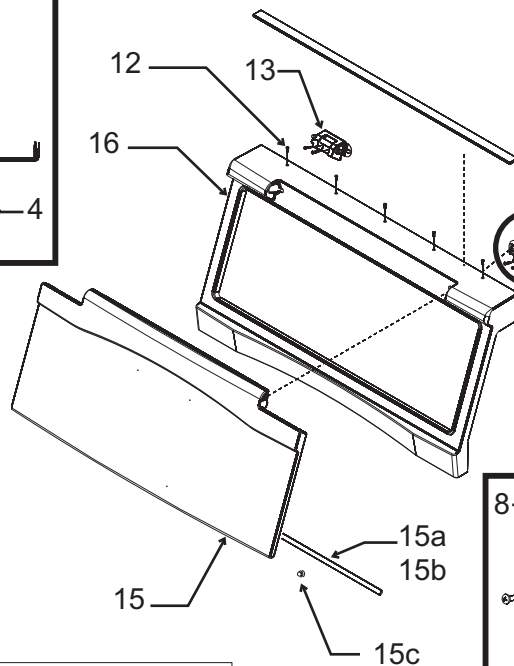
B222, B322, B330, B530, B842, B948

Item Number	Part Number	Description	Item Number	Part Number	Description
1	02-2809-01	Drain top	17	A38920-001	Canopy, B222, B322
2	02-3108-01	Drain fitting		A38921-001	Canopy, B330, B530
3	02-4193-01	Drain gasket		A38922-001	Canopy, B842
4	02-4234-01	Drain panel, SS only		A38923-001	Canopy, B948
5	02-0540-01	Scoop	18	A38910-001	Baffle, B222, B322
6	03-3876-01	Spring*		A38911-001	Baffle, B330, B530
7	03-3874-01	Hinge pin*		A38912-001	Baffle, B842
8	13-0946-01	Hinge gasket		A38913-001	Baffle, B948
9	03-1539-12	E clip*	19	13-0943-02	Gasket, 22" use 86" Gasket, 30" use 102" Gasket, 42" use 126" Gasket, 48" use 136"
10	05-0586-01	Elbow for drain	20	A38907-001	Left cap - ss bin
11	03-1403-71	Screw, hinge to canopy		A39240-001	Left cap - plastic bin
12	03-1418-30	Screw, frame to canopy	21	A38908-001	Right cap - ss bin
13	02-4232-01	Left hinge mount*		A29241-001	Right cap - plastic bin
14	02-4233-01	Right hinge mount*	22	A38977-001	22" back cap
15	A38914-021	Door, B222, B322		A38978-001	30" back cap
	A38915-021	Door, B330, B530		A38979-001	42" back cap
	A38916-021	Door, B842		A38980-001	48" back cap
15a	13-0595-00	B842 door gasket, use 27.5"			
	A38917-021	Door, B948			
15b	13-0595-00	B948 door gasket, use 33.5"			
15c	02-4235-01	Bumper, 22" and 30" only			
16	02-4236-01	Frame, B222, B322			
	02-4237-01	Frame, B330, B530			
	02-4238-01	Frame, B842			
	02-4239-01	Frame, B948			

17	A38920-001	Canopy, B222, B322
	A38921-001	Canopy, B330, B530
	A38922-001	Canopy, B842
	A38923-001	Canopy, B948
18	A38910-001	Baffle, B222, B322
	A38911-001	Baffle, B330, B530
	A38912-001	Baffle, B842
	A38913-001	Baffle, B948
19	13-0943-02	Gasket, 22" use 86" Gasket, 30" use 102" Gasket, 42" use 126" Gasket, 48" use 136"
20	A38907-001	Left cap - ss bin
	A39240-001	Left cap - plastic bin
21	A38908-001	Right cap - ss bin
	A29241-001	Right cap - plastic bin
22	A38977-001	22" back cap
	A38978-001	30" back cap
	A38979-001	42" back cap
	A38980-001	48" back cap



Drain Detail



Hinge Detail

* Replacement of frame recommended when servicing hinge parts.

Order kit KLP7 for a set of 4 legs.