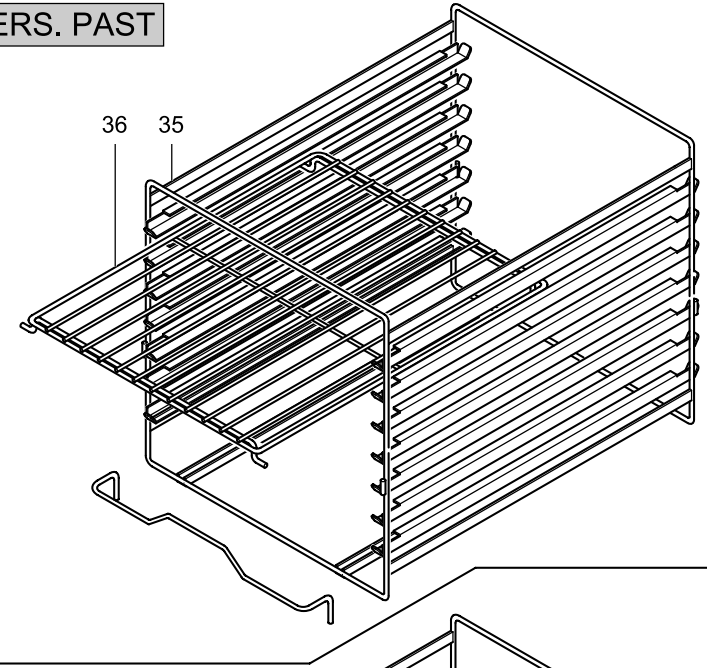
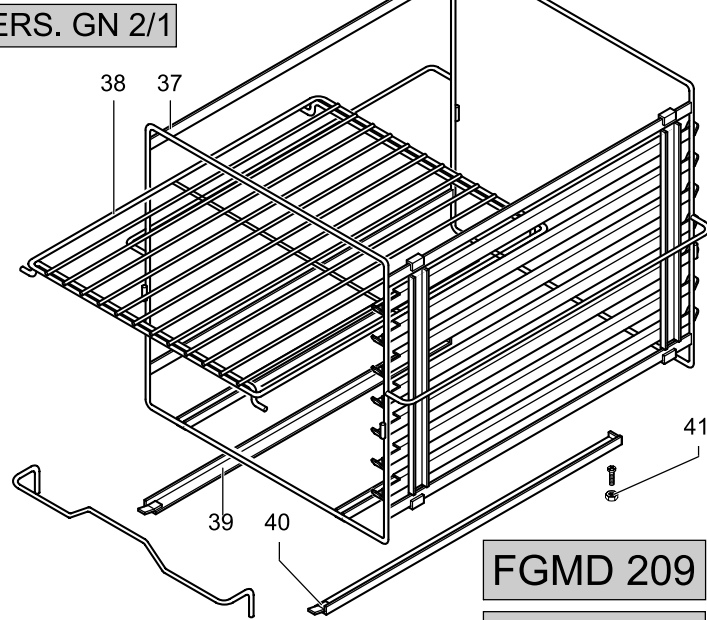


VERS. PAST



VERS. GN 2/1

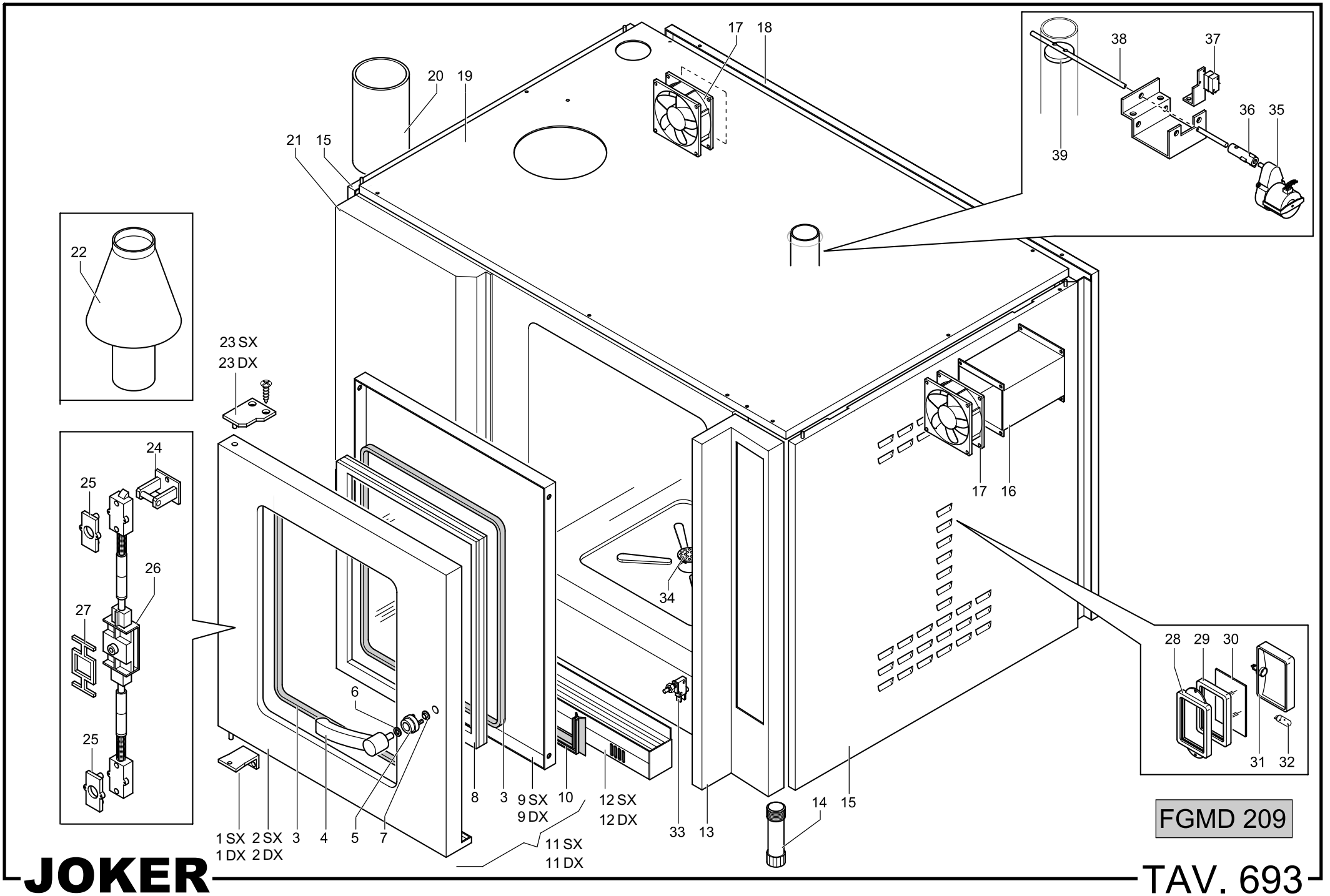


FGMD 209  
FGMD 207

**JOKER**

TAV. 657

|                |    |            |                                 |                                 |                                |                                 |
|----------------|----|------------|---------------------------------|---------------------------------|--------------------------------|---------------------------------|
| FORNI TAV. 657 | 1  | PAFOC00342 | CONV.ARIA FGC200                | CONVOYEUR AIR                   | AIR CONVEYOR                   | LUFTFÖRDERER                    |
| FORNI TAV. 657 | 2  | RTFOC00313 | TU.UMIDIFICATORE FEC200         | HUMIDIFICATEUR                  | HUMIDIFIER                     | BEFEUCHTER                      |
| FORNI TAV. 657 | 3  | RTFOC00156 | NEBULIZZATORE FGC200            | NÉBULISATEUR                    | DISTRIBUTOR                    | ZERSTÄUBER                      |
| FORNI TAV. 657 | 4  | RTFOC00314 | GIRANTE VENT.FEC200 D.350       | MOBILE 50HZ                     | IMPELLER 50HZ                  | LAUFRAD 50HZ                    |
| FORNI TAV. 657 | 5  | RTFOC00118 | V.FIS.GIRANTE FCV.M8X31,5/SX    | VITE FISSAGGIO GIRANTE          | FIXINGSCREW IMPELLER           | BEFESATIGUNGSSCHRAUBE LAUFRAD   |
| FORNI TAV. 657 | 6  | RTFOC00323 | GRIGLIA PROT.VENT.FCV20G.INOX   | GRILLE DE PROTECTION            | GRILL IMPELLER PROTECTION      | SCHUTZGITTERSCHORNSTEIN         |
| FORNI TAV. 657 | 7  | RTFOC00332 | BRUC.FGC200 103189310           | BRÛLEUR CHAMBRE DE COMBUSTION   | BURNER CHAMBER                 | BRENNER KAMMER                  |
| FORNI TAV. 657 | 8  | PAFOC00368 | CAND.RILEV.BRUCIATORE FGM202    | ELECTRODE DÉTECTION             | SPARK PLUG DI RILEVAZ.         | ZÜNDKERZE                       |
| FORNI TAV. 657 | 9  | RTFOC00334 | AT.RAPIDO K1610/TA16/C16X       | ATTAQUE RAPIDE                  | CONNECTION                     | SCHNELLANSCHLUSS                |
| FORNI TAV. 657 | 10 | RTCP800062 | INIET.1/4"D.3.25 K              | MÉTHANE INJECTEUR G20 Ø 3,25K   | METHANE INJECTOR G20 Ø 3,25K   | METHANGAS-EINSPRI. Ø3,25K       |
| FORNI TAV. 657 | 10 | RTBF800333 | INIET.1/4"D.2.00 L              | INJECTEURGPL 29-37MBAR 200L     | INJECTORGPL 29-37MBAR 200L     | EINSPRITZERGPL 29-37MBAR 200L   |
| FORNI TAV. 657 | 10 | RTFOC00388 | INIET.1/4"D.1.65/3.00 W         | INJECTEURGPL 50MBAR 165÷300W    | INJECTORGPL 50MBAR 165÷300W    | EINSPRITZERGPL 50MBAR 165÷300W  |
| FORNI TAV. 657 | 11 | RTFOC00326 | AS.SUP.INIET.F.FGC200 ZINC.     | SUPPORT INJECTEUR               | SUPPORT INJECTOR               | HALTERUNG EINSPRITZER           |
| FORNI TAV. 657 | 12 | RTCP900034 | GOMITO FE.MF.1/2"ZINC.          | COURBE M-FG 1/2"                | ELBOW M-FG 1/2"                | KNIESTÜCK 1/2"                  |
| FORNI TAV. 657 | 13 | RTCP900087 | NIPLES CP OT/M/1/2"XM20/D.14    | NIPLES 1/2" X M20               | NIPLES 1/2" X M20              | NIPPEL 1/2" X M20               |
| FORNI TAV. 657 | 13 | RTCP900087 | NIPLES CP OT/M/1/2"XM20/D.14    | NIPLES 1/2" X M20               | NIPLES 1/2" X M20              | NIPPEL 1/2" X M20               |
| FORNI TAV. 657 | 14 | RTCP900088 | BICONO D.14 CP                  | BICONE                          | DOUBLE CONE                    | DOPPELKONUS                     |
| FORNI TAV. 657 | 14 | RTCP900088 | BICONO D.14 CP                  | BICONE                          | DOUBLE CONE                    | DOPPELKONUS                     |
| FORNI TAV. 657 | 15 | RTCP900089 | CALOTTA OT.D.14 CP              | ECROU                           | NUT                            | MUTTER                          |
| FORNI TAV. 657 | 15 | RTCP900089 | CALOTTA OT.D.14 CP              | ECROU                           | NUT                            | MUTTER                          |
| FORNI TAV. 657 | 16 | RTFOC00331 | TU.AL.BRUC.FGC200               | TUYAU D'ALIMENTATION DU BRÛLEUR | BURNER CHAMBER PIPE            | ROHR KAMMER                     |
| FORNI TAV. 657 | 17 | RTFOC00603 | AS.RAMPA FGC200 ZINC.           | RAMPE                           | RAMP                           | RAMPE                           |
| FORNI TAV. 657 | 18 | RTFOC00100 | GUARNIZ.AS.RAMPA FGC060         | GARNITURE RAMPE DU GAZ          | GASKET RAMP GAS                | DICHTUNG RAMPE GAS              |
| FORNI TAV. 657 | 19 | RTFOC00258 | CORPO V.FGM69/0822112           | VALVE GAS                       | VALVE GAS                      | VENTIL GAS                      |
| FORNI TAV. 657 | 20 | RTFOC00066 | MOTORE VENT.FEC100 M8035E31761  | MOTEUR                          | MOTOR                          | MOTOR                           |
| FORNI TAV. 657 | 21 | RTFOC00022 | ELETTROVALVOLA                  | SOUPAPE                         | ELECTRIC VALVE                 | ELEKTROVENTIL                   |
| FORNI TAV. 657 | 21 | RTFOC00022 | ELETTROVALVOLA                  | SOUPAPE                         | ELECTRIC VALVE                 | ELEKTROVENTIL                   |
| FORNI TAV. 657 | 22 | RTFOC00145 | REGOL. DI PORTATA BOILER        | RÉGULATEUR DE PORTÉE BOILER     | BOILER FLOW REGULATOR          | DURCHFLUSSREGLER BOILER         |
| FORNI TAV. 657 | 23 | RTFOC00626 | RACCORDO P/GOMMA FCV 0502001    | RACCORD SOUPLE                  | UNION RUBBER                   | ANSCHLUSS GUMMI                 |
| FORNI TAV. 657 | 24 | GRFOC00274 | GRUPPO REGOLATORE PRESSIONE FCV | RÉGULATEUR PRESSION + MANOMÈTRE | PRESSURE REGULATOR + MANOMETER | DRUCKREGLER + SICHERHEITSVENTIL |
| FORNI TAV. 657 | 26 | RTFOC00726 | REGOLAT.E/VALV.FCV.VERDE        | RÉGULATEUR DE PORTÉE            | FLOWREGULATOR                  | DURCHSTRÖMUNGSREGLER            |
| FORNI TAV. 657 | 27 | RTFOC00310 | TU.AL.ACQ.UMIDIF.FEC200         | TUBE HUMIDIFICATEUR             | PIPE HUMIDIFIER                | ROHR BEFEUCHTER                 |
| FORNI TAV. 657 | 28 | RTFOC00020 | CALOTTA UMIDIF.FCV.             | ECROU                           | NUT                            | MUTTER                          |
| FORNI TAV. 657 | 28 | RTFOC00020 | CALOTTA UMIDIF.FCV.             | ECROU                           | NUT                            | MUTTER                          |
| FORNI TAV. 657 | 29 | RTCU900018 | BICONO D.6 PEL0905              | BICONE POUR TUBE Ø 6            | BICONE FOR PIPE Ø 6            | ZWEIKEGEL Ø 6                   |
| FORNI TAV. 657 | 29 | RTCU900018 | BICONO D.6 PEL0905              | BICONE POUR TUBE Ø 6            | BICONE FOR PIPE Ø 6            | ZWEIKEGEL Ø 6                   |
| FORNI TAV. 657 | 30 | RTFOC00557 | INIET.UMIDIF.FCV D.1.5          | INJECTEUR HUMIDIFICATEUR        | INJECTOR HUMIDIFIER            | EINSPRITZER BEFEUCHTER          |
| FORNI TAV. 657 | 31 | RTFOC00620 | RAMPA SC.COND.FGMD200/1         | RAMPE DE DÉCHARGEMENT CONDENSE  | RAMP CONDENSE                  | RAMPE DUNSTABZUG                |
| FORNI TAV. 657 | 32 | RTFOC00529 | INIET.AB.VAP.10G 1/8GGA-4.3W    | INJECTEUR DÉTACHEMENT VAPEUR    | INIETT. VAPOUR                 | EINSPRITZER DAMPF               |
| FORNI TAV. 657 | 33 | RTFOC00702 | TUBO ABBATTIMENTO VAPORE        | TUYAU DÉTACHEMENT VAPEUR        | PIPE STEAM                     | ROHR DAMPF                      |
| FORNI TAV. 657 | 34 | PAFOC00367 | CAND.ACC.BRUCIATORE FGM202      | ELECTRODE                       | SPARK PLUG                     | ZÜNDKERZE                       |
| FORNI TAV. 657 | 35 | RTFOC00383 | GABBIA P/TEGLIE+MANIGL.FEP160   | CAGE PÂTISSERIE                 | CAGE PASTRY                    | KÄFIG GEBÄCK                    |
| FORNI TAV. 657 | 36 | RTFOC00285 | GRIGLIA F.FCV/16G CROM.         | GRILLE PÂTISSERIE               | GRILL PASTRY                   | GRILL GEBÄCK                    |
| FORNI TAV. 657 | 37 | RTFOC00318 | GABBIA P/TEGLIE+MANIG.FCV/20GN  | CAGE GN 2/1                     | CAGE GN 2/1                    | KÄFIG GN 2/1                    |
| FORNI TAV. 657 | 38 | RTFOC00287 | GRIGLIA FORNO GN 2/1            | GRILLE DU FOUR GN 2/1           | GRILL OVEN GN 2/1              | GRILL HERD GN 2/1               |
| FORNI TAV. 657 | 39 | GAFOC00133 | AS.GUIDA P/GABBIA SX FCV2       | GUIDE GAUCHE                    | LEFT GUIDE                     | FHRUNG LINKS                    |
| FORNI TAV. 657 | 40 | GAFOC00131 | AS.GUIDA P/GABBIA DX FCV2       | GUIDE DROITE                    | RIGHT GUIDE                    | FHRUNG RECHTS                   |
| FORNI TAV. 657 | 41 | RTFOC00316 | DISTANZ.GUIDA P/GABBIA FEC200   | ENTRTOISE                       | SPACER                         | DISTANZSTÜCK                    |

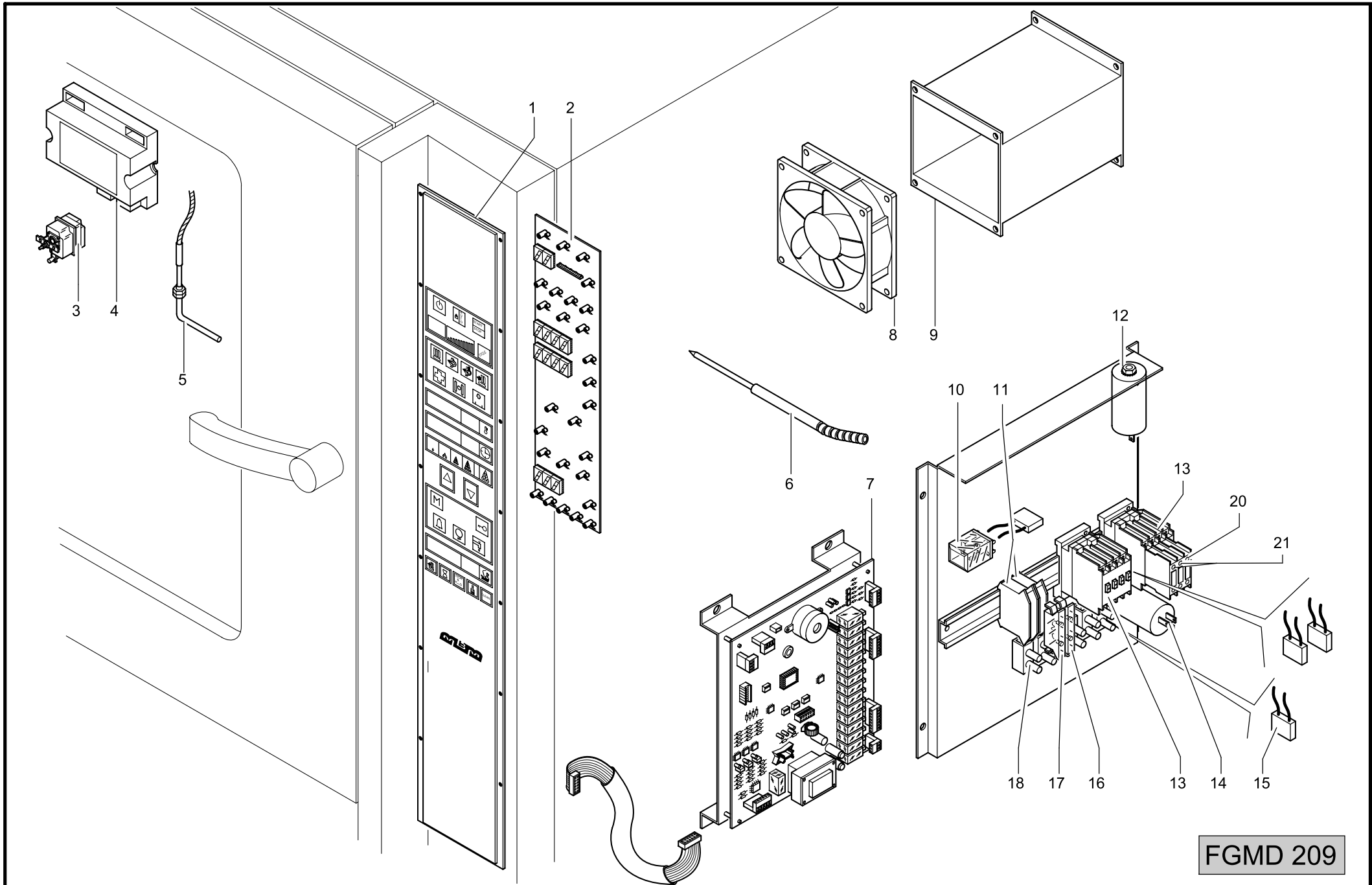


**JOKER**

FGMD 209

TAV. 693

|                |    |            |                                |  |                               |                          |
|----------------|----|------------|--------------------------------|--|-------------------------------|--------------------------|
| FORNI TAV. 693 | 1  | RTFOC00739 | CERNIERA INFER.DX P.F.         | CHARNIÈRE INFÉRIEUR DROITE PORTE DU FOUR | INGE PIN INFER.RIGHT          | TÜRANGEL UNTENRECHTS     |
| FORNI TAV. 693 | 1  | RTFOC00738 | CERN.INF.P.F.SX FCV2           | CHARNIÈRE INFÉRIEUR GAUCHE PORTE DU FOUR | INGE PIN INFER.LEFT           | TÜRANGEL UNTENLINKS      |
| FORNI TAV. 693 | 2  | GAFOC00226 | AS.PORTA F.SX FCV2/1           | PORTE DU FOUR GAUCHE                     | OVEN DOOR LEFT                | OFENTÜR LINKS            |
| FORNI TAV. 693 | 2  | GAFOC00227 | AS.PORTA F.DX FCV2/1           | PORTE DU FOUR DROITE                     | OVEN DOOR RIGHT               | OFENTÜR RECHTS           |
| FORNI TAV. 693 | 3  | MPGOM03P00 | GUARNIZIONE VETRO              | GARNITURE VERRE                          | GASKET GLASS                  | GLASDICHTUNG             |
| FORNI TAV. 693 | 4  | RTFOC00360 | MANIGLIA                       | POIGNÉE                                  | HANDLE                        | HANDGRIFF                |
| FORNI TAV. 693 | 5  | RTFOC00401 | BASETTA MANIGLIA               | EPAISSEUR POIGNÉE                        | HANDLE                        | HANDGRIFF                |
| FORNI TAV. 693 | 6  | RTFOC00338 | ANELLO EST.MAN.P.F.FCV.        | ANNEAU EXT. POIGNÉE PORTE DU FOUR        | OUTWARD RING OVEN DOOR HANDLE | HANDGRIFF                |
| FORNI TAV. 693 | 7  | RTFOC00337 | ANELLO INT.GRADINO MAN.P.F.FCV | ANNEAU INTERIEUR EPAISSEUR               | INNER RING                    | INNENRING                |
| FORNI TAV. 693 | 8  | RTFOC00471 | CRISTALLO P.F.FEC100 C/VALV.   | VERRE CHAUFFE                            | GLASS CHAMBER                 | GLAS KAMMER              |
| FORNI TAV. 693 | 9  | GAFOC00228 | AS.C/PORTA F.SX FCV2/1         | C/PORTE DU FOUR GAUCHE                   | C/OVEN DOOR LEFT              | C/OFENTÜR LINKS          |
| FORNI TAV. 693 | 9  | GAFOC00229 | AS.C/PORTA F.DX FCV2/1         | C/PORTE DU FOUR DROITE                   | C/OVEN DOOR RIGHT             | C/OFENTÜR RECHTS         |
| FORNI TAV. 693 | 10 | RTFOC00722 | GUARNIZ.P.F.FEC100 GIUNTATA    | GARNITURE PORTE                          | GASKET DOOR                   | TÜRDICHTUNG              |
| FORNI TAV. 693 | 11 | GRFOC00273 | GRUPPO PORTA FORNO DX          | GROUPE PORTE DU FOUR DROITE              | UNIT OVEN DOOR RIGHT          | GRUPPE OFENTÜR RECHTS    |
| FORNI TAV. 693 | 11 | GRFOC00215 | *GRUPPO PORTA FORNO SX FCV2/1  | GROUPE PORTE DU FOUR GAUCHE              | UNIT OVEN DOOR LEFT           | GRUPPE OFENTÜR LINKS     |
| FORNI TAV. 693 | 12 | GAFOC00224 | AS.CASSETTO SX FCV2/1          | BASSIN GAUCHE                            | TRAY LEFT                     | SCHUBLADE LINKS          |
| FORNI TAV. 693 | 12 | GAFOC00253 | AS.CASSETTO DX FCV2/1          | BASSIN DROITE                            | TRAY RIGHT                    | SCHUBLADE RECHTS         |
| FORNI TAV. 693 | 13 | GAFOC00222 | AS.CRUSCOTTO FGM202/1          | PANNEAU DE CONTRÔLE                      | DASH BOARD                    | STIRNBRETT               |
| FORNI TAV. 693 | 14 | RTFOC00556 | PIEDINO+T.FGC200/185 1"1/2     | PIED                                     | FOOT                          | FUSS                     |
| FORNI TAV. 693 | 15 | PAFOC00284 | FIANCO FEC200                  | CÔTÉ DROITE-GAUCHE                       | SIDEPANEL RIGHT-LEFT          | SEITENTEIL RECHTS-LINKES |
| FORNI TAV. 693 | 15 | PAFOC00284 | FIANCO FEC200                  | CÔTÉ DROITE-GAUCHE                       | SIDEPANEL RIGHT-LEFT          | SEITENTEIL RECHTS-LINKES |
| FORNI TAV. 693 | 16 | GAFOC00119 | AS.CONV.CALORE FEM69           | CONVOYER CHALEUR                         | HEAT CONVEYOR                 | WÄRMEFÖRDERER            |
| FORNI TAV. 693 | 17 | RTFOC00254 | VENT.CALORE FEM109             | VENTILATEUR CHALEUR                      | HEATFAN                       | WÄRMEVENTILATOR          |
| FORNI TAV. 693 | 18 | PAFOC00283 | POSTERIORE INOX FEC200         | ARRIÈRE                                  | POSTERIOUR                    | HINTEN                   |
| FORNI TAV. 693 | 19 | GAFOC00140 | AS.COPERCHIO FGC200            | COUVERCLE EXT.                           | COVER EXT.                    | ABDECKUNG                |
| FORNI TAV. 693 | 20 | RTFOC00324 | CAMINO SUP.FGC200              | CHEMINÉE SUPÉRIEURE                      | SUPERIOR CHIMNEY              | OBERSCHORNSTEIN          |
| FORNI TAV. 693 | 21 | PAFOC00641 | PAN.EST.FEC200/1               | PANNEAU EXTÉRIEUR                        | EXTERNAL PANEL                | ÄUSSERE TAFEL            |
| FORNI TAV. 693 | 22 | AFC0000920 | CAMINO ANTIVENTO               | CHEMINÉE ANTIVENT                        | CHIMNEY                       | KAMIN WINDSCHUTZ         |
| FORNI TAV. 693 | 23 | GAFOC00254 | AS.CERN.SUP.SX P.F.FCV2        | CHARNIÈRE SUPÉRIEURE GAUCHE              | INGE PIN SUPER.LEFT           | TÜRANGEL OBEN LINKS      |
| FORNI TAV. 693 | 23 | GAFOC00255 | *AS.CERN.SUP.DX P.F.FCV2       | CHARNIÈRE SUPÉRIEURE DROITE              | INGE PIN SUPER.RIGHT          | TÜRANGEL OBEN RECHTS     |
| FORNI TAV. 693 | 24 | RTFOC00009 | GANCIO                         | CROCHET                                  | HOOK                          | HAKEN                    |
| FORNI TAV. 693 | 25 | RTFOC00005 | ZOCCOLO ESTERNO                | GODET EXTÉRIEUR                          | OUTWARD BASE                  | SOCKEL AUSSEN            |
| FORNI TAV. 693 | 25 | RTFOC00005 | ZOCCOLO ESTERNO                | GODET EXTÉRIEUR                          | OUTWARD BASE                  | SOCKEL AUSSEN            |
| FORNI TAV. 693 | 26 | GAFOC00051 | SERRATURA                      | SERRURE                                  | LOCK                          | SCHLOSS                  |
| FORNI TAV. 693 | 27 | RTFOC00057 | ZOCCOLO CENTRALE               | GODET CENTRAL                            | CENTRAL BASE                  | SOCKEL ZENTRAL           |
| FORNI TAV. 693 | 28 | RTFOC00382 | *CORNICHE FIS.VETRO P/LAMP.FCV | CADRE DU PORTELAMPE                      | MOULDING P/LAMP               | UMRAHMUNG P/LAMPE        |
| FORNI TAV. 693 | 29 | RTFOC00202 | GUARNIZIONE P/LAMPADA          | GARNITURE DU PORTELAMPE                  | GASKET P/LAMP                 | DICHTUNG P/LAMPE         |
| FORNI TAV. 693 | 30 | RTFOC00201 | *VETRO P/LAMPADA FCV.          | VERRE DU PORTELAMPE                      | GLASS P/LAMP                  | GLAS P/LAMPE             |
| FORNI TAV. 693 | 31 | RTFOC00036 | PORTA LAMPADA                  | PORTELAMPE                               | DOOR LAMP                     | PORTA LAMPE              |
| FORNI TAV. 693 | 32 | RTFOC00037 | LAMPADA                        | LAMPE                                    | LAMP                          | LAMPE                    |
| FORNI TAV. 693 | 33 | RTFOC00035 | MICRO PORTA FORNO              | MICRO-INTERRUPTEUR PORTE DU FOUR         | MICRO OVEN DOOR               | MIKRO OFENTÜR            |
| FORNI TAV. 693 | 34 | GAFOC00027 | AS.C/FORO CASS.FCV.            | COUVRE TROU                              | PLUG                          | LOCHABDECKUNGSPFROPFEN   |
| FORNI TAV. 693 | 35 | RTFOC00197 | MOTORID.SCA.FEM69 CRU82524421  | DÉMARREUR                                | MOTOR                         | MOTOR                    |
| FORNI TAV. 693 | 36 | RTFOC00192 | ALBERO SCA.COND.FEM69          | ARBRE                                    | SHAFT                         | WELLE                    |
| FORNI TAV. 693 | 37 | RTFOC00198 | MICROINT.SC.COND.FEM69 NR1 K5  | MICRO-INTERRUPTEUR                       | MICROSWITCH                   | MIKROSCHALTER            |
| FORNI TAV. 693 | 38 | RTFOC00553 | ASTA TRAS.SCA.COND.FEM109/1NIC | BARRE TRANSVERSAL                        | ROD TRANSVERS.                | STAB                     |
| FORNI TAV. 693 | 39 | PAFOC00680 | DISCO INF.SCARICO COND.FEMD100 | DISQUE INFÉRIEUR DÉCHARGÉ                | DISC INFER. OUTLET            | SCHEIBE UNTEN AUSGANG    |



**JOKER**

FGMD 209

TAV. 694

|                |    |            |                                |                              |                        |                    |
|----------------|----|------------|--------------------------------|------------------------------|------------------------|--------------------|
| FORNI TAV. 694 | 1  | RTFOC00549 | MASCHER.CRUS.FEM109/1          | MASQUE FRONTAL               | COVER FRONT.           | ABDECKUNGFRONT.    |
| FORNI TAV. 694 | 2  | RTFOC00546 | SCHEDA EL.COMANDI FEM69/1      | CARTE DE COMMANDE            | ELECTRIC SCHEME        | SCHALTPLAN         |
| FORNI TAV. 694 | 3  | RTFOC00483 | T.L.FCV/1T350 5510562800       | THERMOSTAT LIMITEUR          | THERMOSTAT LIMIT. OVEN | LIMIT THERMOSTAT   |
| FORNI TAV. 694 | 4  | RTFOC00305 | CENTRALINA ACC.FGM109 20653005 | DISTRIBUTEUR ALLUMAGE        | ELECTRIC BOARD         | SCHALKASTEN        |
| FORNI TAV. 694 | 5  | RTFOC00321 | T/COPPIA 52 FCV.MBM00001       | THERMOCOUPLE                 | THERMOELEMENT          | THERMOELEMENT      |
| FORNI TAV. 694 | 6  | RTFOC00464 | SONDA C/CM.42 FCVM MBM00007    | SONDE                        | PROBE                  | SONDE              |
| FORNI TAV. 694 | 7  | RTFOC00547 | SCHEDA EL.CONTROLLO FEM69/1    | CARTE DE CONTRÔLE            | CONTROL SCHEME         | SCHALTPLAN         |
| FORNI TAV. 694 | 8  | RTFOC00254 | VENT.CALORE FEM109             | VENTILATEUR CHALEUR          | HEATFAN                | WÄRMEVENTILATOR    |
| FORNI TAV. 694 | 9  | GAFOC00119 | AS.CONV.CALORE FEM69           | CONVOYER CHALEUR             | HEAT CONVEYOR          | WÄRMEFÖRDERER      |
| FORNI TAV. 694 | 10 | RTFOC00144 | RELAIS FCVM.BOYLER 60638230000 | RELAIS VAPEUR                | RELAY VAPOUR           | RELAIS DAMPF       |
| FORNI TAV. 694 | 11 | RTFOC00048 | P/FUSIBILE+PIAS.FCV.VL04+VS0PT | PORTE-FUSIBLES               | FUSE HOLDER            | SICHERUNGSHALTER   |
| FORNI TAV. 694 | 12 | RTFOC00053 | CONDENSATORE FCV 16152220MF450 | CONDENSATEUR                 | CONDENS. MOTOR         | CONDENS. MOTOR     |
| FORNI TAV. 694 | 13 | RTFOC00465 | RELAIS FCV.3TF3000-0AL2        | RELAIS                       | RELAY                  | RELAIS             |
| FORNI TAV. 694 | 14 | RTFOC00309 | A/DISTURBO FGC060 411105082    | ANTI-PERTURBATION            | ANTIJAMMING FILTER     | FILTER A/STÖRUNG   |
| FORNI TAV. 694 | 15 | RTFOC00023 | A/DISTURBO FCV.F43LN3100ZF00K  | ANTI-PERTURBATION            | ANTIJAMMING FILTER     | FILTER A/STÖRUNG   |
| FORNI TAV. 694 | 16 | RTFOC00575 | FUSIBILE FCV.5X20/3,15A        | FUSIBLE 3,15 A               | FUSIBLE 3,15 A         | SICHERUNG 3,15 A   |
| FORNI TAV. 694 | 17 | RTFOC00284 | FUSIBILE 6,3 A                 | FUSIBLE 6,3 A                | FUSIBLE 6,3 A          | SICHERUNG 6,3 A    |
| FORNI TAV. 694 | 18 | RTBF900045 | MORSETTIERA C4EF+SIMB/1-6      | GROUPE DE CONNECTION 6 POLES | TERMINAL BLOCK 6 POLES | KLEMMBRETT 6 POLIG |
| FORNI TAV. 694 | 20 | RTFOC00468 | CONTATTI A.FCV.3TX4010-2A      | AUXILIARIE CONTACT           | AUXILIARY CONTACT      | HILFSANSCHLÜSSE    |
| FORNI TAV. 694 | 21 | RTFOC00469 | CONTATTI A.FCV.3TX4001-2A      | AUXILIARIE CONTACT           | AUXILIARY CONTACT      | HILFSANSCHLÜSSE    |