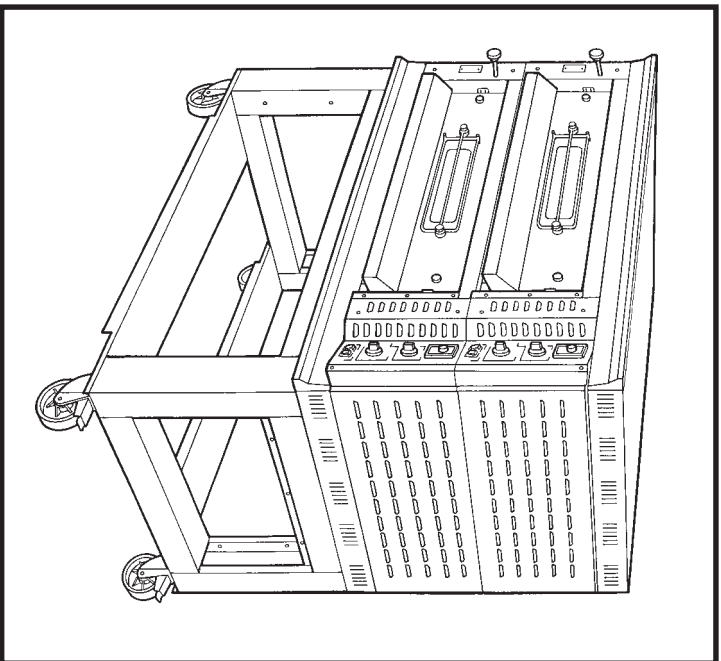
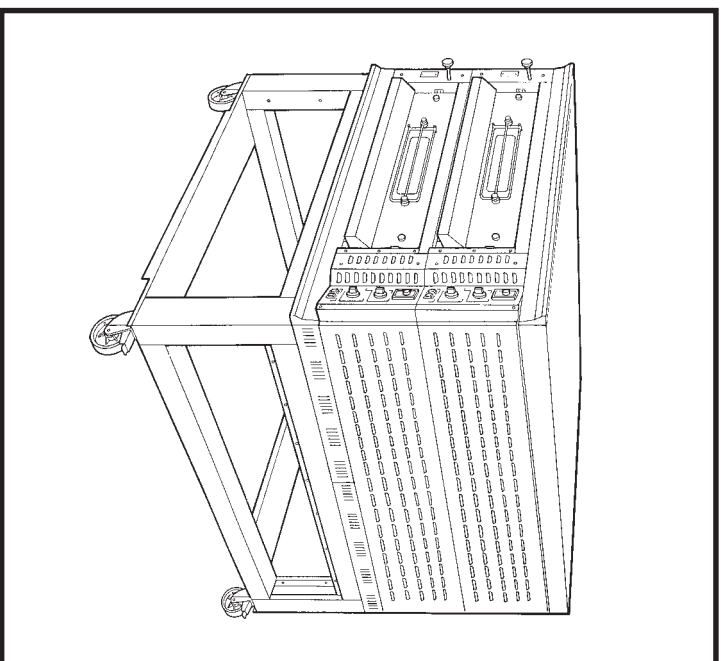


oem

FORNI SERIE 2000
OVENS SERIES 2000
FOURS SERIE 2000
ÖFEN SERIE 2000
HORNOS SERIE 2000



MOD 66 - 77 - 96



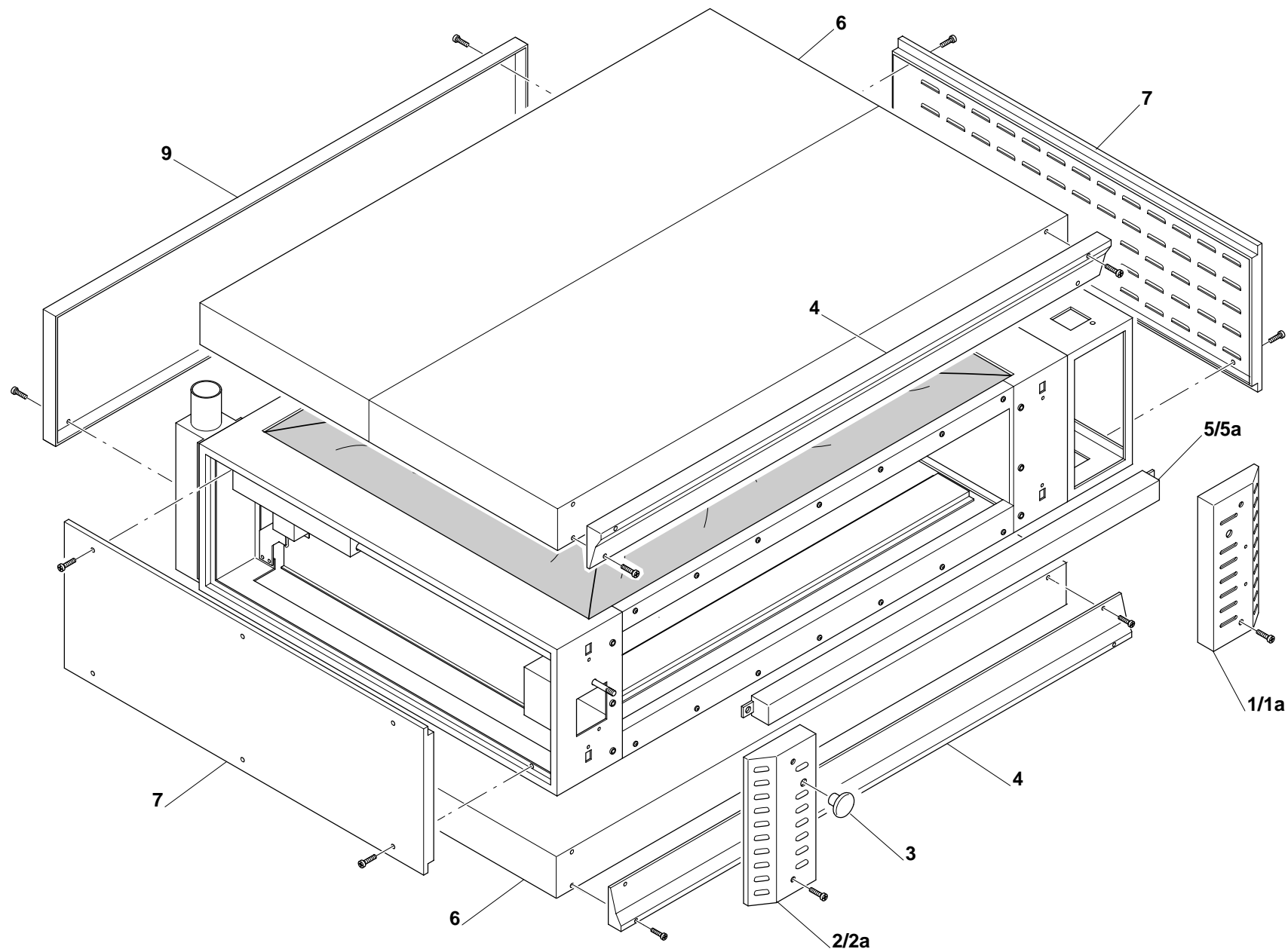
MOD 69 - 99 - 109 - 111

**CATALOGO RICAMBI
SPARE PARTS LIST
CATALOGUE PIECES DETACHEES
ERSATZTEILLISTE
CATALOGO RECAMBIO**

**PANNELLI - PANELS - TABLEAU
TAFEL - PANEL**

Tav. 01

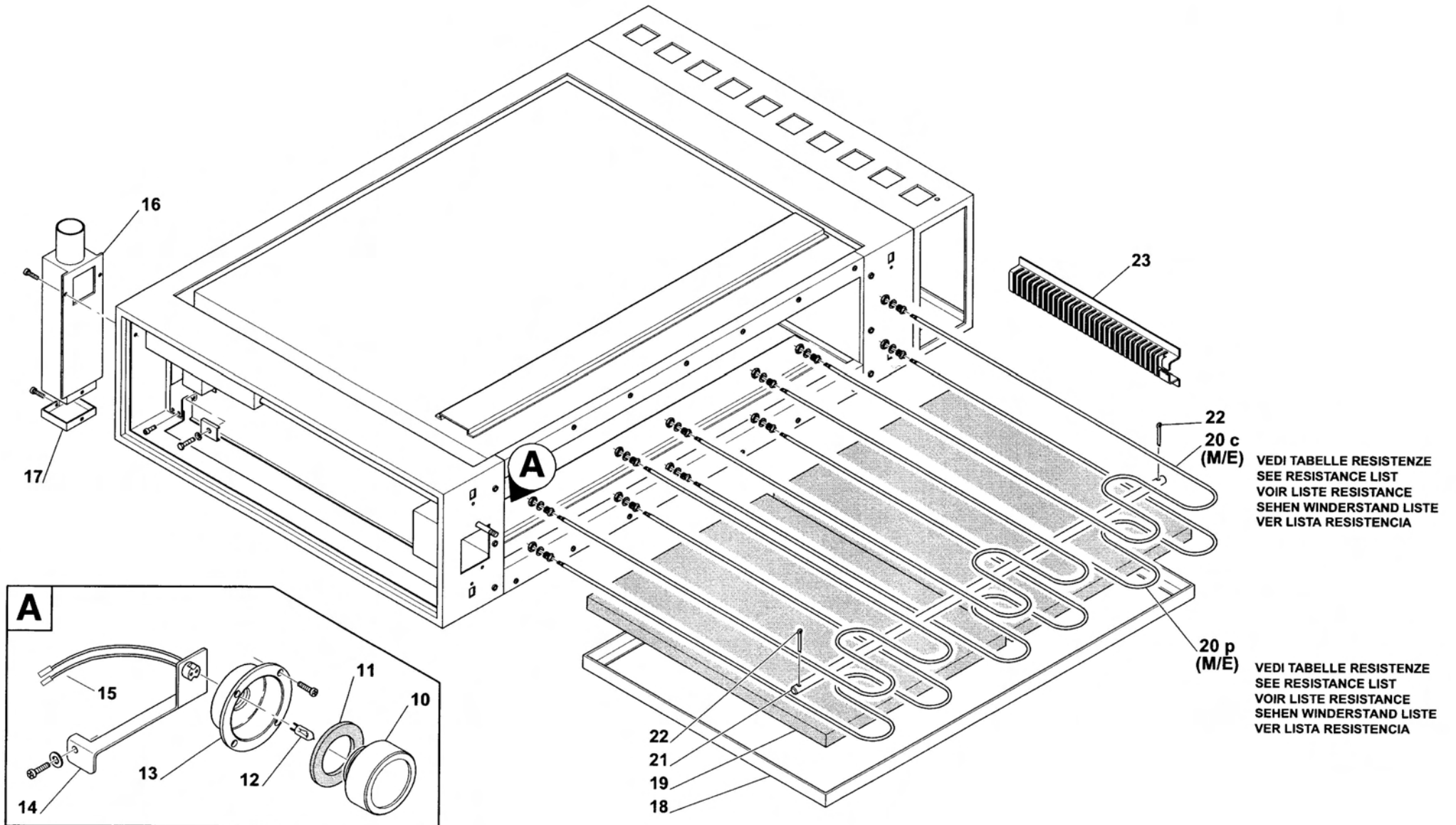
POS.	CODICE	DESCRIZIONE	DESCRIPTION	DESCRIPTION	BESCHREIBUNG	DESCRIPCION
1	WPST210	PANN.FRONT.DX F.S.2000 STAND.	PANEL	TABLEAU	TAFEL	PANEL
1a	WPVT020	PANN.FRONT.DX.F.S.2000 RUSTICO	PANEL	TABLEAU	TAFEL	PANEL
2	WPST310	PANN.FRONT.SX F.S.2000 STAND.	PANEL	TABLEAU	TAFEL	PANEL
2a	WPVT120	PANN.FRONT.SX F.S.2000 RUSTICO	PANEL	TABLEAU	TAFEL	PANEL
3	AC06500	POMELLO CAMINO	KNOB	POMMEAU	KUGELGRIFF	POMO
4	WSL2020	TRAV.SUP/INF. 66/69	FLASK	BRIDE	HALTER	SOPORTE
	WSL2520	TRAV.SUP/INF. 77	FLASK	BRIDE	HALTER	SOPORTE
	WSL3020	TRAV.SUP/INF. 96/99/109	FLASK	BRIDE	HALTER	SOPORTE
	WSL3520	TRAV.SUP/INF. 111	FLASK	BRIDE	HALTER	SOPORTE
5	WSS0610	CAPPA STANDARD 66/69	HOOD	HOTTE	KAPPE	CAMPANA
	WSS0410	CAPPA STANDARD 77	HOOD	HOTTE	KAPPE	CAMPANA
	WPSC010	CAPPA STANDARD 96/99/109	HOOD	HOTTE	KAPPE	CAMPANA
	WSL0600	CAPPA STANDARD 111	HOOD	HOTTE	KAPPE	CAMPANA
5a	WRS0620	CAPPA RUSTICA 66/69	HOOD	HOTTE	KAPPE	CAMPANA
	WRS0420	CAPPA RUSTICA 77	HOOD	HOTTE	KAPPE	CAMPANA
	WPVC020	CAPPA RUSTICA 96/99/109	HOOD	HOTTE	KAPPE	CAMPANA
	WRL0620	CAPPA RUSTICA 111	HOOD	HOTTE	KAPPE	CAMPANA
6	WPC6820	COP.SUP/INF. 66	COVER	COUVERCLE	DEKEL	TAPA
	WPC7020	COP.SUP/INF. 69	COVER	COUVERCLE	DEKEL	TAPA
	WPC3820	COP.SUP/INF. 77	COVER	COUVERCLE	DEKEL	TAPA
	WPC4820	COP.SUP/INF. 96	COVER	COUVERCLE	DEKEL	TAPA
	WPC5720	COP.SUP/INF. 99	COVER	COUVERCLE	DEKEL	TAPA
	WPC7220	COP.SUP/INF. 109	COVER	COUVERCLE	DEKEL	TAPA
	WPC7420	COP.SUP/INF. 111	COVER	COUVERCLE	DEKEL	TAPA
7	WP33411	FIANCO DX-SX 69/99	PANEL	TABLEAU	TAFEL	PANEL
	WP22311	FIANCO DX-SX 66/77/96	PANEL	TABLEAU	TAFEL	PANEL
	WP44111	FIANCO DX-SX 109/111	PANEL	TABLEAU	TAFEL	PANEL
9	WP03311	SCHIENALE 66/69	REAR PANNEL	TABLEAU DERRIÈRE	TAFELHINTER	PANEL TRASERO
	WP13311	SCHIENALE 77	REAR PANNEL	TABLEAU DERRIÈRE	TAFELHINTER	PANEL TRASERO
	WP33311	SCHIENALE 96/99/109	REAR PANNEL	TABLEAU DERRIÈRE	TAFELHINTER	PANEL TRASERO
	WP34400	SCHIENALE 111	REAR PANNEL	TABLEAU DERRIÈRE	TAFELHINTER	PANEL TRASERO



**FORNO - OVEN - FOUR
OFEN - HORNO**

Tav. 02

POS.	CODICE	DESCRIZIONE	DESCRIPTION	DESCRIPTION	BESCHREIBUNG	DESCRIPCION
10	AL20100	VETRO LAMPADA	LAMP GLASS	GLACE LAMPE	LAMPE GLAS	VIDRO LAMPARA
11	AL26600	GUARNIZIONE VETRO	GLASS GASKET	GARNITURE GLACE	GLAS DICHTUNG	JUNTA VIDRO
12	EL06200	MICROLAMP.ALOG.12V 35W	LAMP	LAMPE	LAMPE	LAMPARA
13	QAT2200	PARABOLA LUCE	LIGHT REFLECTOR	REFLECTEUR	LAMP PARABEL	PARABOLA LAMPARA
14	HAT6410	FISSAGGIO LAMPADA	LAMP FASTEN	FIXATION LAMPE	LAMPE BINDUNG	FIJADOR LAMPARA
15	EL05600	PORTALAMPADA	LAMP SUPPORT	SUPPORT LAMPE	LAMP LAGER	SOPORTE LAMPARA
16	WCE4000	CAMINO ESTERNO	CHIMNEY	CHEMINÉE	KAMIN	CHIMENEA
17	WCE3710	TAPPO INF.CAMINO	LOWER PLUG	BOUCHON INF.	UNTERE STOPFEN	TAPON INFERIOR
18	KG24010	ANT.PIANO REFR.F69	FRAME	CHÂISSIS	RHAMEN	BASTIDOR
	KG24110	ANT.PIANOREFR.F96/99	FRAME	CHÂISSIS	RHAMEN	BASTIDOR
	KG24210	ANT.PIANO REFR.F77	FRAME	CHÂISSIS	RHAMEN	BASTIDOR
	HGV4020	TELAIO GRATA 109	FRAME	CHÂISSIS	RHAMEN	BASTIDOR
	HGV4520	TELAIO GRATA 111	FRAME	CHÂISSIS	RHAMEN	BASTIDOR
	DSC1400	ANT.PIANO REFRATT. F 66	FRAME	CHAISIS	RHAMEN	BASTIDOR
19	AL15100	PIETRA REFR.622X606X25 -66	REFRACTORY STONE	PIERRE RÉFRACTAIRE	FEUERFESTER STEIN	PIEDRA REFRACTARIA
	AL18200	PIETRA REFR.913X606X19 -69/96	REFRACTORY STONE	PIERRE RÉFRACTAIRE	FEUERFESTER STEIN	PIEDRA REFRACTARIA
	AL20400	PIETRA REFR.697X355X19 -77	REFRACTORY STONE	PIERRE RÉFRACTAIRE	FEUERFESTER STEIN	PIEDRA REFRACTARIA
	AL17900	PIETRA REFR.913X455X19 -99	REFRACTORY STONE	PIERRE RÉFRACTAIRE	FEUERFESTER STEIN	PIEDRA REFRACTARIA
	AL18000	PIETRA REFR.1213X455X19 -109	REFRACTORY STONE	PIERRE RÉFRACTAIRE	FEUERFESTER STEIN	PIEDRA REFRACTARIA
	AL18100	PIETRA REFR.1142X557,5X19 111	REFRACTORY STONE	PIERRE RÉFRACTAIRE	FEUERFESTER STEIN	PIEDRA REFRACTARIA
21	WKS0510	ASTA SOST.RESIST. 77 (1)	SUPPORT	SUPPORT	LAGER	SOPORTE
	WKLO310	ANG. SOST.RES. 96 (1) -99 (2)-109(2)	SUPPORT	SUPPORT	LAGER	SOPORTE
	WKLO410	ANG. SOST.RESIST. 111	SUPPORT	SUPPORT	LAGER	SOPORTE
	WKS0410	ASTA SOST.RESIST. 69(2) -66(1)	SUPPORT	SUPPORT	LAGER	SOPORTE
	MD03600	COPIGLIA	PIN	EPINE	STIFT	ENCHOFE
	HAT9910	PROTEZ.BULBO INT.CAMERA	PROTECTION	PROTECTION	SCHUTZ	PROTECCION

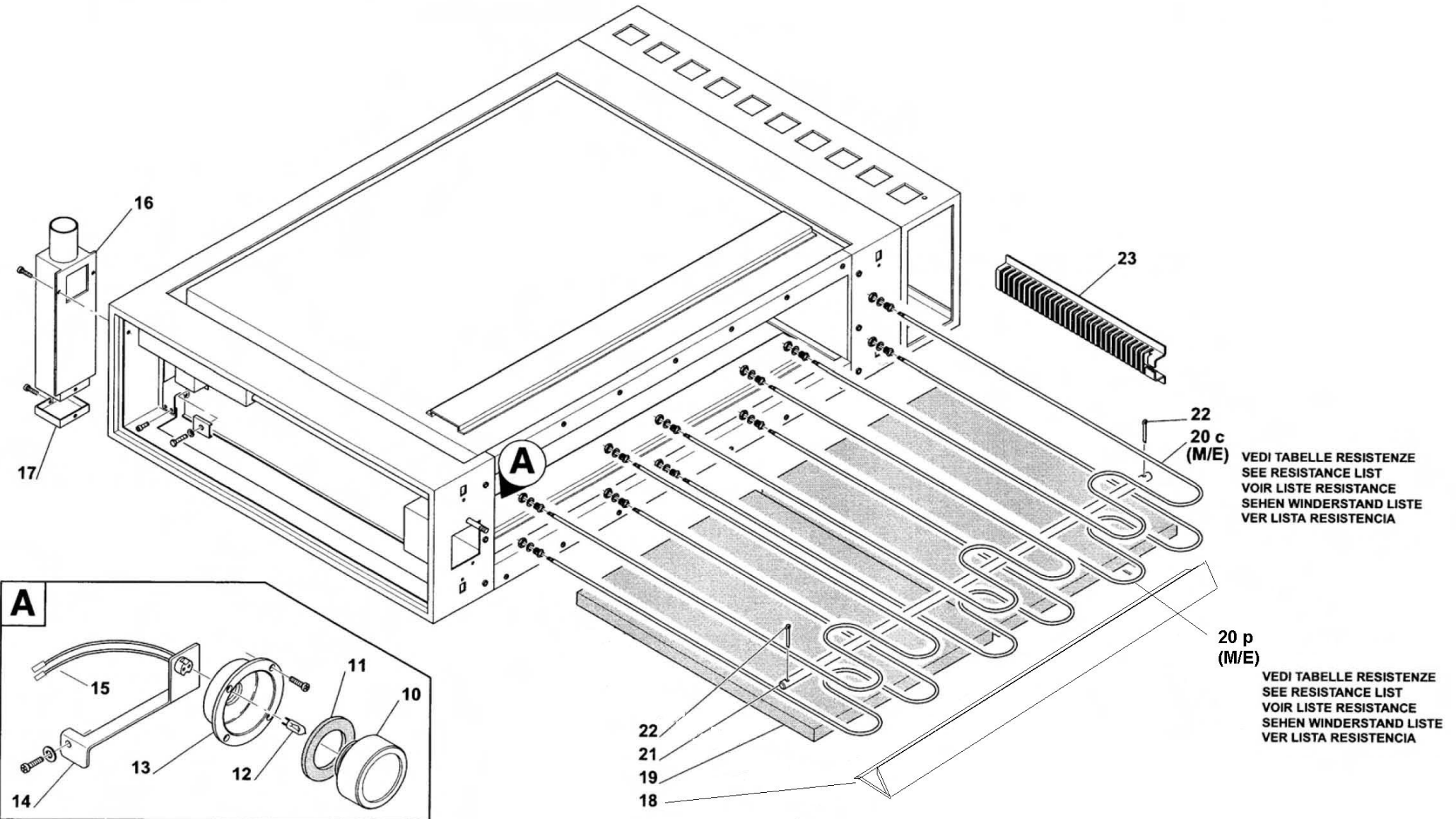


**TABELLA RESISTENZE - HEATER LIST - LISTE RESISTANCE
HEIZKÖRPER LISTE - LISTA RESISTENCIA**

Tav. 02

MOD.	CODICE CODE CODE CODE CODIGO	RESISTENZA HEATER RESISTANCE HEIZKÖRPER RESISTENCIA
S - R 66	EE 102 / cielo	W. 720 VOLT. 400
	EE 102 / platea	W. 720 VOLT. 400
	EE 245 / cielo	W. 850 VOLT. 230
	EE 245 / platea	W. 850 VOLT. 230
S - R 69	EE 149 / cielo	W. 1300 VOLT. 400
	EE 110 / platea	W. 1100 VOLT. 400
	EE 246 / cielo	W. 1300 VOLT. 230
	EE 246 / platea	W. 1300 VOLT. 230
S - R 77	EE 227 / cielo	W. 1100 VOLT. 400
	EE 186 / platea	W. 850 VOLT. 400
	EE 250 / cielo	W. 1100 VOLT. 230
	EE 250 / platea	W. 1100 VOLT. 230
S - R 96	EE 128 / cielo	W. 1300 VOLT. 400
	EE 106 / platea	W. 1100 VOLT. 400
	EE 247 / cielo	W. 1300 VOLT. 230
	EE 247 / platea	W. 1300 VOLT. 230
S - R 99	EE 150 / cielo	W. 1900 VOLT. 400
	EE 114 / platea	W. 1600 VOLT. 400
	EE 248 / cielo	W. 2000 VOLT. 230
	EE 248 / platea	W. 2000 VOLT. 230
S - R 109	EE 151 / cielo	W. 2100 VOLT. 400
	EE 118 / platea	W. 1900 VOLT. 400
	EE 249 / cielo	W. 2300 VOLT. 230
	EE 249 / platea	W. 2300 VOLT. 230
S - R 111	EE 174 / cielo	W. 1150 VOLT. 400
	EE 192 / platea	W. 900 VOLT. 400
	EE 251 / cielo	W. 1150 VOLT. 230
	EE 251 / platea	W. 1150 VOLT. 230

MOD.	CODICE CODE CODE CODE CODIGO	RESISTENZA HEATER RESISTANCE HEIZKÖRPER RESISTENCIA
S - R 66 / E	EE 245 / cielo	W. 850 VOLT. 230
	EE 245 / platea	W. 850 VOLT. 230
S - R 69 / E	EE 246 / cielo	W. 1300 VOLT. 230
	EE 246 / platea	W. 1300 VOLT. 230
S - R 77 / E	EE 250 / cielo	W. 1100 VOLT. 230
	EE 250 / platea	W. 1100 VOLT. 230
S - R 96 / E	EE 247 / cielo	W. 1300 VOLT. 230
	EE 247 / platea	W. 1300 VOLT. 230
S - R 99 / E	EE 248 / cielo	W. 2000 VOLT. 230
	EE 248 / platea	W. 2000 VOLT. 230
S - R 109 / E	EE 249 / cielo	W. 2300 VOLT. 230
	EE 249 / platea	W. 2300 VOLT. 230
S - R 111 / E	EE 251 / cielo	W. 1150 VOLT. 230
	EE 251 / platea	W. 1150 VOLT. 230

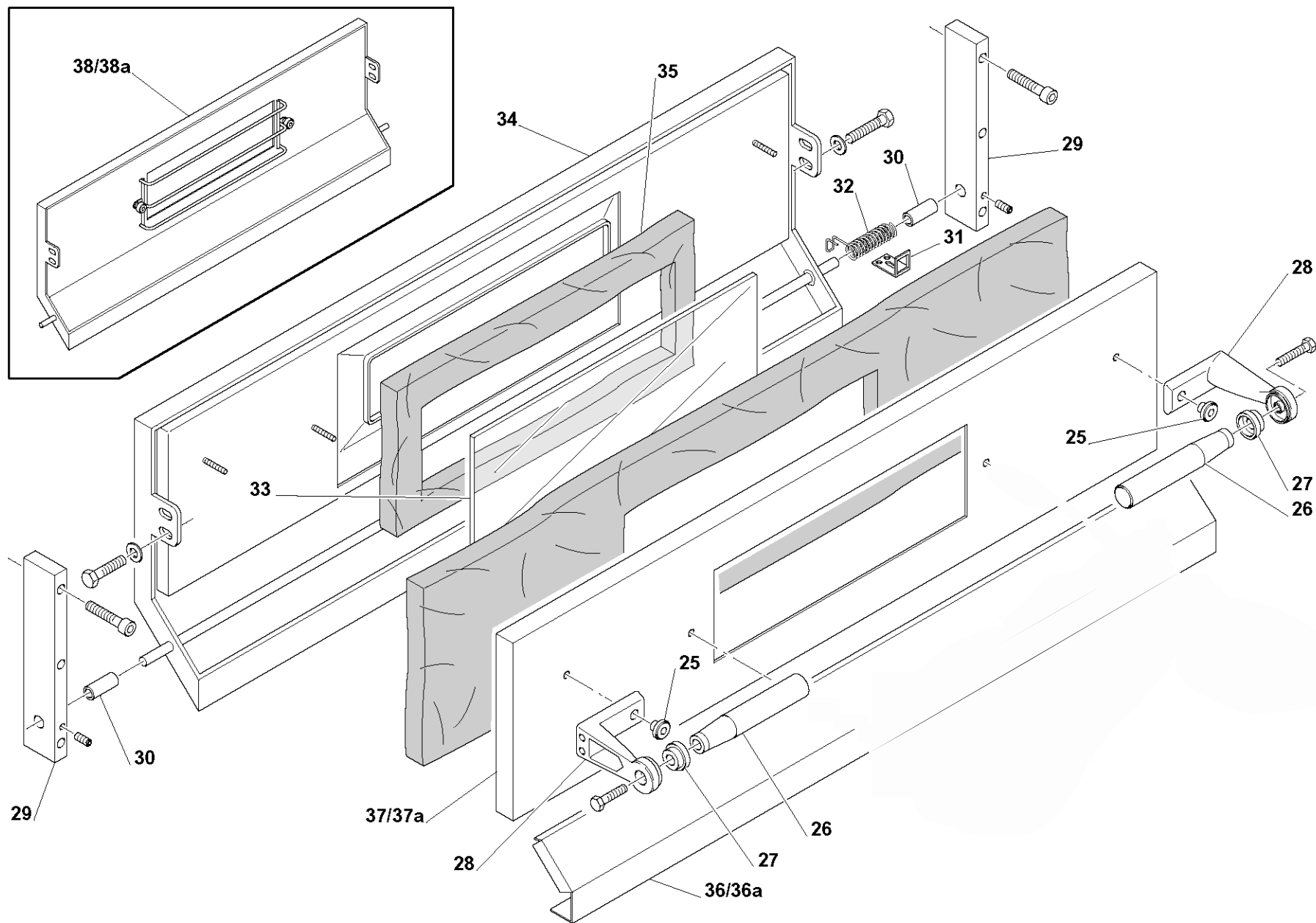


**PORTA FRONTALE - FORWARD DOOR - PORTE AVANT
VORWÄRTSTÜR - PUERTA ADELANTE**

Tav. 03

POS.	CODICE	DESCRIZIONE	DESCRIPTION	DESCRIPTION	BESCHREIBUNG	DESCRIPCION
25	QST0320	VOLANTINO PORTA	HANDWHEEL	PETIT VOLANT	HANDRAD	VOLANTE PEQUENO
26	AC06600	MANOPOLA PORTA	HAND GRIP	POIGNEE	GRIFF	MANIJA
27	AC07100	RONDELLA MANOPOLA	WASHER	RONDELLE	SCHEIBE	ARANDELA
28	HDTV300	PIATTO P/MANIGLIA	PLATE	PLATEAU	TELLER	PLACA
29	WKTB320	SOSTEGNI PORTA	SUPPORT	SUPPORT	LAGER	SOPORTE
30	HKT0100	BOCCOLA PERNO PORTA	BUSHING	DOUILLE	BÜECHSE	CASQUILLO
31	HAT0410	ANGOLARE REG.MOLLA	ANGLE PROFILE	ANGULAIRE	WINKELPROFIL	ANGULAR
32	MD04900	MOLLA PORTA	SPRING	RESSORT	FEDER	RESORTE
33	AL27600	VETRO PORTA	DOOR GLASS	GLACE PORTE	TÜR GLASS	VIDRO PUERTA
34	HDSA000	TELAIO PORTA 66/69	DOOR FRAME	CHASSIS PORTE	TÜR RAHMEN	BASTDOR PUERTA
	WDS0020	TELAIO PORTA 77	DOOR FRAME	CHASSIS PORTE	TÜR RAHMEN	BASTDOR PUERTA
	HDLA000	TELAIO PORTA 96/99/109	DOOR FRAME	CHASSIS PORTE	TÜR RAHMEN	BASTDOR PUERTA
	WDL0020	TELAIO PORTA 111	DOOR FRAME	CHASSIS PORTE	TÜR RAHMEN	BASTDOR PUERTA
35	AL27810	GUARNIZIONE VETRO PORTA	GASKET	GARNITURE	DICHTUNG	JUNTA
36	HSS0110	COPRIORTA INF. STAND. 66/69	LOWER COVER	COUVERCLE INF.	UNTEREDEKEL	TAPA INFERIOR
	WSS0110	COPRIORTA INF. STAND. 77	LOWER COVER	COUVERCLE INF.	UNTEREDEKEL	TAPA INFERIOR
	HSL0110	COPRIORTA INF. STAND. 96/99/109	LOWER COVER	COUVERCLE INF.	UNTEREDEKEL	TAPA INFERIOR
	WSL0100	COPRIORTA INF. STAND. 111	LOWER COVER	COUVERCLE INF.	UNTEREDEKEL	TAPA INFERIOR
36a	HRSV120	COPRIORTA INF. RUST. 66/69	LOWER COVER	COUVERCLE INF.	UNTEREDEKEL	TAPA INFERIOR
	WRS0120	COPRIORTA INF. RUST. 77	LOWER COVER	COUVERCLE INF.	UNTEREDEKEL	TAPA INFERIOR
	HRLV120	COPRIORTA INF. RUST. 96/99/109	LOWER COVER	COUVERCLE INF.	UNTEREDEKEL	TAPA INFERIOR
	WRL0120	COPRIORTA INF. RUST. 111	LOWER COVER	COUVERCLE INF.	UNTEREDEKEL	TAPA INFERIOR
37	HSSP210	COPRIORTA SUP. STAND. 66/69	UPPER COVER	COUVERCLE SUP.	OBERDEKEL	TAPA SUPERIOR
	WSSP210	COPRIORTA SUP. STAND. 77	UPPER COVER	COUVERCLE SUP.	OBERDEKEL	TAPA SUPERIOR
	HSLP210	COPRIORTA SUP. STAND. 96/99/109	UPPER COVER	COUVERCLE SUP.	OBERDEKEL	TAPA SUPERIOR
	WSL0212	COPRIORTA SUP. STAND. 111	UPPER COVER	COUVERCLE SUP.	OBERDEKEL	TAPA SUPERIOR
37a	HRSV220	COPRIORTA SUP. RUST. 66/69	UPPER COVER	COUVERCLE SUP.	OBERDEKEL	TAPA SUPERIOR
	WRS0221	COPRIORTA SUP. RUST. 77	UPPER COVER	COUVERCLE SUP.	OBERDEKEL	TAPA SUPERIOR
	HRLV220	COPRIORTA SUP. RUST. 96/99/109	UPPER COVER	COUVERCLE SUP.	OBERDEKEL	TAPA SUPERIOR
	WRL0221	COPRIORTA SUP. RUST. 111	UPPER COVER	COUVERCLE SUP.	OBERDEKEL	TAPA SUPERIOR
38	HSD6910	COMPL.PORTA STAND. 66/69	DOOR ASSEMBLY	PORTE COMP.	TÜR KOMPL.	PUERTA COMPL.
	WDS3110	COMPL.PORTA STAND. 77	DOOR ASSEMBLY	PORTE COMP.	TÜR KOMPL.	PUERTA COMPL.
	HSD9910	COMPL.PORTA STAND. 96/99/109	DOOR ASSEMBLY	PORTE COMP.	TÜR KOMPL.	PUERTA COMPL.
	WDLS010	COMPL.PORTA STAND. 111	DOOR ASSEMBLY	PORTE COMP.	TÜR KOMPL.	PUERTA COMPL.
38a	HRD6910	COMPL.PORTA RUSTICA 66/69	DOOR ASSEMBLY	PORTE COMP.	TÜR KOMPL.	PUERTA COMPL.
	WDR3110	COMPL.PORTA RUSTICA 77	DOOR ASSEMBLY	PORTE COMP.	TÜR KOMPL.	PUERTA COMPL.
	HRD9910	COMPL.PORTA RUST. 96/99/109	DOOR ASSEMBLY	PORTE COMP.	TÜR KOMPL.	PUERTA COMPL.
	WDLR010	COMPL.PORTA RUSTICA 111	DOOR ASSEMBLY	PORTE COMP.	TÜR KOMPL.	PUERTA COMPL.

PORTA FRONTALE - FORWARD DOOR - PORTE AVANT
VORWÄRTSTÜR - PUERTA ADELANTE

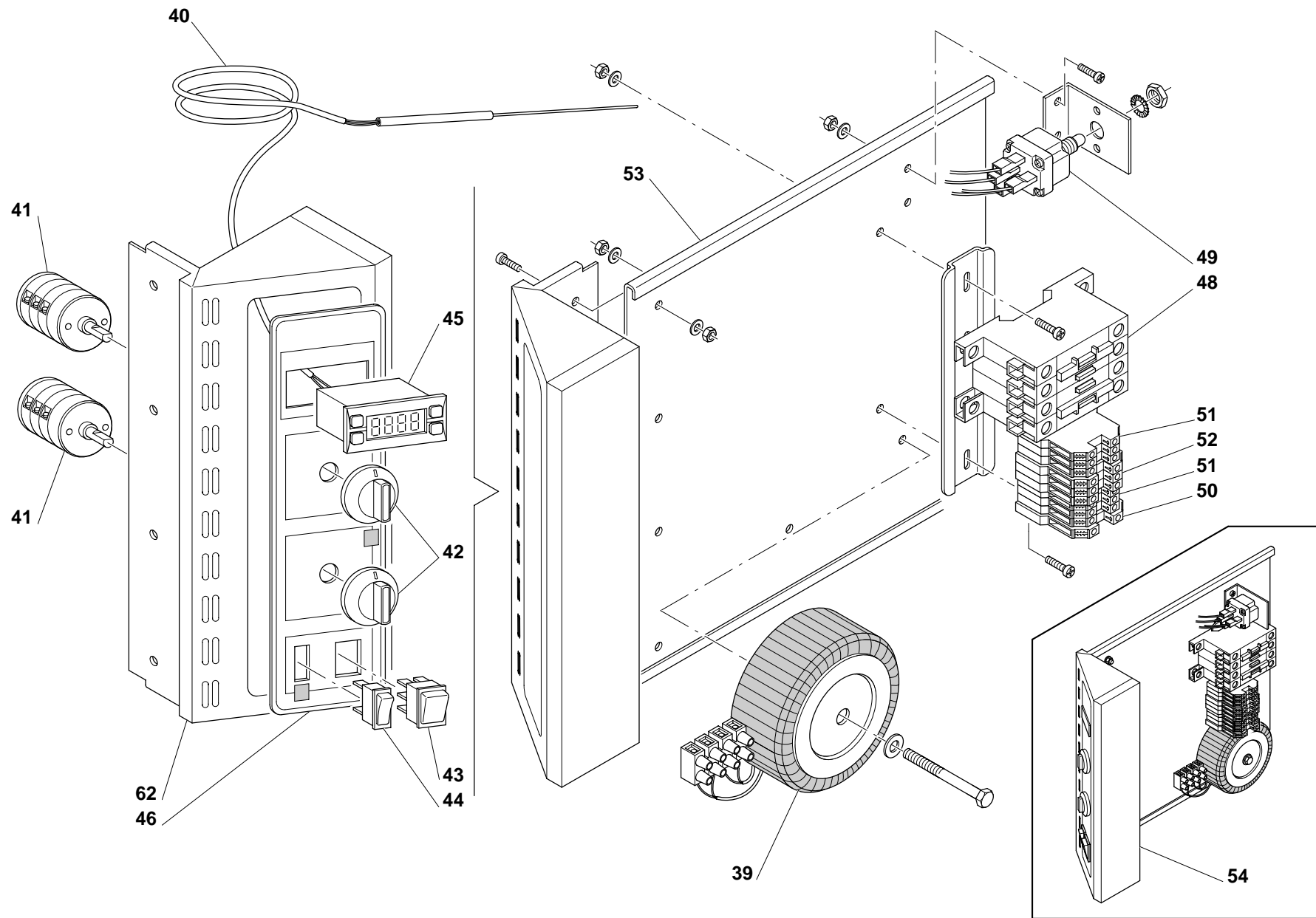


**QUADRO ANALOGICO - ANALOGUE PANEL - TABLEAU ANALOGIQUE
ANALOGSCHALTAFEL - CUADRO ANALOGICO**

Tav. 04

POS.	CODICE	DESCRIZIONE	DESCRIPTION	DESCRIPTION	BESCHREIBUNG	DESCRIPCION
39	EH04500	TRASFORMATORE T.50W 230/12	TRANSFORMER	TRANSFORMATEUR	WANDLER	TRANSFORMADOR
40	ED06500	TERMOCOPPIA D.2X250	SENSOR	CAPTEUR	SENSOR	SENSOR
41	EH00900	COMMUTATORE TRIP. 16 A	SWITCH	INTERRUPTEUR	SCHALTER	INERRUPTOR
42	AC06200	MANOPOLA COMMUTATORE	COMMUT. HAND GRIP	POIGNEE COMMUT.	UMSCHALTER GRIFF	MANIJA CONMUTADOR
43	EF00400	INTERRUTTORE BIPOL.LUMIN.	SWITCH	INTERRUPTEUR	SCHALTER	INERRUPTOR
44	EF02300	DEVIAT.UNIP.NERO 16 A	BY-PASS VALVE	DEVIATEUR	KOMMUTATOR	DEVIATOR
45	ED07700	TERM.IC 912 TCJ 230V	THERMOSTAT	THERMOSTAT	REGELTHERMOSTAT	TERMOSTATO
46	AM44300	TARGA COMANDI MECCANICI	PLATE	PLAQUE	PLATTE	TARJA
48	EN08200	TELERUTTORE BF.9	RALAY	RELAIS	RELAJ	RELE
49	ED02300	TERMOSTATO DI SICURA	SAFETY THERMOSTAT	THERMOS. DE SECURITE	SICHERHEITSTHERMOS.	TERMOST. DE SEGURIDAD
50	EP03800	MORSETTO TERRA 6 MM2	CLAMP	BORNE	KLEMME	EMBOLO
51	EP00200	MORSETTO 4 MM2	CLAMP	BORNE	KLEMME	EMBOLO
52	EP00800	MORSETTO 6 MM2	CLAMP	BORNE	KLEMME	EMBOLO
53	WPS3310	PANN.SCORRIMENTO	PANEL	TABLEAU	TAFEL	PANEL
54	HS10510	COMPL.PANN.ESTR.F.S.2000	ASSEMBLY PANEL	COMPL. TABLEAU	KOMPL. TAFEL	GRUPO PANEL
62	WFE2520	C.FRONT.COM.S.2000 MECCAN.	CONT. PANEL ASSEMBLY	TABLEAU DE COMM.COM.	SCHALT TAFERL KOMPL.	CUADRO DE MANDOS

**QUADRO ANALOGICO - ANALOGUE PANEL - TABLEAU ANALOGIQUE
ANALOGSCHALTAFEL - CUADRO ANALOGICO**

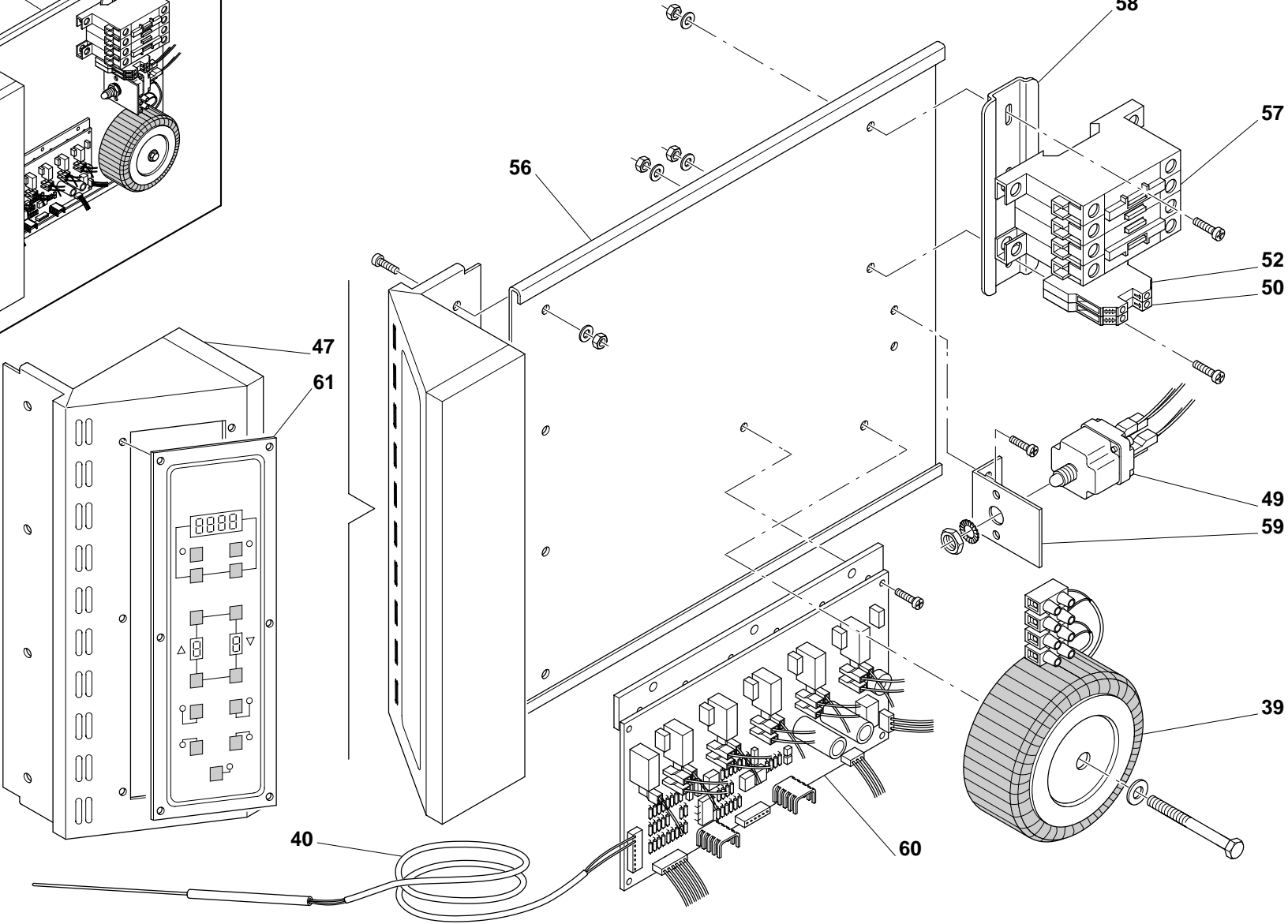
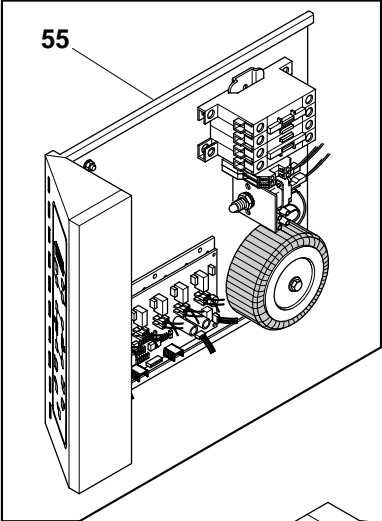


**QUADRO DIGITALE - DIGITAL PANEL - TABLEAU ANALOGIQUE
DIGITALSCHALTAFEL - CUADRO DIGITAL**

Tav. 05

POS.	CODICE	DESCRIZIONE	DESCRIPTION	DESCRIPTION	BESCHREIBUNG	DESCRIPCION
39	EH04500	TRASFORMATORE T.50W 230/12	TRANSFORMER	TRANSFORMATEUR	WANDLER	TRANSFORMADOR
40	ED06500	TERMOCOPPIA D.2X250	SENSOR	CAPTEUR	SENSOR	SENSOR
47	WFB4320	C. FRONT .COM. S.2000	CONT. PANEL ASSEMBLY	TABLEAU DE COMM.COM.	SCHALT TAFERL KOMPL.	CUADRO DE MANDOS
49	ED02300	TERMOSTATO DI SICUR.	SAFETY THERMOSTAT	THERMOS. DE SECURITE	SICHERHEITSTHERMOS.	TERMOST. DE SEGURIDAD
50	EP07100	MORSETTO TERRA 10 MM2	CLAMP	BORNE	KLEMME	EMBOLO
52	EP00900	MORSETTO 10 MM2	CLAMP	BORNE	KLEMME	EMBOLO
55	HS10210	COMPL.PANN.ESTR.	PANEL	TABLEAU	TAFEL	PANEL
56	WPS4000	DISSIP. SCHEDE POTENZA	SUPPORT	SUPPORT	LAGER	SOPORTE
57	EN08300	CONTATTORE	REM. CONTR. SWITCH	TELERUPTEUR	FERNSCHALTER	TELERRUPTOR
58	HAT6010	BARRA OMEGA	BAR	BARRE	STAB	BARRA
59	HAT2310	STAFFA TERMOSTATO	FLASK	BRIDE	HALTER	SOPORTE
60	HE15800	SCHEDE DI POTENZA	CIRCUIT	CIRCUIT	STRECKE	CIRCUITO
61	HE17000	PANNELLO COMANDI	CONTROL PANNEL	PANNEAU DE COMMAND.	SCHALT TAFEL	CUADRO DE MANDOS

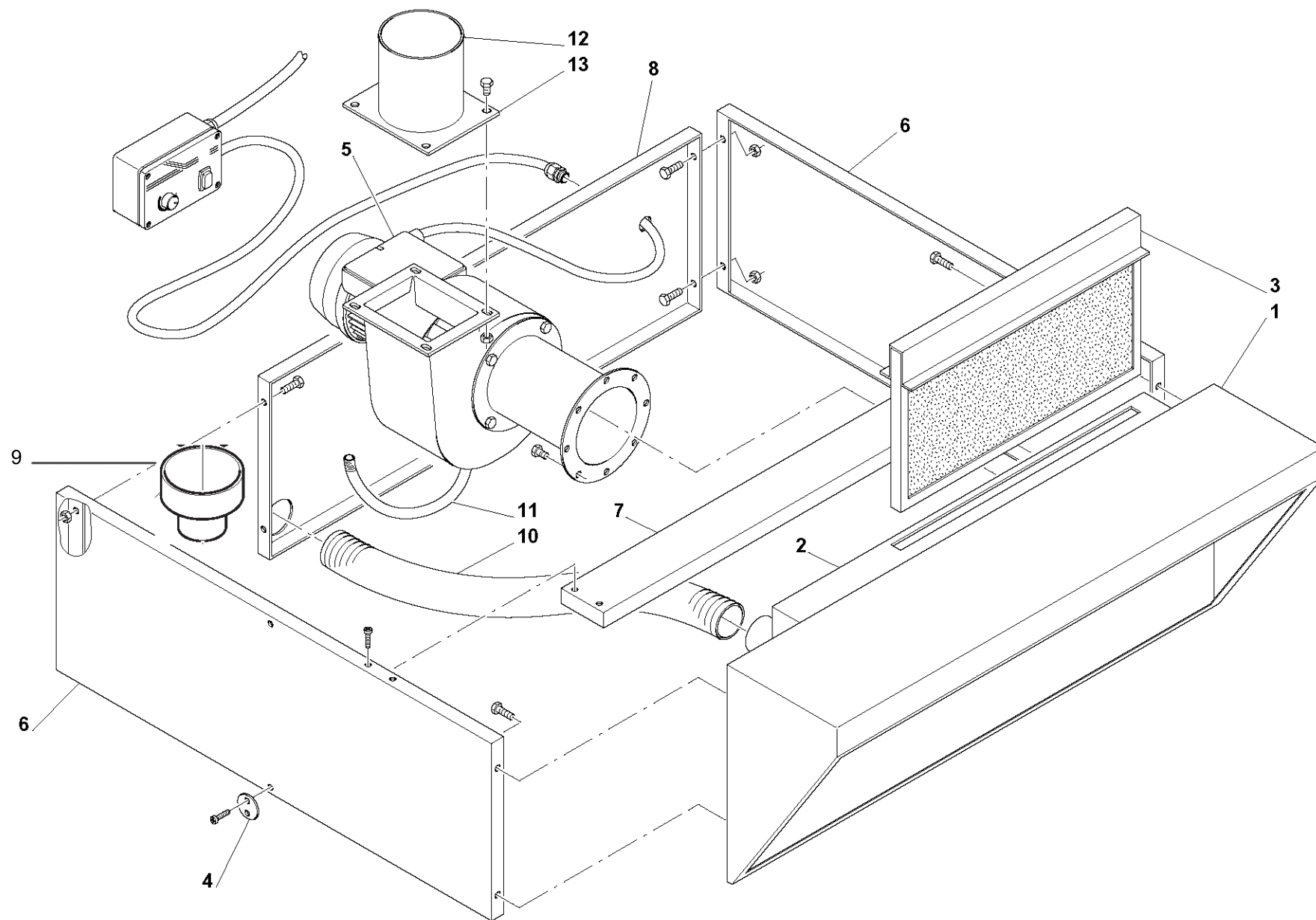
**QUADRO DIGITALE - DIGITAL PANEL - TABLEAU ANALOGIQUE
DIGITALSCHALTAFEL - CUADRO DIGITAL**



CAPPA - HOOD - HOTTE
KAPPE - CAMPANA

Tav. 06

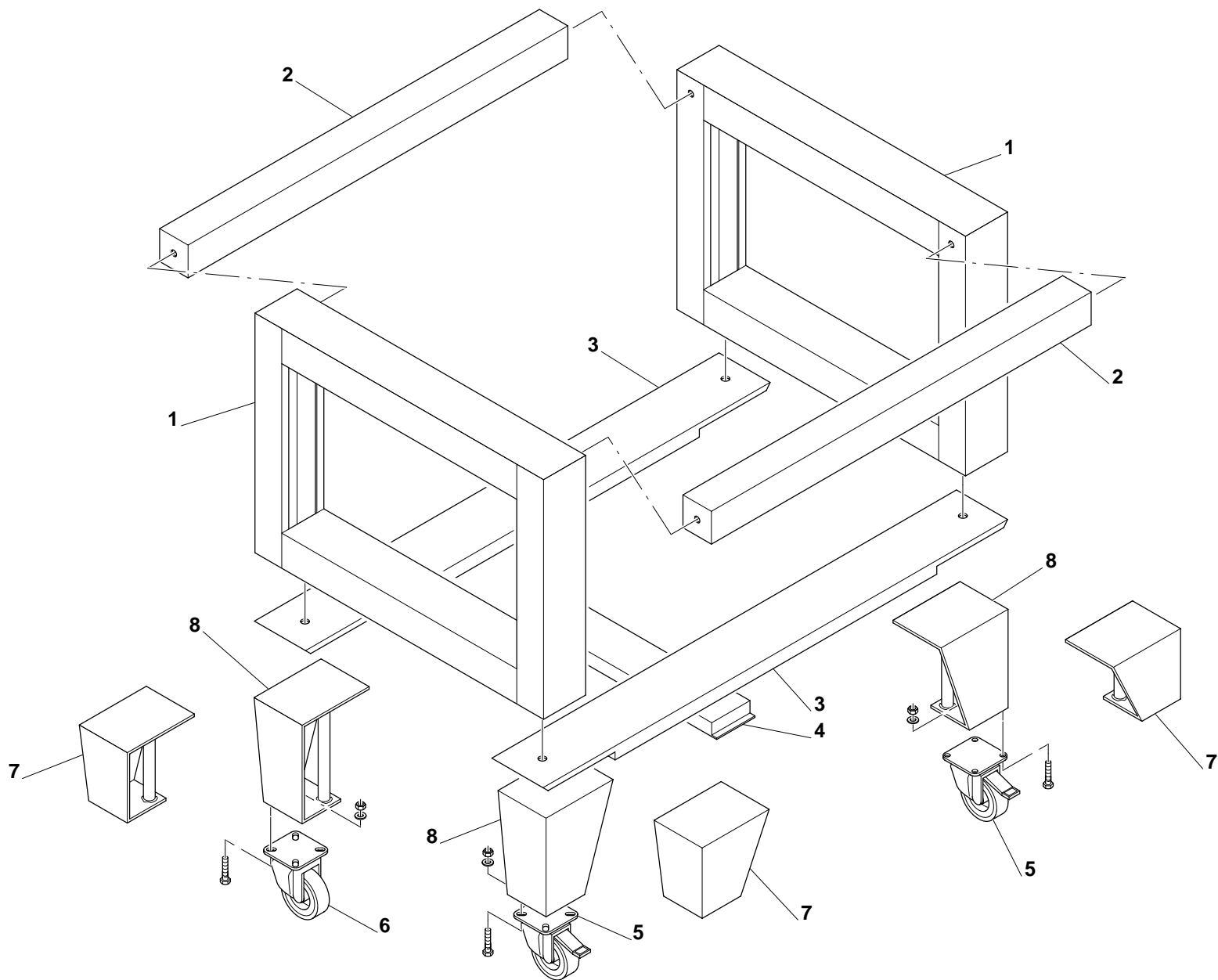
POS.	CODICE	DESCRIZIONE	DESCRIPTION	DESCRIPTION	BESCHREIBUNG	DESCRIPCION
1	ACW0900	C.FRONTALE CAPPA 66/69	PANEL	PLAQUE	TAFEL	PANEL
	ACW3900	C.FRONTALE CAPPA 77	PANEL	PLAQUE	TAFEL	PANEL
	ACW2700	C.FRONTALE CAPPA 96/99/109	PANEL	PLAQUE	TAFEL	PANEL
	ACW2900	C.FRONTALE CAPPA 111	PANEL	PLAQUE	TAFEL	PANEL
2	ABQ1500	C.COLLETTORE CAPPE	COLLECTOR	COLLECTEUR	SAMMELROHR	COLECTOR
3	ACW2510	C.FILTRO	FILTER	FILTRE	FILTER	FILTRO
4	ACW7410	DISCHETTO FISSAGGIO	DISK	DISQUE	SCHEIBE	DISCO
5	ES28800	ASP. INOX+MOT.KW.0,25+REG.	VENTILATION GROUP	GROUPE VENTILATION	GRUPPEBELÜFTUNG	GRUPO VENTILACION
6	ACW9000	PANN.LAT.DX-SX	PANEL	PLAQUE	TAFEL	PANEL
7	ACW1710	TRAVERSINO CAPPA 66/69	SUPPORT	SUPPORT	LAGER	SOPORTE
	ACW3810	TRAVERSINO CAPPA 77	SUPPORT	SUPPORT	LAGER	SOPORTE
	ACW7310	TRAVERSINO CAPPA 96/99/109	SUPPORT	SUPPORT	LAGER	SOPORTE
	ACW1610	TRAVERSINO CAPPA 111	SUPPORT	SUPPORT	LAGER	SOPORTE
8	ACW2310	PANN.PST.CAPPA 66/69	PANEL	PLAQUE	TAFEL	PANEL
	ACW3510	PANN.PST.CAPPA 77	PANEL	PLAQUE	TAFEL	PANEL
	ACW8710	PANN.PST.CAPPA 96/99/109	PANEL	PLAQUE	TAFEL	PANEL
	ACW1110	PANN.PST.CAPPA 111	PANEL	PLAQUE	TAFEL	PANEL
9	ACW5510	COMPL.DIST.TUBO	UNION	RACCORD	STUTZEN	JUNTA
10	HAT90R0	TUBO FLESSIBILE D.80	PIPE	TUYAU	ROHR	TUBO
11	DI07100	TUBO D.16X22	PIPE	TUYAU	ROHR	TUBO
12	QAC0800	ROSONE CAPPE	SUPPORT	SUPPORT	LAGER	SOPORTE
13	ACW4210	PIASTRA FISS.ROSONE	PLATE	PLAQUE	PLATTE	PLACA



**SUPPORTO - SUPPORTS - SUPPORTS
STÜTZEN - SOPORTES**

Tav. 07

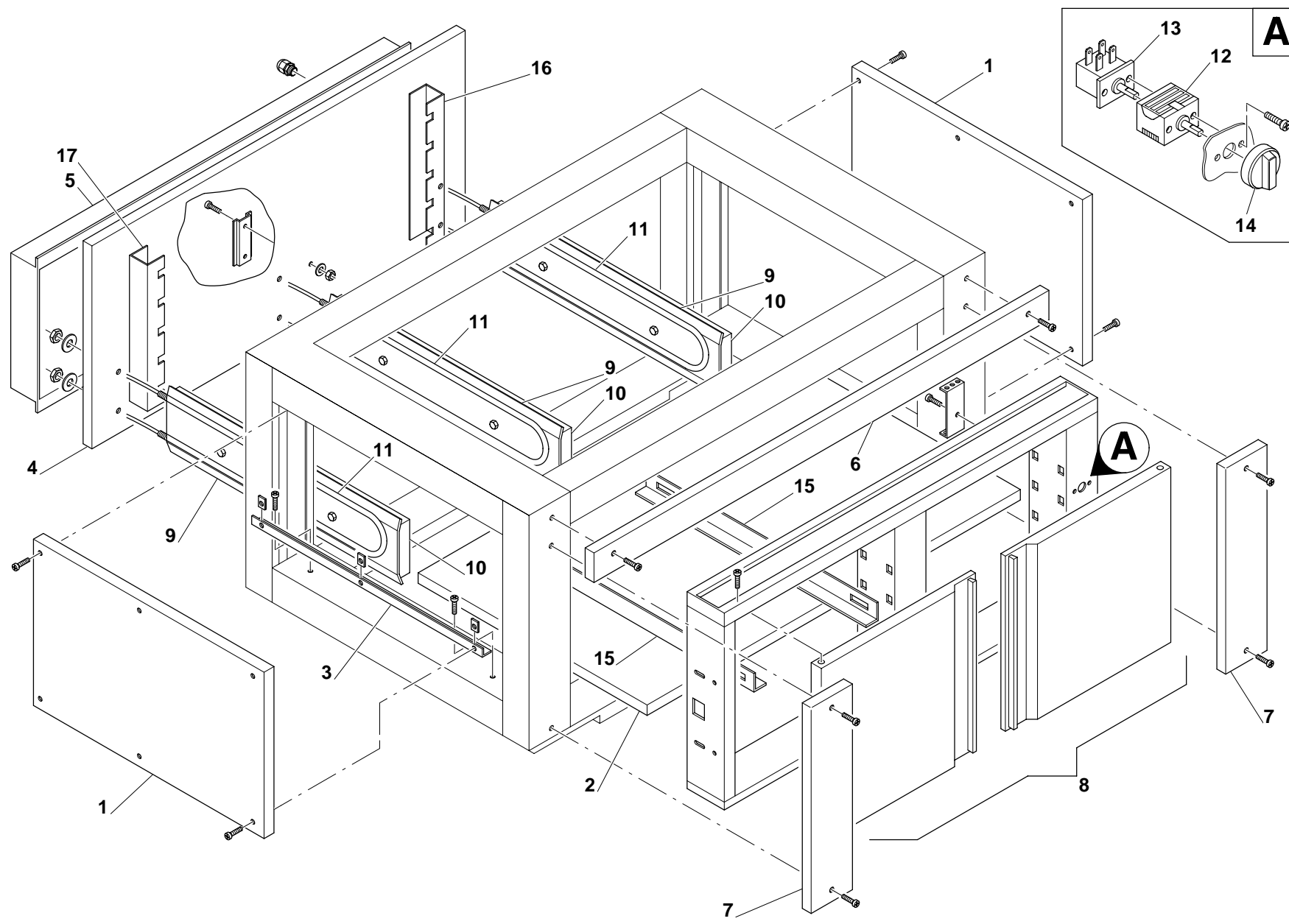
POS.	CODICE	DESCRIZIONE	DESCRIPTION	DESCRIPTION	BESCHREIBUNG	DESCRIPCION
1	BWT9620	TELAIO SUPP. 66/77/96	FRAME	CHÂISSIS	RHAMEN	BASTIDOR
	BWT9920	TELAIO SUPP. 69/99	FRAME	CHÂISSIS	RHAMEN	BASTIDOR
	BWT9520	TELAIO SUPP. 109/111	FRAME	CHÂISSIS	RHAMEN	BASTIDOR
2	BWL7620	TRAV.A 2 FORI 66/69	SUPPORT	SUPPORT	LAGER	SOPORTE
	BWL2520	TRAV.A 2 FORI 77	SUPPORT	SUPPORT	LAGER	SOPORTE
	BWL6620	TRAV.A.2 FORI 96/99/109	SUPPORT	SUPPORT	LAGER	SOPORTE
	BWL8220	TRAV.A 2 FORI 111	SUPPORT	SUPPORT	LAGER	SOPORTE
3	BWL5820	TRAV.INF/ANT/PST 66/69	SUPPORT	SUPPORT	LAGER	SOPORTE
	BWL3020	TRAV.INF/ANT/PST 77	SUPPORT	SUPPORT	LAGER	SOPORTE
	BWL8020	TRAV.INF/ANT/PST 96/99/109	SUPPORT	SUPPORT	LAGER	SOPORTE
	BWL8520	TRAV.INF/ANT/PST 111	SUPPORT	SUPPORT	LAGER	SOPORTE
4	BWL4620	DIV.TIRANTI 66/77/96	FLASK	BRIDE	HALTER	SOPORTE
	BWL6220	DIV.TIRANTI 69/99	FLASK	BRIDE	HALTER	SOPORTE
	BWL4720	DIV.TIRANTI 109/111	FLASK	BRIDE	HALTER	SOPORTE
5	AC080R0	RUOTA D.125+FRENO	WHEEL	ROUE	RAD	RUEDA
6	AC068R0	RUOTA D.125 S/FRENO	WHEEL	ROUE	RAD	RUEDA
7	BWT6720	ALZATINA X BICAMERA	SUPPORT FOOT	PIEDS D'APPUI	FUSSLAGER	PIE DE SOPORTE
8	BWT7020	ALZATINA X MONOCAMERA	SUPPORT FOOT	PIEDS D'APPUI	FUSSLAGER	PIE DE SOPORTE



**CELLA - CELL - CELLULE
ZELLEN - CAMARA**

Tav. 08

POS.	CODICE	DESCRIZIONE	DESCRIPTION	DESCRIPTION	BESCHREIBUNG	DESCRIPCION
1	BWP5111	FIANCO CELLA 66/77/96	LATERAL PANEL	TABLEAU LATERAL	TAFELSEITLICH	PANEL LATERAL
	BWP5311	FIANCO CELLA 69/99	LATERAL PANEL	TABLEAU LATERAL	TAFELSEITLICH	PANEL LATERAL
	BWP5511	FIANCO CELLA 109/111	LATERAL PANEL	TABLEAULATERAL	TAFELSEITLICH	PANEL LATERAL
2	BWP9300	FONDO CELLA 66	BACK PANEL	FOND PLAQUE	TAFELGRUND	PANEL DE FONDO
	BWP9410	FONDO CELLA 69	BACK PANEL	FOND PLAQUE	TAFELGRUND	PANEL DE FONDO
	BWP9900	FONDO CELLA 77	BACK PANEL	FOND PLAQUE	TAFELGRUND	PANEL DE FONDO
	BWP9510	FONDO CELLA 96	BACK PANEL	FOND PLAQUE	TAFELGRUND	PANEL DE FONDO
	BWP9610	FONDO CELLA 99	BACK PANEL	FOND PLAQUE	TAFELGRUND	PANEL DE FONDO
	BWP9710	FONDO CELLA 109	BACK PANEL	FOND PLAQUE	TAFELGRUND	PANEL DE FONDO
	BWP9810	FONDO CELLA 111	BACK PANEL	FOND PLAQUE	TAFELGRUND	PANEL DE FONDO
3	BWP1110	ANG.FISS.FIANCHI 66/77/96	ANGLE	CORNIÈRE	ECKSTÜCK	ANGULAR
	BWP0110	ANG.FISS.FIANCHI 69/99	ANGLE	CORNIÈRE	ECKSTÜCK	ANGULAR
	BWP3110	ANG.FISS.FIANCHI 109/111	ANGLE	CORNIÈRE	ECKSTÜCK	ANGULAR
4	BWP7710	SCHIENALE CELLA 66/69	REAR PANNEL	TABLEAU DERRIÈRE	TAFELHINTER	PANEL TRASERO
	BWP3710	SCHIENALE CELLA 77	REAR PANNEL	TABLEAU DERRIÈRE	TAFELHINTER	PANEL TRASERO
	BWP9110	SCHIENALE CELLA 96/99/109	REAR PANNEL	TABLEAU DERRIÈRE	TAFELHINTER	PANEL TRASERO
	BWP9210	SCHIENALE CELLA 111	REAR PANNEL	TABLEAU DERRIÈRE	TAFELHINTER	PANEL TRASERO
5	BWL7810	PROTEZ. RESIST. POST. 66/69	PROTECTION	PROTECTION	SCHUTZ	PROTECCION
	BWL2610	PROTEZ. RESIST. POST. 77	PROTECTION	PROTECTION	SCHUTZ	PROTECCION
	BWL6110	PROT. RESIST. POST. 96/99/109	PROTECTION	PROTECTION	SCHUTZ	PROTECCION
	BWL3710	PROTEZ. RESIST. POST. 111	PROTECTION	PROTECTION	SCHUTZ	PROTECCION
6	BWL7710	TRAVERSA COPERTURA 66/69	FLASK	BRIDE	HALTER	SOPORTE
	BWL2410	TRAVERSA COPERTURA 77	FLASK	BRIDE	HALTER	SOPORTE
	BWL6310	TRAVERSA COPERT. 96/99/109	FLASK	BRIDE	HALTER	SOPORTE
	BWL8110	TRAVERSA COPERTURA 111	FLASK	BRIDE	HALTER	SOPORTE
7	BWL6410	TRAV. COP. LAT. (TUTTI I MODELLI)	FLASK	BRIDE	HALTER	SOPORTE
8	BWS7900	COMPL. FRONTALE CLB 66/69	FRONT GROUP	GROUPE ANTÉRIEUT	FRÜHERGRUPPE	GRUPO ANTERIOR
	BWS7810	COMPL. FRONTALE CLB 77	FRONT GROUP	GROUPE ANTÉRIEUT	FRÜHERGRUPPE	GRUPO ANTERIOR
	BWS8000	COMPL. FRONT. CLB 96/99/109	FRONT GROUP	GROUPE ANTÉRIEUT	FRÜHERGRUPPE	GRUPO ANTERIOR
	BWS8100	COMPL. FRONTALE CLB 111	FRONT GROUP	GROUPE ANTÉRIEUT	FRÜHERGRUPPE	GRUPO ANTERIOR
9	BQP2610	PROTEZ.RESIST.CELLA 66/77/69	PROTECTION	PROTECTION	SCHUTZ	PROTECCION
	BQP3010	PROTEZ.RESIST.CELLA 69/99	PROTECTION	PROTECTION	SCHUTZ	PROTECCION
	BQP2810	PROTEZ.RESIST.CELLA 109/111	PROTECTION	PROTECTION	SCHUTZ	PROTECCION
10	BQP2710	COP. PROTEZ.RESIST. 66/77/96	COVER	COUVERCLE	DEKEL	TAPA
	BQP3110	COP. PROTEZ.RESIST. 69/99	COVER	COUVERCLE	DEKEL	TAPA
	BQP2910	COP. PROTEZ.RESIST. 109/111	COVER	COUVERCLE	DEKEL	TAPA
11	EE22300	RESIST.W.300 V.230 66/77/96	RESISTANCE	RÉSISTANCE	WINDERSTAND	RESISTENCIA
	EE22200	RESIST.W.400 V.230 69/99	RESISTANCE	RÉSISTANCE	WINDERSTAND	RESISTENCIA
	EE22100	RESIST.W.500 V.230 109/111	RESISTANCE	RÉSISTANCE	WINDERSTAND	RESISTENCIA
12	EH03000	COMMUTATORE	SWITCH	INTERRUPTEUR	SCHALTER	INERRUPTOR



**CELLA - CELL - CELLULE
ZELLEN - CAMARA**

Tav. 08

POS.	CODICE	DESCRIZIONE	DESCRIPTION	DESCRIPTION	BESCHREIBUNG	DESCRIPCION
13	ED00100	TERMOSTATO 30/90° CAP..MT1,5	THERMOSTAT	THERMOSTAT	REGELTHERMOSTAT	TERMOSTATO
14	AC06200	MANOPOLA COMMUTATORE	COMMUT. HAND GRIP	POIGNEE COMMUT.	UMSCHALTER GRIFF	MANIJA CONMUTADOR
15	BQP0110	GUIDA TEGLIE CELLA 66/77/96	GUIDE	GUIDE	HUND	GUIA
	BWP7210	GUIDA TEGLIE CELLA 69/99	GUIDE	GUIDE	HUND	GUIA
	BWP7310	GUIDA TEGLIE CELLA 109/111	GUIDE	GUIDE	HUND	GUIA
16	BWL1710	APPOGGIO GUIDA TEGLIE DX	SUPPORT	SUPPORT	LAGER	SOPORTE
17	BWL0310	APPOGGIO GUIDA TEGLIE SX	SUPPORT	SUPPORT	LAGER	SOPORTE

