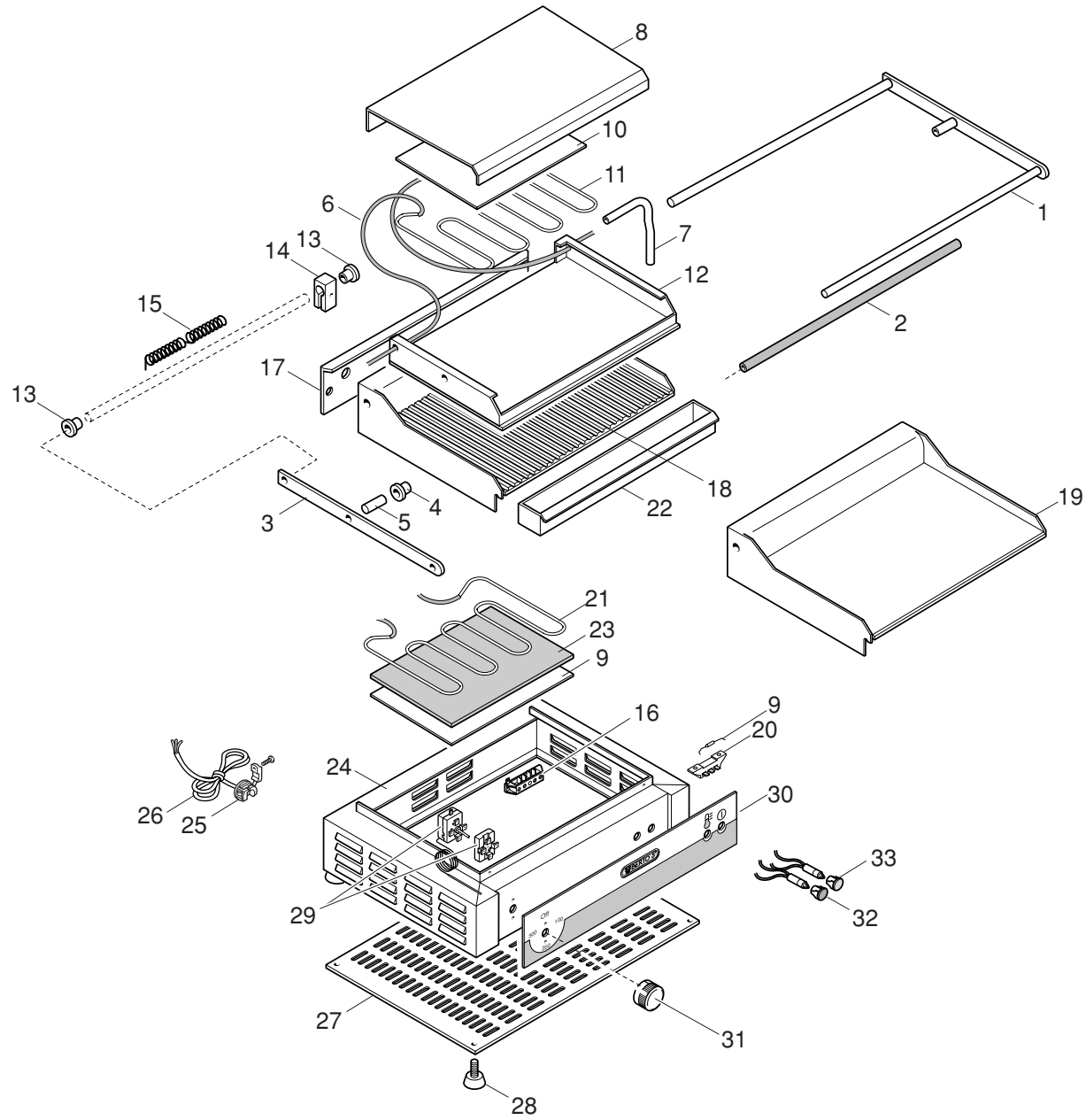


Mod. PML/ST
Mod. PMR/ST



Mod. PML/ST
Mod. PMR/ST

Pos. Item	CODICE CODE CÓDIGO	DESCRIZIONE	ITEM DESCRIPTION	DÉSIGNATION ARTICLES	ARTIKELBESCHREIBUNG	DESCRIPCIÓN ARTÍCULOS	N° pezzi/ No. piezas/ Quantité Stückanzahl/ N° piezas						
											PML/ST	PMR/ST	
1	30876300	Ass. maniglia DX PM	Handle complete RH PM	Poignee complete droite PM	Kompletter Griff PM	Conjunto asa dcha. PM						1	1
2	30875400	Manico Moplen rosso PM	Red Moplen pin PM	Manche Moplen rouge PM	Roter Moplen Griff PM	Asa Moplen roja PM						1	1
3	30875700	Manico laterale per piastra	Side Handle	Manche latéral	Seitlicher Griff	Asa lateral para plancha						1	1
4	30779900	Boccola zincata	Galvanised bushing	Douville galvanisée	Verzinkte Buchse	Boquilla cincada						1	1
5	30908100	Perno laterale	Side pin	Pivot latéral	Seitlicher Bolzen	Perno lateral						2	2
6	30193400	Tubetto Ø 6mm Lung. 250mm	Tube Ø 6mm Length 250mm	Tuyau Ø 6mm, L 250mm	Rohrstück Ø 6mm Länge 250mm	Tubito Ø 6 mm. Largo 250 mm.						2	2
7	30810100	Curvetta passafili destra	Rh angle conduit	Conduit de protection cables D.Te	R. Gebogenes Stück Drahtführung	Codo para cables derecho						1	1
8	30804700	Coperchio piastra	lid	Couvercle	Deckel	Tapa plancha						1	1
9	30978000	Termofusibile	Thermofuse	Thermofusible	Thermoschmelzdraht	Termofusible						1	1
10	30868700	Lastra di protezione media	Protective sheet	Plaque de protection	Schutzplatte	Placa de protección media						2	2
11	30024100	Resistenza 1000 W - 230 V	1000 W - 230 V heating elem.	Résistance 1000 W - 230 V	Widerstand 1000 W - 230 V	Resistencia 1000 W - 230 V						1	1
12	30911100	Piastra superiore rigata	Ribbed upper plate	Plaque supérieure rainurée	Geriefte Obere Platte	Placa superior estriada						1	1
13	30780200	Boccola con cava	Bushing with cavity	Douille creuse	Buchse mit Nut	Boquilla ranurada						2	2
14	30779100	Blocco frizione	Friction block	Embrayage	Block Verbindung	Embrague						1	1
15	30613100	Molla	Spring	Ressort	Feder	Muelle						1	1
16	30183800	Morsettiera 3 poli	3-pin terminal board	Bornier 3 pôles	3-polige Klemmleiste	Bornera de 3 polos						1	1
17	30790300	Carter posteriore	Rear casing	Carter arrière	Hinteres Gehäuse	Carter posterior						1	1
18	30910700	Piastra inferiore PMR/ST	Lower plate PMR/ST	Plaque inférieure PMR/ST	Untere Platte PMR/ST	Placa inferior PMR/ST						1	-
19	30910800	Piastra inferiore PML/ST	Lower plate PML/ST	Plaque inférieure PML/ST	Untere Platte PML/ST	Placa inferior PML/ST						-	1
20	30184800	Morsettiera laterale FV 77/3	Lateral Terminal Board FV 77/3	Bornier latéral FV 77/3	Seitliche Klemmenleiste FV 77/3	Bornera lateral FV 77						1	1
21	30024300	Resistenza 1500 W - 230 V	1500 W - 230 V heating elem.	Résistance 1500 W - 230 V	Widerstand 1500 W - 230 V	Resistencia 1500 W - 230 V						1	1
22	30792000	Cassetto Raccogli sugh	Drip Tray	Bac Recueille-sauces	Sossen-Auffangschale	Cajón colector de los jugos						1	1
23	30921900	Quadrotto Isomart 320x170x4	Isomart panel 320x170x4	Tableau Isomart 320x170x4	Tafel Isomart 320x170x4	Panel Isomart 320x170x4						1	1
24	30863500	Involucro base	Base enclosure	Couverture base	Hülle basis	Envoltura base						1	1
25	30185400	Passacavo	Cable guide	Passe-câble	Kabelführung	Aislador pasapanel						1	1
26	30192400	Cavo alimentazione 3 x 1,5mm	Power supply cable 3 x 1,5mm	Câble d'alimentation 3 x 1,5mm	Versorgungskabel 3 x 1,5mm	Cable de alimentación 3x1,5 mm.						1	1
27	30838200	Fondo	Bottom	Fond	Boden	Fondo						1	1
28	30684100	Piedino	Foot	Pied	Fuss	Pata						4	4
29	30064600	Termostato+interruttore 270°C	270°C thermostat+switch	Thermostat+interrupteu 270°C	Thermostat+Schalter 270°C	Termostato + interruptor 270°C						1	1
30	30899400	Pannello adesivo Berto's	Berto's adhesive panel	Panneau adhésif Berto's	Haftendes paneel Berto's	Panel adhesivo Berto's						1	1
31	30654700	Manopola rossa	Red Knob	Manette Rouge	Roter Drehknopf	Mando rojo						1	1
32	30168500	Spia tonda arancio 230V	230V orange lamp	Témoin lumineux orange 230V	Orangef.Leuchtanzeige 230V	Piloto naranja redondo 230 V						1	1
33	30168800	Spia tonda verde 230V	230V green lamp	Témoin vert 230V	Grüne Anzeige 230V	Piloto verde redondo 230 V						1	1