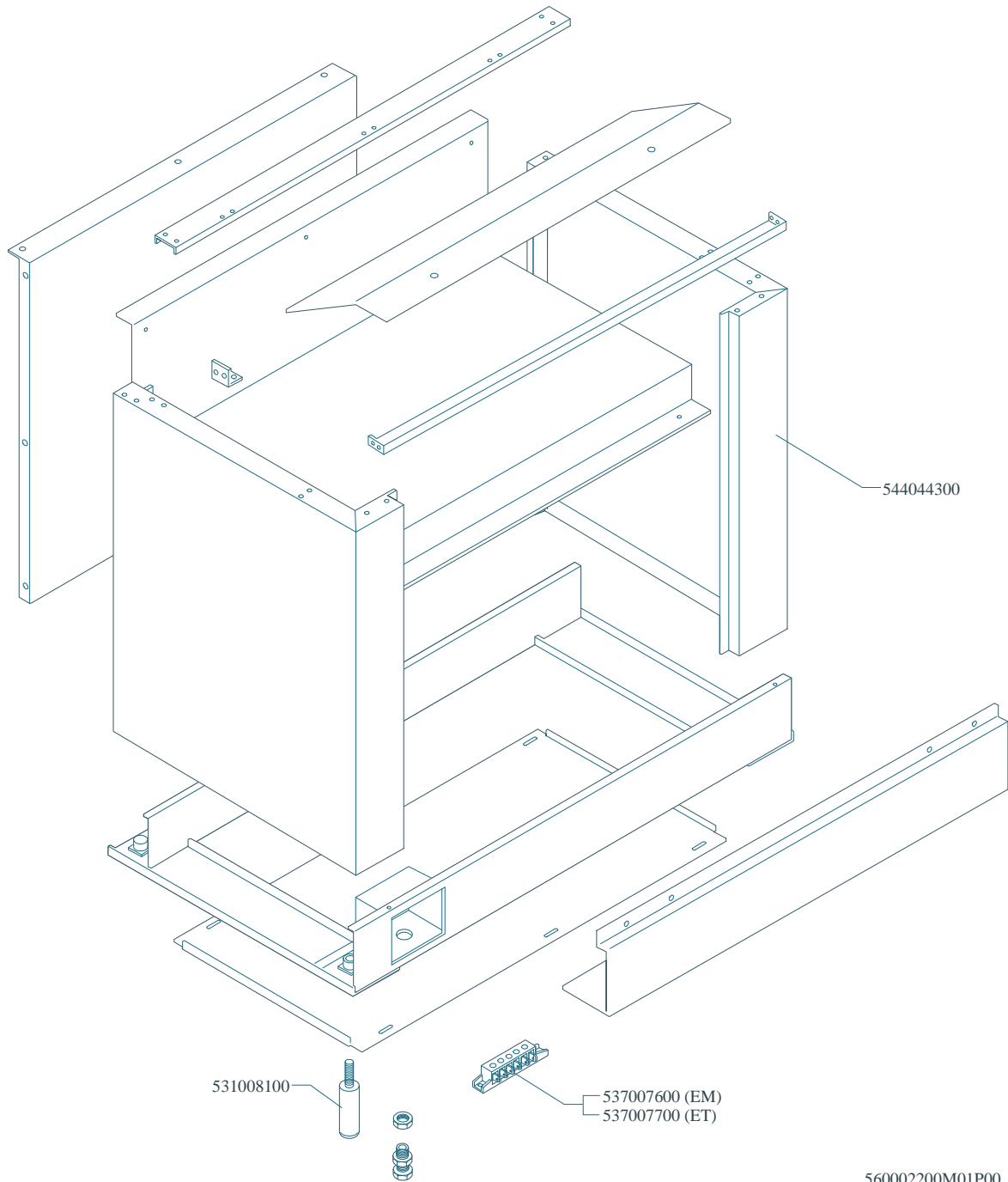


MAGIC SNACK 60

CUCINE / RANGES / HERDE / CUISINIÈRES / N° 0309
CF-10/6

CF-10EM/6 CF-10ET/6 CFM-10EM/6 CFM-10ET/6

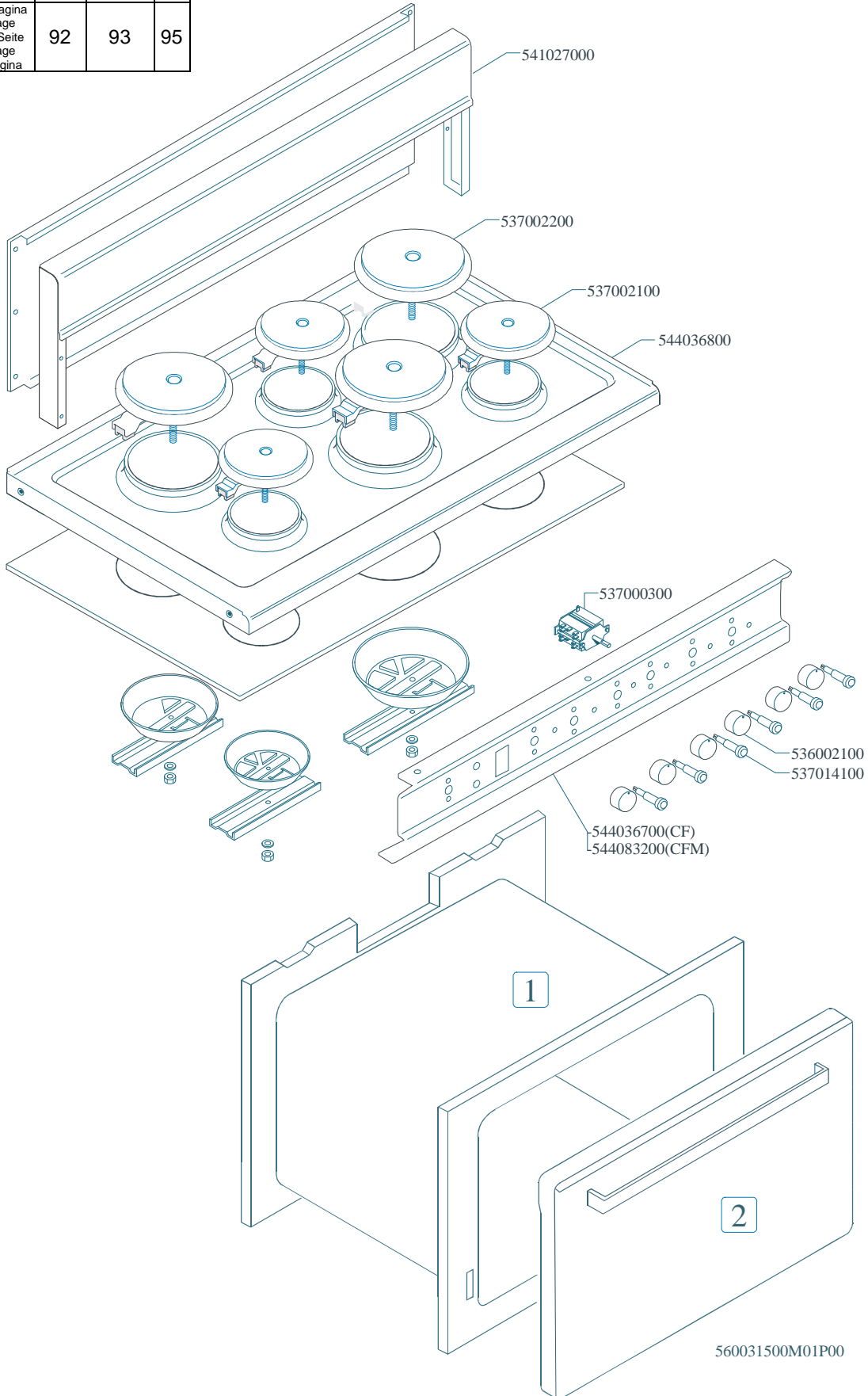


MAGIC SNACK 60

CUCINE / RANGES / HERDE / CUISINIÈRES / N° 0309
CF-10/6

CF-10EM/6 CF-10ET/6 CFM-10EM/6 CFM-10ET/6

| | 1CF | 1CFM | 2 |
|---|-----|------|----|
| Vedi Pagina See Page Siehe Seite Voir Page Ver Pàgina | 92 | 93 | 95 |

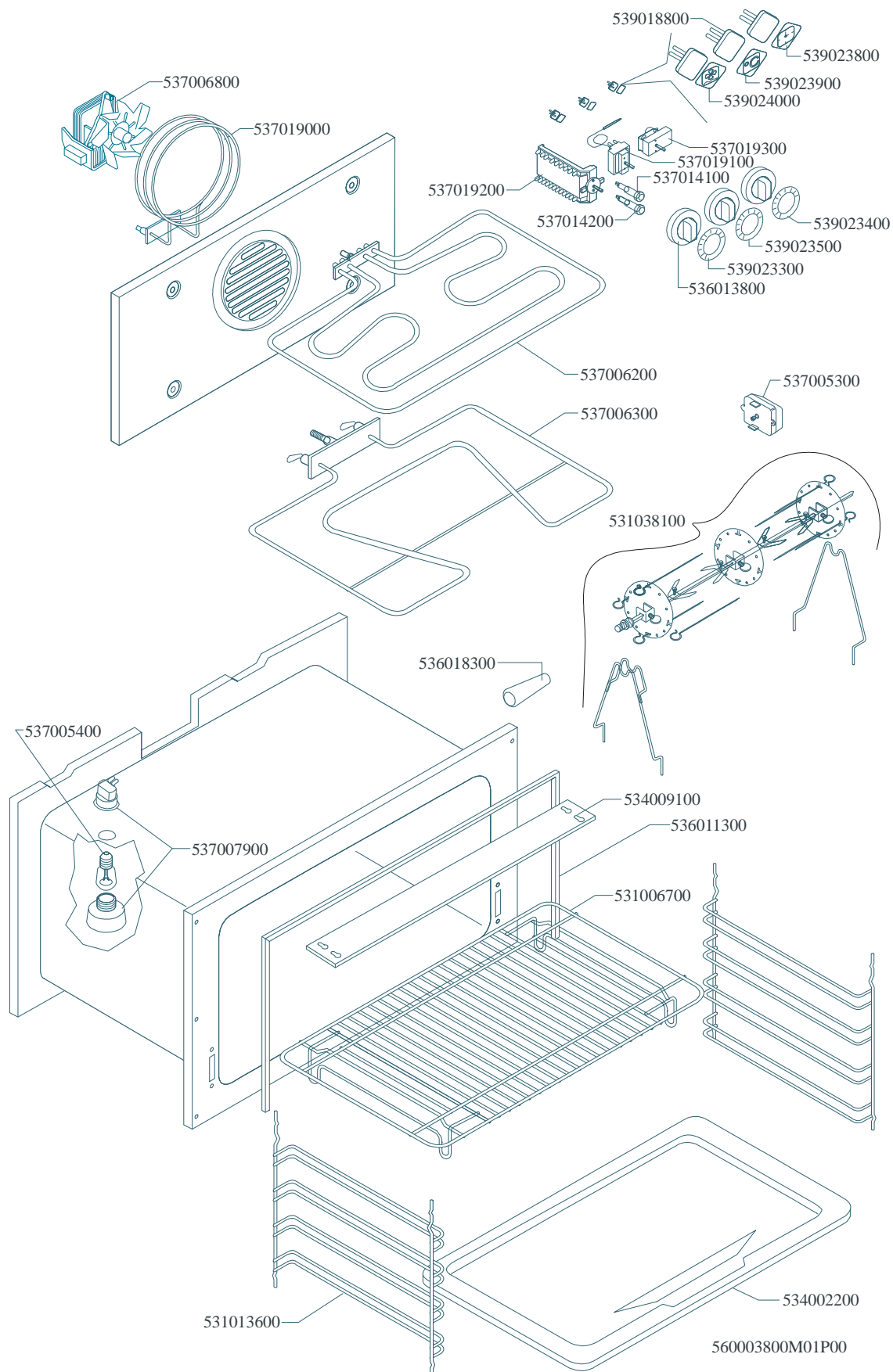


MAGIC SNACK 60

CUCINE / RANGES / HERDE / CUISINIÈRES / N° 0309

FORNO / OVEN / BACKOFEN / FOUR / CF-8 10 10/6

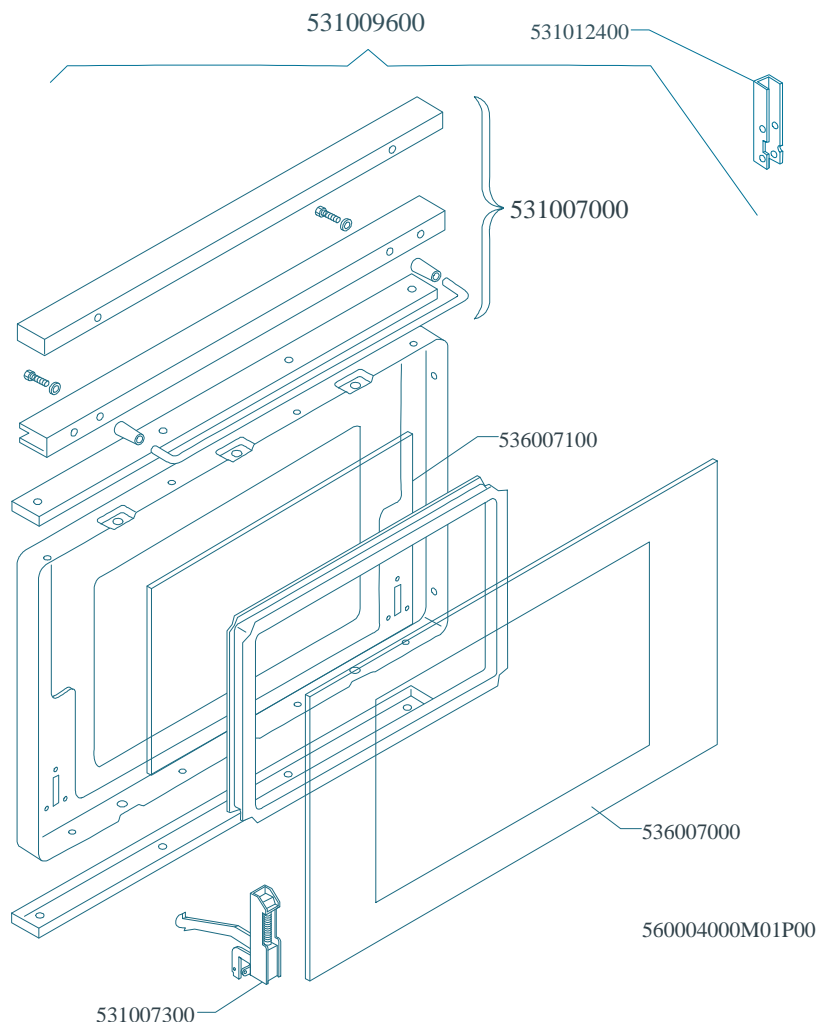
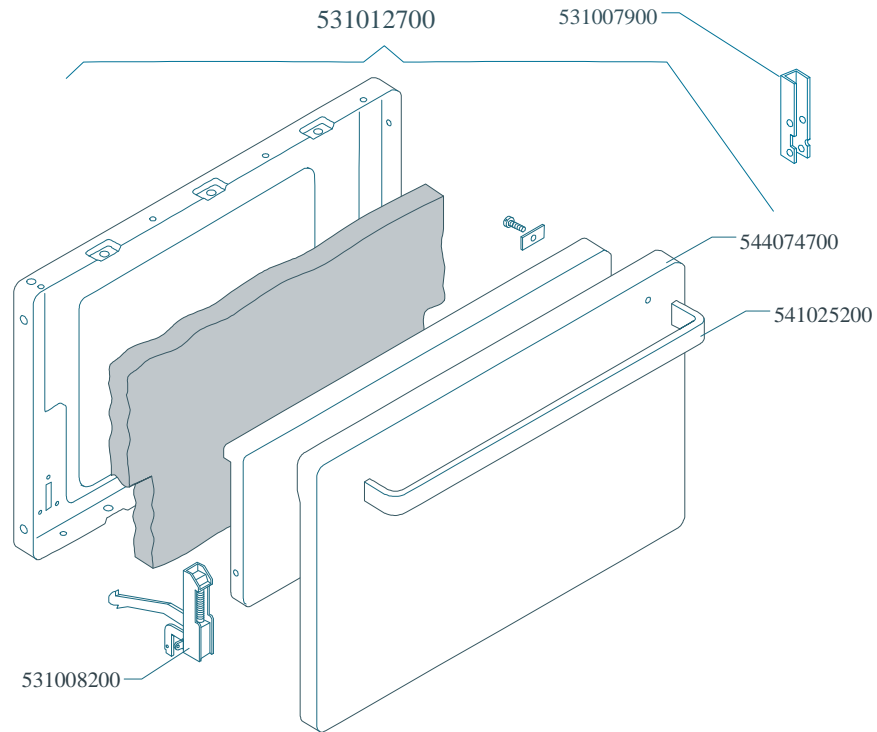
ELETTORICO MULTIFUNZIONE / MULTIFUNCTION ELECTRIC / MULTIFUNKTIONS
ELEKTRO / ELECTRIQUE A FONCTIONS MULTIPLES



MAGIC SNACK 60

CUCINE / RANGES / HERDE / CUISINIÈRES / N° 0309
FORNO / OVEN / BACKOFEN / FOUR / CF-8 10 10/6

PORTE / DOORS / TÜREN / PORTES



| Page | Pos | Code | Description |
|------|-----|-----------|-------------------------------------|
| 001 | | 544044300 | SIDE 1000 RANGE |
| 001 | | 531008100 | ADJUSTABLE LEG H9 CHROME |
| 001 | | 537007700 | TERMINAL BLOCK THREEPHASE 40A |
| 002 | | 541027000 | NEUTRAL SPACER 1000 |
| 002 | | 537002200 | ELECTRICAL PLATE D.180 W1500 V230 |
| 002 | | 537002100 | ELECTRICAL PLATE D.145 W1000 V230 |
| 002 | | 544036800 | UPPER PLATE CF-10E/6 |
| 002 | | 537000300 | COMMUTATOR 7 POSITIONS S.49 16A |
| 002 | | 536002100 | KNOB 7 POSITIONS SNACK |
| 002 | | 537014100 | WHITE WARNING LIGHT 250V |
| 002 | | 544083200 | CONTROL PANEL CFM-10ET/6 |
| 003 | | 539018800 | INDEX FOR OVEN KNOB |
| 003 | | 539023800 | SIGN PLATE FOR OVEN TIMER |
| 003 | | 539023900 | SIGN PLATE FOR OVEN TEMPERATURE |
| 003 | | 539024000 | SIGN PLATE FOR OVEN SELECTOR |
| 003 | | 537019300 | TIMER FOR MULTIFUNCTION OVEN |
| 003 | | 537019100 | THERMOSTAT FOR MULTIFUNCTION OVEN |
| 003 | | 537014100 | WHITE WARNING LIGHT 250V |
| 003 | | 537014200 | GREEN WARNING LIGHT 250V |
| 003 | | 537019200 | SELECTOR FOR MULTIFUNCTION OVEN |
| 003 | | 537006800 | FAN 240V CF-62 |
| 003 | | 537019000 | CIRCULAR HEATING ELEMENT FOR OVEN |
| 003 | | 539023400 | ADHESIVE GRADUATED DISC F.KNOB |
| 003 | | 539023500 | ADHESIVE GRAD.DISC *E.MULTIF.TERM. |
| 003 | | 539023300 | ADHESIVE GRADUATED DISC FOR KNOB |
| 003 | | 536013800 | KNOB D.70 BLACK 6*5 WITH SPRING |
| 003 | | 537006200 | UPPER OVEN HEATING EL.1000+2000W |
| 003 | | 537006300 | LOWER OVEN HEATING EL.W1750 230CF8/ |
| 003 | | 537005300 | MOTOR FOR SPIT CF-8/10 |
| 003 | | 531038100 | SPIT FOR MAXI MULTIF. NEW OVEN |
| 003 | | 536018300 | GRIP FOR ROTATING SPIT |
| 003 | | 537005400 | OVEN BULB 15W 300°C |
| 003 | | 534009100 | GRILL PROTECTION CF-8/10 |
| 003 | | 536011300 | OVEN GASKET CF-8/10 |
| 003 | | 537007900 | OVEN BULB-SOCKET |
| 003 | | 531006700 | OVEN GRID FOR CF-8/10 |
| 003 | | 534002200 | OVEN DRIPPING-PAN CF-8/10 |
| 003 | | 531013600 | SIDE GRID FOR MAXI/VENTILATED OVEN |
| 004 | | 531012700 | STAINLESS STEEL OVEN DOOR CF-8/10 |
| 004 | | 531007900 | STAINLESS STEEL DOOR WHEEL HOLDER |
| 004 | | 544074700 | STAINLESS STEEL OVEN DOOR PANEL |
| 004 | | 541025200 | STAINLESS STEEL OVEN DOOR HANDLE |
| 004 | | 531008200 | STAINLESS STEEL DOOR HINGE CF-8/10 |
| 004 | | 531009600 | COMPLETE GLASS OVEN DOOR |
| 004 | | 531012400 | GLASS DOOR WHEEL HOLDER CF-8/10 |
| 004 | | 531007000 | OVEN GLASS DOOR HANDLE CF-8/10 |
| 004 | | 536007100 | INTERNAL GLASS OVEN DOOR CF-8/10 |
| 004 | | 536007000 | EXTERNAL GLASS OVEN DOOR CF8/10 |
| 004 | | 531007300 | GLASS DOOR HINGE CF-8/10 |