



**Thermische Geräte Serie 900**  
**Gas-Nudelkocher**  
Artikel-Nr. 146009 (CR0786859)

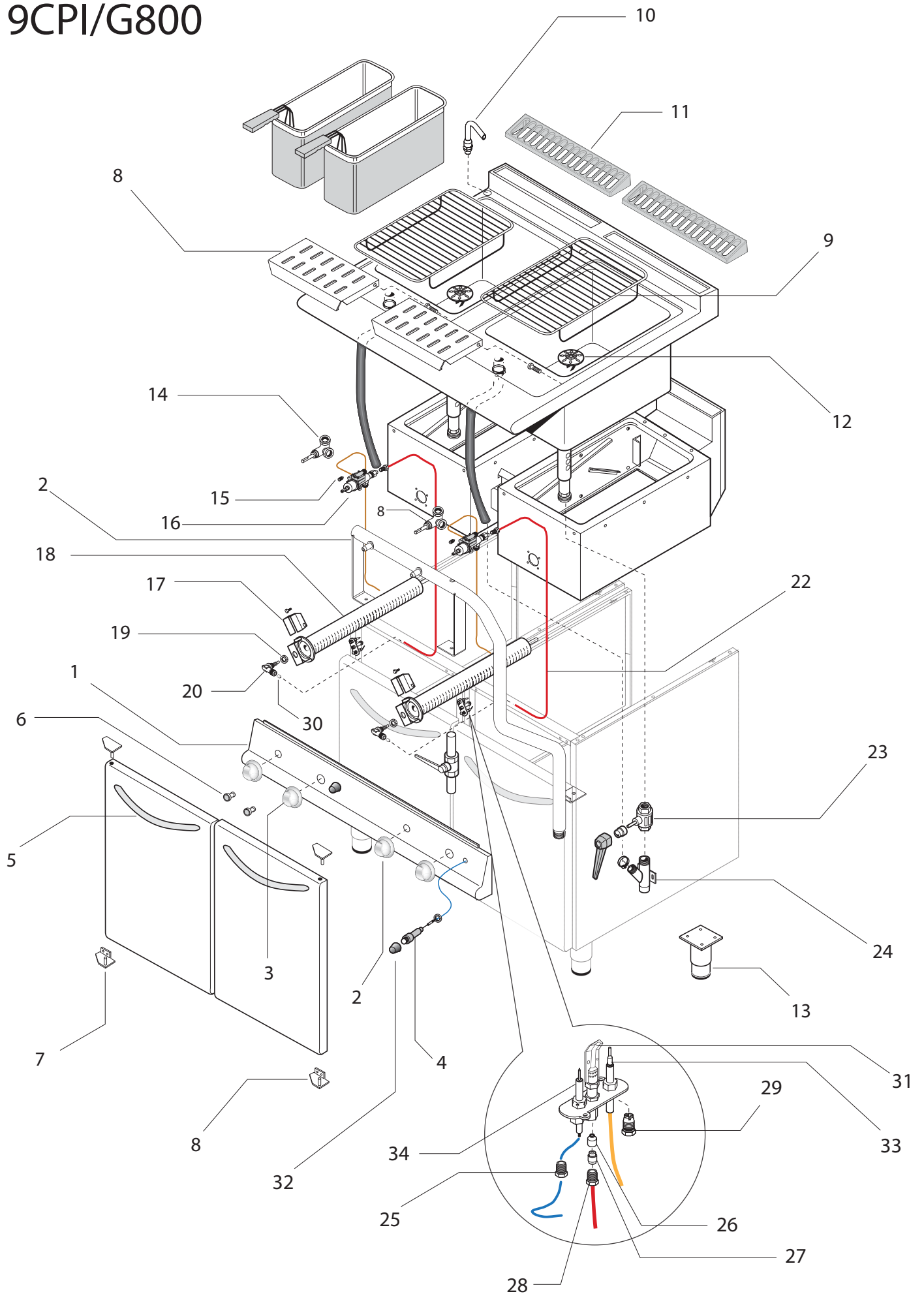
---

**Explosionszeichnung / Ersatzteile**

---

Bitte bei Ersatzteilbestellung immer Artikelnummer und Seriennummer mit angeben!

# 9CPI/G800



**Series 900**  
Pasta Cooker 9CPI/G800

**Table\_A**

POS.	CODE	PIECES	DESCRIPTION	DATA	C
1	CR0905730	1	CONTROL PANEL		C
2	CR0933930	2	COLD WATER KNOB		C
3	CR0932250	2	GAS KNOB		C
4	BN861310850	2	PIEZO		C
5	BN826430010	2	DOOR KNOB		C
6	CR0587700	2	MAGNETE		C
7	BN2547870	4	TOP LEFT BOTTOM RIGHT HINGE		
8	BN2547871	4	TOP RIGHT BOTTOM LEFT HINGE		
9	BN2519580	2	GRID		
10	BN6A022910	1	FAUCET		
11	CR0901240	2	DRAIN FILTER		
12	MA1817300	2	DRAIN FILTER		
13	MA60686113	8	FOOT		
14	BN82690070	2	WATER VALVE		
15	BN6A023271	2	BY PASS		C
16	CR0580450	2	GAS VALVE		
17	BN8220060	2	PRIMARY AIR REGULATOR		
18	BN2519433	2	BURNER		
19	BN6A0114775	2	NUT		
20	BN6A014708	2	ANGLE SHAPED DUCT		
21	CR0905580	1	GAS RAMP		
22	CR0905580	2	GAS VALVE - BURNER DUCT		
23	BN826901320	2	DRAIN VALVE		
24	BN826350202	2	DRAIN DUCT		
25	MA1888400	2	NUT FOR CANDLE		
26	TABLE B	2	PILOT NOZZLE		C
27	BN6A011706	2	PILOT BICONE		
28	BN6A011705	2	NUT FOR PILOT		
29	MA1891700	2	THERMOCOPY NUT		
30	TABLE B	2	BURNER NOZZLE		C
31	BN6A013220	2	PILOT		C
32	BN826630420	2	COVER FOR PIEZO		
33	MA90520	2	THERMOCOPY		C
34	BN6A013302	2	PILOT STARTER		

C >>> Recommended exchange

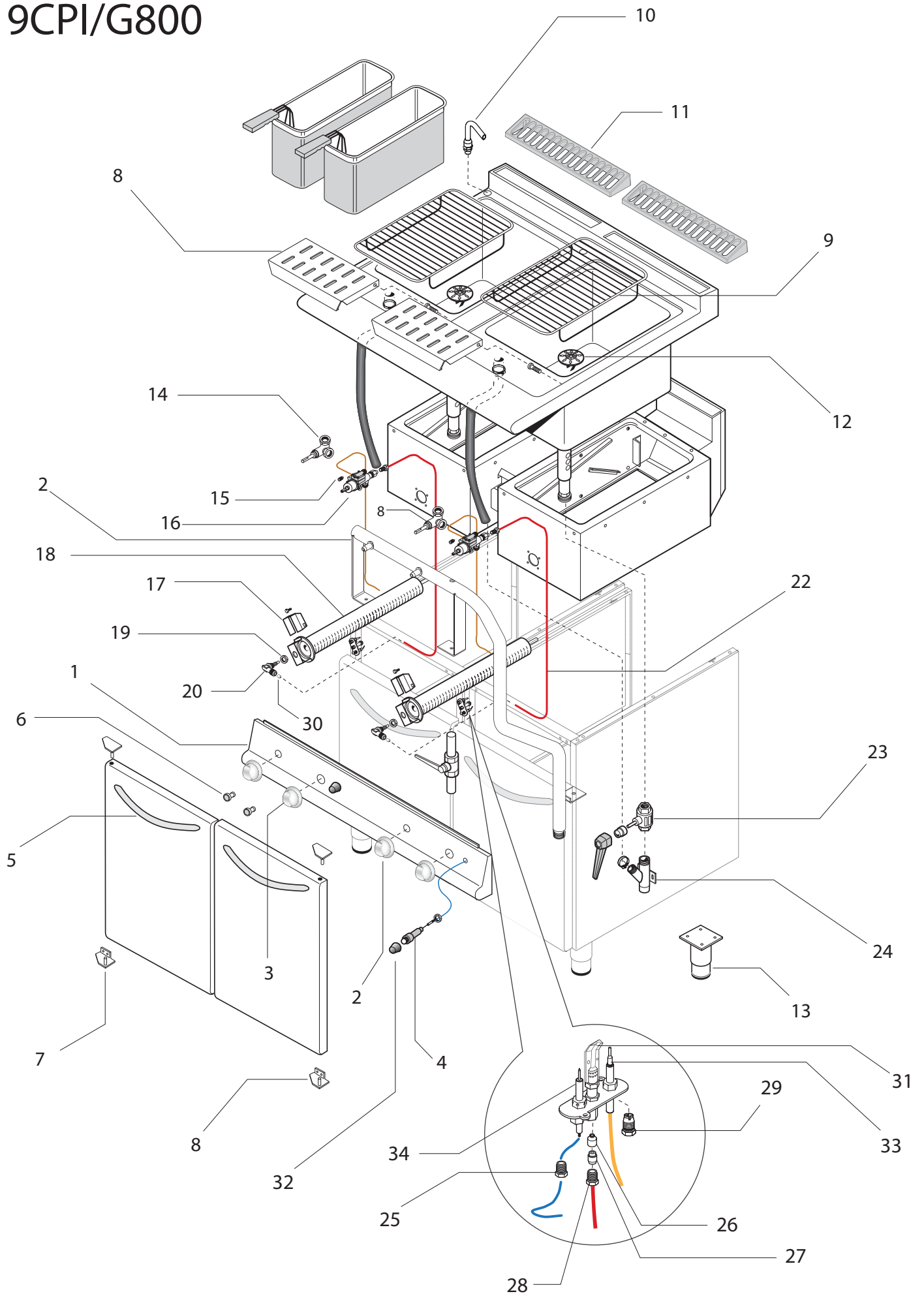
## Series 900

### Table\_B

POS	COD	QUANT	DIAM	GAS
26	BN6A013230	1	∅ 27,2	◻ ▲ ▼ † ■
26	BN6A013240	1	∅ 16,2	○ ◻ •
30	BN2510430	1	∅ 210	◻ ○
30	BN2510330	1	∅ 185	•
30	BN2510457	1	∅ 325	◻
30	BN2510507	1	∅ 340	▲
30	BN2510331	1	∅ 370	▼ ■
30		1	∅ 310	+

ID GAS | • G30/50   ◻ G30÷31/37   ○ G30/28÷37  
 ◻ G20/20   ▲ G25/25   ▼ G25/20   ■ G25.1/25   † G20/26  
 G110 8mbar   G120 8mbar

# 9CPI/G800



**Series 900**  
Cuoci Pasta 9CPI/G800

**Table\_A**

POS.	CODICE	PEZZI	DESCRIZIONE	DATA	C
1	CR0905730	1	CRUSCOTTO		
2	CR0933930	2	MANIOPOLA ACQUA FREDDA		C
3	CR0932250	2	MANIOPOLA GAS		C
4	BN861310850	2	PIEZO		C
5	BN826430010	2	MANIGLIA PORTA		
6	CR0587700	2	MAGNETE		C
7	BN2547870	4	CERNIERA ALTO SX BASSO DX		
8	BN2547871	4	CERNIERA ALTO DX BASSO SX		
9	BN2519580	2	GRIGLIA SUPPORTO CESTELLI		
10	BN6A022910	1	EROGATORE ACQUA		
11	CR0901240	2	GRIGLIA SCARICO FUMI		
12	MA1817300	2	FILTRO DI SCARICO		
13	MA60686113	8	PIEDINI		
14	BN82690070	2	RUBINETTO ACQUA		
15	BN6A023271	2	BY PASS		
16	CR0580450	2	RUBINETTO GAS		
17	BN8220060	2	REGOLATORE ARIA BRUC.		
18	BN2519433	2	BRUCIATORE		
19	BN6A0114775	2	DADO		
20	BN6A014708	2	CONDUTTURA AD ANGOLO		
21	CR0905580	1	RAMPA		
22	CR0905580	2	CONDUTTURA RUB. GAS - BRUC.		
23	BN826901320	2	RUBINETTO SVUOTAMENTO		
24	BN826350202	2	TUBO DI SCARICO		
25	MA1888400	2	DADO PER CANDELA		
26	TABLE B	2	UGELLO PILOTA		
27	BN6A011706	2	BICONO PILOTA		
28	BN6A011705	2	DADO PER PILOTA		
29	MA1891700	2	DADO PER TERMOCOPPIA		
30	TABLE B	2	UGELLO BRUCIATORE		C
31	BN6A013220	2	PILOTA		C
32	BN826630420	2	PROTEZIONE PIEZO		
33	MA90520	2	TERMOCOPPIA		C
34	BN6A013302	2	CANDELA		

C >>> Ricambio consigliato

## Series 900

### Table\_B

POS	COD	QUANT	DIAM	GAS
26	BN6A013230	1	∅ 27,2	◻ ▲ ▼ † ■
26	BN6A013240	1	∅ 16,2	○ ◻ •
30	BN2510430	1	∅ 210	◻ ○
30	BN2510330	1	∅ 185	•
30	BN2510457	1	∅ 325	◻
30	BN2510507	1	∅ 340	▲
30	BN2510331	1	∅ 370	▼ ■
30		1	∅ 310	+

ID GAS | • G30/50   ◻ G30÷31/37   ○ G30/28÷37  
 ◻ G20/20   ▲ G25/25   ▼ G25/20   ■ G25.1/25   † G20/26  
 G110 8mbar   G120 8mbar