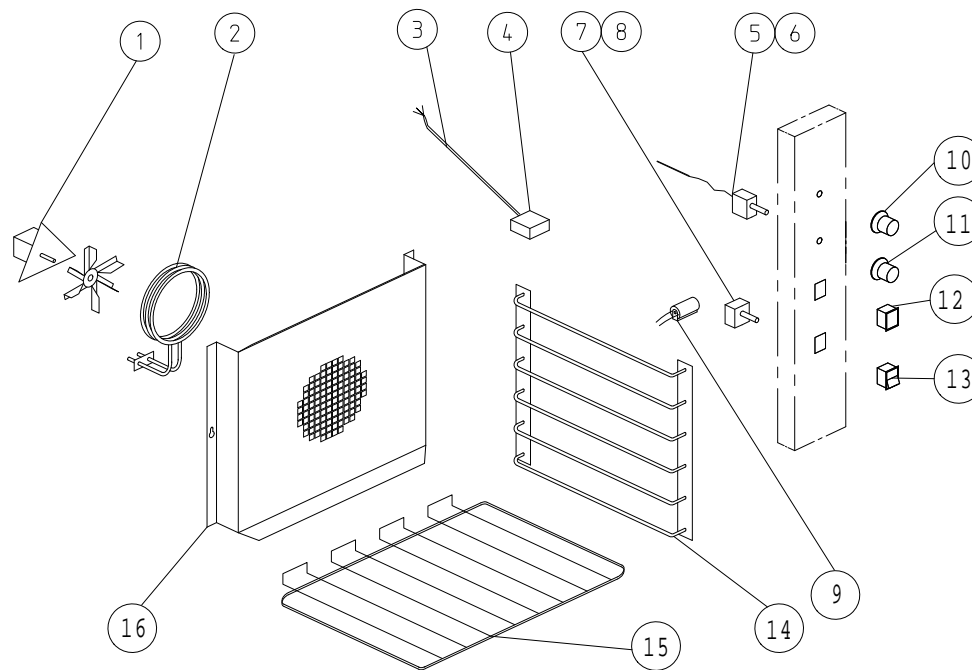
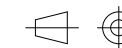


IF IN DOUBT ASK!!

DO NOT SCALE !!

First Angle Projection



Item	Spares No.	Description
1	732910130	Oven Fan
2	732910140	Oven Element
3	731910367	Mains Lead
4	731910390	Terminal Block
5	731910500	Operating Thermostat
6	731910660	Operating Thermostat C/W Knob
7	731910680	Timer
8	731910590	Timer C/W Knob
9	732910417	Buzzer
10	731910650	Thermostat Knob
11	731910600	Timer Knob
12	732910368	Amber Indicator
13	731910620	On/Off Switch
14	732910160	Shelf Hanger
15	732910369	Shelf
16	732910150	Back Baffle

All Dimensions in millimetres, Tolerance- Linear  $\pm 0.5\text{mm}$  Angular  $\pm 0.5^\circ$  (or as stated)

A	5089	PRODUCTION ISSUE		DJT	04/02/04
Issue	Mod No.	Alteration	Zone	Drawn by	Date



Drawn	DAN THORNTON	Product	E7202RS1, 2 & 3 OVENS	
Date	04/02/04	Title	SPARES DIAGRAM - CONTROLS	
Scale				
Matl.		Drawing Number	AB42292	Issue
No. off		Finish		A
Bin No.		Kraus No.	T100293	

No reproduction or publication of this drawing may be made and no article may be manufactured or assembled in accordance with this drawing without prior written consent. This prohibition is a condition of any contract relating to this drawing. Rights reserved under the Copyright Act 1956 as amended by the Design Copyright Act 1988.

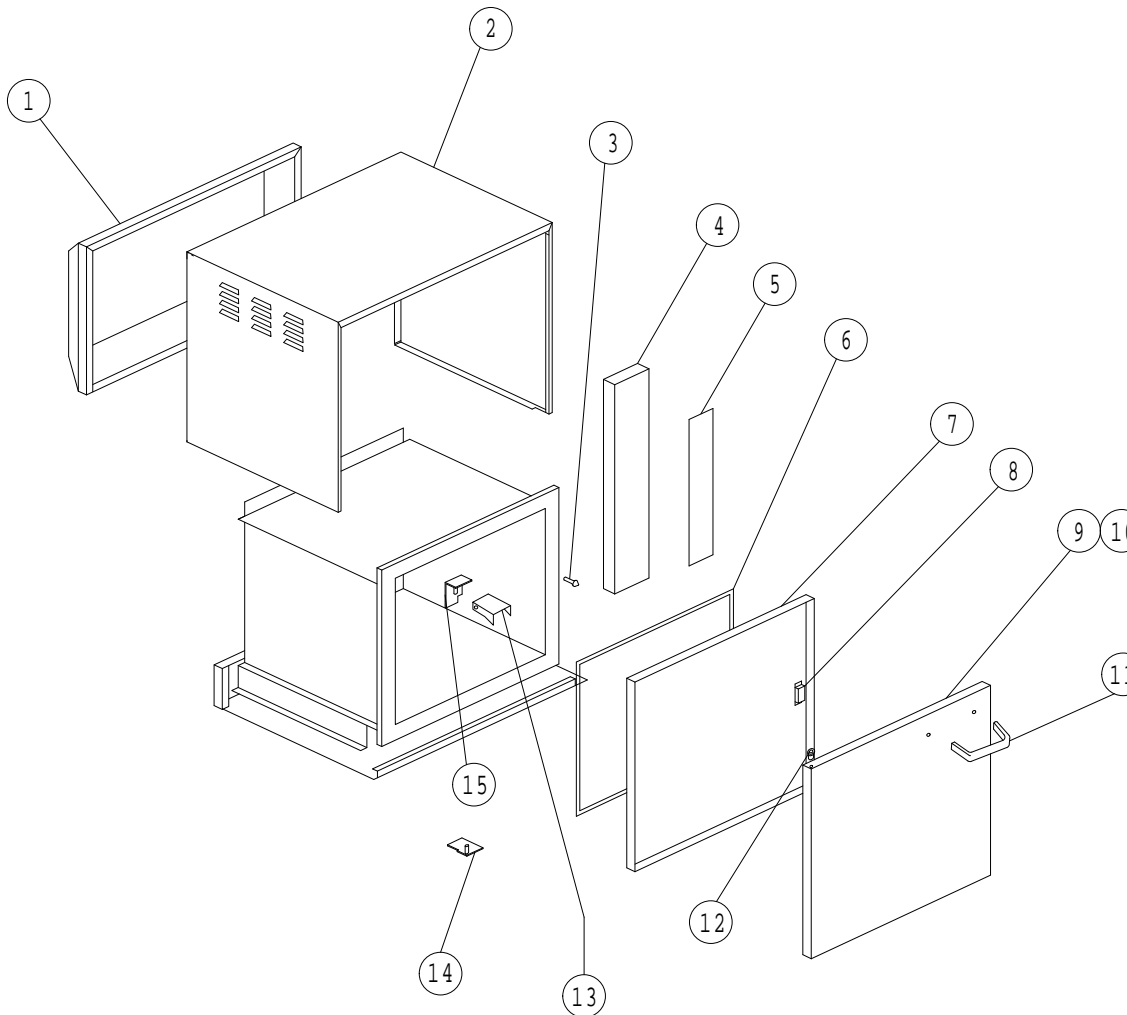
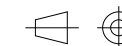
This part is common to the following units

**UNCONTROLLED 09/08/05**

IF IN DOUBT ASK!!

DO NOT SCALE !!

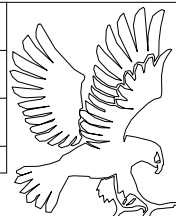
First Angle Projection



Item	Spares No.	Description
1	732910500	Outer Back Panel
2	732910501	Outer Cover
3	731910670	Door Keeper Stud
4	732910508	Control Panel Assy
5	732910509	Control Panel Decal
6	732910000	Door Seal
7	732910503	Inner Door Panel
8	731910370	Door Catch
9	732910512	Outer Door Panel
10	732910513	Oven Door Assembly
11	732910514	Door Handle
12	732910040	Hinge Bush
13	732910366	Door Retainer Bracket C/W Label
14	732910511	Bottom Door Hinge
15	732910365	Top Door Hinge

All Dimensions in millimetres, Tolerance- Linear ±0.5mm Angular ±0.5° (or as stated)

A	5089	PRODUCTION ISSUE		DJT	03/02/04
Issue	Mod No.	Alteration	Zone	Drawn by	Date



Drawn	DAN THORNTON	Product	E7202RS3 CONVECTION OVEN	
Date	04/02/04	Title	SPARES FITMENTS	
Scale				
Matl.		Drawing Number	AA42292A	Issue
No. off		Finish		A
Bin No.		Kraus No.	T100293	

No reproduction or publication of this drawing may be made and no article may be manufactured or assembled in accordance with this drawing without prior written consent. This prohibition is a condition of any contract relating to this drawing. Rights reserved under the Copyright Act 1956 as amended by the Design Copyright Act 1988.

This part is common to the following units

**UNCONTROLLED 09/08/05**

Falcon Foodservice Equipment. Wallace View Hillfoots Road Stirling Scotland