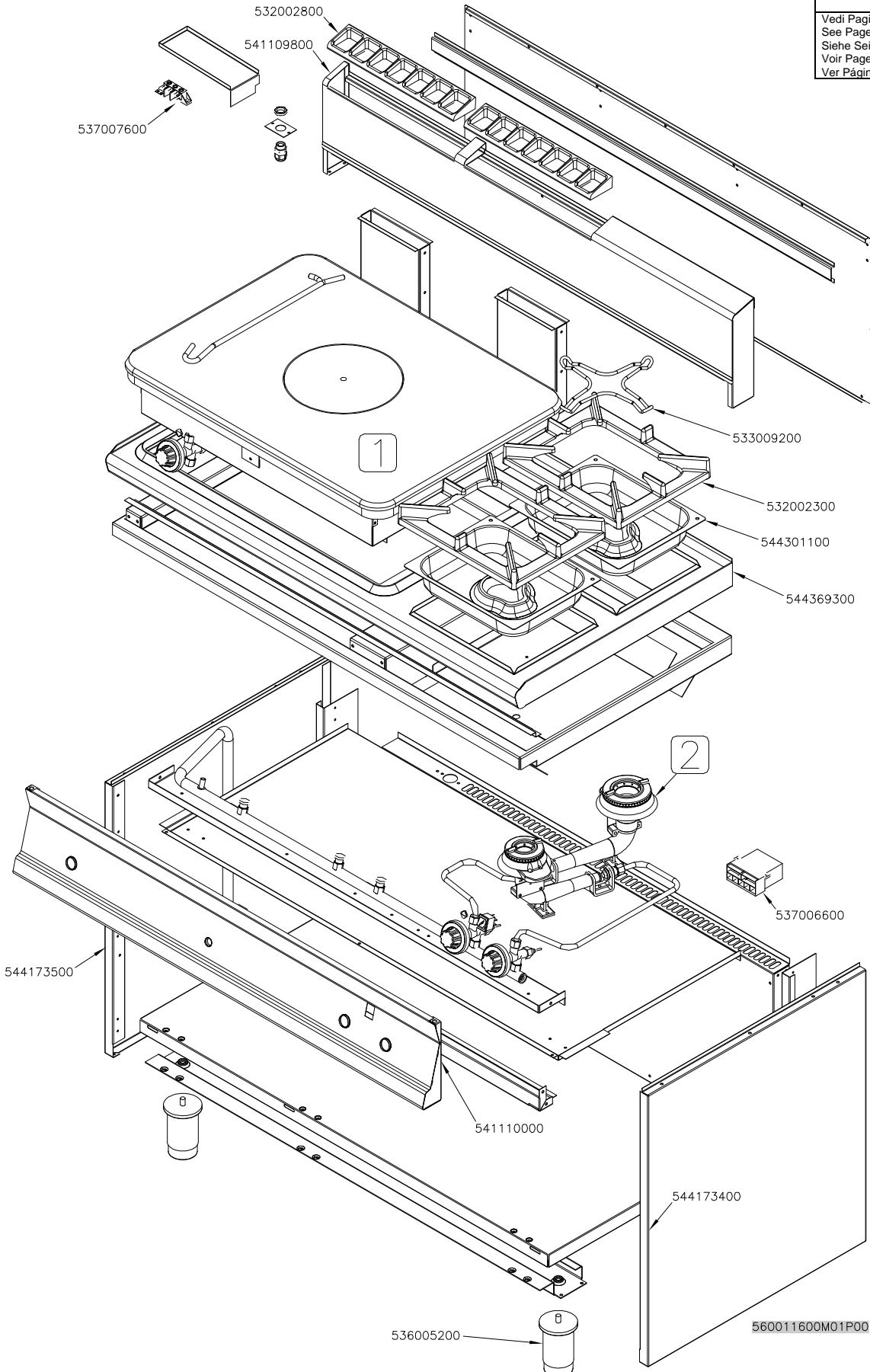


SUPERLOTUS 70₂0601

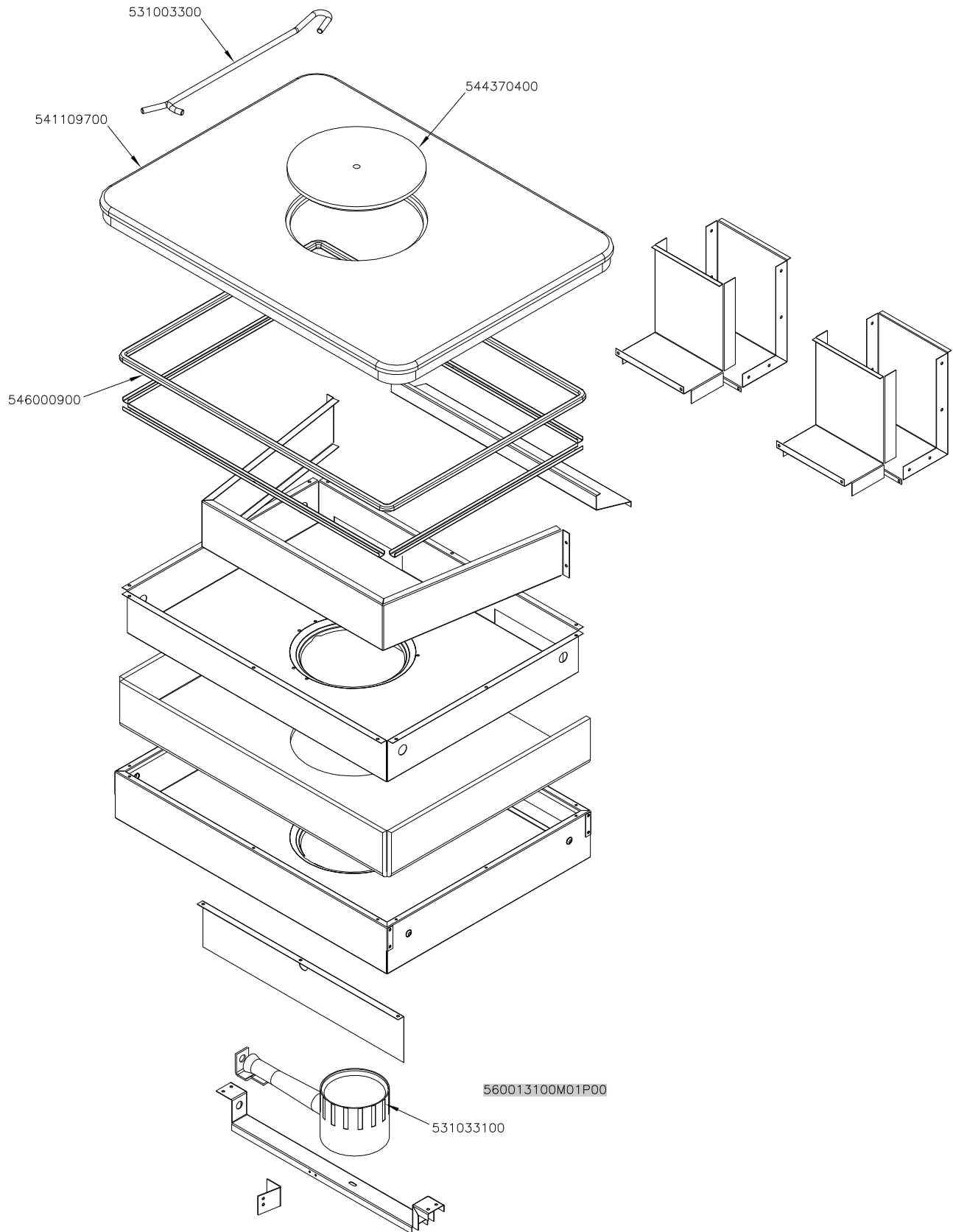
GAS / GAS / GAS / GAZ

TP2-712G

	1	2
Vedi Pagina See Page Siehe Seite Voir Page Ver Pagina	96	93

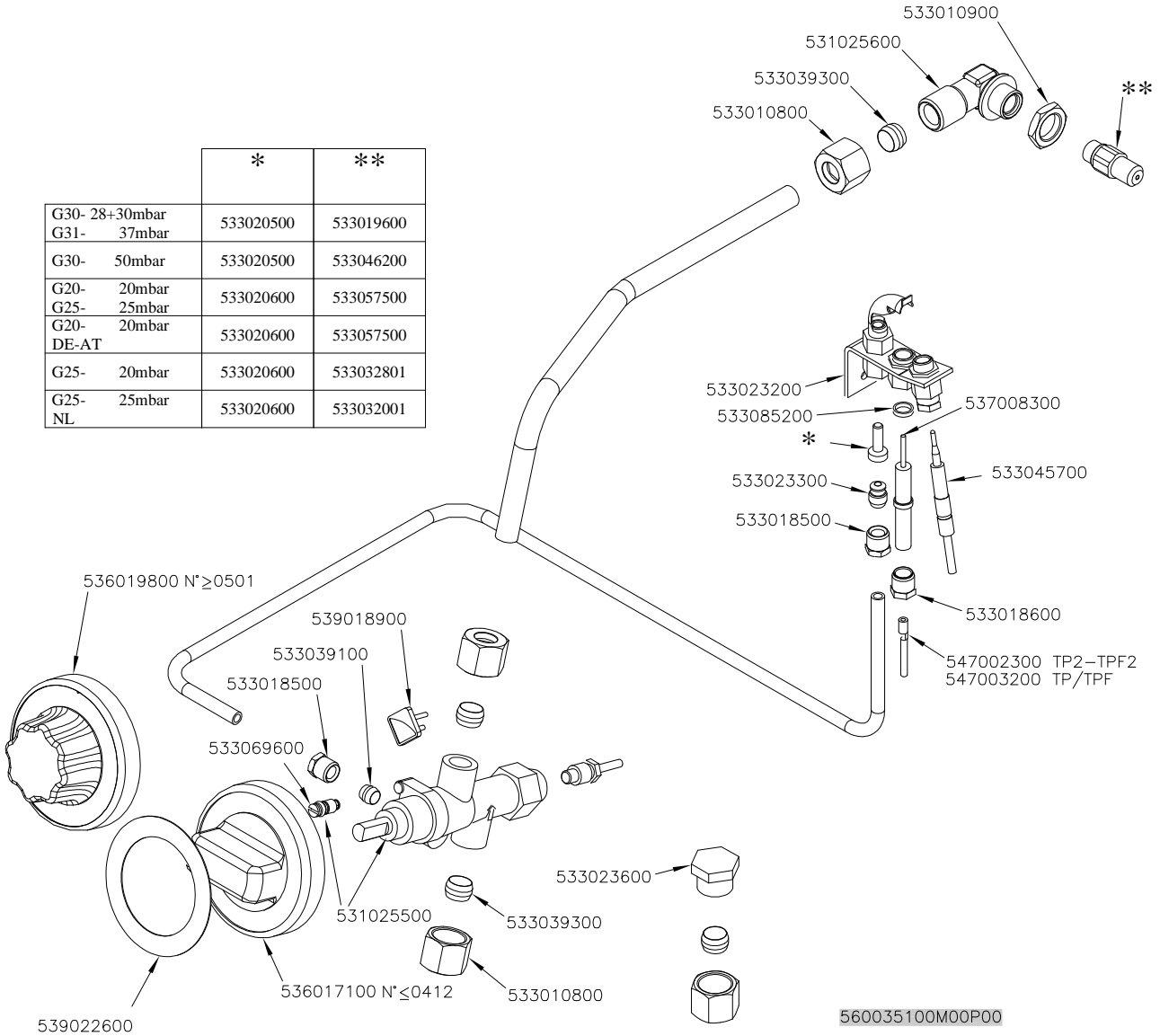


TP

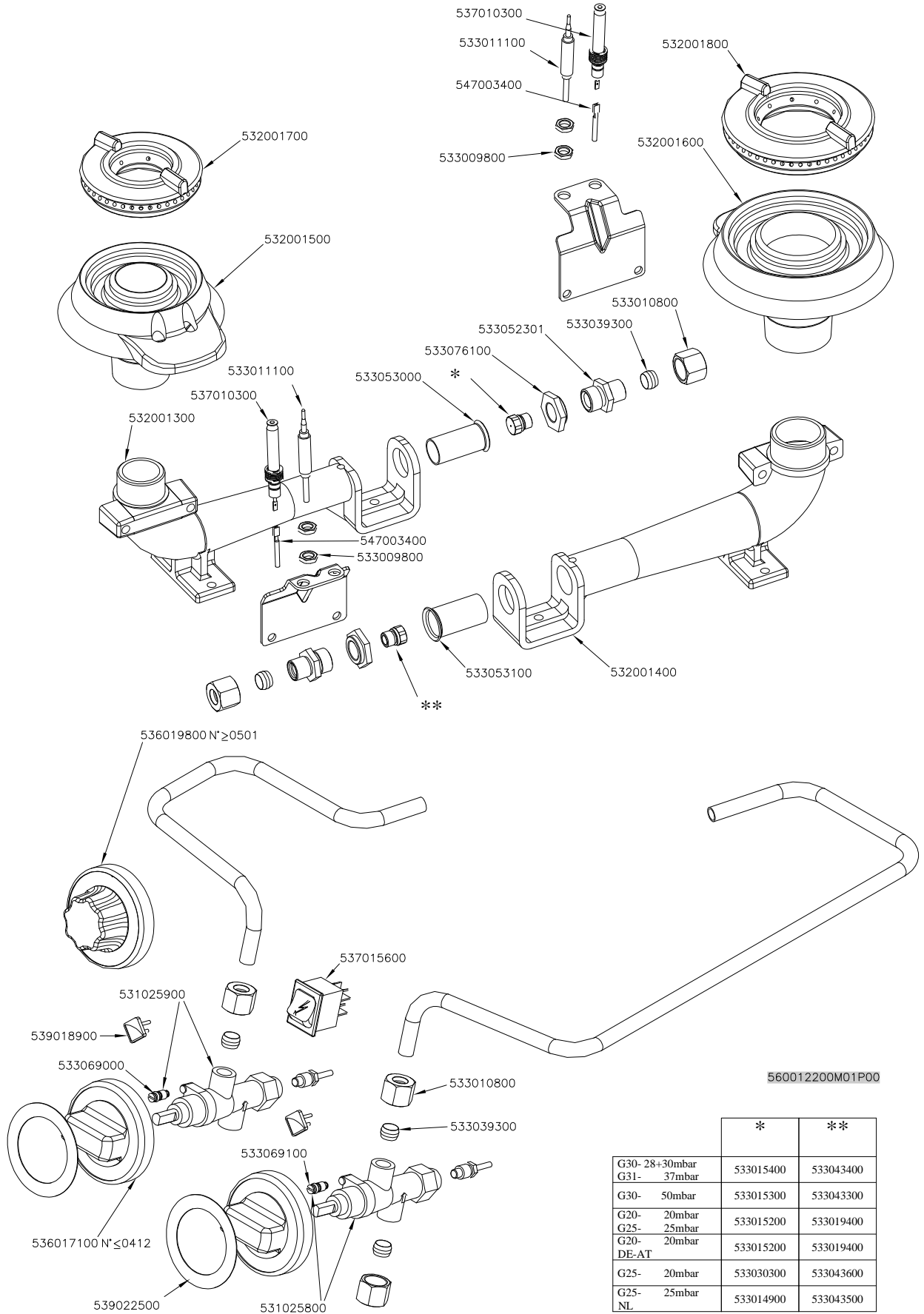


TP

	*	**
G30- 28+30mbar G31- 37mbar	533020500	533019600
G30- 50mbar	533020500	533046200
G20- 20mbar G25- 25mbar	533020600	533057500
G20- 20mbar DE-AT	533020600	533057500
G25- 20mbar	533020600	533032801
G25- 25mbar NL	533020600	533032001



PC-G



Page	Pos	Code	Description
001		532002800	GRID FOR PIPE L=370 S.70
001		541109800	PERFORATED SPACER 712
001		537007600	TERMINAL BLOCK SINGLEPHASE 40A
001		533009200	REDUCTION FOR 65 AND 70 LINE
001		532002300	1 FLAME GRILL 346X274 (70)
001		544301100	ENAMELLED BURNER DRIP PAN 1/2
001		544369300	UPPER PLATE TP2-712G
001		537006600	IGNITION UNIT 4 FLAMES V230
001		544173500	LEFT SIDE PANEL S.70
001		541110000	CONTROL PANEL TP-712G
001		544173400	RIGHT SIDE PANEL S.70
001		536005200	INOX LEG 2" 120-180 M10
002		531003300	TP-PLATE LIFTING HOOK
002		544370400	RING PLATE TP S.70
002		541109700	PLATE TP-78G
002		546000900	SQUARE BRAID OF INSULATING MATERIAL
002		531033100	BURNER TP.-78G
003		533010900	NUT M14*1 H.4
003		531025600	ELBOW 90° NOZZLE-HOLDER §10 PIPE
003		533039300	BICONE §10
003		533010800	TUBE NUT D.10 M16*1,5
003		533023200	"TARGET" PILOT + NIPPLE TC BRAC.90°
003		533085200	
003		533023300	BICONE §6 ("TARGET" PILOT)
003		533018500	FITTING FOR BICONE D.6 M10*1
003		537008300	ROUND PLUG §2,4- LONG ELECTRODE
003		533045700	THERMOCOUPLE M9*1 500
003		533018600	PLUG FITTING
003		547002300	HIGH-VOLTAGE CABLE §2 L=1900
003		536019800	BLACK KNOB §70 PIN §8*6,5
003		539018900	INDEX FOR KNOB
003		533039100	BICONE §6
003		533069600	BY PASS COCK §130 20S-21S
003		533023600	TAP PLUG §10 M16*1, 5CH19
003		531025500	GAS COCK 21S P.V.BY-PASS Ø130
003		536017100	BLACK KNOB §70 PIN §8*6,5
003		539022600	GRADUATED STICKER FOR KNOB
003		533020500	NOZZLE 0.140 §19
003		533019600	NOZZLE §165 CH12*30 MH-FT5 H-FT6
003		533046200	NOZZLE §150 CH12X30 L-BR TP
003		533020600	NOZZLE 0.140 §27
003		533057500	NOZZLE §260 CH12X30
003		533032801	NOZZLE §280 CH12*30 M-CPM
003		533032001	NOZZLE §270 CH12*30 MH-CPM
004		537010300	PLUG IGNITION WITH SPRING PC65
004		533011100	THERMOCOUPLE 600 M8*1
004		547003400	HIGH-VOLTAGE CABLE L=900
004		533009800	BRASS NUT M8*1
004		532001800	QUICKBURNER §102
004		532001600	BURNER BODY 5,5 KW
004		532001700	QUICKBURNER §82

Page	Pos	Code	Description
004		532001500	BURNER BODY 3,5 KW
004		533010800	TUBE NUT D.10 M16*1,5
004		533039300	BICONE §10
004		533052301	JOINT FOR NOZZLE HOLDER
004		533076100	HEXAGONAL NUT M14X1 H4 + BUSHING
004		533053000	AIR ADJUSTMENT BUSHING §18
004		532001300	BURNER VENTURI 3,5 KW
004		533053100	AIR ADJUSTMENT BUSHING §20
004		532001400	BURNER VENTURI 5,5 KW
004		536019800	BLACK KNOB §70 PIN §8*6,5
004		531025900	SAFETY TAP 20S-B PEL20S21070
004		539018900	INDEX FOR KNOB
004		533069000	BY PASS COCK §70 20S-21S
004		536017100	BLACK KNOB §70 PIN §8*6,5
004		539022500	ADHESIVE GRADUATED DISC FOR KNOB
004		537015600	BIPOLAR SWITCH
004		533069100	BY PASS COCK §60 20S
004		531025800	SAFETY TAP 20S-B PEL20S2160
004		533015400	NOZZLE §93 CH12*14 G-PC4 R
004		533043400	NOZZLE §117 CH12*14 G-PC4 UR
004		533015300	NOZZLE §82 CH12*14 F-PC4 R
004		533043300	NOZZLE §103 CH12*14 F-PC4 UR
004		533015200	NOZZLE §145 CH12*14 F-FP/CP6
004		533019400	NOZZLE §180 CH12*14 L-FQ5
004		533030300	NOZZLE §160 CH12*14 M-FPG
004		533043600	NOZZLE §200 CH12*14 L-PC4 UR
004		533014900	NOZZLE §150 CH12*14 F-FQ5 L-FQ6
004		533043500	NOZZLE §190 CH12*14 G25 PC4R