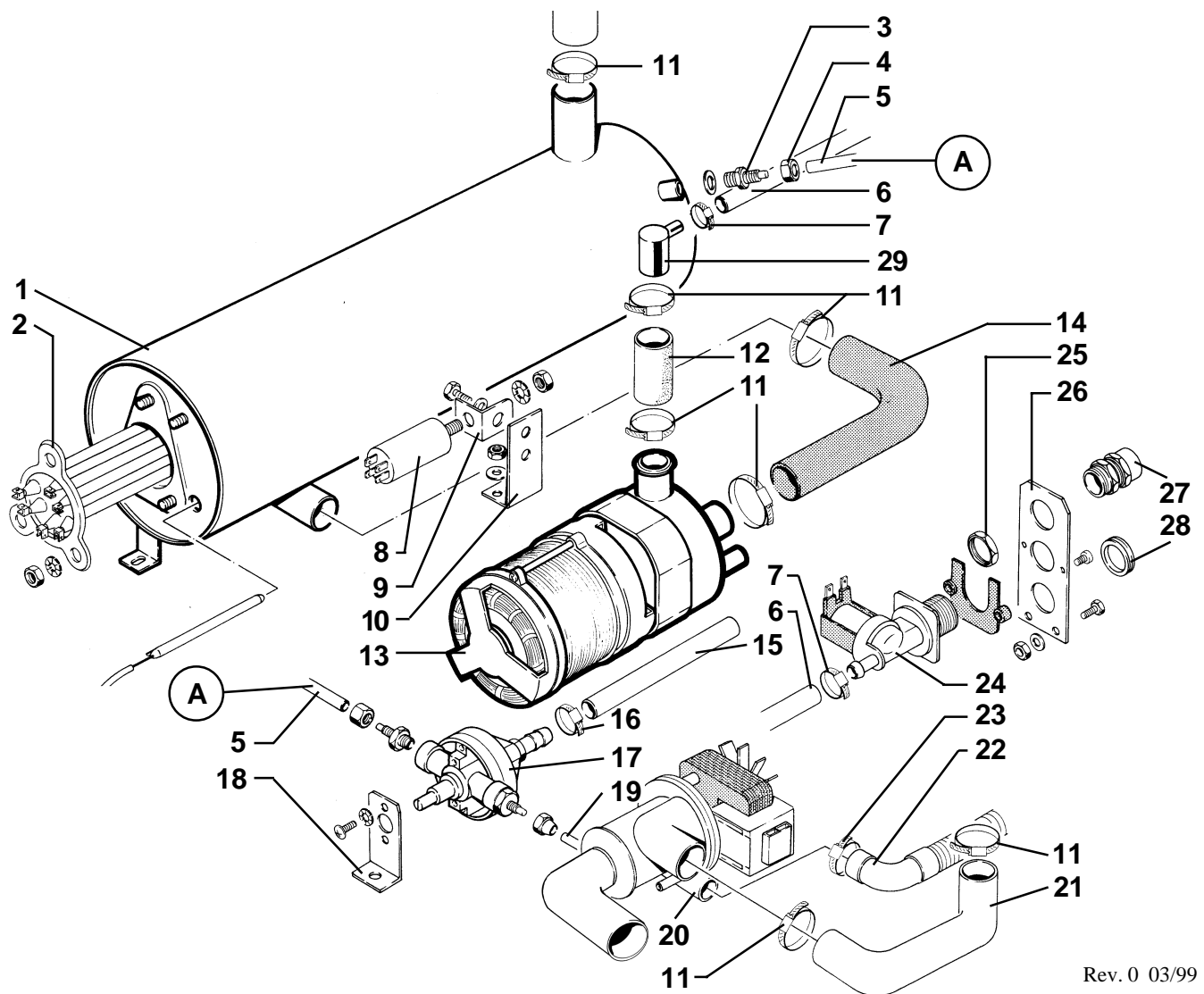


Rev.0 03/99

Pos	COD.	DESCRIZIONE	DENOMINATION	DESCRIPTION	BEZEICHNUNG
1	902333	FILTRO SUPERFICIE	FILTRE	FILTER	FILTER
2	902850	GHIERA PER FILTRO	VIROLE	LOCK NUT	NUT MUTTER
3	905355	FILTRO VASCA	FILTRE	FILTER	FILTER
4	905390	RACCORDO ASPIRAZ. 1" ¼	RACCORD D'ASPIRATION	INTAKE PIPE FITTING	ANSAUGANSCHLUSSE
5	900009	COPERCHIO RACC. ASP.	COUVERCLE	COVER	DECKEL
6	905440	RACCORDO SCARICO 1"	RACCORD DECHARGE	PIPE FITTING FOR OUTLET	ABLAUFANSCHLUSS
7	905273	TRAPPOLA ARIA	RESERVOIR AIR	AIR TRAP	LUFTFALLE
8	903260	GUARNIZIONE	JOINT	GASKET	DICHTUNG
9	901743	CONDENSATORE 16 µF	CONDENSEUR	CONDENSER	KONDENSATEUR
10	903584	SQUADRETTA CONDENSAT.	PALIER CONDENSEUR	BEARING CONDENSER	TRÄGE KONDENSATEUR
11	903320	GUARNIZIONE	JOINT	GASKET	DICHTUNG
12	902090	GHIERA 1" ¼	VIROLE	LOCK NUT	NUT MUTTER
13	904350	O-RING	O-RING	O-RING	O-RING
14	902070	GHIERA 1"	VIROLE	LOCK NUT	NUT MUTTER
15	902460	FASCETTA 26÷38	COLLIER	CLAMP	SHELLE
16	907439	TUBO SCARICO	TUYAU DE DECHARGE	OUTLET PIPE	ABLAUFLAUCH
17	905745	RESISTENZA 2500W	RESISTANCE	HEATING ELEMENT	HEIZKÖRPER
18	905191	PORTABULBO	SIEGE DE BULBE	SEATING BULBE	KUGELSITZ
19	903250	GUARNIZIONE	JOINT	GASKET	DICHTUNG
20	902061	GHIERA ½"	VIROLE	LOCK NUT	NUT MUTTER
21	902340	POMPA DOSATRICE	POMPE DOSEUSE	PERISTALTIC PUMP	DOSIER PUMP
22	902355	RACC. POMPA DOSATRICE	RACCORD POMPE DOS.	PERIST. PUMP PIPE FITT.	ANSCHLUSS
23	907110	TERMOSTATO 0°-90°	THERMOSTAT	THERMOSTAT	THERMOSTAT
24	907120	TERMOSTATO 0°-55°	THERMOSTAT	THERMOSTAT	THERMOSTAT
25	907125	TERMOSTATO SICUREZZA	THERMOSTAT	THERMOSTAT	THERMOSTAT
26	906374	SQUADRETTA	PALIER THERMOSTAT	BEARING THERMOSTAT	TRÄGER THERMOSTAT
27	903982	MANOPOLA	BOUTON	KNOB	KNOPF



Rev. 0 03/99

Pos	COD.	DESCRIZIONE	DENOMINATION	DESCRIPTION	BEZEICHNUNG
1	900363	BOILER	CHAUFFE EAU	BOILER	HEISSWASSERSPEICHER
2	905560	RESISTENZA 4500W	RESISTANCE	HEATING ELEMENT	HEIZKÖRPER
3	906426	RACCORDO DOSATORE	RACCORD DOSEUR	PIPE FITT. DOSING DEVICE	ANSCHLUSSE
4	906425	DADO 1/8" GAS	ECROU	NUT	MUTTER
5	907260	TUBO NYLON 6x4	TUYAU EN NYLON	NYLON HOSE	NYLONROHR
6	907295	TUBO GOMMA 12x19,5	TUYAU EN CAOUTCHOUC	RUBBER HOSE	GUMMISCHLAUCH
7	902440	FASCETTA 13÷20	COLLIER	CLAMP	SHELLE
8	901744	CONDENSATORE 6,3 µF	CONDENSEUR	CONDENSER	KONDENSATEUR
9	903584	SQUADRETTA CONDENS.	PALIER CONDENSEUR	BEARING CONDENSER	TRÄGE KONDENSATEUR
10	TR0374	SUPPORTO POMPA RISC.	PALIER POMPE DE RINÇ.	BEARING RINSE PUMP	TRÄGE PUMPE
11	902460	FASCETTA 26÷38	COLLIER	CLAMP	SHELLE
12	903714	MANIC. MAND. POMPA RISC.	MANCHON DE REFOULEM.	OUTLET ELBOW	ANSAUGMUFFE
13	902235	POMPA RISC. 0,20 Hp.	POMPE DE RINÇAGE	RINSE PUMP	PUMPE
14	903713	MANIC. ASP. POMPA RISC.	MANCHON D'ASPIRATION	INLET ELBOW	AUSLASSMUFFE
15	907360	TUBO GOMMA 10x17	TUYAU DE CAOUTCHOUC	RUBBER HOSE	GUMMISCHLAUCH
16	902439	FASCETTA 11÷17	COLLIER	CLAMP	SHELLE
17	901999	DOSATORE	DOSEUR	DOSING DEVICE	DOSIERZATZ
18	906375	SUPPORTO DOSATORE	PALIER DOSEUR	DOSING DEVICE BEARING	DOSIERZATZ TRÄGER
19	907270	TUBO 4x7	TUYAU	PIPE	ROHR
20	902348	POMPA DI SCARICO	POMPE DE DECHARGE	PUMP FOR OUTLET	PUMPE
21	903851	MANICOTTO SCARICO	MANCHON DE DECHARGE	DRAINING OUTLET	AUSLASSMUFFE
22	907439	TUBO DI SCARICO	TUYAU DE DECHARGE	PIPE FITTING FOR OUTLET	ABLAUFANSCHLUSS
23	902454	FASCETTA 19÷28	COLLIER	CLAMP	SHELLE
24	902390	ELETTROVALVOLA	ELECTROVANNE	ELECTRO-VALVE	ELEKTROVENTIL
25	902682	GHIERA PG 16	VIROLE	LOCK NUT	NUT MUTTER
26	904003	SQUADRETTA	PALIER	BEARING	TRÄGER
27	902689	PRESSACAVO PG 16	FIXAGE DU CABLE D'ALIM.	FIXING CABLE	KABELBEFESTIGER
28	904721	PASSACAVO	CHAUMARD	FAIR LEAD	KABELDURCHGANG
29	901652	RACCORDO	RACCORD	PIPE FITTING	ANSCHLUSSE

