



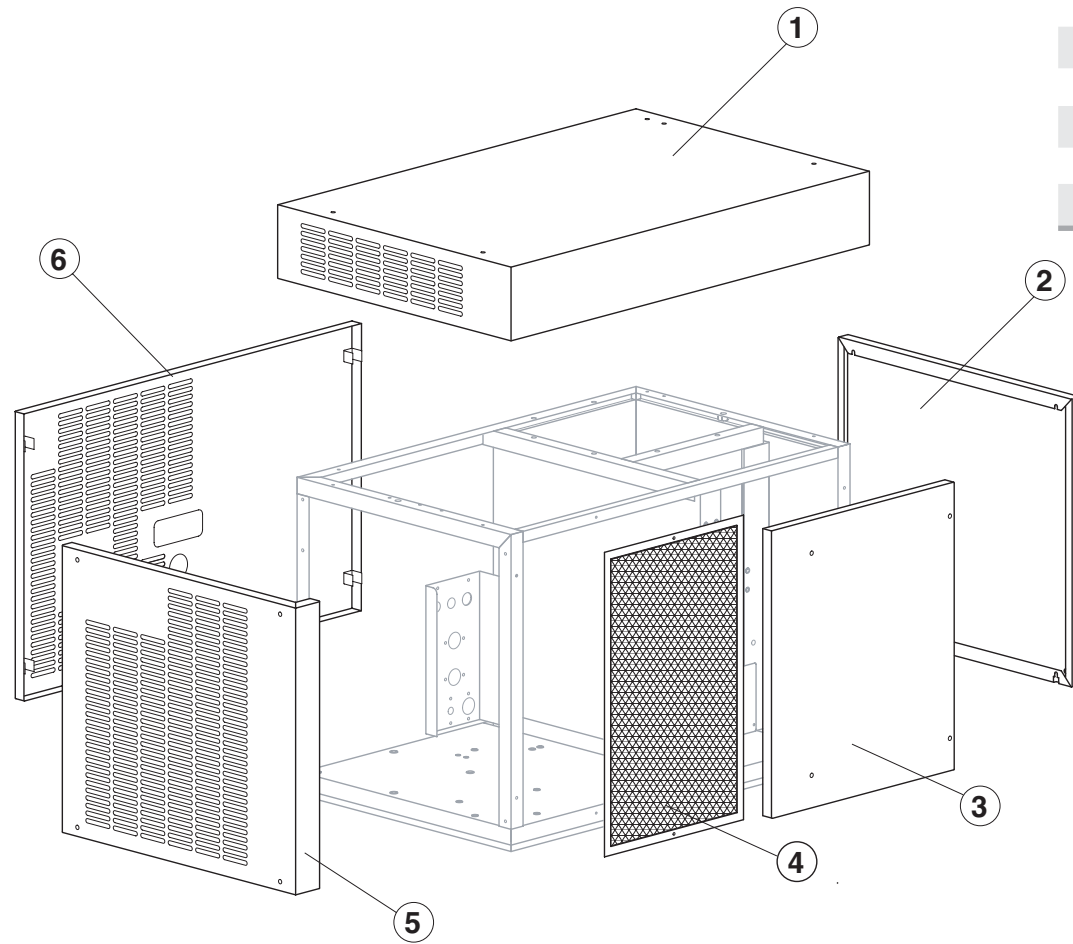
SHELL ASSY

COOLING SYSTEM

EVAPORATOR

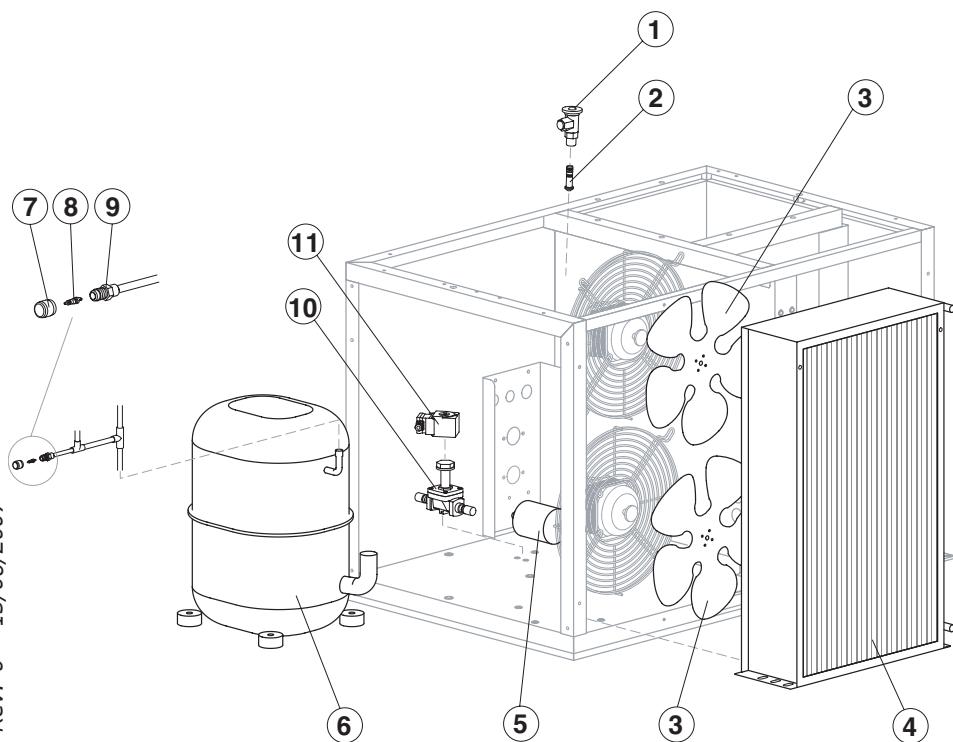
PUMP

ELECTRIC PARTS

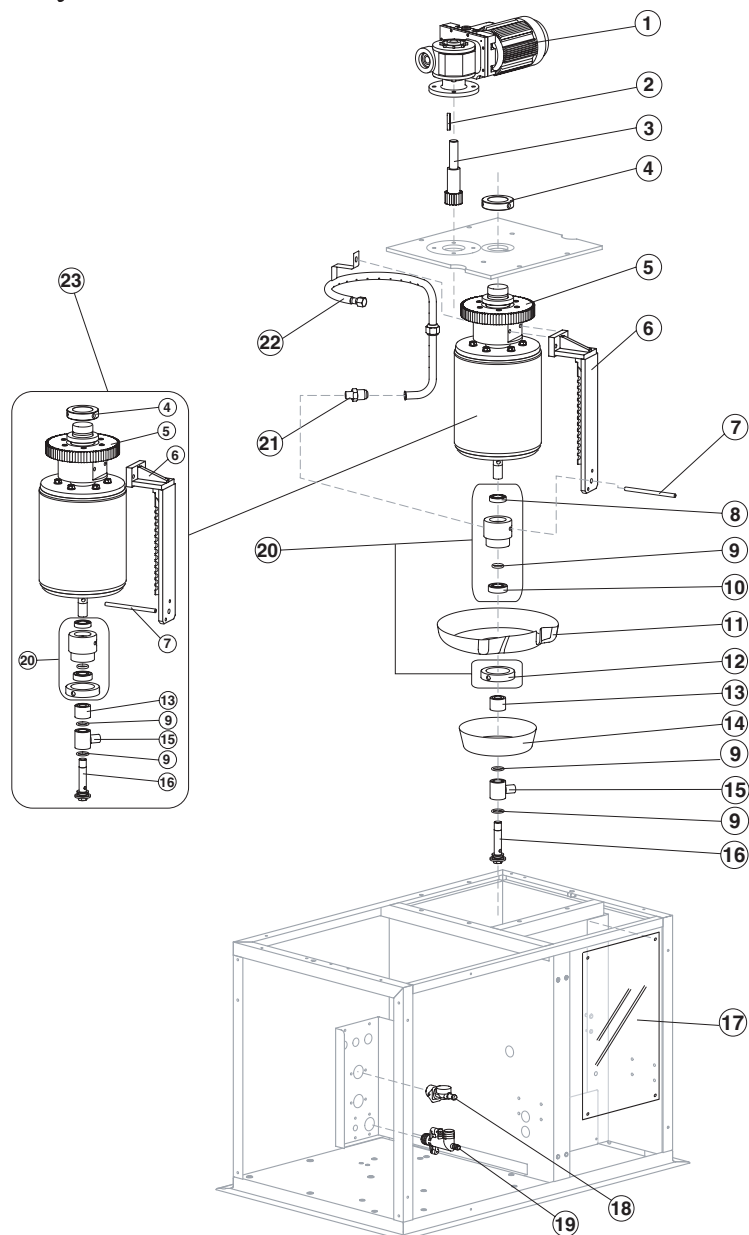


Ref.	Spare Description	Code
1	Top Assembly	C22422
2	Right Side Panel	22425
3	Front Panel Assy (Evaporator Side)	C221031B
4	Filter	18200
5	Left Side PAnel	221032
6	Rear Panel	22427

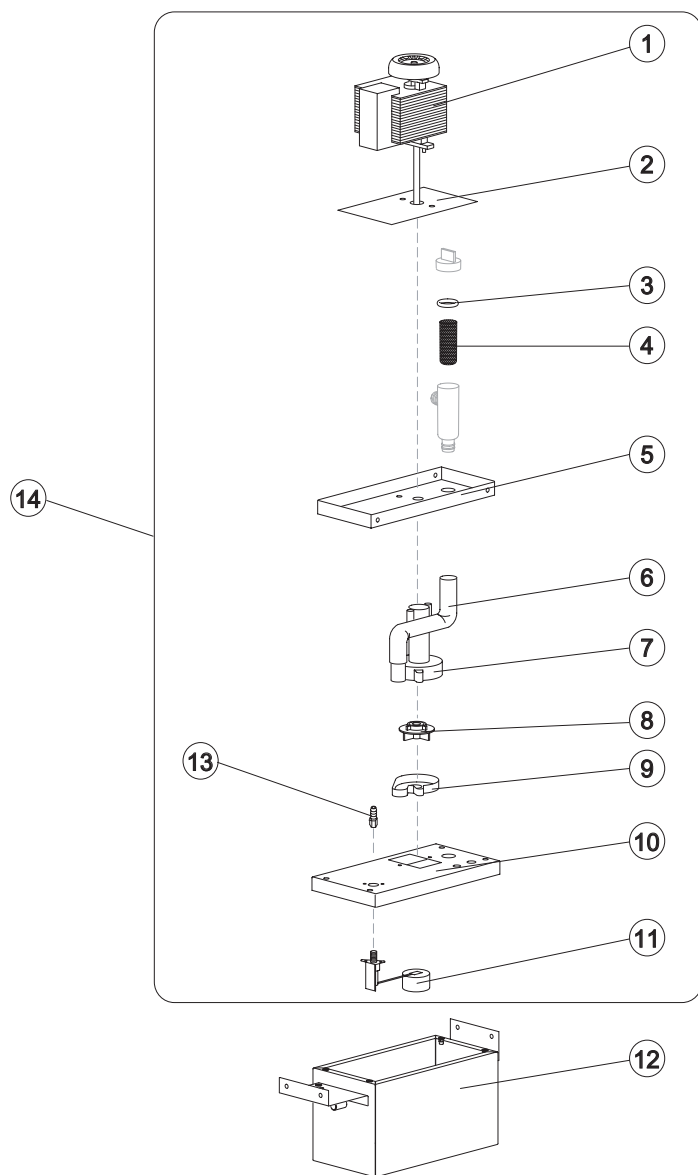
Rev. 0 - 15/06/2007



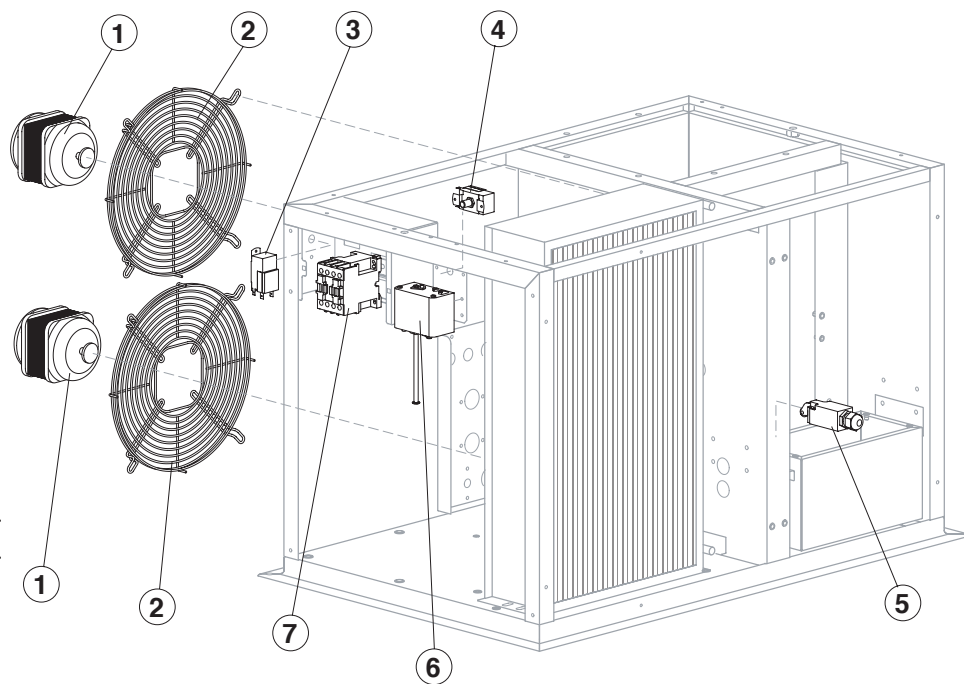
Ref.	Spare Description	Code
1	Expansion Valve	20734
2	Orifice	20797
3	Sucking Fan	20153
4	Air Condenser	20406
5	Solid Core Drier	14084
6	Compressor	23583
7	Vacuum-Charge Valve Plug	14006
8	Vacuum-Charge Valve Device	14005
9	Vacuum-Charge Valve Body	14006
10	Hot Gas Valve Body	20409
11	Hot Gas Valve Coil	23091



Ref.	Spare Description	Code
1	Gearmotor Assy	C23862
2	Key 6x6x40	20350
3	Pinion with Shaft for Gearmotor	C20344
4	Cylinder Locking Ring Nut	20324
5	Ring Gear	20354
6	Scraper	20866
7	Tie Rod (to Block Scraper)	20865
8	Stainless Steel Bearing	20531
9	Silicone OR 4081 Gasket	20338
10	Stainless Steel Bearing	20045
11	Rotating Basin	10184
12	Ring Nut for Rotating Ring	10182
13	Spacer	10519
14	Fixed Basin	C10185
15	Water Inlet Ring	20851
16	Screw	20849
17	Evaporator Chamber Shield	10522
18	1 Way- Water Inlet Nipple	10239
19	Discharges Manifold	C10384
20	Complete Rotating Ring	C10180
21	Joint	20335
22	Sprayer Ring	C20867
23	Evaporator	C20859



Ref.	Spare Description	Code
1	Pump Motor	23073
2	Heat Dissipator	22430
3	Pump Filter Gasket	13080
4	Filtering Element	20254
5	Pump Motor Support	10161
6	Pump-Filter Connection Pipe	13084
7	Pump Body	10065
8	Pump Impeller	10190
9	Diffusor	10067
10	Water Pump Basin Cover	22420
11	Floating Valve	10188
12	Water Pump Basin	C22419
13	Connection	20799
14	Pump and Filter Assy	C26736



Ref.	Spare Description	Code
1	Fan Motor	23121
2	Fan Motor Grid	12054
3	Bin Thermostat	R23421
4	Safety Pressure Switch (Maximum Pressure)	23342
5	Microswitch for Overflow Ice	23746
6	Pressure Switch (Minimum Pressure)	23763
7	Contactor	23147

Rev. 0 - 15/06/2007