

ITEM	DESCRIPTION	SPARES No.
1	OUTER TOP PANEL	730870002
2	OUTER REAR PANEL	730870003
3	WIRE OVEN SHELF RACK - LH OR RH	530843021
4	PERFORATED OVEN SHELF	520840015
5	ADJUSTABLE FLOOR MOUNTING FOOT	730870004
6	OUTER SIDE PANEL - LH OR RH	730870005
7	DOOR PIN LATCH MOUNTING PLATE	730870006
8	DOOR PIN - SINGLE ACTION LOCK	730870007
9	DOOR PIN - DOUBLE ACTION LOCK	720870000
10	DOOR SEAL PUSH FIT	730870008
11	OVEN TOP SUPPORT & HINGE PIN	730870009
12	OVEN DOOR ASSEMBLY	730870010
13	OVEN DOOR HANDLE	730870011
14	OVEN DOOR - BOTTOM HINGE	730870012
15	BOTTOM DOOR - TOP HINGE	730870013
16	BOTTOM DOOR RECESSED DOOR HANDEL	730870014
17	BOTTOM DOOR - BOTTOM HINGE	730870015
18	BOTTOM DOOR ASSEMBLY	730870016
19	BOTTOM DOOR STOPS X2	730870017
20	BOTTOM DOOR MAGNET	730870018
21	DOOR DRIP TRAY	730870019
22	CISTERN BALL VALVE	530843055
23	CISTERN BALL FLOAT	530843040
24	WATER DOUBLE CHECK VALVE	730870020
25	DRAIN TROUGH VALVE	730843090
25	CHAMBER & CISTERN DRAIN VALVE	530843010

PRODUCTION ISSUE

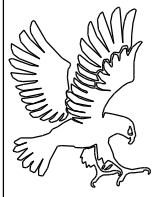
ISSUE	MOD No	ALTERATION	DRAWN BY	DATE
1	243	PRE-PRODUCTION ISSUE	S. BROWN	03/11/11
A	1322	PRODUCTION ISSUE	S. BROWN	08/12/11

IF IN DOUBT ASK
DO NOT SCALE
FIRST ANGLE PROJECTION

UNLESS OTHERWISE SPECIFIED:
DIMENSIONS ARE IN MILLIMETERS
TOLERANCES:
LINEAR: ±0.5mm
ANGULAR: ±0.5 DEG

DEBUR AND
BREAK SHARP EDGES

WEIGHT: 104207.83g



DRAWN: **S. BROWN**

DATE: **03/11/11**

SCALE: **1:10**

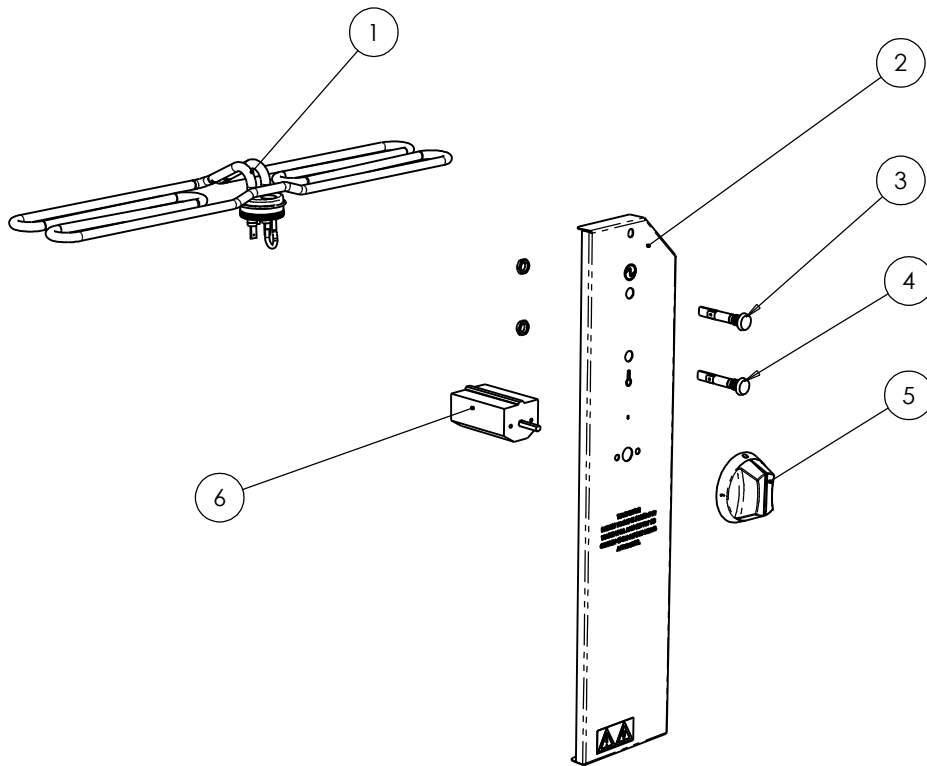
MATL:

THICKNESS:

BIN No:

PRODUCT	TITLE	DRAWING NUMBER	ISSUE
E+G 3478 STEAMING OVEN	SPARES - COMMON	AB49031	A

NO REPRODUCTION OR PUBLICATION OF THIS DRAWING MAY BE MADE AND NO ARTICLE MAY BE MANUFACTURED OR ASSEMBLED IN ACCORDANCE WITH THIS DRAWING WITHOUT PRIOR WRITTEN CONSENT. THIS PROHIBITION IS A TERM OF ANY CONTRACT RELATING TO THIS DRAWING. RIGHTS RESERVED UNDER THE COPYRIGHT ACT 1956 AS AMENDED BY THE DESIGN COPYRIGHT ACT 1968



ITEM	DESCRIPTION	SPARES No.
1	ELEMENT (STANDARD)	730840010
	ELEMENT (220V) FOR 380V 3N~	730860070
	ELEMENT (254V) FOR 440V 3N~	730860080
	ELEMENT (277V) FOR 480V 3N~	730860090
	ELEMENT (380V) FOR 380V 3~	730860100
	ELEMENT (415V) FOR 415V 3~	730860110
	ELEMENT (440V) FOR 440V 3~	730860120
2	ELEMENT (480V) FOR 480V 3~	730860130
2	CONTROL PANEL	730870000
3	MAINS INDICATOR RED C/W NUT	730860010
	NON STD VOLTAGE INDICATOR RESISTOR	734000025
4	HEAT INDICATOR AMBER C/W NUT	730860020
	NON STD VOLTAGE INDICATOR RESISTOR	734000025
5	CONTROL KNOB	730870001
6	3 POSITION SWITCH	730840040

PRODUCTION ISSUE

ISSUE	MOD No	ALTERATION	DRAWN BY	DATE
1	242	PRE-PRODUCTION ISSUE	S. BROWN	03/11/11
A	1322	PRODUCTION ISSUE	S. BROWN	08/12/11

IF IN DOUBT ASK
DO NOT SCALE
FIRST ANGLE PROJECTION

UNLESS OTHERWISE SPECIFIED:
DIMENSIONS ARE IN MILLIMETERS
TOLERANCES:
LINEAR: ±0.5mm
ANGULAR: ±0.5 DEG

DEBUR AND
BREAK SHARP EDGES

WEIGHT: 2878.32g



DRAWN: S. BROWN	PRODUCT E3478 STEAMING OVEN	
DATE: 03/11/11	TITLE SPARES - ELEC ONLY	
SCALE: 1:4	DRAWING NUMBER	ISSUE
MATL:	AB49156	A
THICKNESS:		
BIN No:	PART No:	

© NO REPRODUCTION OR PUBLICATION OF THIS DRAWING MAY BE MADE AND NO ARTICLE MAY BE MANUFACTURED OR ASSEMBLED IN ACCORDANCE WITH THIS DRAWING WITHOUT PRIOR WRITTEN CONSENT. THIS PROHIBITION IS A TERM OF ANY CONTRACT RELATING TO THIS DRAWING. RIGHTS RESERVED UNDER THE COPYRIGHT ACT 1956 AS AMENDED BY THE DESIGN COPYRIGHT ACT 1968