

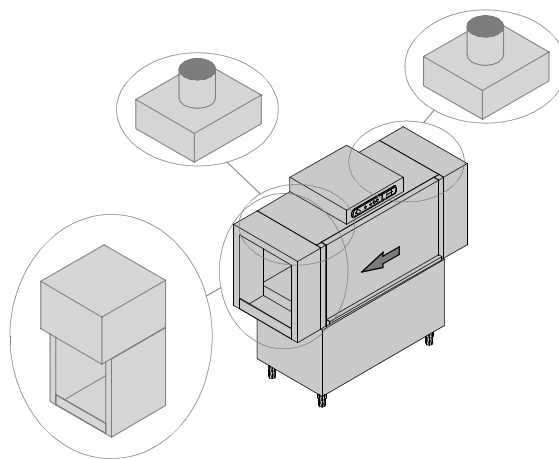
RACK CONVEYOR MACHINE

TYPE: 23

Accessories

STEAM CONDENSER - LC 91
CONVEYOR SPEED ADJUSTING- LC 101
90° MOTORIZED CHAIN CONVEYOR - LC 97/2
180° MOTORIZED CHAIN CONVEYOR - LC 97/3
DRYER WITH 90° MOTORIZED CHAIN CONVEYOR - LC 97/4
DRYER WITH 180° MOTORIZED CHAIN CONVEYOR - LC 97/5
DRYER - LC 90
DRYER - LC 90/2
ADDITIONAL BOILER FOR COLD WATER SUPPLY
DVGW VALVE SYSTEM
SPLASH ZONE WITH CILINDER - LC 94
TANKS INSULATION
DOUBLE SKIN
BOOSTER PUMP
DISPENSERS SYSTEM SDN-3
ANGLE LOADING TABLE - LC 98

Spare parts manual



1. Spare parts

Control Panel	9
Electric parts	11
General parts	13
Economizer components	15
Curtains group components	17
Inverter	19
Time relay	21
Dryer LC 90 - LC 90/2 (6 - 12kW) - part 1	23
Dryer LC 90 (6kW) - part 2	25
Dryer LC 90/2 (12kW) - part 2	27
Dryer LC 90 - LC 90/2 (6 - 12kW) - electric components	29
Motorized curve 90° - LC 97/2	31
Dryer motorized curve 90° - LC 97/4	33
Motorized curve 90° - LC 97/2: electric parts	35
Motorized curve 90° - LC 97/2: electric parts double speed - remote control	37
Motorized curve 180° - LC 97/3	39

Dryer motorized curve 180° - LC 97/5	41
Motorized curve 180° - LC 97/3: electric parts	43
Motorized curve 180° - LC 97/3: electric parts double speed - remote control	45
Steam condenser - part 1	47
Steam condenser - part 2	49
Steam condenser - part 3	51
Additional boiler component.....	53
Additional boiler: electrical components	55
DVGW valve	57
Motorgear components module 1300	59
Washing components 5+3	61
Washing components 6+3	63
Internal components washing module 1300	65
Rinsing components	67
Boiler components	69
Solenoid valves components: tank loading + rinsing	71
Solenoid valves components: tank loading + rinsing	73
Solenoid valves components: tank loading + rinsing + steam condenser	73
Conveyor parts	75

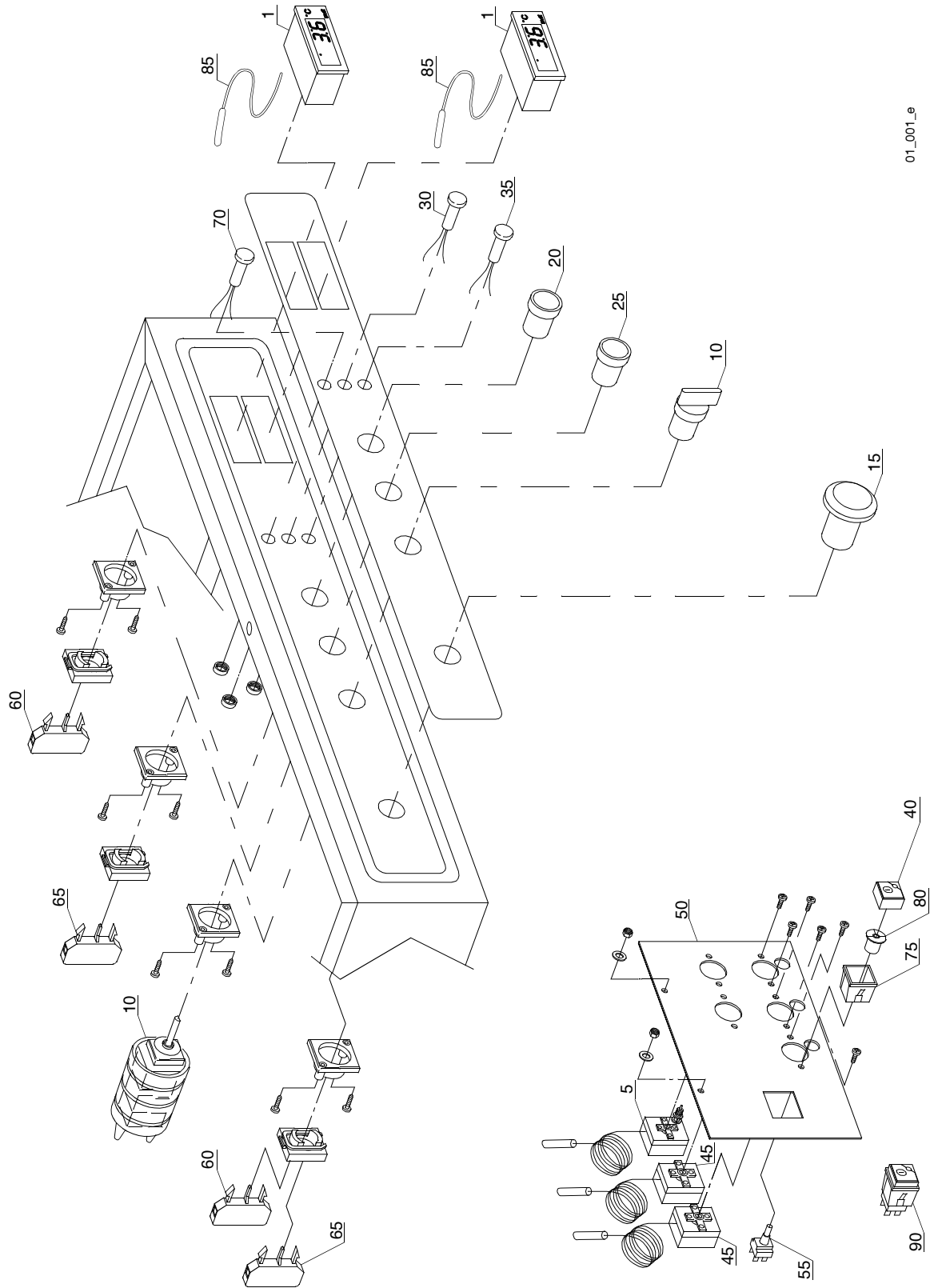
Splash zone with cilinder - LC94	77
Splash zone - L500	79
Tank insulation.....	81
Double skin.....	83
Booster pump	85
Dispensers SDN-3	87
Angle loading table 90° - LC 98	89
Baskets	91
Accessory	93

1.1 Voltage codes

Voltage code	Voltage
A	3/N/PE~400/230V 50Hz
B	~250V 16A 50Hz
C	3/N/PE~380/220V 50Hz
D	3/PE~200V 50-60Hz
F	2/PE 220-240V 50Hz
G	3/N/PE~415/240V 50Hz
H	3/PE~230V 50Hz
I	3/PE~220V 60Hz
J	3/PE~380 50Hz
K	3/PE~400V 50Hz
L	3/PE~415V 50Hz
M	3/PE~440V 60Hz
N	3/PE~460V 60Hz
O	3/PE~480V 60Hz
P	1/N/PE~220-240V 50Hz
R	2/PE~220-230V 60Hz
S	3/N/PE~400/230V 50Hz
T	3/PE~230V 60Hz

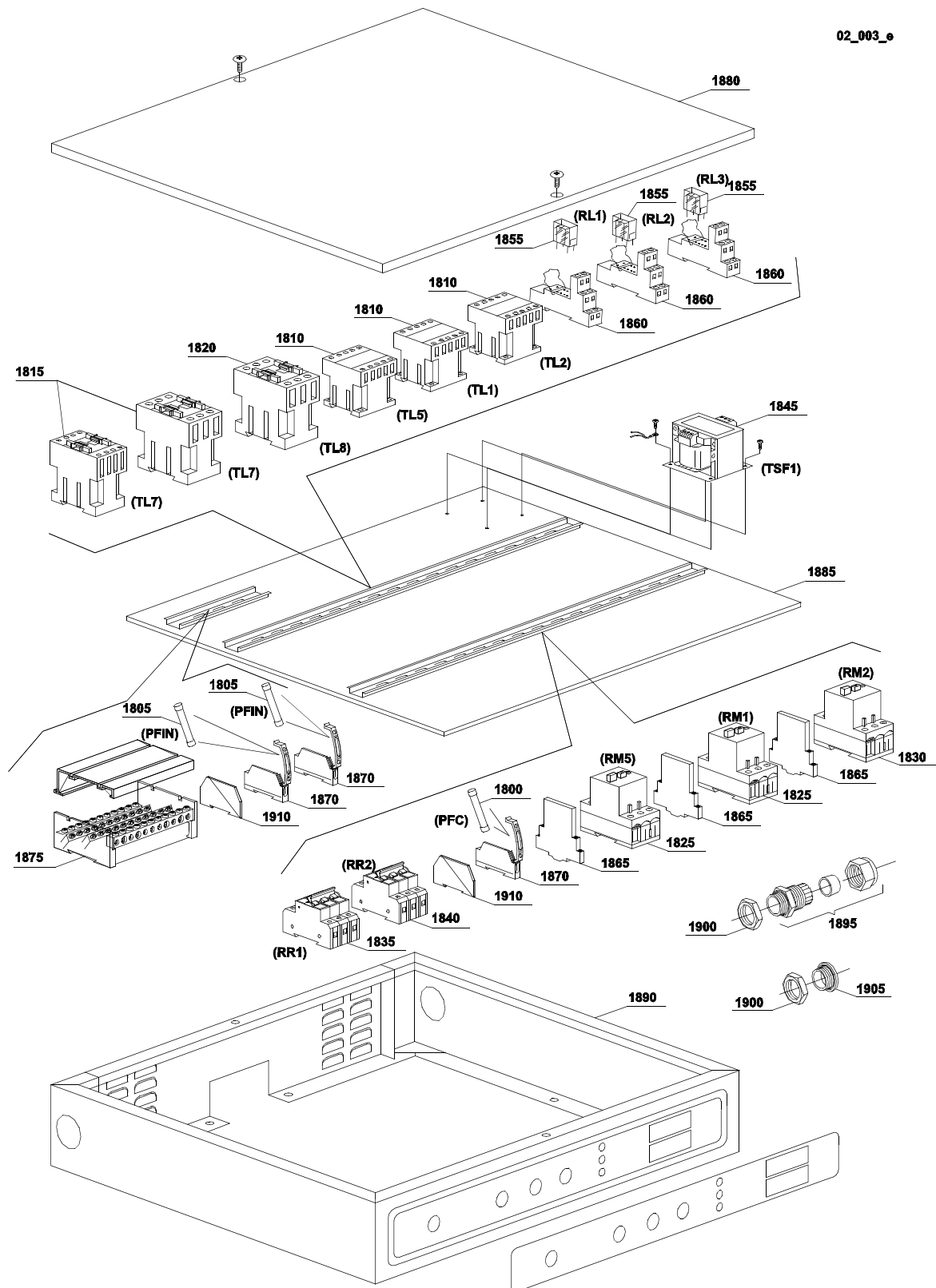
1.2 Product codes

Product code	Full name
Model codes	
Type codes	
23	23
Accessory codes	
sc9	STEAM CONDENSER - LC 91
csa	CONVEYOR SPEED ADJUSTING- LC 101
972	90° MOTORIZED CHAIN CONVEYOR - LC 97/2
973	180° MOTORIZED CHAIN CONVEYOR - LC 97/3
974	DRYER WITH 90° MOTORIZED CHAIN CONVEYOR - LC 97/4
975	DRYER WITH 180° MOTORIZED CHAIN CONVEYOR - LC 97/5
d9	DRYER - LC 90
d92	DRYER - LC 90/2
cw	ADDITIONAL BOILER FOR COLD WATER SUPPLY
dvgw	DVGW VALVE SYSTEM
szc9	SPLASH ZONE WITH CILINDER - LC 94
ti	TANKS INSULATION
ds	DOUBLE SKIN
bp	BOOSTER PUMP
sdn3	DISPENSERS SYSTEM SDN-3
98	ANGLE LOADING TABLE - LC 98



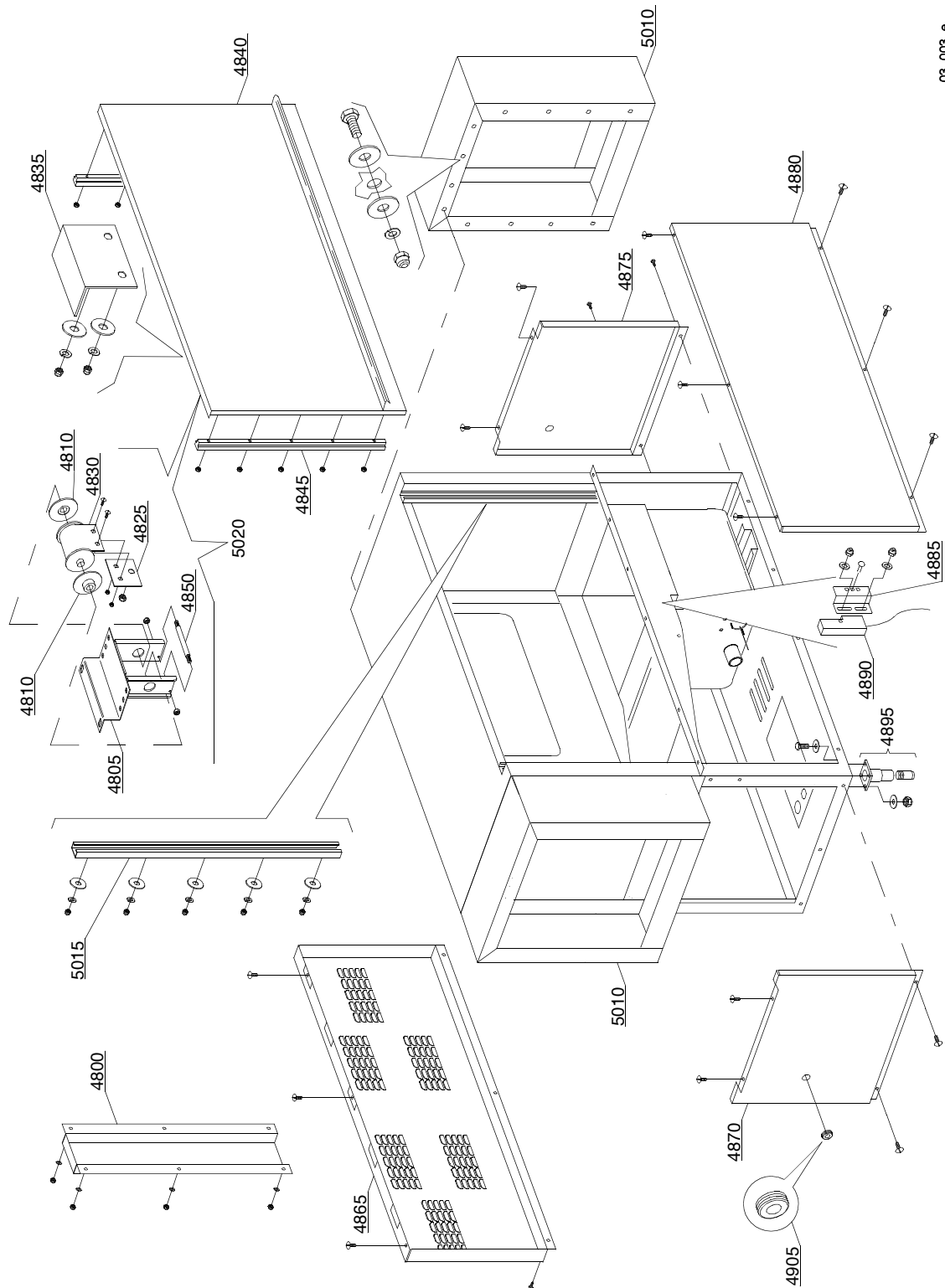
01_001_e

ID	P-code	Model	Type	Accessory	Voltage	Description
MODULE:Control Panel						
1	2000402		23			Thermometer
5	2000430		23			Safety thermostat
10	3002031		23			Selector with knob
15	3002050		23			Emergency button
20	3002053		23			Push button green
25	3002055		23			Button red
30	3002065		23			Signal light red
35	3002067		23			Signal light yellow
40	15874		23			Green main switch
45	10707/1		23			Thermostat 0 - 90° (TB2)
50	3009114		23			Assembly plate
55	15812		23			Starter electric component
60	3002054		23			Green contact piece (NO)
65	3002056		23			Red contact piece (NC)
70	3002066		23			Signal light green
75	15815		23			Support square single
80	15824		23			Green-orange cam
85	2000401		23			Thermometer probe
90	15849		23			Switch assembly (PM2)



Spare parts

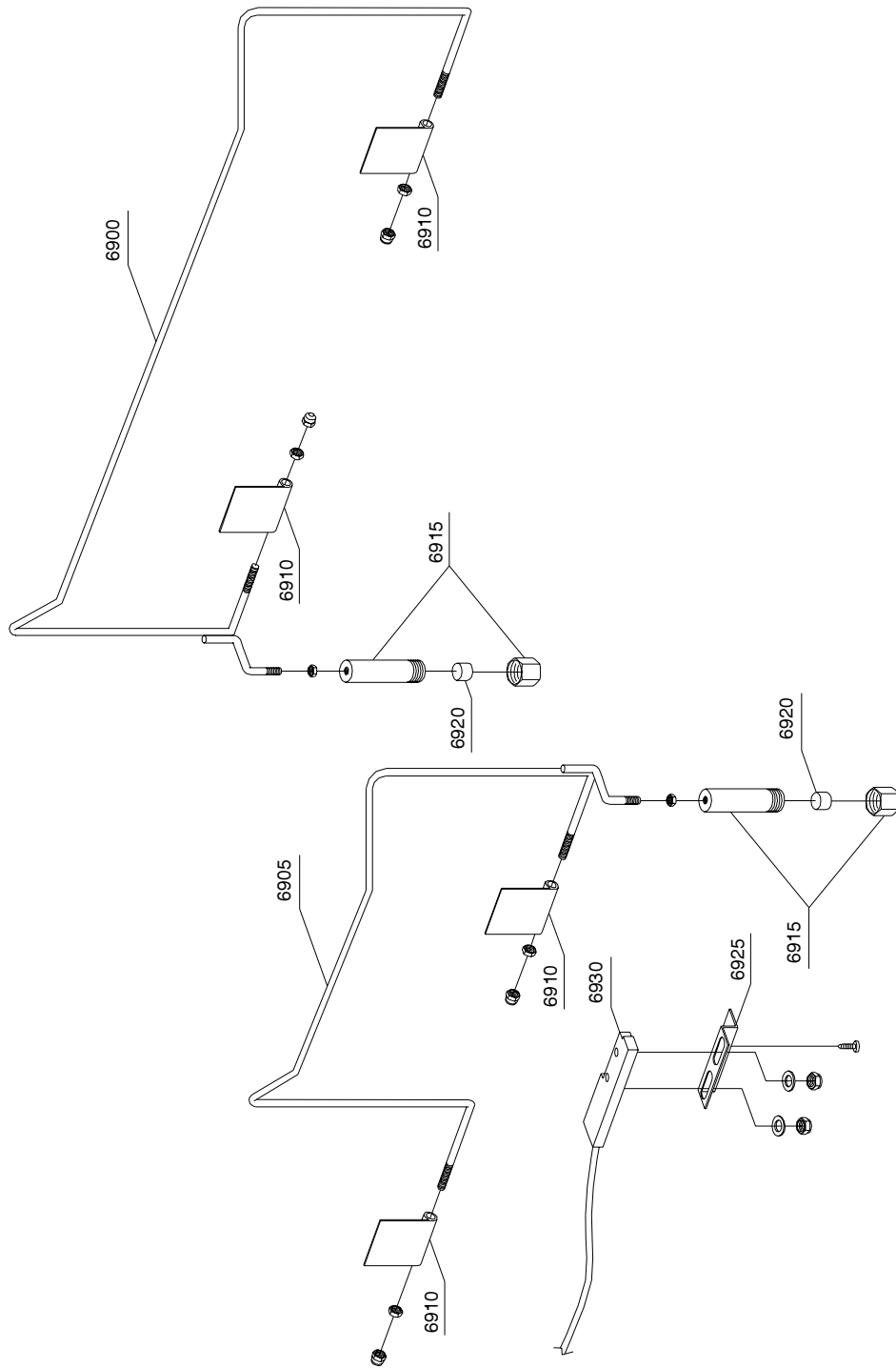
ID	P-code	Model	Type	Accessory	Voltage	Description
MODULE:Electric parts						
1800	15160		23		A	Fuse 5x20 10A
1805	15163		23		A	Fuse 5x20 1A
1810	2000370		23		A	Contactora MC9
1815	2000380		23		A	Contactora BF12 (heating element < 9 kW)
1815	2000385		23		A	Contactora BF20 (heating element > 9 kW)
1820	2000385		23		A	Contactora BF20
1825	2000390		23		A	Motorprotector 1 - 1.6A
1830	2000400		23		A	Motorprotector 4 - 6.3A
1835	2000403		23		A	Automatic fuse C20 (heating element < 9kW)
1835	2000404		23		A	Automatic fuse C25 (heating element > 9kW)
1840	2000403		23		A	Automatic fuse C20 (heating element < 9kW)
1840	2000404		23		A	Automatic fuse C25 (heating element > 9kW)
1845	3006061		23		A	Transformer 200VA
1845	3006060		23		A	Transformer 160VA
1855	3006078		23		A	Relay
1860	3006079		23		A	Base for relay
1865	3006080		23		A	Auxiliary contact LMS25
1870	3006147		23		A	Fuse holder
1875	3006154		23		A	Terminal board
1880	3009457		23		A	Control panel cover
1885	3009458		23		A	Electric parts pannel
1890	3019033		23		A	Comand parts pannel
1895	80419		23		A	Cable-fastener PG29
1900	80420		23		A	Lock nut
1905	80421		23		A	Plug PG29
1910	3006144		23		A	Fuse holder covering plate



03_003_e

Spare parts

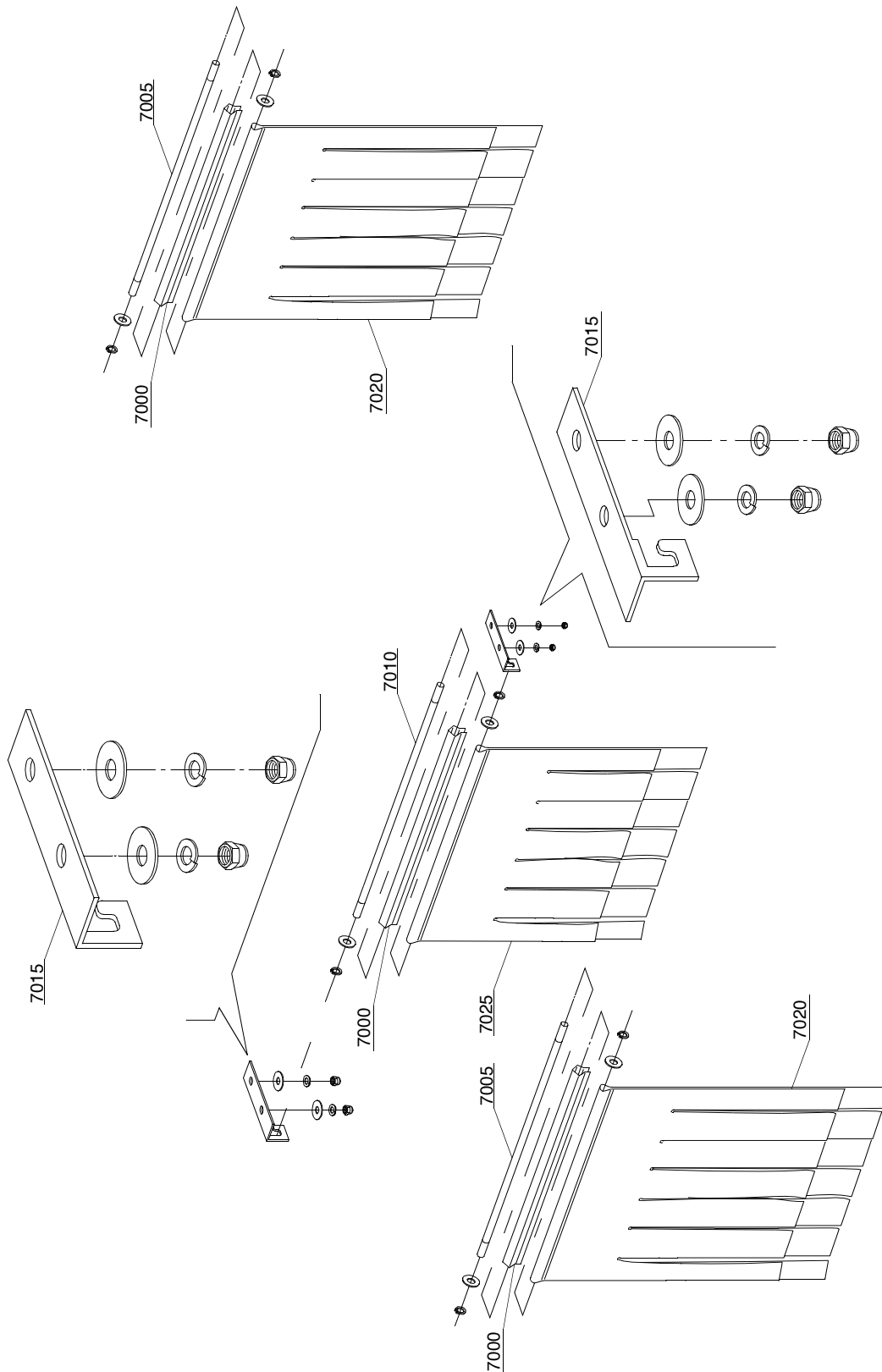
ID	P-code	Model	Type	Accessory	Voltage	Description
MODULE:General parts						
4800	3009322		23			Rear cover
4805	3009909		23			Spring support
4810	3004012		23			Spring holder
4825	3009555		23			Spring clamping plate
4830	3004011		23			Door spring BBSR 23
4835	3009269		23			Door stop
4840	3009404		23			Door assembly
4845	3004026		23			Door guide
4850	3003958		23			Pin
4865	3009173		23			Rear panel
4870	3009188		23			Cover left
4875	3009189		23			Cover right
4880	3009465		23			Front cover
4885	3009112		23			Microswitch support
4890	3003112		23			Door microswitch
4895	80116		23			Foot
4905	13329		23			Fairlead
5010	3019021		23			Splash zone
5015	3009033		23			Slideways
5020	3009905		23			Spring assembly BBSR 23



03_102_e

Spare parts

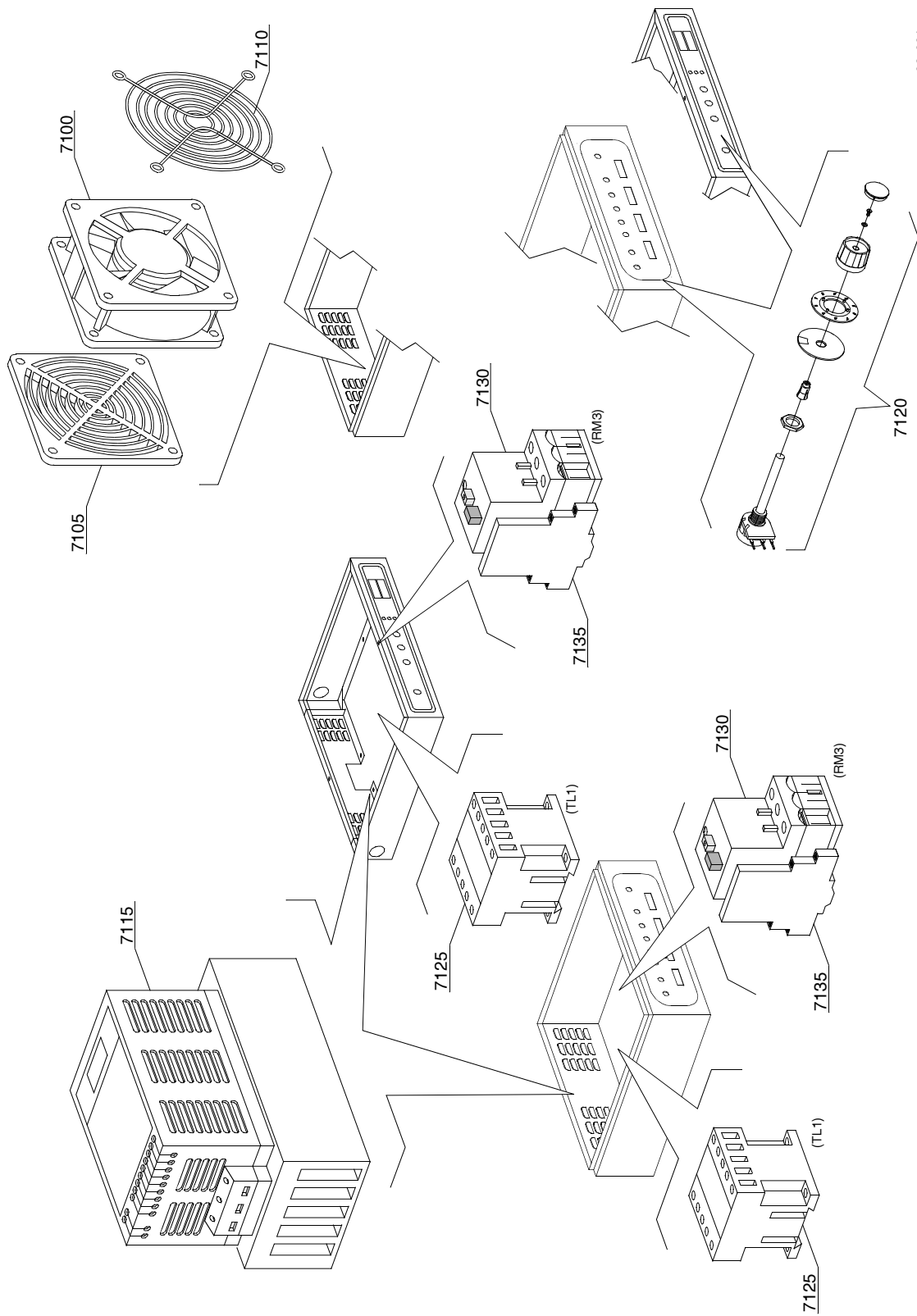
ID	P-code	Model	Type	Accessory	Voltage	Description
MODULE:Economizer components						
6900	3003074		23			Rack switch arm right
6900	3003075		23			Rack switch arm left
6905	3003072		23			Rack switch arm right
6905	3003073		23			Rack switch arm left
6910	3003061		23			Economizer support
6915	3003058		23			Magnet holder
6920	3003113		23			Magnet
6925	3009112		23			Door microswitch support
6930	3003112		23			Door microswitch



03_201_e

Spare parts

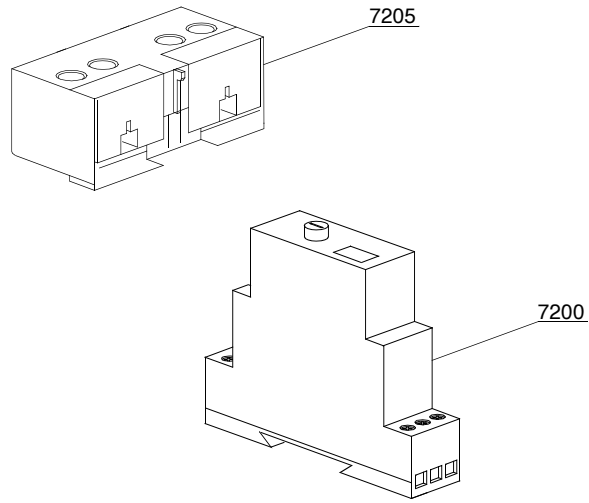
ID	P-code	Model	Type	Accessory	Voltage	Description
MODULE: Curtains group components						
7000	3009109		23			Curtain moulding
7005	3004053		23			Curtain rod short
7010	3004052		23			Curtain rod long
7015	3009110		23			Curtain support
7020	3004050		23			Curtain long
7025	3004051		23			Curtain short



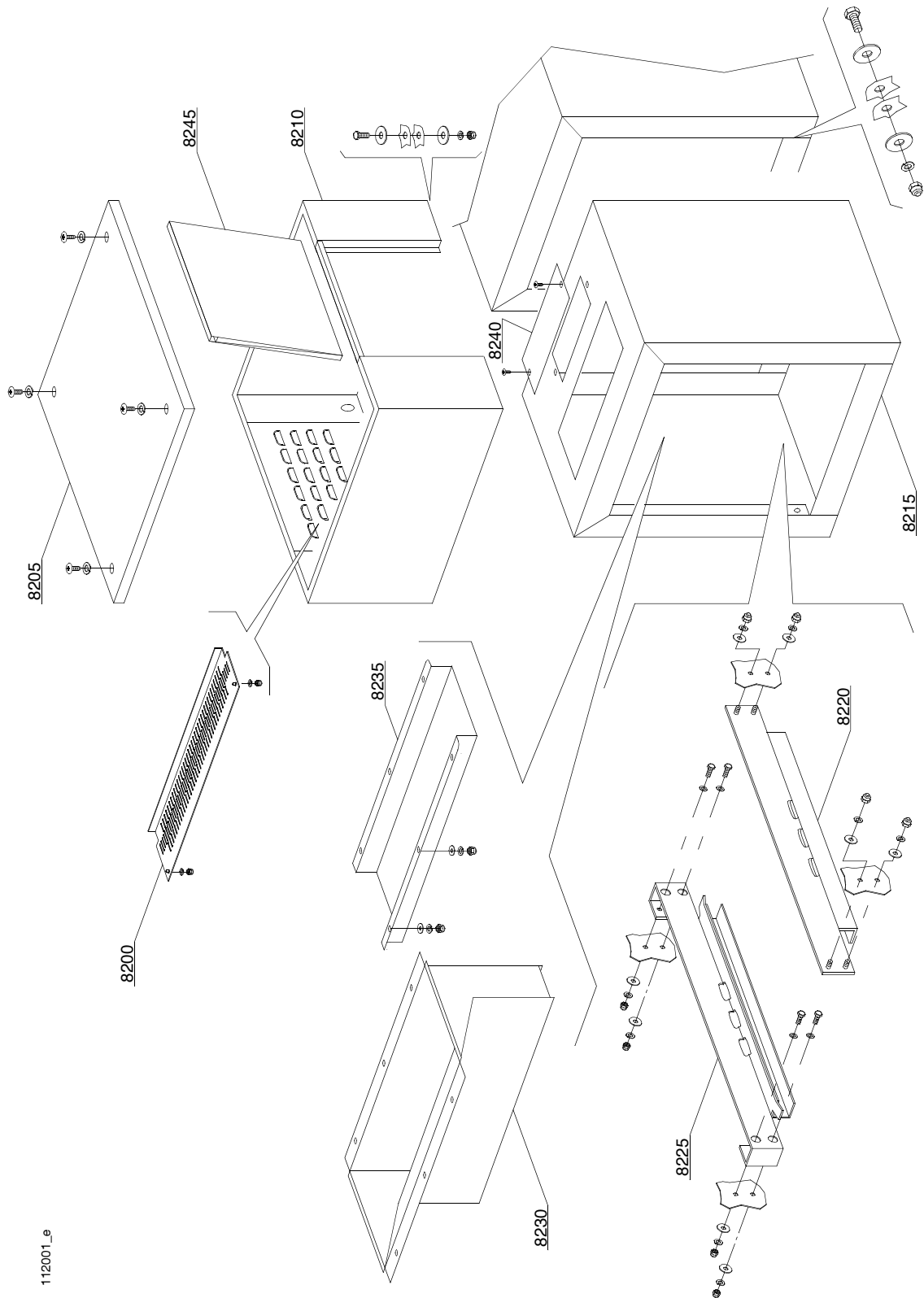
06_001_e

Spare parts

ID	P-code	Model	Type	Accessory	Voltage	Description
MODULE:Inverter						
7100	3000118		23	csa	A	Impeller fan
7105	3000118/A		23	csa	A	Filter
7110	3000118/B		23	csa	A	Grid
7115	3000117		23	csa	A	Inverter 0,37kW
7120	3000119		23	csa	A	Potentiometer with knob
7125	2000370		23	csa	A	Contactator MC9
7130	2000400		23	csa	A	Motorprotector 4-6,3A
7135	3006080		23	csa	A	Auxiliary contact LMS25



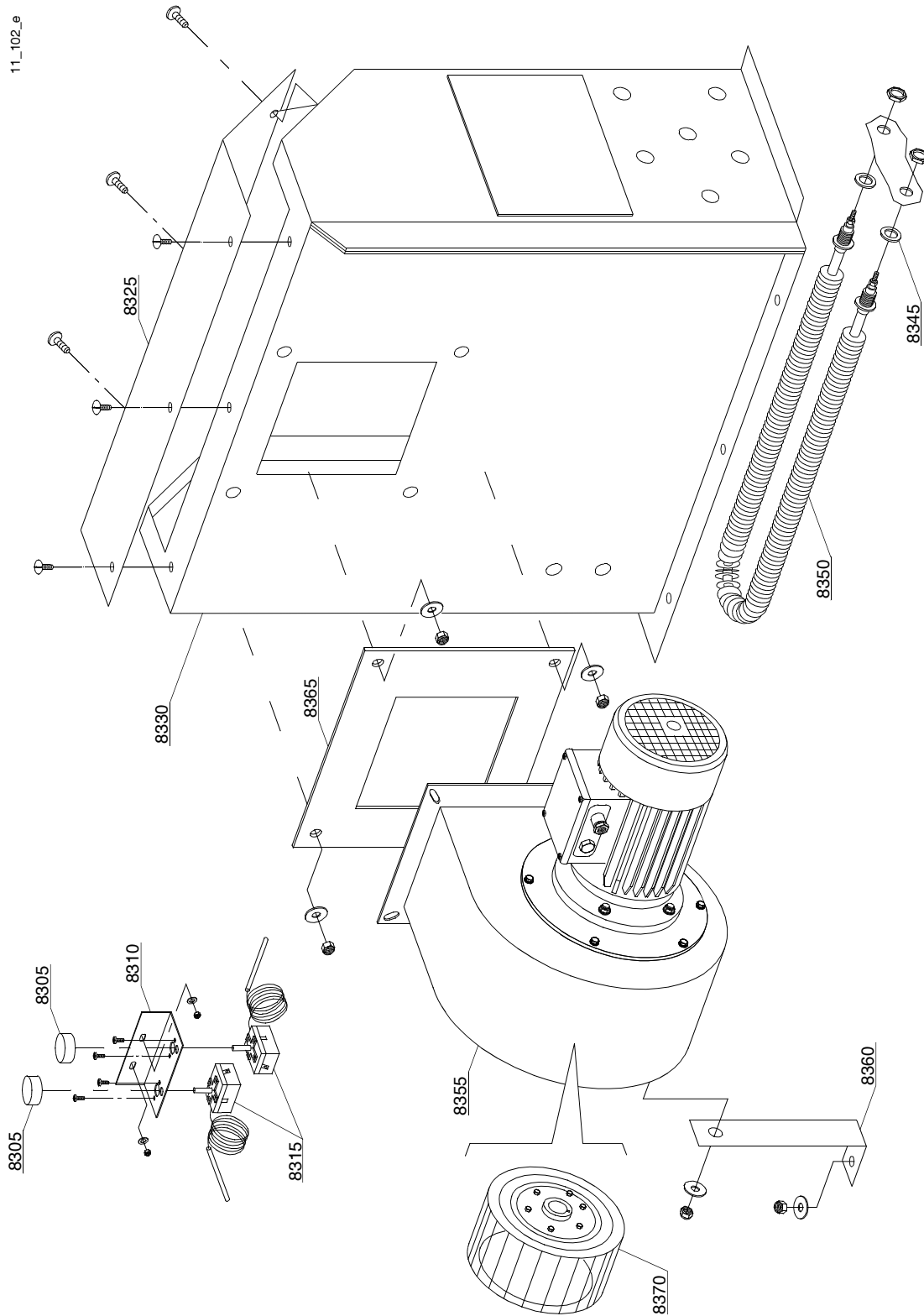
07_001_e



112001_e

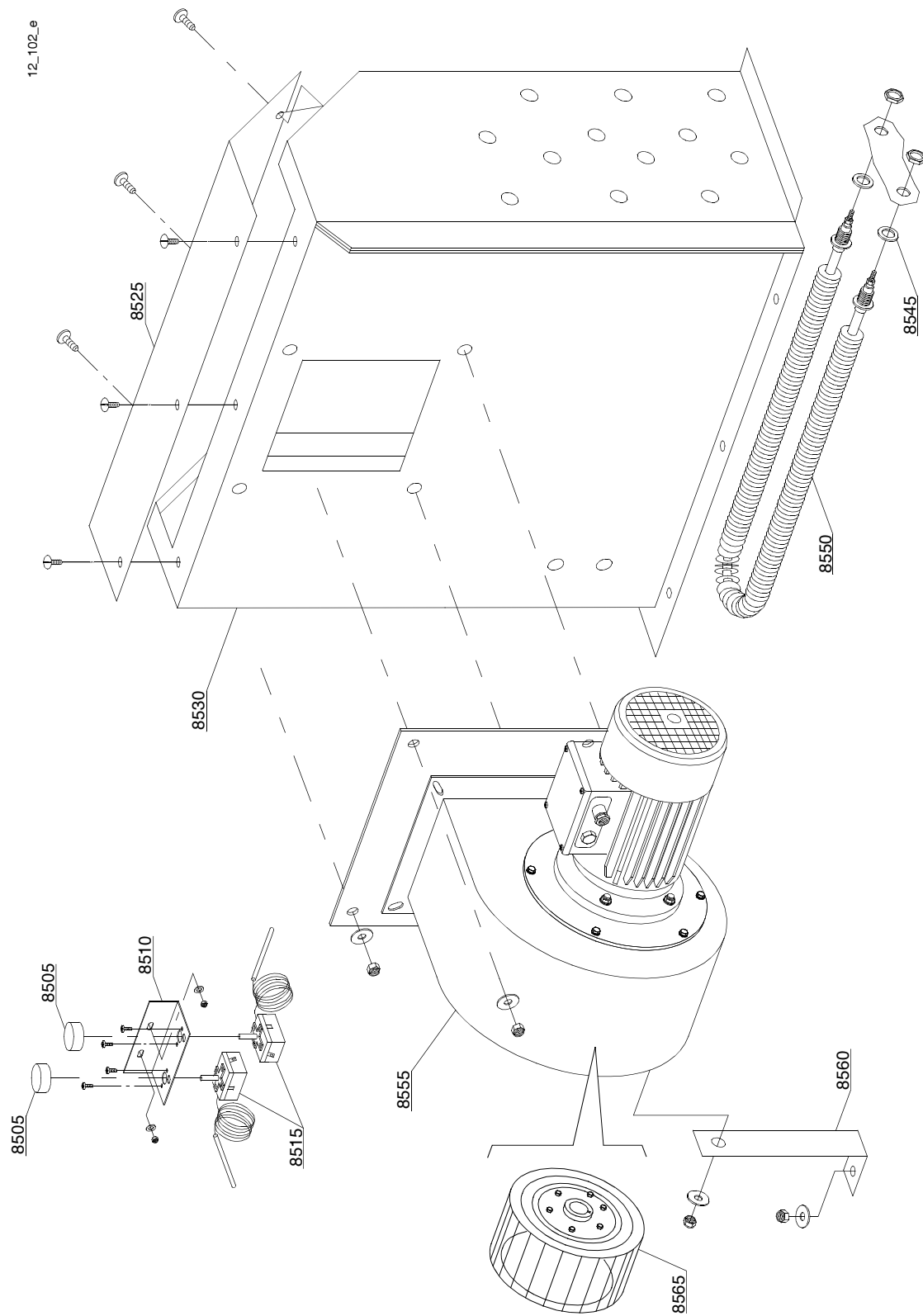
Spare parts

ID	P-code	Model	Type	Accessory	Voltage	Description
MODULE:Dryer LC 90 - LC 90/2 (6 - 12kW) - part 1						
8200	3009362/A		23	d9,d92		Protection
8205	3009267		23	d9,d92		Cover panel
8210	3009484		23	d9,d92		Complete body
8215	3009485		23	d9,d92		Dryer module
8220	3009047		23	d9,d92		Front slideways
8225	3009057		23	d9,d92		Back slideways
8230	3009492		23	d9,d92		Flow conveyor
8235	3009434		23	d9		Splash guard
8240	3009100		23	d92		Air covering
8245	3009268		23	d9,d92		Dryer carter lockup



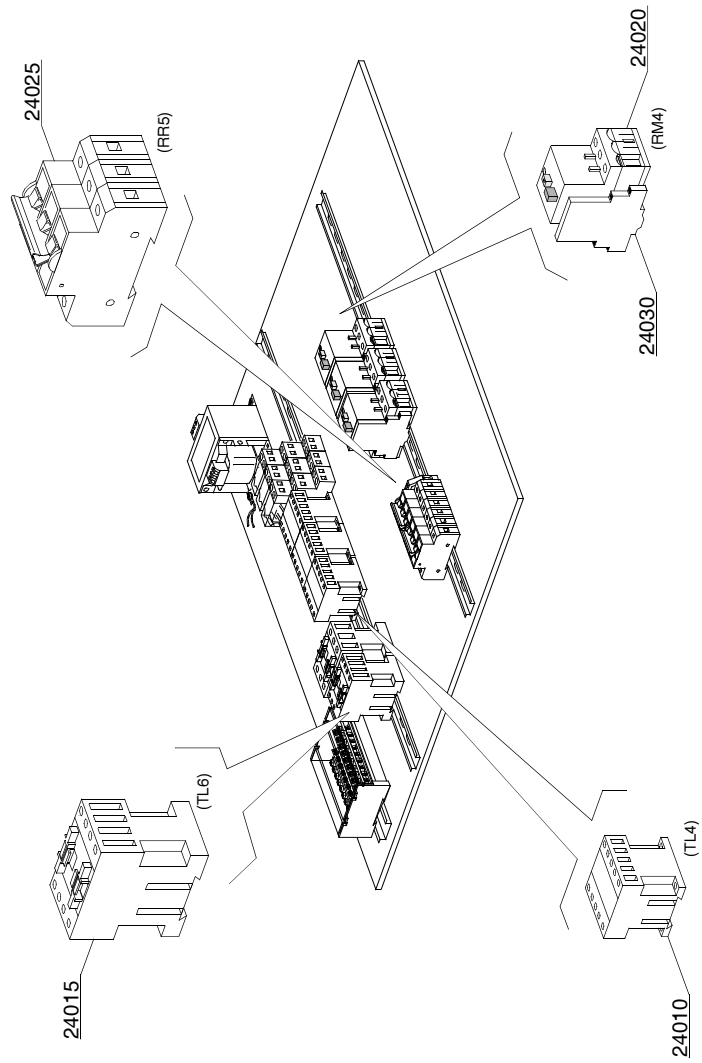
Spare parts

ID	P-code	Model	Type	Accessory	Voltage	Description
MODULE:Dryer LC 90 (6kW) - part 2						
8305	15105/A		23	d9		Thermostat knob
8310	3009104		23	d9		Thermostat support
8315	10707/2		23	d9		Thermostat with shaft 0 - 90°
8325	3009085		23	d9		Cover drying conveyer
8330	3009486		23	d9		Right drying conveyer
8330	3009487		23	d9		Left drying conveyer
8345	10200171		23	d9		Gasket FASIT 25x17x2
8350	2000359		23	d9		Drying heating element with nut
8355	3000300		23	d9	A	Motorfan 0,55 kW
8360	3009214		23	d9		Motorfan support
8365	3009275		23	d9		Flange
8370	3000308		23	d9		Pump rotor



Spare parts

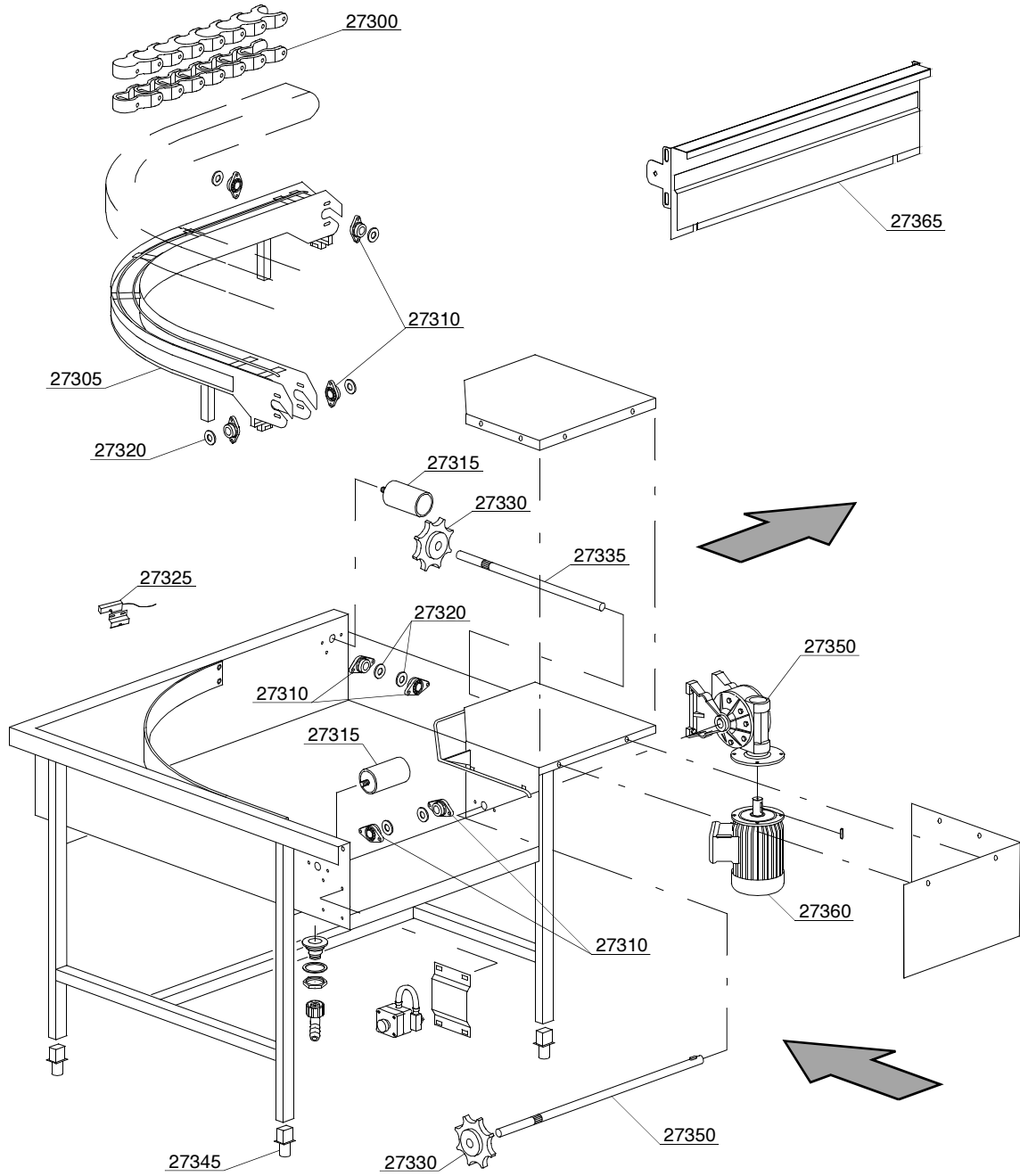
ID	P-code	Model	Type	Accessory	Voltage	Description
MODULE:Dryer LC 90/2 (12kW) - part 2						
8505	15105/A		23	d92,974,975		Thermostat knob
8510	3009104		23	d92,974,975		Thermostat support
8515	10707/2		23	d92,974,975		Thermostat with shaft 0 - 90°
8525	3009085		23	d92,974,975		Cover drying conveyor
8530	3009488		23	d92,974,975		Right drying conveyor
8530	3009489		23	d92,974,975		Left drying conveyor
8545	10200171		23	d92,974,975		Gasket FASIT 25x17x2
8550	2000359		23	d92,974,975		Drying heating element with nut
8555	3003118		23	d92,974,975		Motorfan 0.75 kW
8555	3000301		23	d92,974,975		Motorfan 1,5 kW
8560	3009214		23	d92,974,975		Motorfan support
8565	3003119		23	d92,974,975		Pump rotor



112104_e

Spare parts

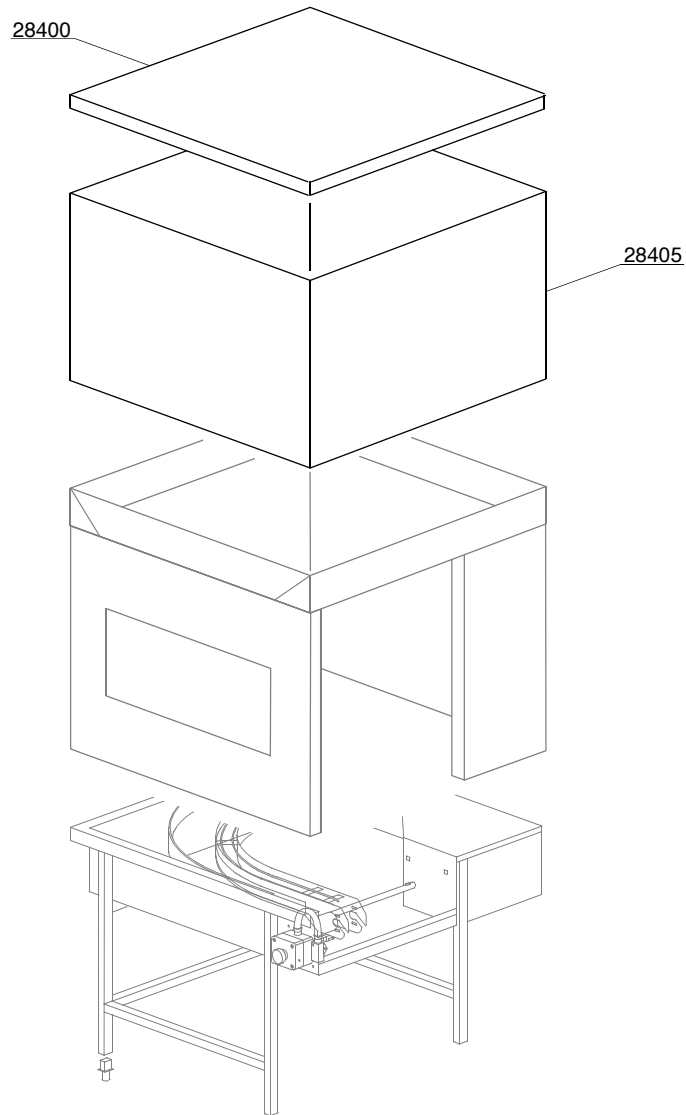
ID	P-code	Model	Type	Accessory	Voltage	Description
MODULE:Dryer LC 90 - LC 90/2 (6 - 12kW) - electric components						
24010	2000370		23	d9,d92,974,975	A	Contactora MC9
24015	2000380		23	d9	A	Contactora BF12 (LC90 - 6kW)
24015	2000385		23	d92,974,975	A	Contactora BF20 (LC90/2 - 12kW)
24020	2000394		23	d9,d92	A	Motorprotector 2,5-4A (Motorfan 0,75 kW)
24020	2000400		23	d92,974,975	A	Motorprotector 4-6,3A (Motorfan 1,5 kW)
24025	2000403		23	d9	A	Automatic fuse C16 (LC90 - 6kW)
24025	2000404		23	d92,974,975	A	Automatic fuse C25 (LC90/2 - 12kW)
24030	3006080		23	d9,d92,974,975	A	Auxiliary contact LMS25



15_001_e

Spare parts

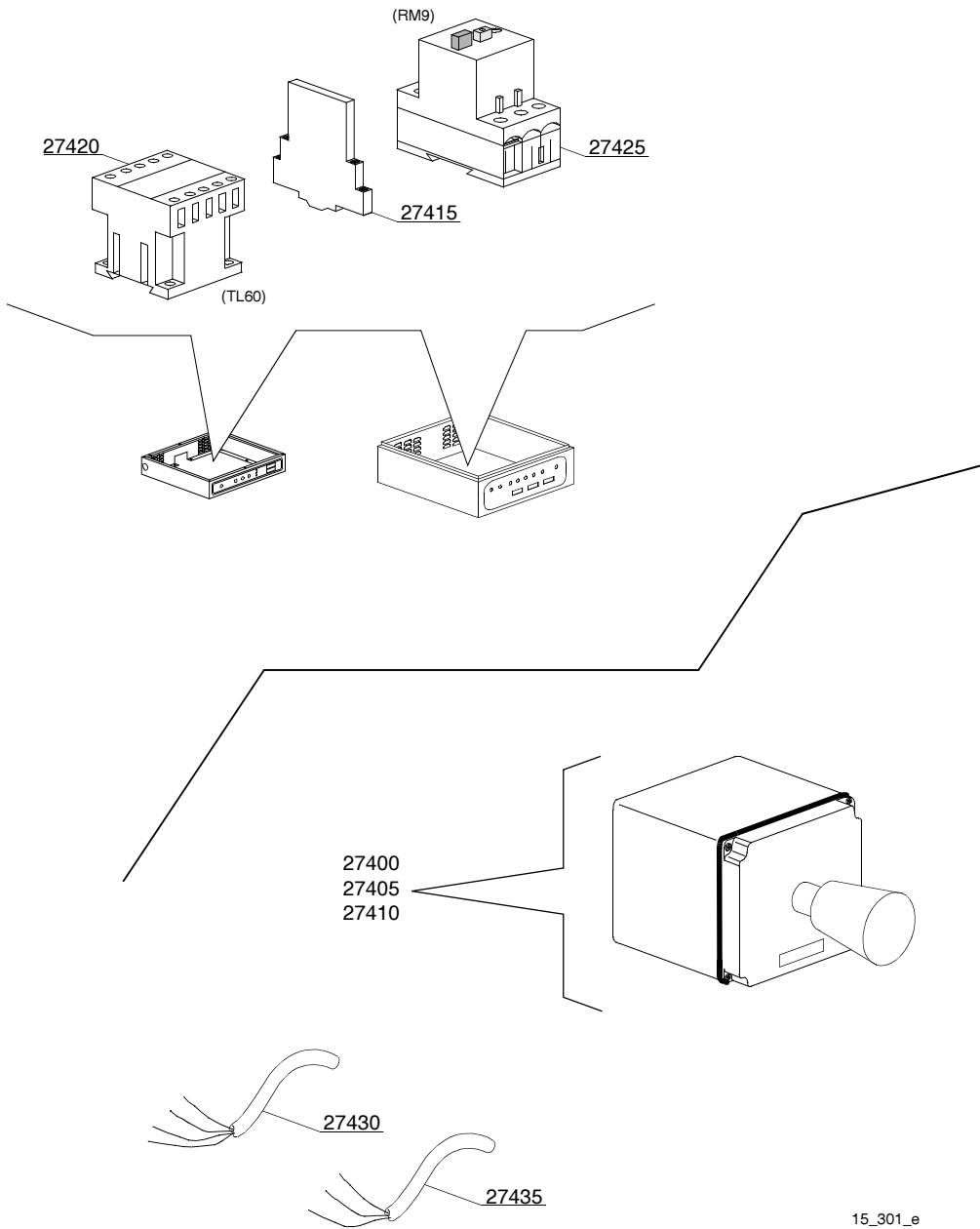
ID	P-code	Model	Type	Accessory	Voltage	Description
MODULE:Motorized curve 90° - LC 97/2						
27300	3000259		23	972,974		Chain for roller
27305	3003057		23	972,974		Kit guide for chain
27310	3000260		23	972,974		Flange for chain
27315	3000262		23	972,974		Ø50x80 embossment roller
27320	3003048		23	972,974		Spacer for bearings
27325	3003112		23	972,974		Door microswitch
27330	3000261		23	972,974		8 teeth pinion
27335	3003050		23	972,974		Neutral shaft for chain
27345	3000252		23	972,974		Adjustable food
27350	3003047		23	972,974		Shaft for chain rotation
27350	3000254		23	972,974		Gear right 1:100
27360	3000107		23	972,974	A	Conveyor motor
27360	3000108		23	972,974		Conveyor motor
27360	3000251		23	972,974	A	Conveyor motor



15_101_e

Spare parts

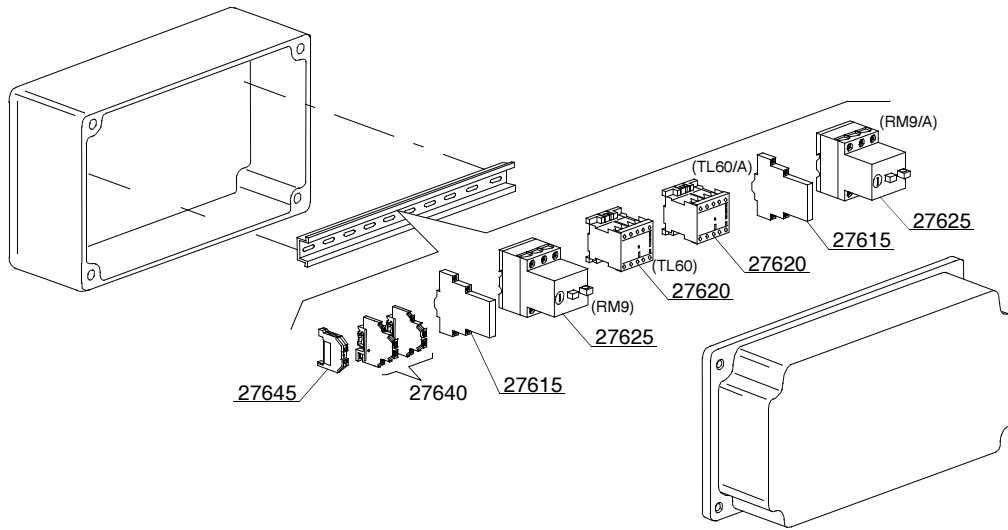
ID	P-code	Model	Type	Accessory	Voltage	Description
MODULE: Dryer motorized curve 90° - LC 97/4						
28400	3009326		23	974		Cover panel
28405	3009511		23	974		Carter



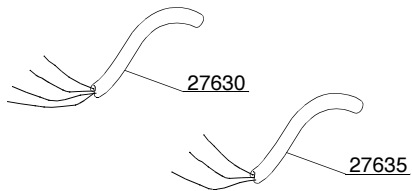
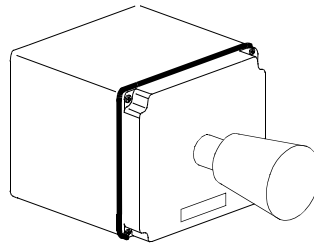
15_301_e

Spare parts

ID	P-code	Model	Type	Accessory	Voltage	Description
MODULE:Motorized curve 90° - LC 97/2: electric parts						
27400	3000264		23	972,974		Emergency box
27405	3000263		23	972,974		Emergency switch
27410	3002059		23	972,974		1R contact
27415	3006080		23	972,974		Auxiliary contact LMS25
27420	2000370		23	972,974		Contactora MC9
27425	2000390		23	972,974		Motorprotector 1 - 1.6A
27430	3006134		23	972,974		Flame-retardant cable 4x1,5mm
27435	3006136		23	972,974		Flame-retardant cable 3x1mm



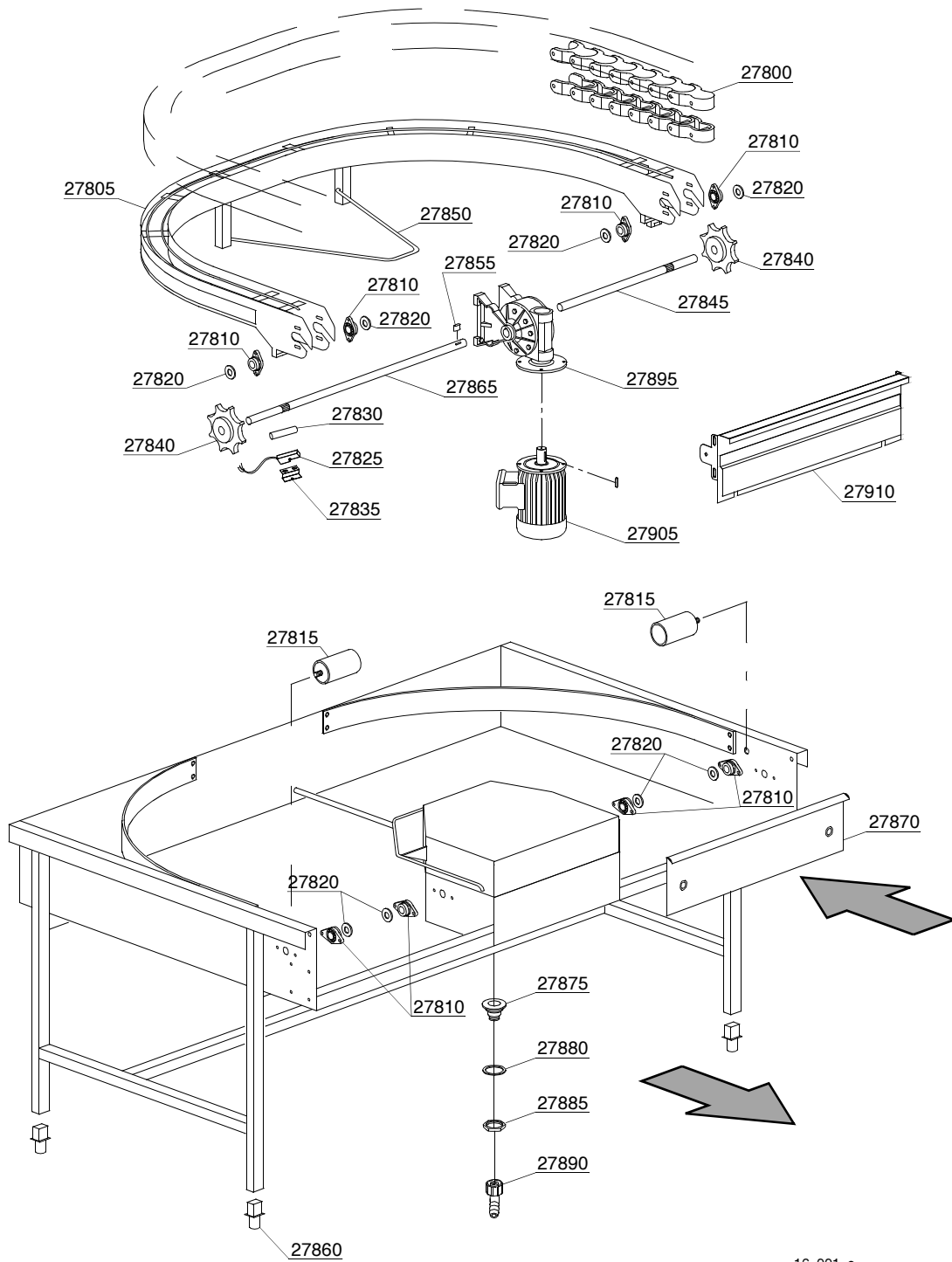
27600
27605
27610



15_303_e

Spare parts

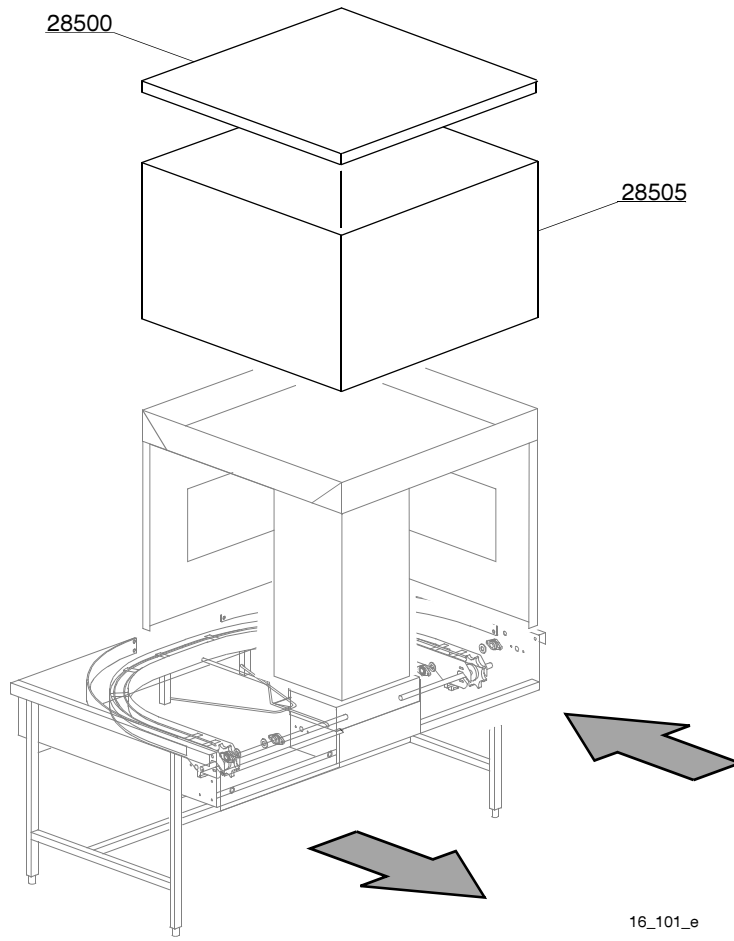
ID	P-code	Model	Type	Accessory	Voltage	Description
MODULE:Motorized curve 90° - LC 97/2: electric parts double speed - remote control						
27600	3000264		23	972,974		Emergency box
27605	3000263		23	972,974		Emergency switch
27610	3002059		23	972,974		1R contact
27615	3006080		23	972,974		Auxiliary contact LMS25
27620	2000370		23	972,974		Contacteur MC9
27625	2000390		23	972,974		Motorprotector 1 - 1.6A
27630	3006134		23	972,974		Flame-retardant cable 4x1,5mm
27635	3006136		23	972,974		Flame-retardant cable 3x1mm
27640	3006092		23	972,974		Clamp 4mm
27645	10300401		23	972,974		Earth clamp 4mm



16_001_e

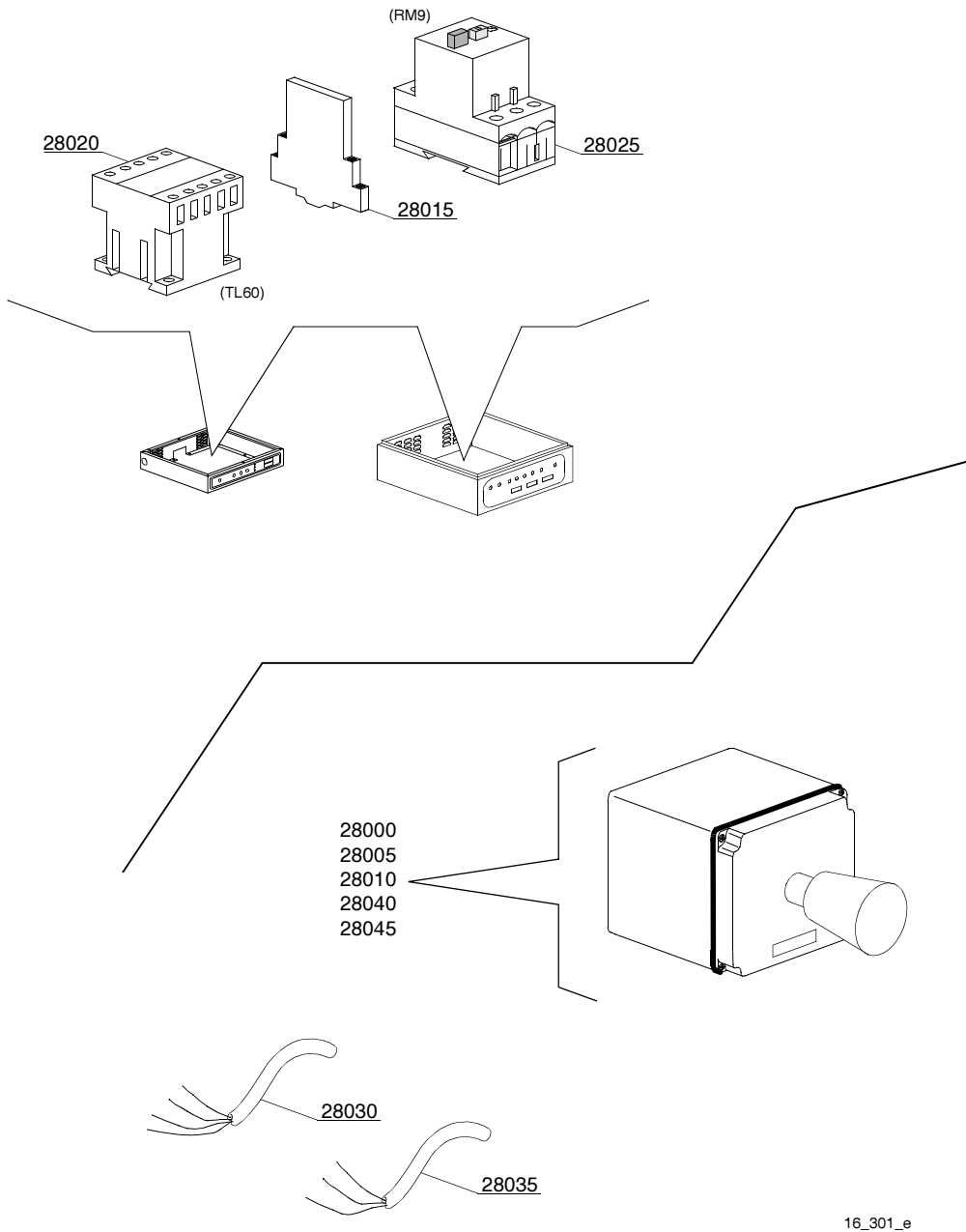
Spare parts

ID	P-code	Model	Type	Accessory	Voltage	Description
MODULE:Motorized curve 180° - LC 97/3						
27800	3000259		23	973,975		Chain for roller
27805	3003056		23	973,975		Kit guide for chain
27810	3000260		23	973,975		Flange for chain
27815	3000262		23	973,975		Ø50x80 embossment roller
27820	3003048		23	973,975		Spacer for bearings
27825	3003112		23	973,975		Door microswitch
27830	80232		23	973,975		Magnet for reed
27835	3009112		23	973,975		Holder for reed micro door
27840	3000261		23	973,975		8 teeth pinion
27845	3003051		23	973,975		Neutral shaft for chain
27850	3003053		23	973,975		Lifting arm for chain guide
27855	2001045		23	973,975		6x6x25 machine key
27860	3000252		23	973,975		Adjustable food
27865	3003047		23	973,975		Shaft for chain rotation
27870	3009609		23	973,975		Protection panel
27875	10200113		23	973,975		Floor drain
27880	10200173		23	973,975		75x58x2 gasket
27885	10200114		23	973,975		Drain floor nut
27890	15613		23	973,975		"1"" 1/4x30 nylon elbow"
27895	3000254		23	973,975		Gear right 1:100
27905	3000107		23	973,975	A	Conveyor motor
27905	3000108		23	973,975		Conveyor motor
27905	3000251		23	973,975	A	Conveyor motor



Spare parts

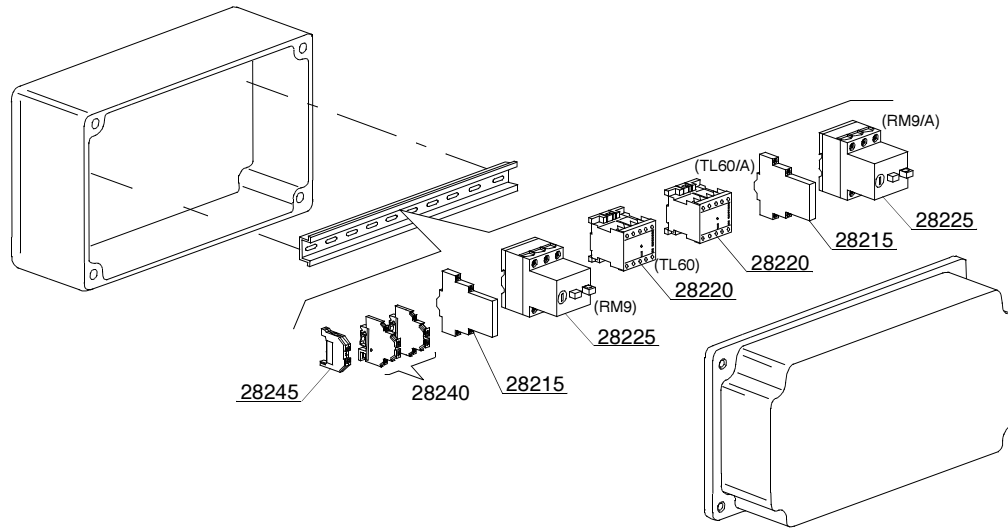
ID	P-code	Model	Type	Accessory	Voltage	Description
MODULE:Dryer motorized curve 180° - LC 97/5						
28500	3009326		23	975		Cover panel
28505	3009511		23	975		Carter



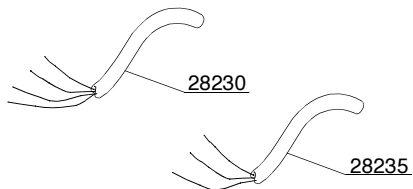
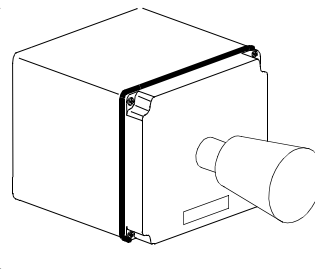
16_301_e

Spare parts

ID	P-code	Model	Type	Accessory	Voltage	Description
MODULE:Motorized curve 180° - LC 97/3: electric parts						
28000	3000264		23	973,975		Emergency box
28005	3000263		23	973,975		Emergency switch
28010	3002059		23	973,975		1R contact
28015	3006080		23	973,975		Auxiliary contact LMS25
28020	2000370		23	973,975		Contacteur MC9
28025	2000390		23	973,975		Motorprotector 1 - 1.6A
28030	3006134		23	973,975		Flame-retardant cable 4x1,5mm
28035	3006136		23	973,975		Flame-retardant cable 3x1mm
28040	3000266		23	973,975		Male connector with support
28045	3000267		23	973,975		Female connector with support

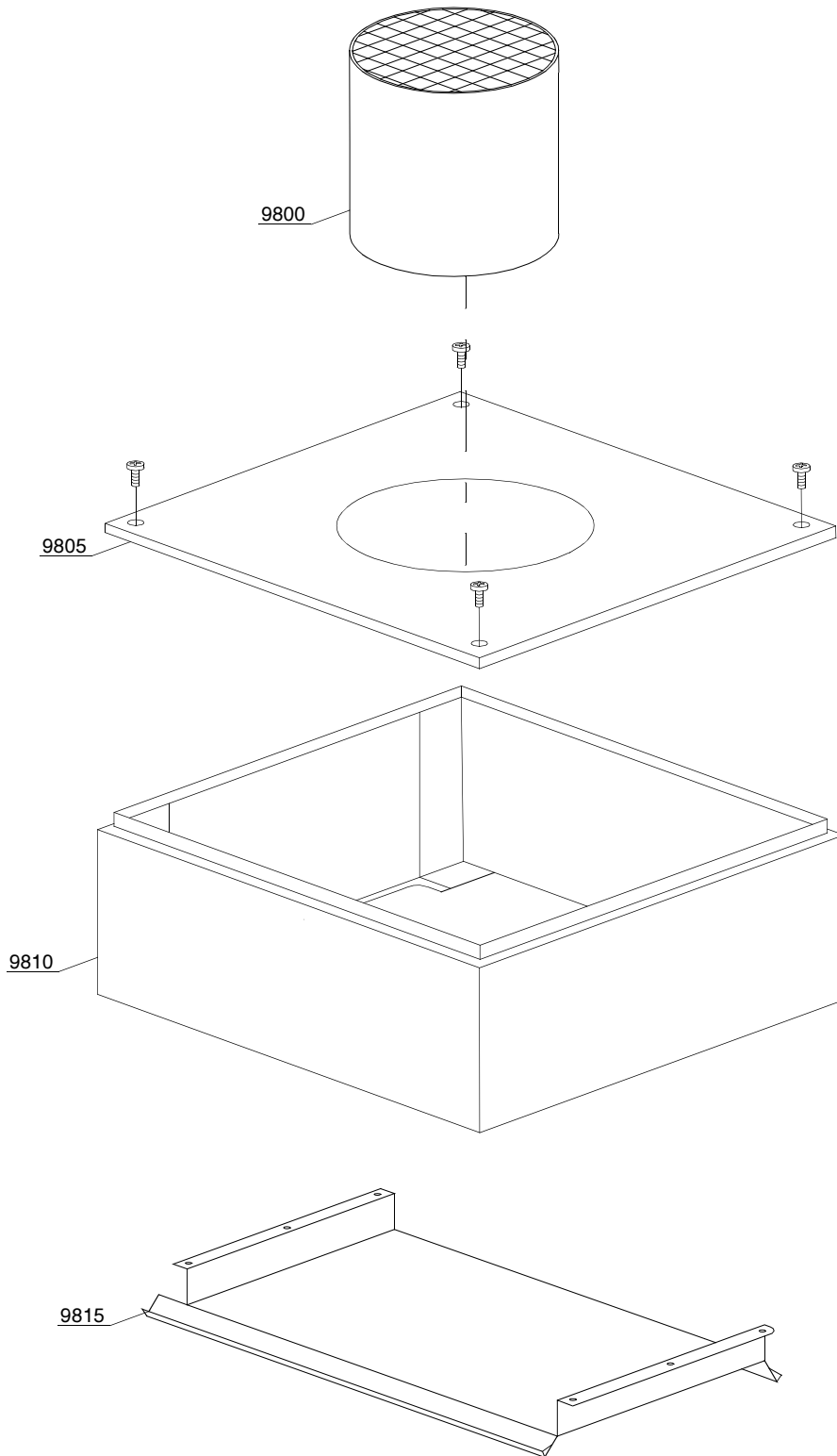


- 28200
- 28205
- 28210
- 28250
- 28255



Spare parts

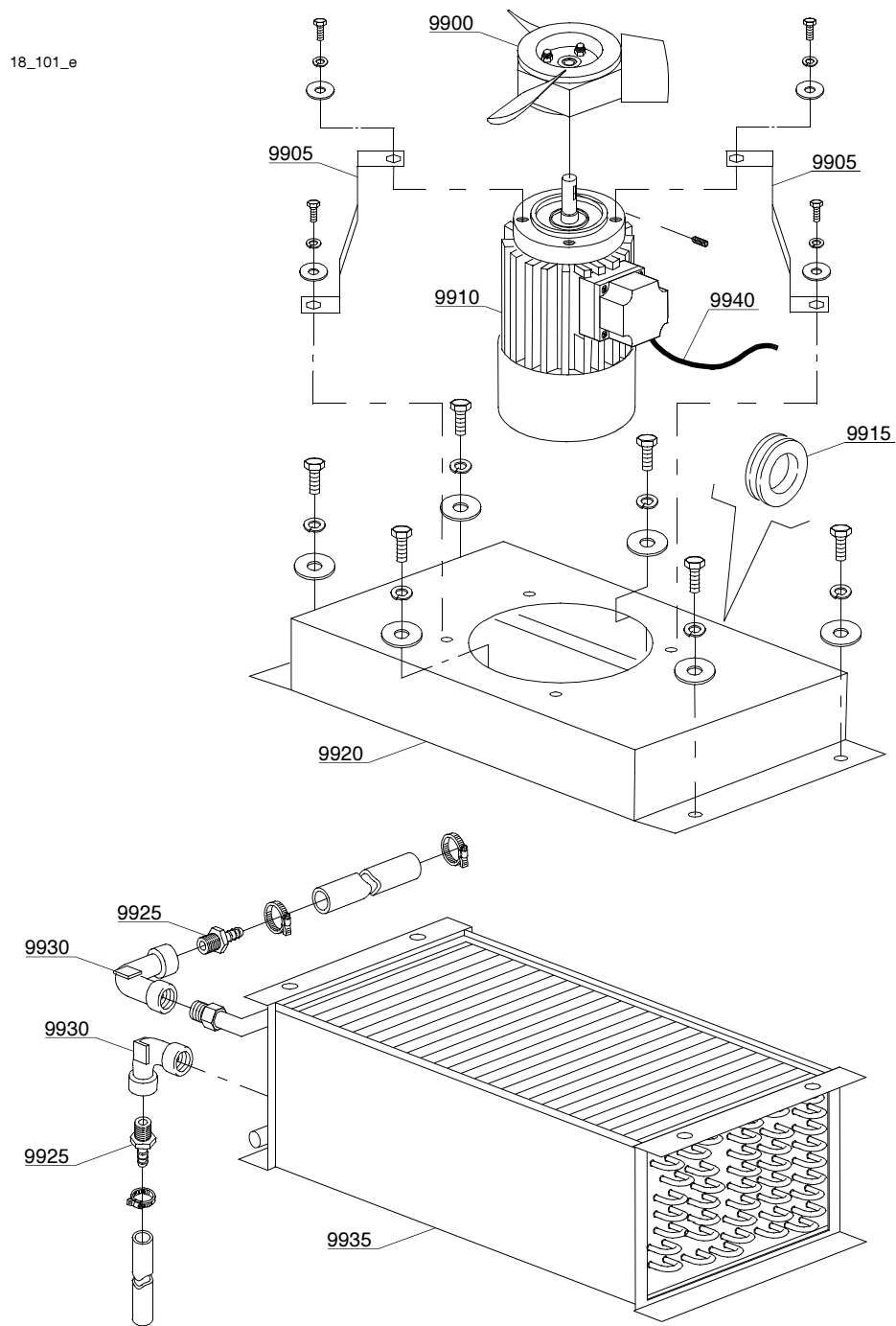
ID	P-code	Model	Type	Accessory	Voltage	Description
MODULE:Motorized curve 180° - LC 97/3: electric parts double speed - remote control						
28200	3000264		23	973,975		Emergency box
28205	3000263		23	973,975		Emergency switch
28210	3002059		23	973,975		1R contact
28215	3006080		23	973,975		Auxiliary contact LMS25
28220	2000370		23	973,975		Contactore MC9
28225	2000390		23	973,975		Motorprotector 1 - 1.6A
28230	3006134		23	973,975		Flame-retardant cable 4x1,5mm
28235	3006136		23	973,975		Flame-retardant cable 3x1mm
28240	3006092		23	973,975		Clamp 4mm
28245	10300401		23	973,975		Earth clamp 4mm
28250	3000266		23	973,975		Male connector with support
28255	3000267		23	973,975		Female connector with support



18_001_e

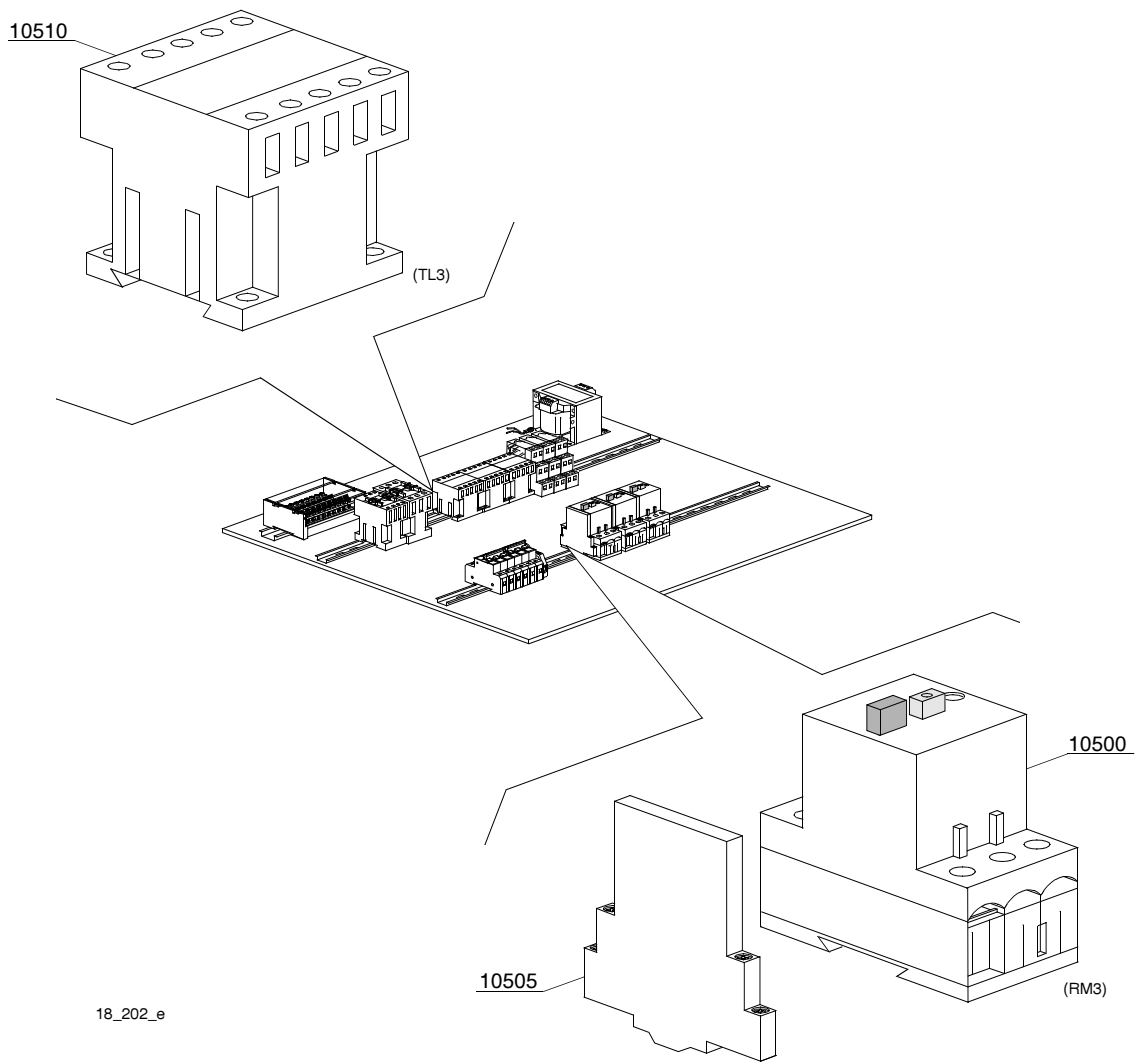
Spare parts

ID	P-code	Model	Type	Accessory	Voltage	Description
MODULE:Steam condenser - part 1						
9800	3009499		23	sc9		Chimney
9805	3009306		23	sc9		Cover with hole
9810	3009502		23	sc9		Complete body
9815	3009090		23	sc9		Suction group



Spare parts

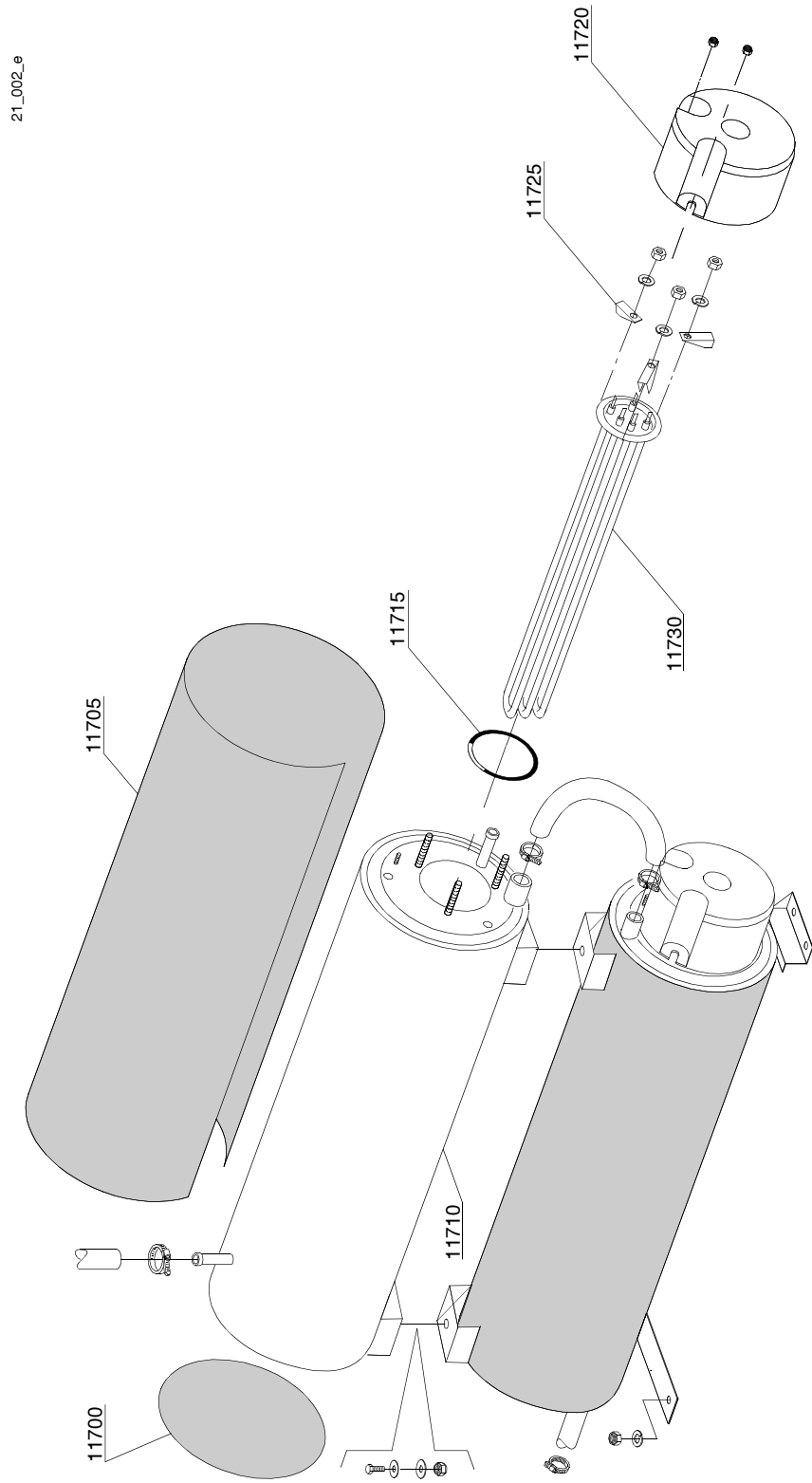
ID	P-code	Model	Type	Accessory	Voltage	Description
MODULE:Steam condenser - part 2						
9900	3000125		23	sc9		Impeller fan
9905	3009106		23	sc9		Motor holder
9910	3000120		23	sc9	A	Motor 0.18KW
9915	13329		23	sc9		Fairlead
9920	3009079		23	sc9		Steam condenser base
9925	12023		23	sc9		Hose holder
9930	3002139		23	sc9		Elbow
9935	3000155		23	sc9		Heating recovery battery
9940	15184		23	sc9		Cable



18_202_e

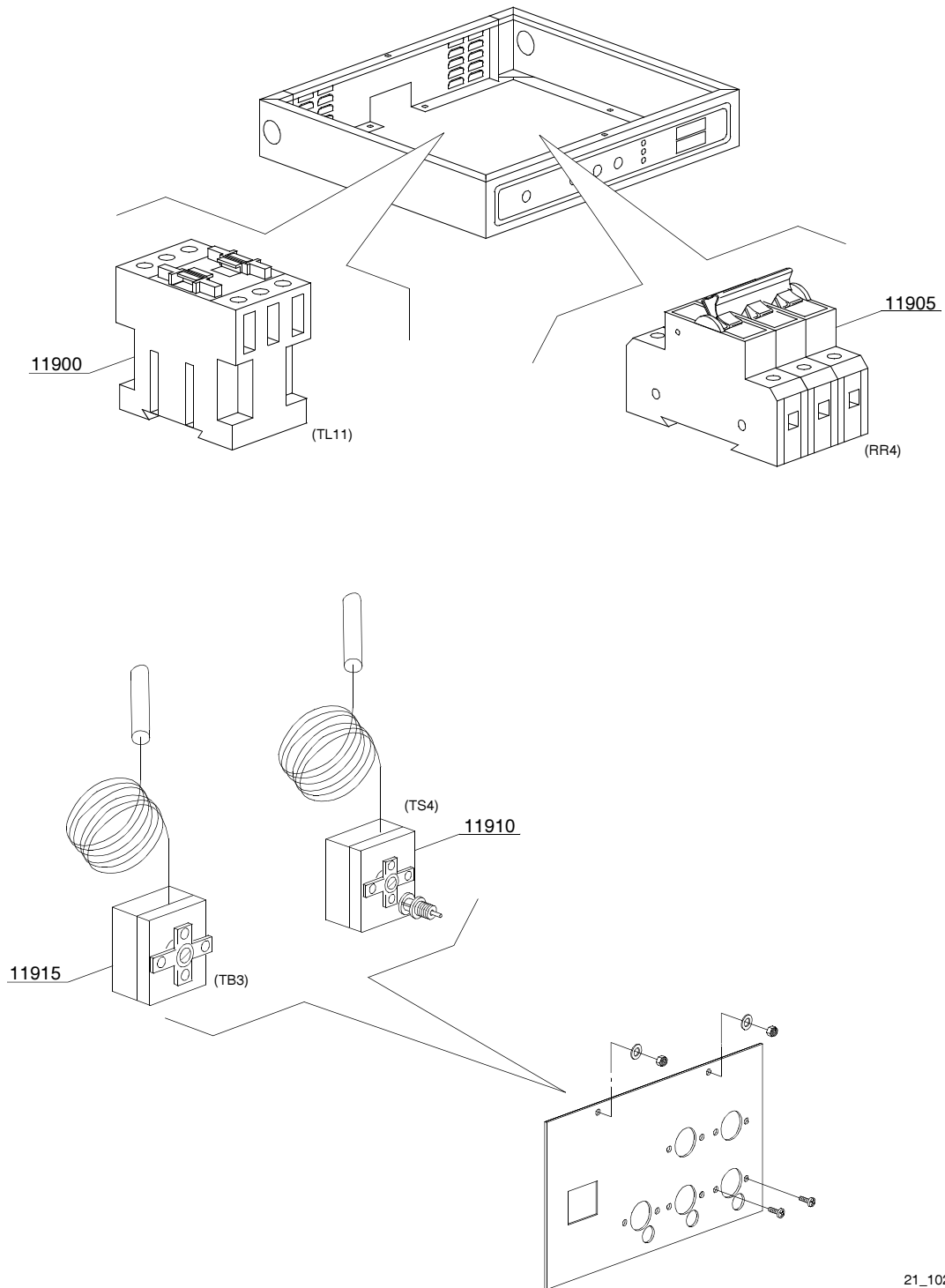
Spare parts

ID	P-code	Model	Type	Accessory	Voltage	Description
MODULE:Steam condenser - part 3						
10500	2000390		23	sc9	A	Motorprotector 1 - 1.6A
10505	3006080		23	sc9	A	Auxiliary contact LMS25
10510	2000370		23	sc9	A	Contactore MC9



Spare parts

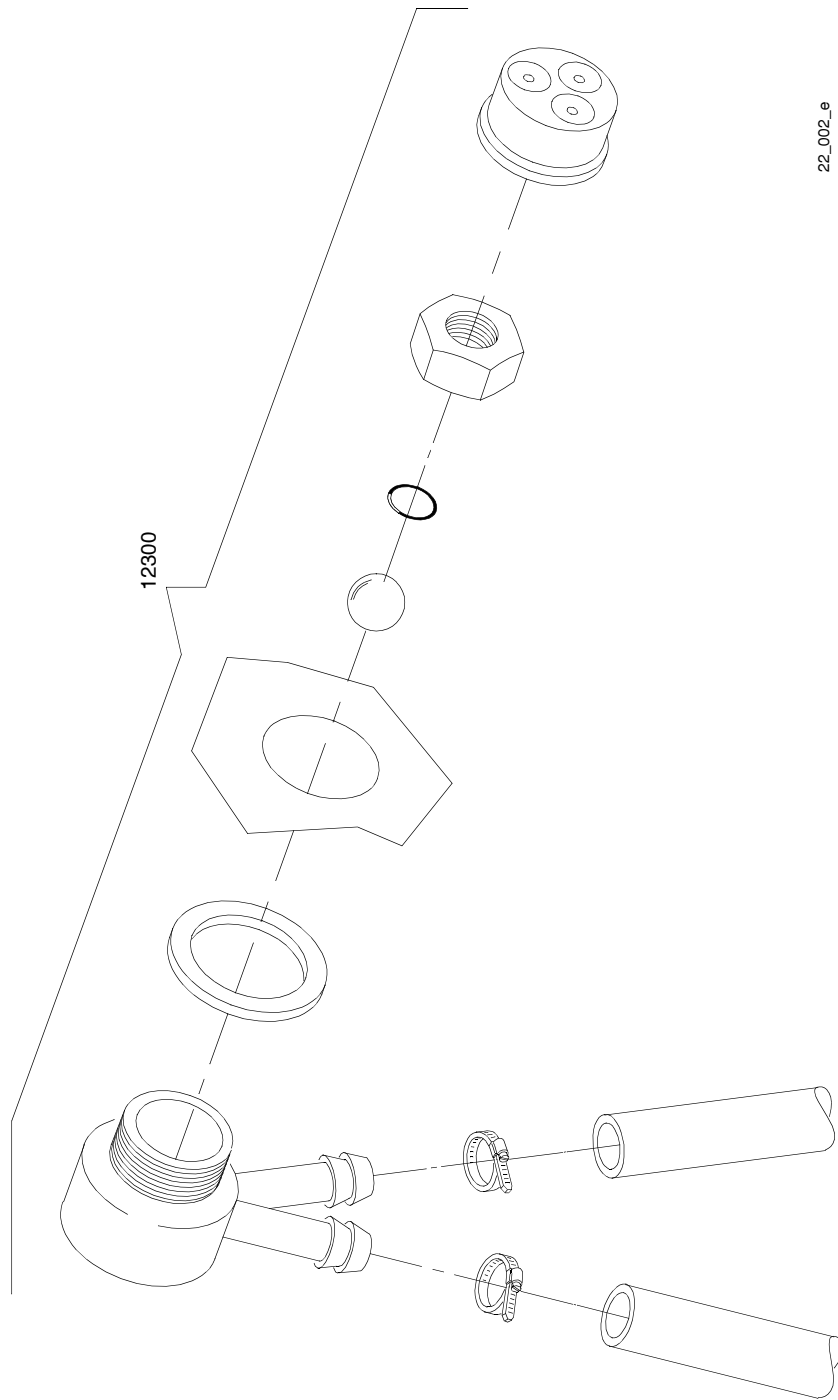
ID	P-code	Model	Type	Accessory	Voltage	Description
MODULE:Additional boiler components						
11700	75205		23	cw		Bottom boiler insulating
11705	30002030		23	cw		Boiler insulating
11710	3007013		23	cw		Boiler
11715	13015		23	cw		O-ring 160 (6225)
11720	75311		23	cw		Heating element cover
11725	16045		23	cw		Heating element support Ø6,3
11730	30001011		23	cw	A	Heating element 9kW
11730	30001011/A		23	cw	A	Heating element 12kW
11730	30001011/B		23	cw	A	Heating element 14kW



21_102_e

Spare parts

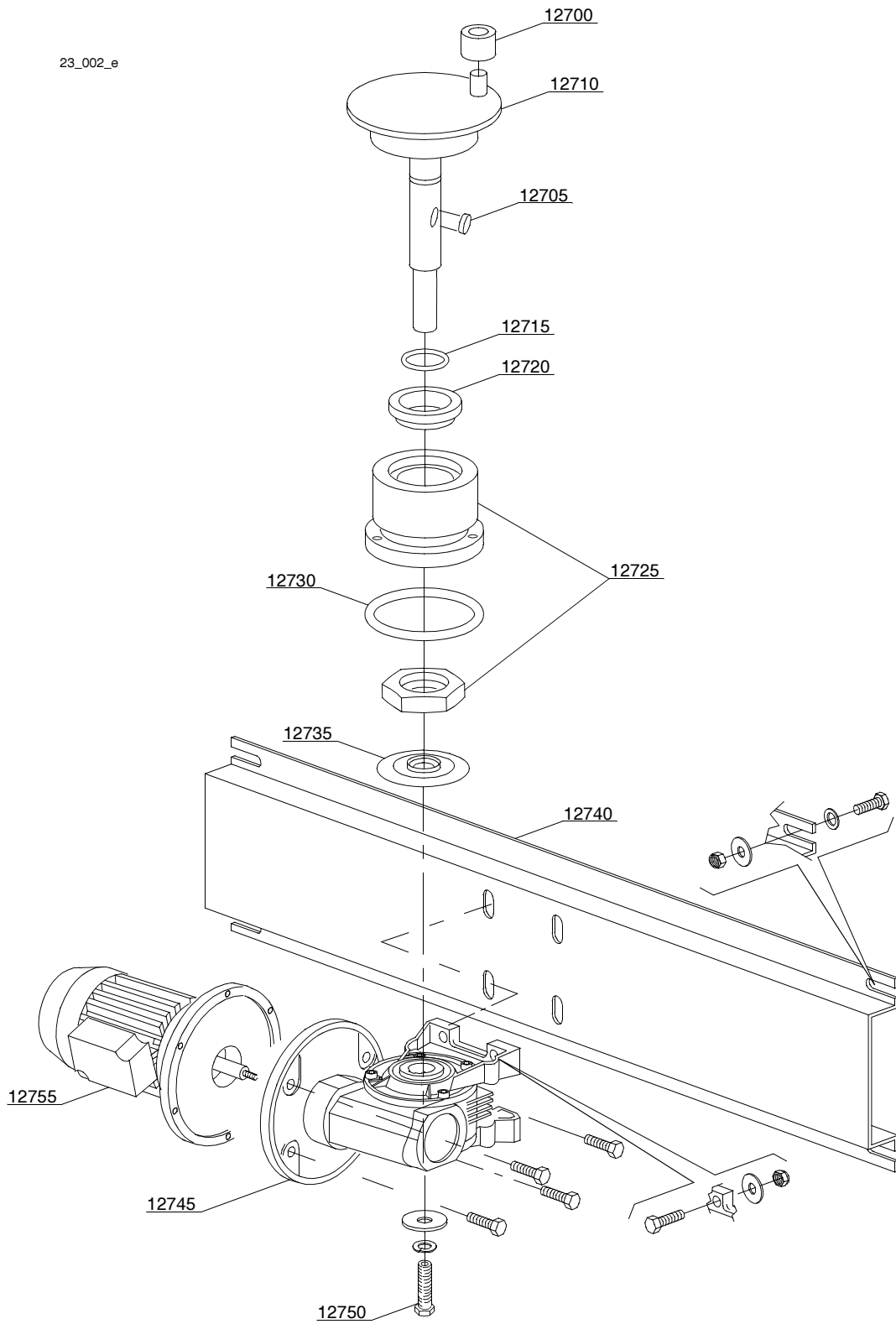
ID	P-code	Model	Type	Accessory	Voltage	Description
MODULE:Additional boiler: electrical components						
11900	2000380		23	cw	A	Contactora BF12 (heating element < 9 kW)
11900	2000385		23	cw	A	Contactora BF20 (heating element > 9 kW)
11905	2000403		23	cw	A	Automatic fuse C20 (heating element < 9 kW)
11905	2000404		23	cw	A	Automatic fuse C25 (heating element > 9 kW)
11910	2000430		23	cw		Safety thermostat
11915	10707/1		23	cw		Thermostat 0 - 90° (TB2)



22_002_e

Spare parts

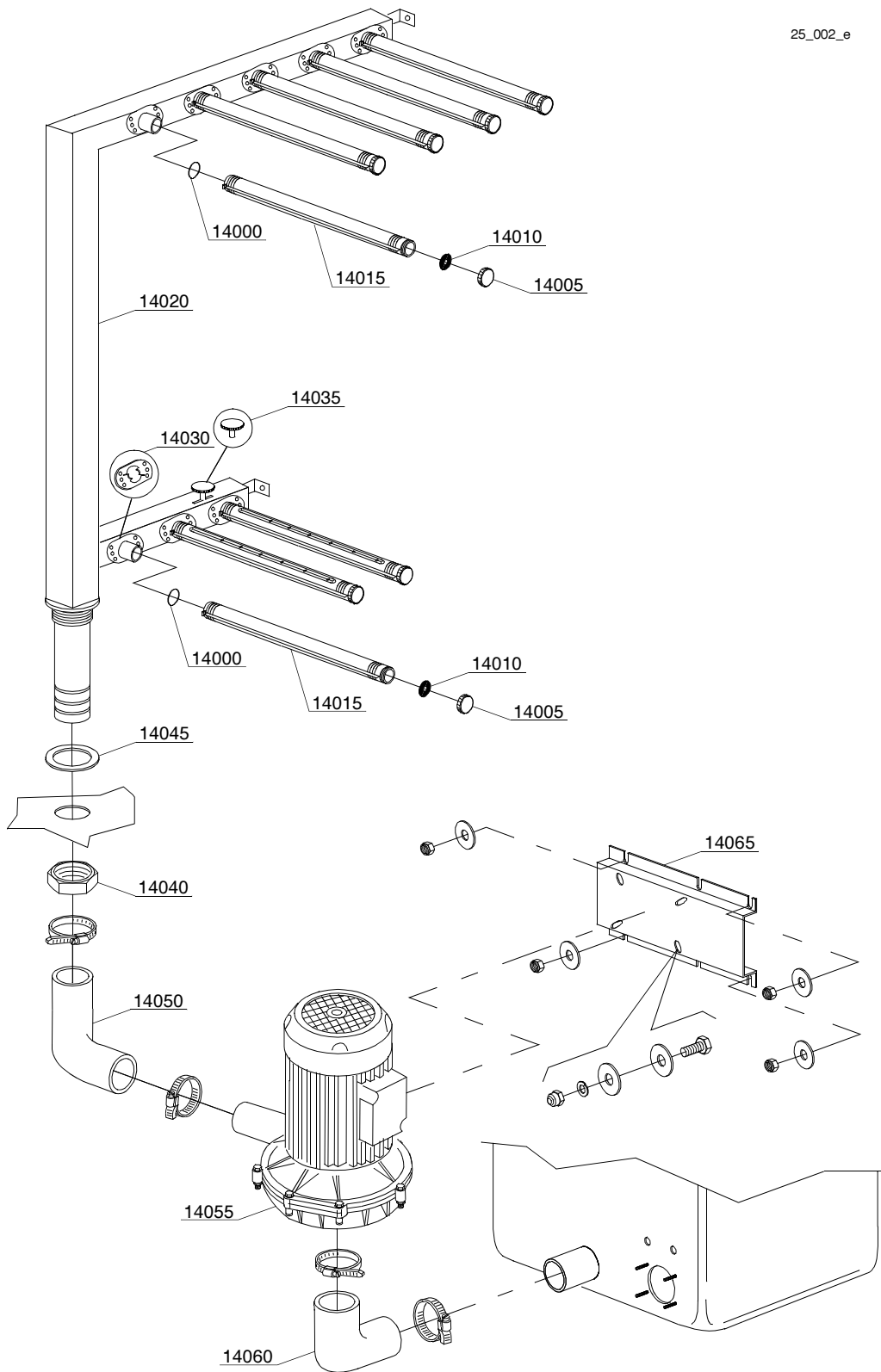
ID	P-code	Model	Type	Accessory	Voltage	Description
MODULE:DVGW valve						
12300	999900006		23	dvgw		DVGW valvola assembly



Spare parts

ID	P-code	Model	Type	Accessory	Voltage	Description
MODULE:Motorgear components module 1300						
12700	3003012		23			Conveyor roller
12705	2001046		23			Key
12710	3003116		23			Crank shaft
12715	13023		23			O-ring 131 (4093)
12720	13024		23			Oil splash guard DEM 40 TC 30x42x7 with spring
12725	3004131		23			Coupling part serie
12730	13015		23			O-ring 160 (6225)
12735	3004161		23			Protection disk
12740	3009060		23			Motorgear support
12745	3000210		23			Gear right 1:80
12745	3000211		23			Gear left 1:80
12750	11165		23			Screw
12755	3000107		23		A	Conveyor motor
12755	3000108		23			Conveyor motor
12755	3000110		23		A	Conveyor motor
12755	3000109		23	csa		Conveyor motor

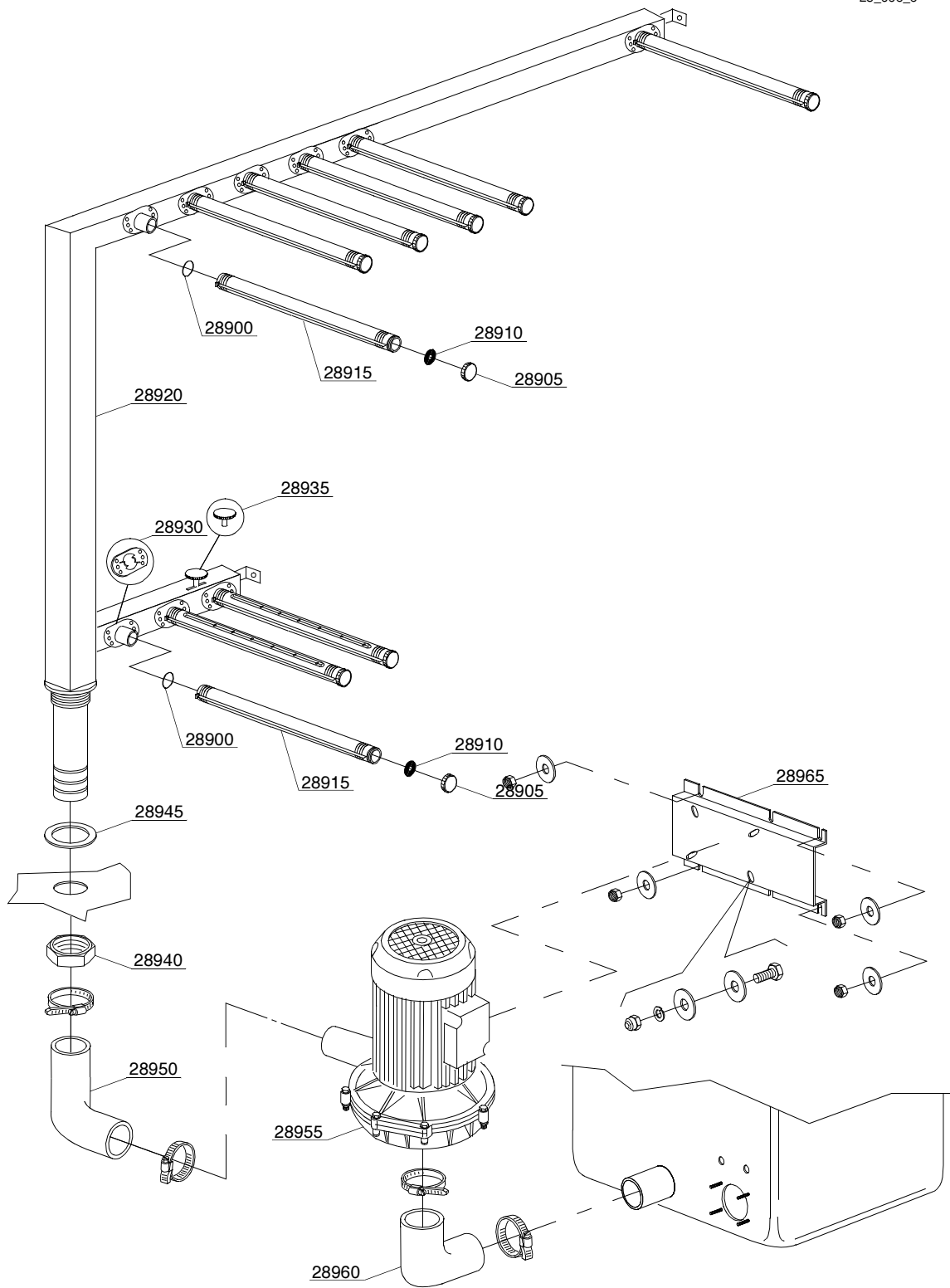
25_002_e



Spare parts

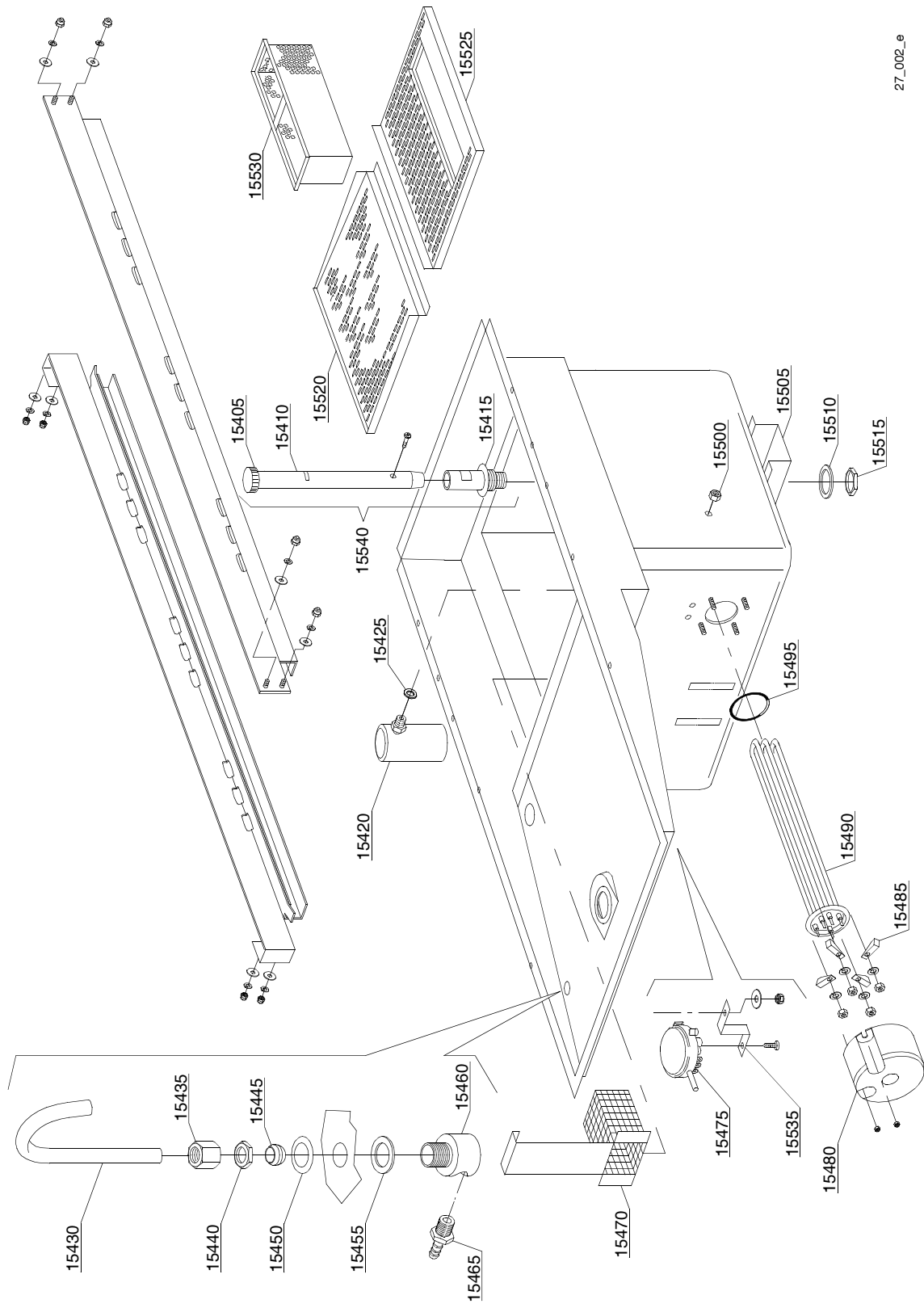
ID	P-code	Model	Type	Accessory	Voltage	Description
MODULE:Washing components 5+3						
14000	13023		23			O-ring 131 (4093)
14005	80304		23			Arm plug
14010	80305		23			Gasket
14015	3004147		23			Wash arm
14020	3004142		23			Right wash ramp
14020	3004143		23			Left wash ramp
14030	3004148		23			Arm connection flange
14035	3004146		23			Water flow adjuster
14040	10600012		23			Flat nut
14045	10200173/A		23			Gasket 75x58x3
14050	3004025		23			Elbow coupling press.
14055	88106		23		A	Pump 2 kW
14055	88106/B		23		H	Pump 2 kW - 220/380-415 V 60Hz
14055	88106/E		23			Pump 2 kW - 240/415 V 50Hz
14060	3002020		23			Suction elbow coupling
14065	3009148		23			Pump support

25_006_e



Spare parts

ID	P-code	Model	Type	Accessory	Voltage	Description
MODULE:Washing components 6+3						
28900	13023		23	lpw		O-ring 131 (4093)
28905	80304		23	lpw		Arm plug
28910	80305		23	lpw		Gasket
28915	3004147		23	lpw		Wash arm
28920	3004159		23	lpw		Right wash ramp
28920	3004160		23	lpw		Left wash ramp
28930	3004148		23	lpw		Arm connection flange
28935	3004146		23	lpw		Water flow adjuster
28940	10600012		23	lpw		Flat nut
28945	10200173/A		23	lpw		Gasket 75x58x3
28950	3004025		23	lpw		Elbow coupling press.
28955	88106		23	lpw	A	Pump 2 kW
28955	88106/B		23	lpw	H	Pump 2 kW - 220/380-415 V 60Hz
28955	88106/E		23	lpw		Pump 2 kW - 240/415 V 50Hz
28960	3002020		23	lpw		Suction elbow coupling
28965	3009148		23	lpw		Pump support
28965	3009113		23	lpw		Pump support

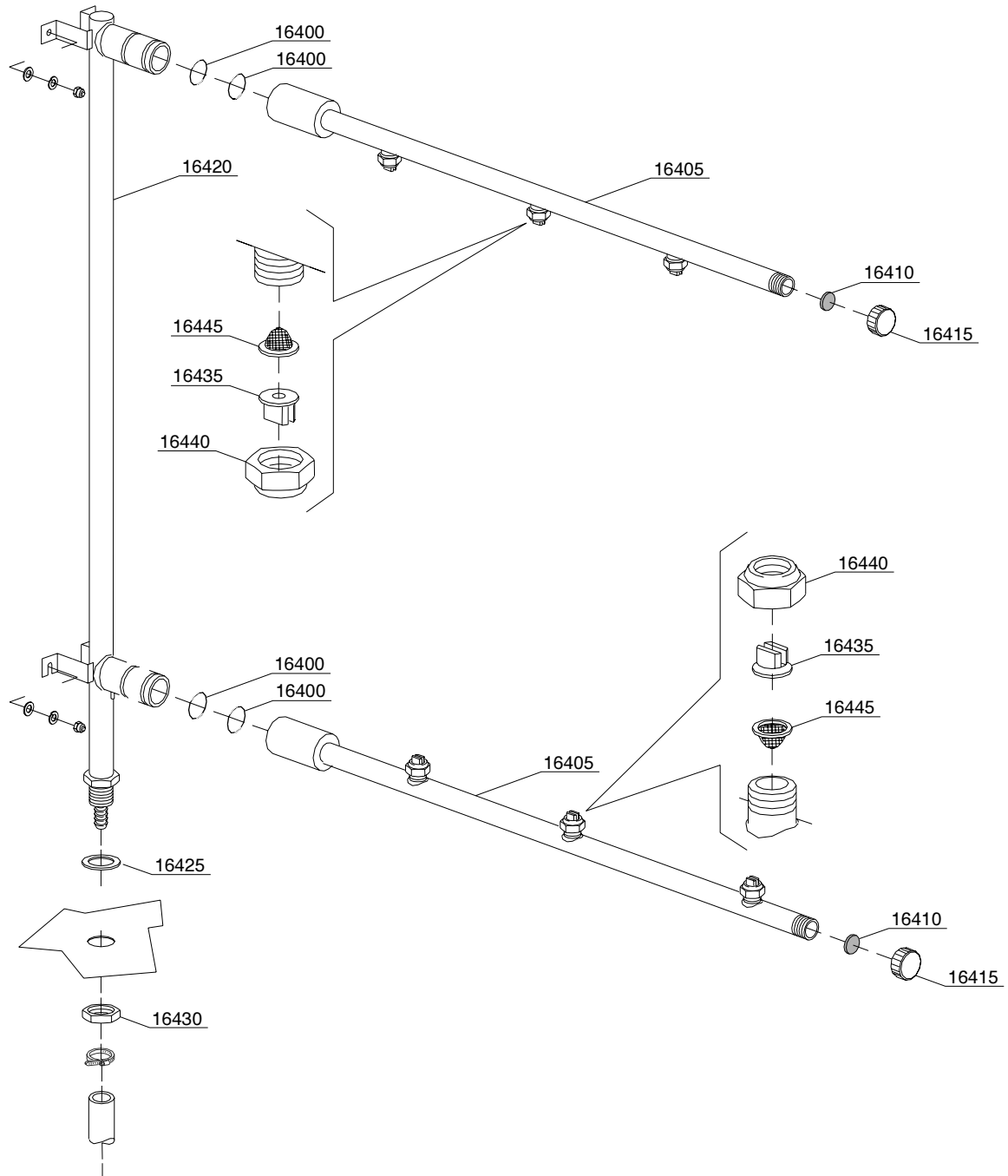


27_002_e

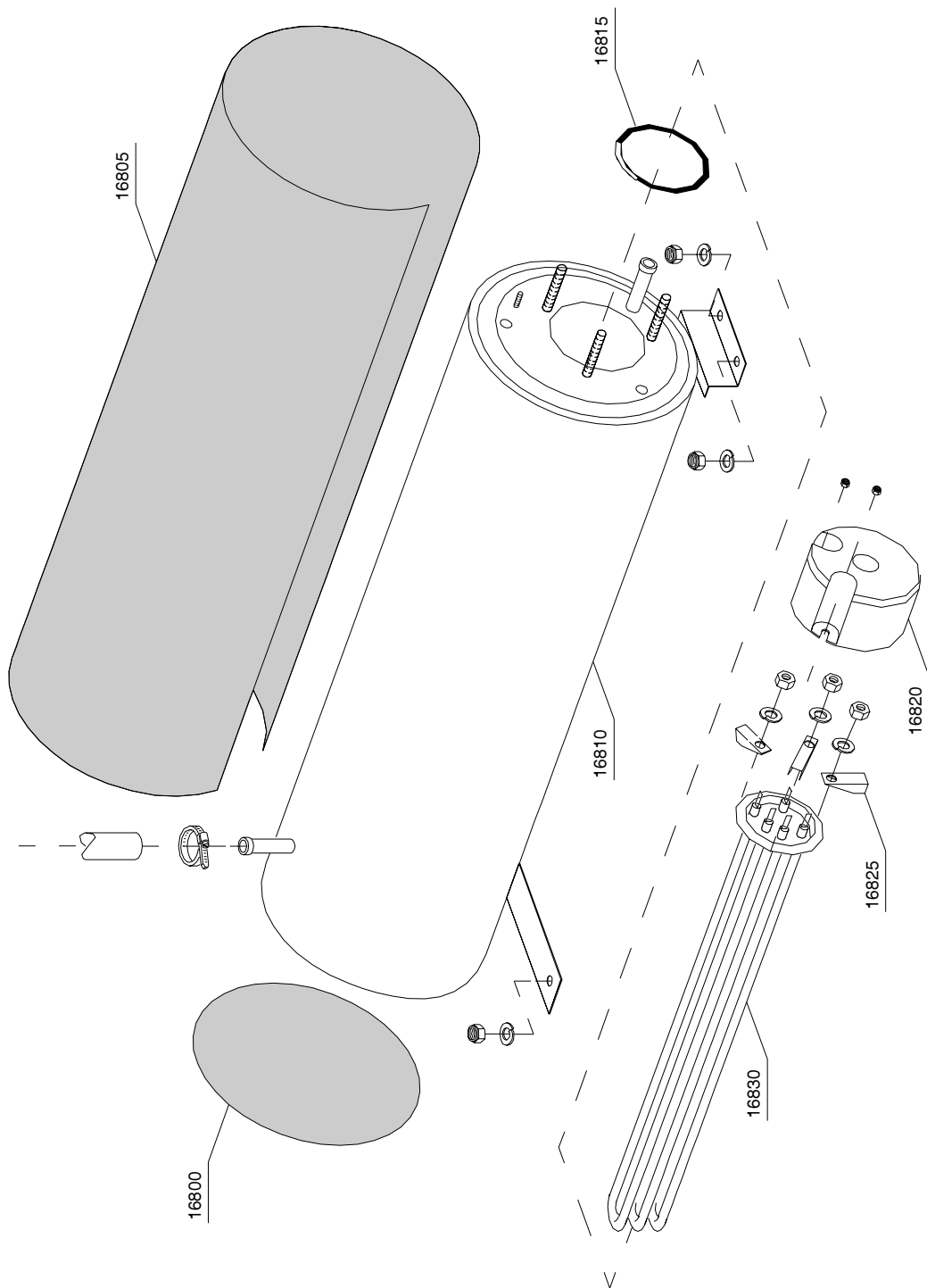
Spare parts

ID	P-code	Model	Type	Accessory	Voltage	Description
MODULE:Internal components washing module 1300						
15405	88105		23			Overflow pipe plug
15410	3004094		23			Overflow pipe
15410	2000477		23			Overflow pipe
15415	3004099		23			Overflow device support
15420	80106		23			Air trap
15425	13301		23			Gasket ROLMART 14x8x1.5
15430	3004054		23			Inlet pipe
15435	10600016		23			Nut
15440	10200101		23			Nut
15445	10200182		23			Cone
15450	3009387		23			Washer
15455	10200171		23			Gasket FASIT 25x17x2
15460	80231		23			Fitting
15465	12005		23			Hose holder
15470	3019071		23			Pump suction-filter
15475	88110		23			Pressure switch (260-30)
15480	75311		23			Heating element cover
15485	16045		23			Heating element support Ø6.3
15490	30001011		23		A	Heating element 9kW
15490	30001011/A		23		A	Heating element 12kW
15490	30001011/B		23		A	Heating element 14kW
15495	13015		23			O-ring 160 (6225)
15500	11702		23			Nut
15505	3009299		23			Tank support
15510	10200173		23			Gasket 75x58x3
15515	10600012		23			Flat nut
15520	3009567		23			Strainer plate, back
15525	3019074		23			Strainer plate front
15530	3019065		23			Scrap tray
15535	3009363		23			Pressure switch support
15540	3004101		23			Overflow pipe assembly
15540	3004115		23			Overflow pipe assembly

28_001_e

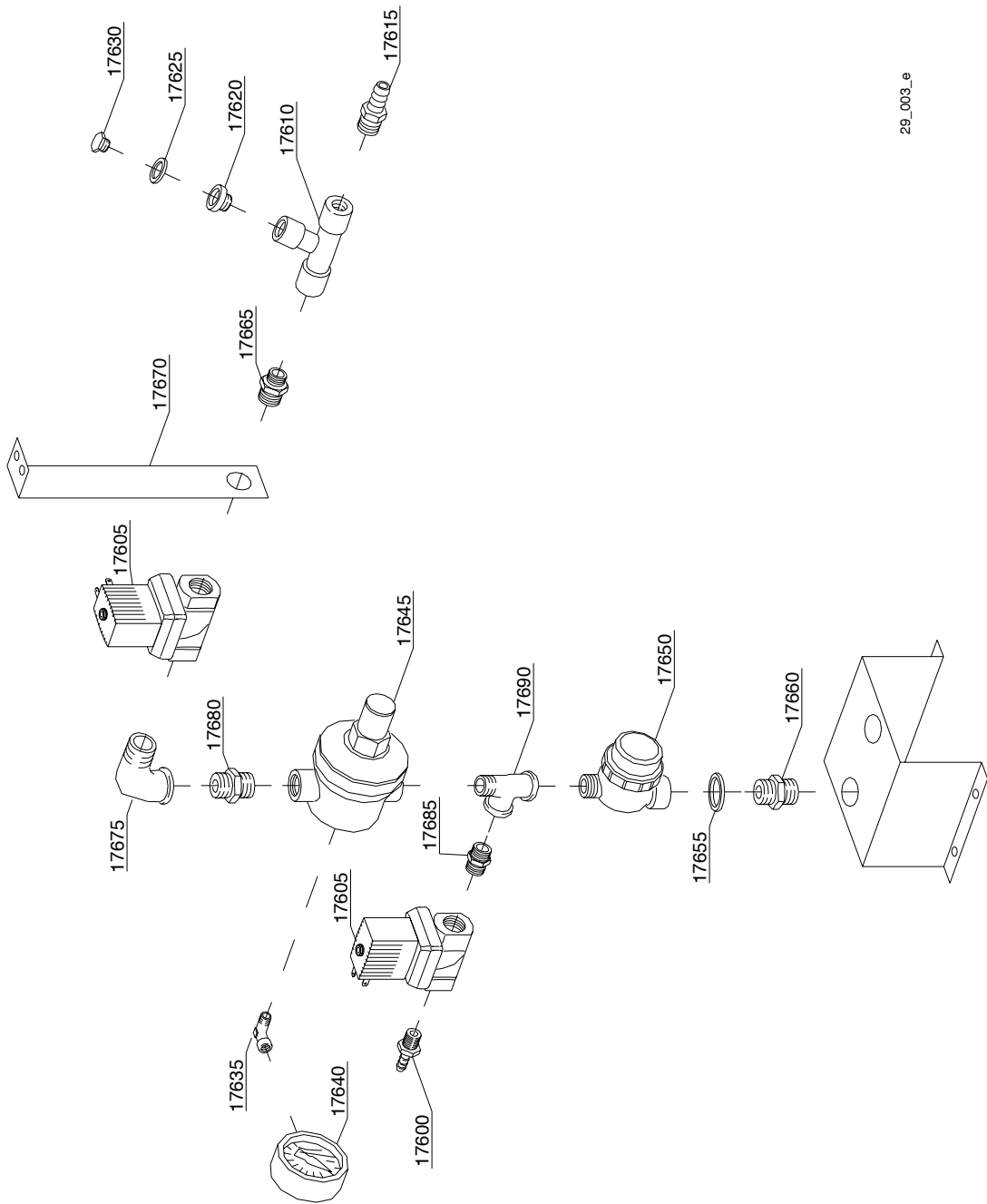


ID	P-code	Model	Type	Accessory	Voltage	Description
MODULE:Rinsing components						
16400	13025		23			O-ring 2081
16405	3003902		23			Rinsing arm 3 nozzle
16410	2002051		23			Gasket EPDM 17.5x1.5
16415	2002054		23			Plug for arm
16420	3003954		23			Rinsing ramp
16425	13326		23			Gasket 38x27x2
16430	2200103		23			Nut
16435	2200114		23			Nozzle
16440	2200116		23			Nut
16445	2200117		23			Filter



28_201_e

ID	P-code	Model	Type	Accessory	Voltage	Description
MODULE:Boiler components						
16800	75205		23			Bottom boiler insulating
16805	30002030		23			Boiler insulating
16810	3007014		23			Boiler
16810	3007012		23	cw		Boiler
16815	13015		23			O-ring 160 (6225)
16820	75311		23			Heating element cover
16825	16045		23			Heating element support Ø6.3
16830	30001011		23		A	Heating element 9kW
16830	30001011/A		23		A	Heating element 12kW
16830	30001011/B		23		A	Heating element 14kW

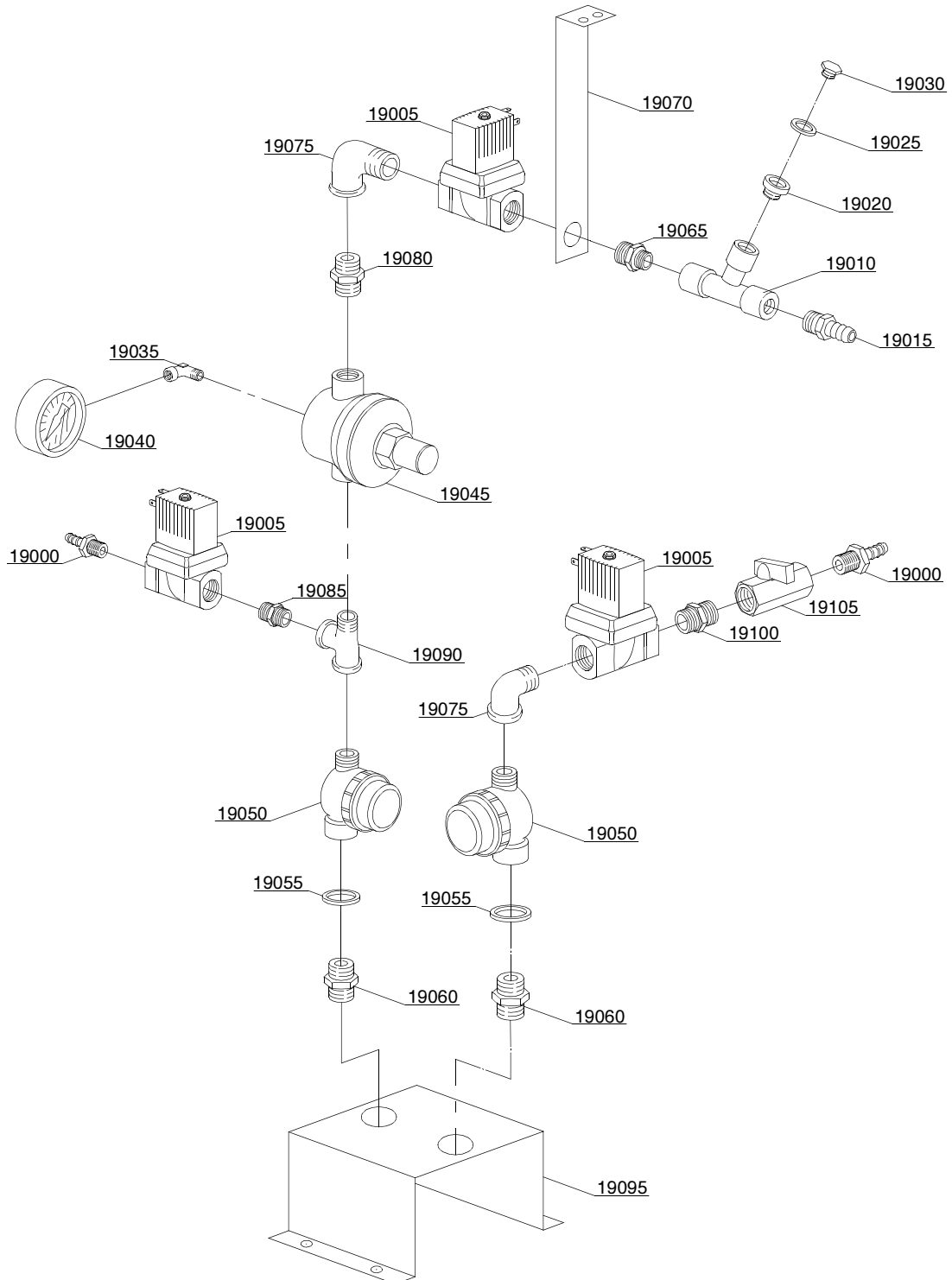


29_003_e

Spare parts

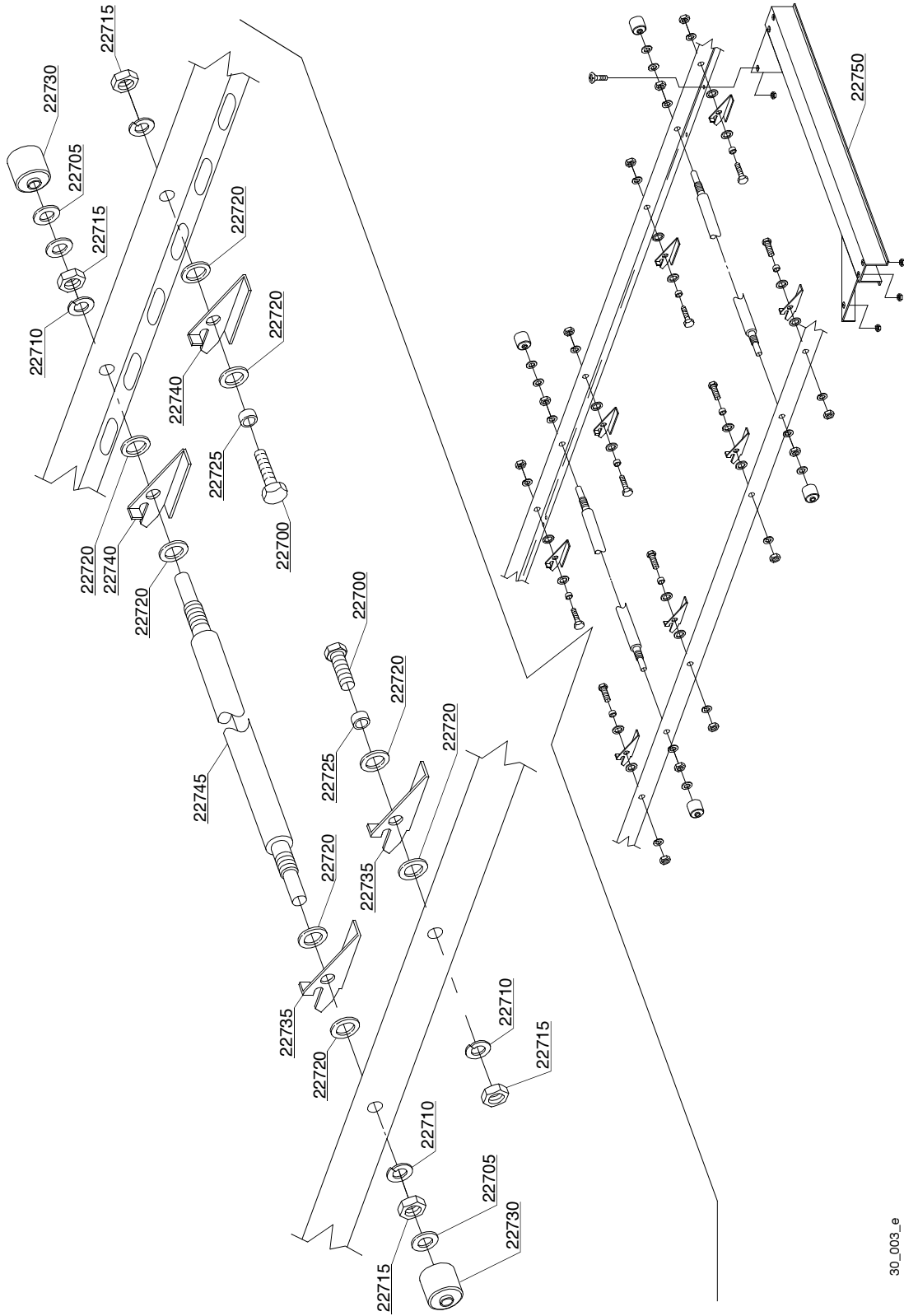
ID	P-code	Model	Type	Accessory	Voltage	Description
MODULE:Solenoid valves components: tank loading + rinsing						
17600	12023		23			Hose holder
17605	3002030		23			Solenoid valve
17610	12008		23			Connection T
17615	12005		23			Hose holder
17620	12032		23			Reduction nipples
17625	13309		23			Gasket 14x10x1.5
17630	12002		23			Plug
17635	12012		23			Elbow
17640	2000244		23			Pressure reduction gauge
17645	2000364		23			Pressure reduction valve
17650	2000121		23			Filter
17655	13326		23			Gasket 38x27x2
17660	12025		23			Nipples
17665	12033		23			Nipples
17670	3009585		23			Solenoid valve support
17675	3002141		23			Elbow
17680	10200208		23			Nipples
17685	3002145		23			Reduction nipples
17690	3002144		23			Connection T
MODULE:Solenoid valves components: tank loading + rinsing						
17600	12023		23	d9,d92,974,975		Hose holder
17605	3002030		23	d9,d92,974,975		Solenoid valve
17610	12008		23	d9,d92,974,975		Connection T
17615	12005		23	d9,d92,974,975		Hose holder
17620	12032		23	d9,d92,974,975		Reduction nipples
17625	13309		23	d9,d92,974,975		Gasket 14x10x1.5
17630	12002		23	d9,d92,974,975		Plug
17635	12012		23	d9,d92,974,975		Elbow
17640	2000244		23	d9,d92,974,975		Pressure reduction gauge
17645	2000364		23	d9,d92,974,975		Pressure reduction valve
17650	2000121		23	d9,d92,974,975		Filter
17655	13326		23	d9,d92,974,975		Gasket 38x27x2
17660	12025		23	d9,d92,974,975		Nipples
17665	12033		23	d9,d92,974,975		Nipples
17670	3009585		23	d9,d92,974,975		Solenoid valve support
17675	3002141		23	d9,d92,974,975		Elbow
17680	10200208		23	d9,d92,974,975		Nipples
17685	3002145		23	d9,d92,974,975		Reduction nipples
17690	3002144		23	d9,d92,974,975		Connection T

29_004_e



Spare parts

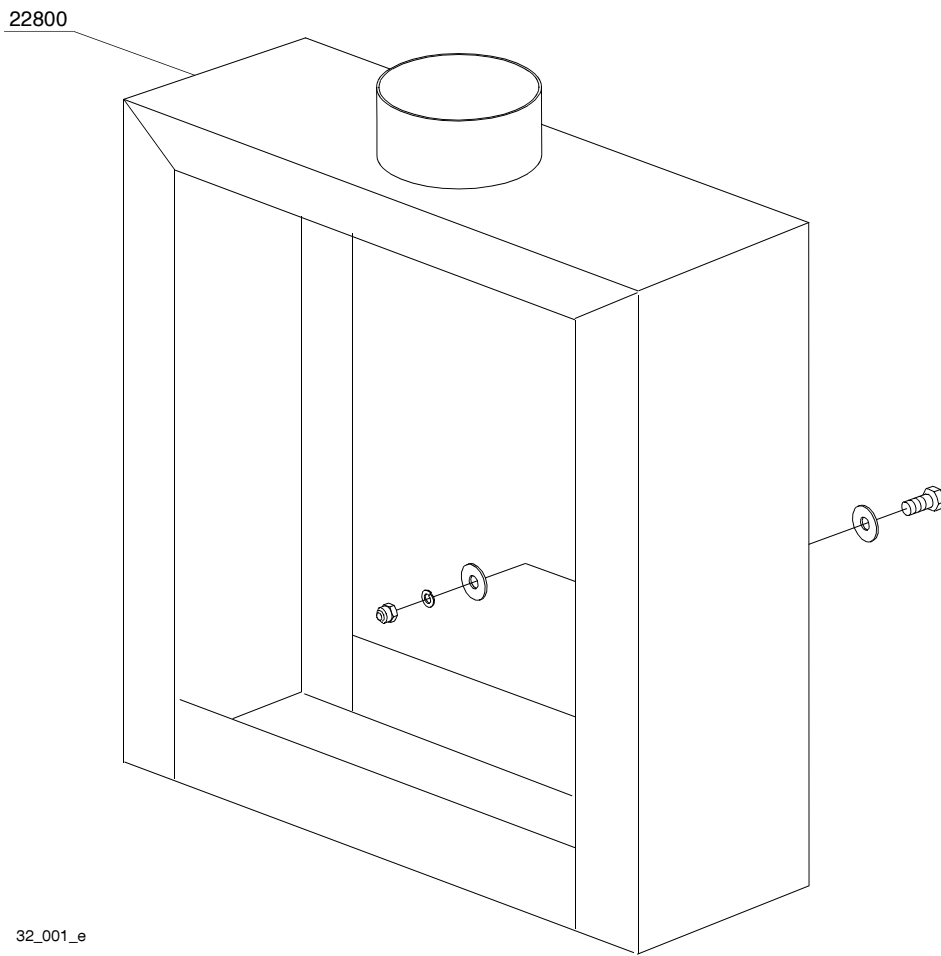
ID	P-code	Model	Type	Accessory	Voltage	Description
MODULE:Solenoid valves components: tank loading + rinsing + steam condenser						
19000	12023		23	sc9		Hose holder
19005	3002030		23	sc9		Solenoid valve
19010	12008		23	sc9		Connection T
19015	12005		23	sc9		Hose holder
19020	12032		23	sc9		Reduction nipples
19025	13309		23	sc9		Gasket 14x10x1.5
19030	12002		23	sc9		Plug
19035	12012		23	sc9		Elbow
19040	2000244		23	sc9		Pressure reduction gauge
19045	2000364		23	sc9		Pressure reduction valve
19050	2000121		23	sc9		Filter
19055	13326		23	sc9		Gasket 38x27x2
19060	12025		23	sc9		Nipples
19065	12033		23	sc9		Nipples
19070	3009585		23	sc9		Solenoid valve support
19075	3002141		23	sc9		Elbow
19080	10200208		23	sc9		Nipples
19085	3002145		23	sc9		Reduction nipples
19090	3002144		23	sc9		Connection T
19095	3009220		23	sc9		Solenoid valve support
19100	12027		23	sc9		Nipples
19105	3002140		23	sc9		Tap



30_003_e

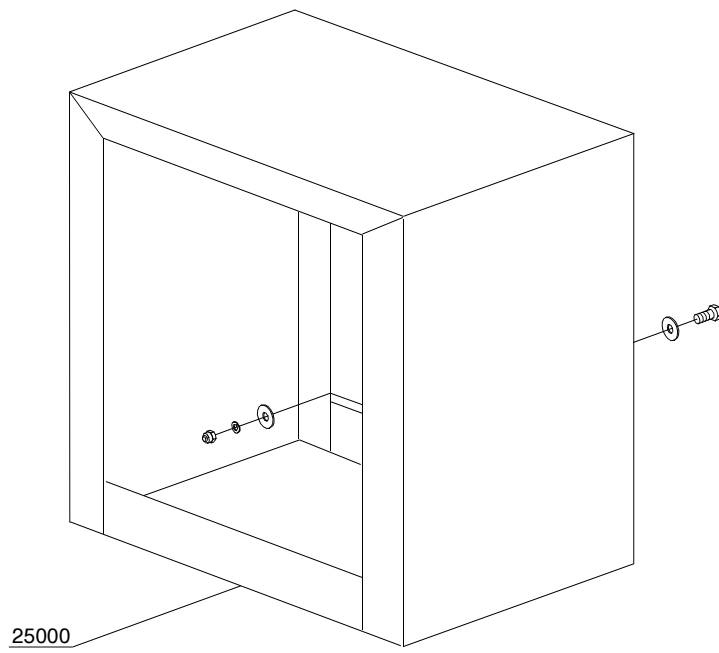
Spare parts

ID	P-code	Model	Type	Accessory	Voltage	Description
MODULE:Conveyor parts						
22700	11109		23			Screw
22705	11185		23			Washer
22710	11609		23			Split washer
22715	11719		23			Nut
22720	3003024		23			Washer
22725	3003025		23			Bush
22730	3003026		23			Bush
22735	3003100		23			Clip right
22740	3003101		23			Clip left
22745	3003010		23			Axis
22750	3009107		23			Guide



Spare parts

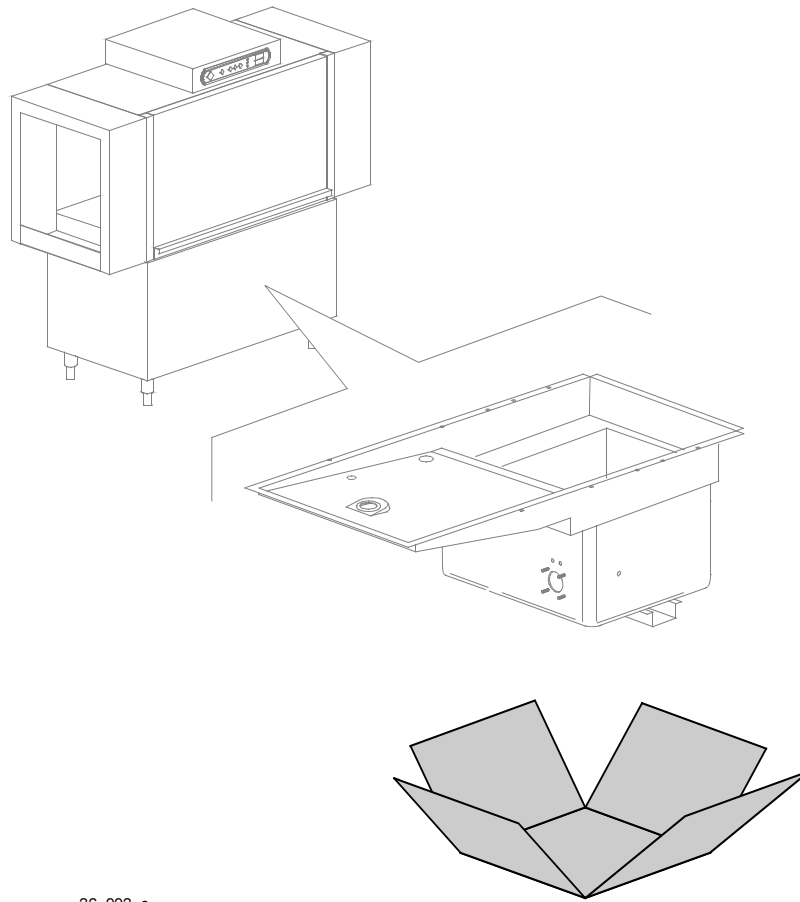
ID	P-code	Model	Type	Accessory	Voltage	Description
MODULE: Splash zone with cilinder - LC94						
22800	999910065		23	szc9		Splash zone with cilinder LC94



33_001_e

Spare parts

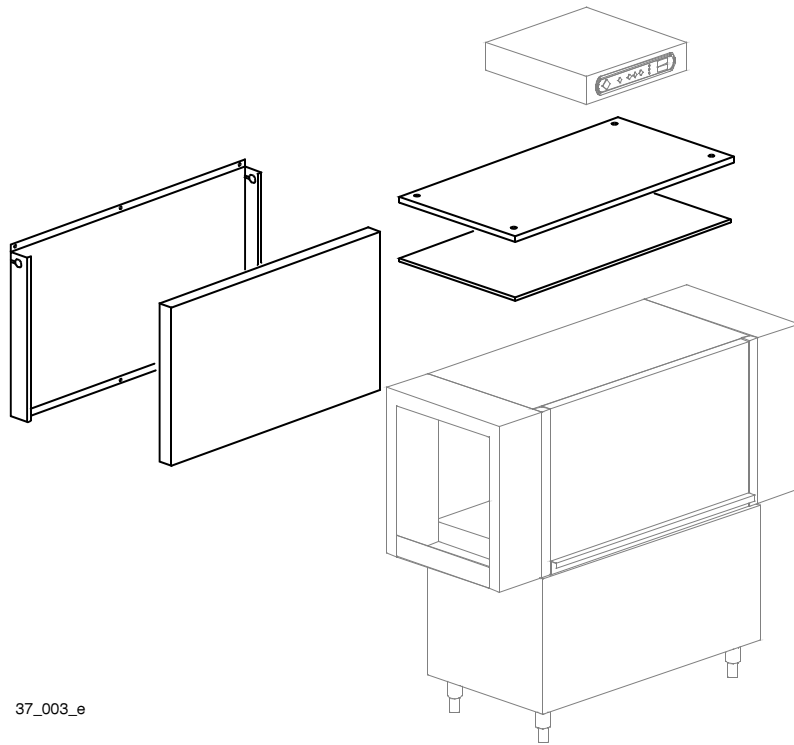
ID	P-code	Model	Type	Accessory	Voltage	Description
MODULE: Splash zone - L500						
25000	999910061		23	hr,lpw		Splash zone



36_003_e

Spare parts

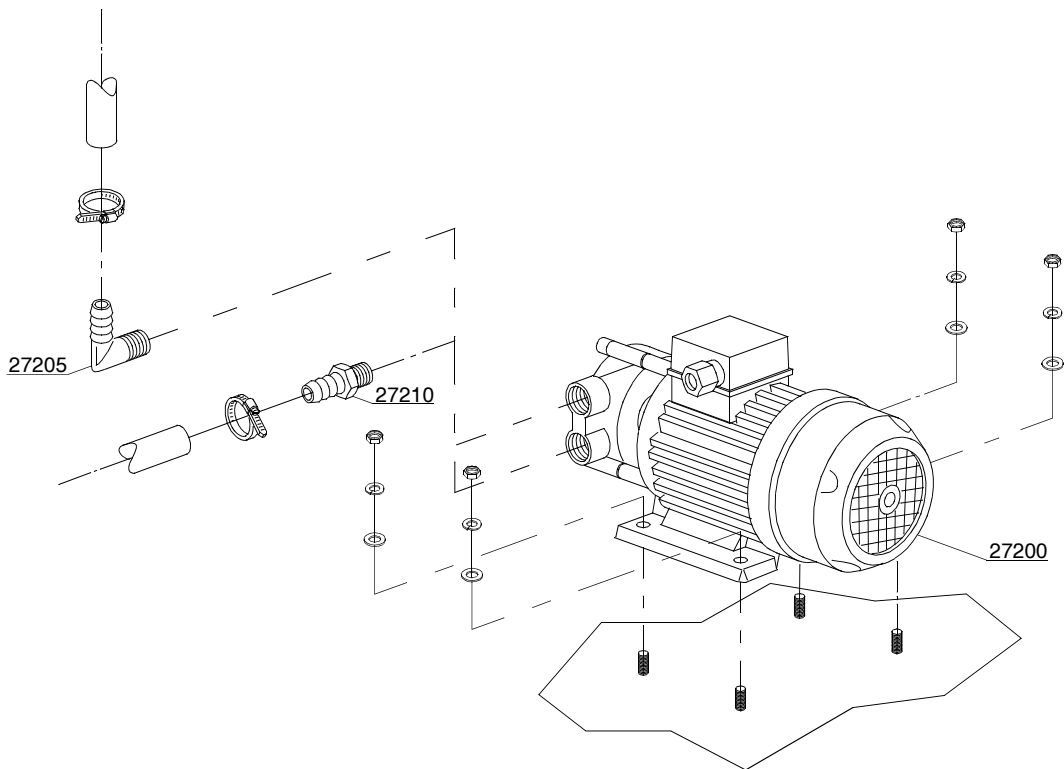
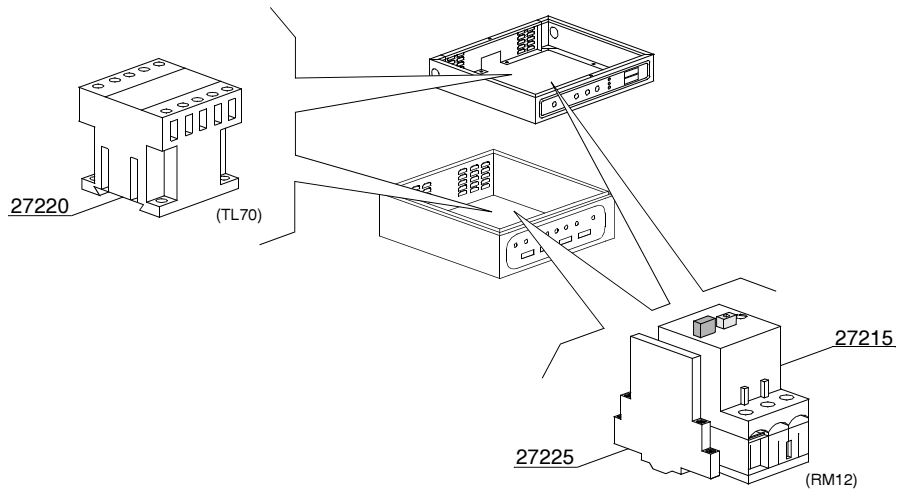
ID	P-code	Model	Type	Accessory	Voltage	Description
MODULE:Tank insulation						
	999910207		23	ti		Tank insulation
N.B.: kit suppliable only togeter with the machine, not after						



37_003_e

Spare parts

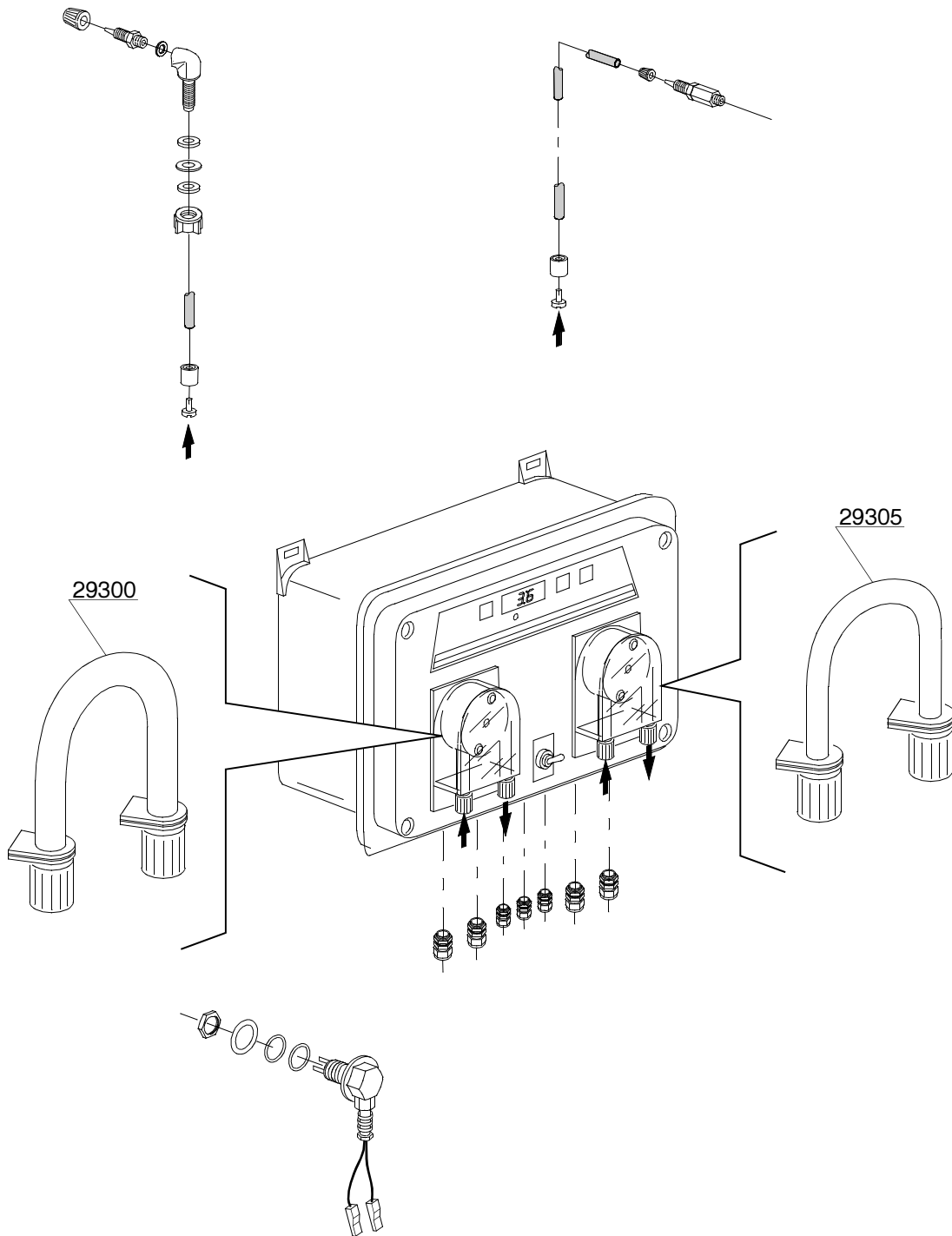
ID	P-code	Model	Type	Accessory	Voltage	Description
MODULE:Double skin						
	999910206		23	ds		Double skin assembly
N.B.: kit suppliable only togeter with the machine, not after						



38_001_e

Spare parts

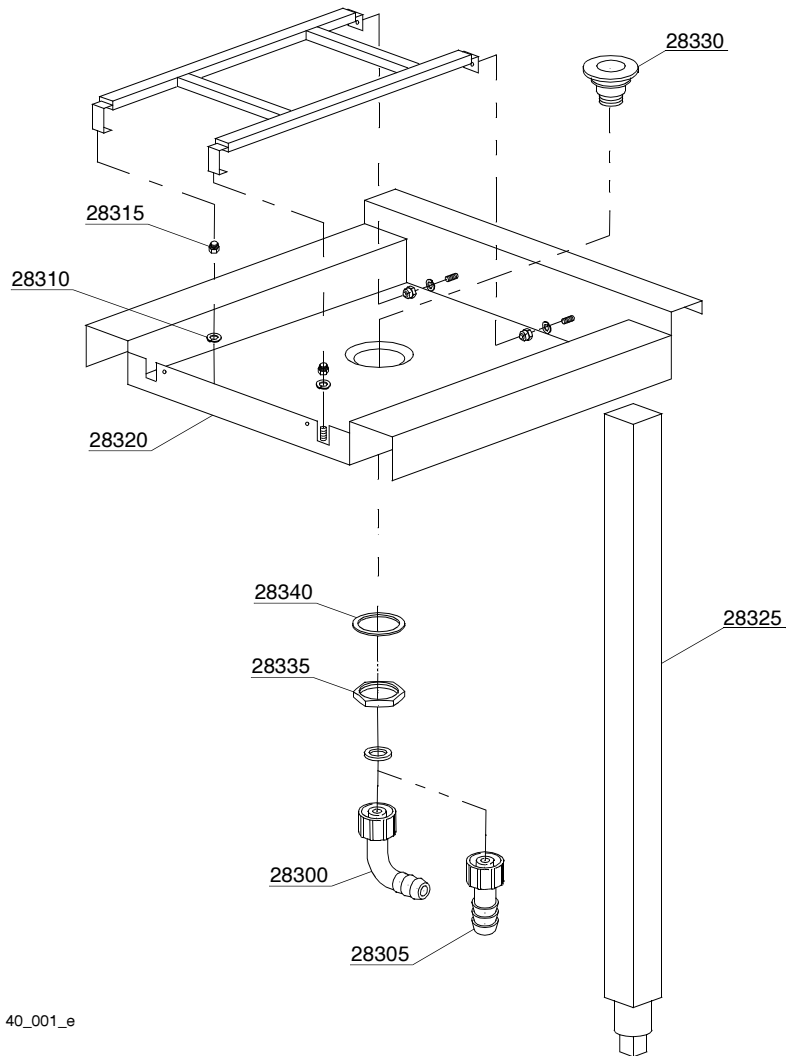
ID	P-code	Model	Type	Accessory	Voltage	Description
MODULE:Booster pump						
27200	15100		23	bp		Booster pump
27205	12030		23	bp		Elbow pipe fitting
27210	10221311		23	bp		Pipe fitting
27215	2000394		23	bp		Motorprotector 2,5-4A
27220	2000370		23	bp		Contactore MC9
27225	3006080		23	bp		Auxiliary contact LMS25



39_001_e

Spare parts

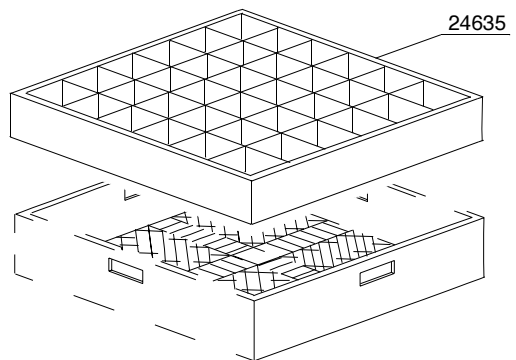
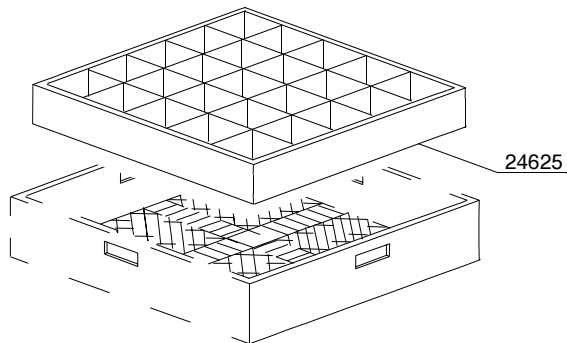
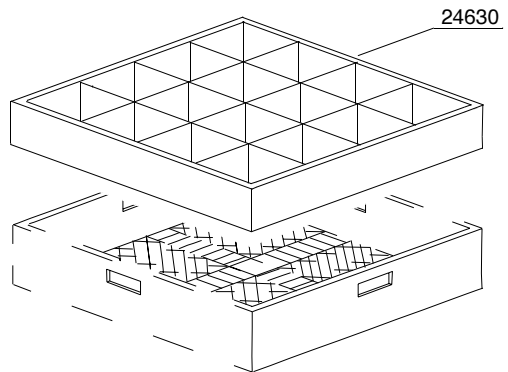
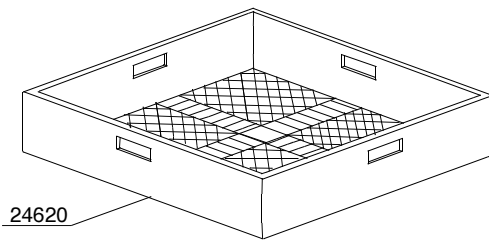
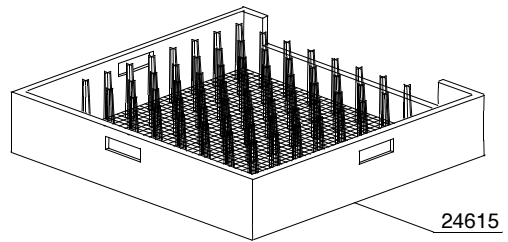
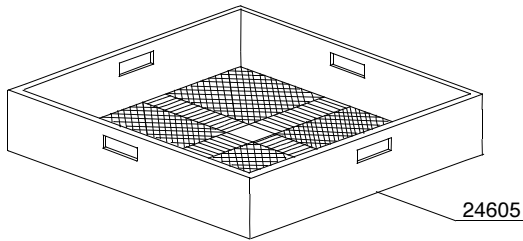
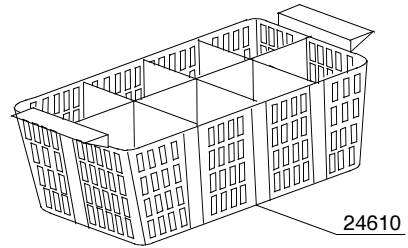
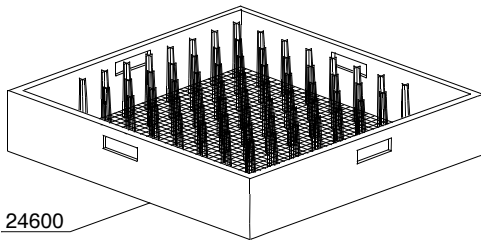
ID	P-code	Model	Type	Accessory	Voltage	Description
MODULE:Dispensers SDN-3						
	15181		23	sdn3		Dispensers assembly SDN-3
29300	15185		23	sdn3		Pipe fitting for detergent dispenser
29305	15186		23	sdn3		Pipe fitting for rinse dispenser



40_001_e

Spare parts

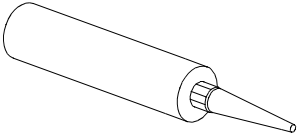
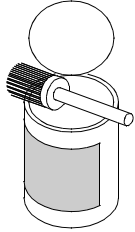
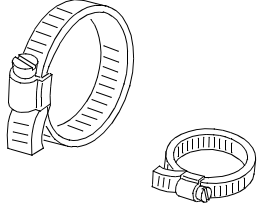
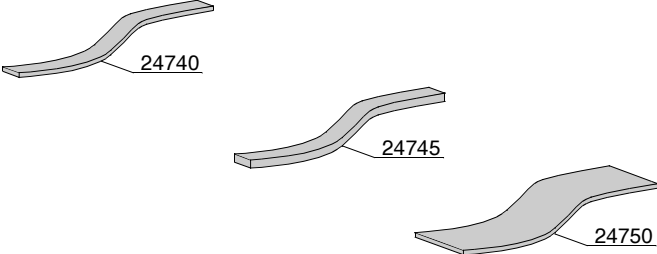
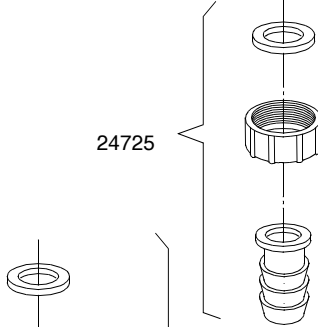
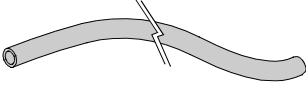
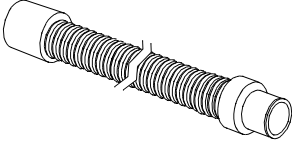
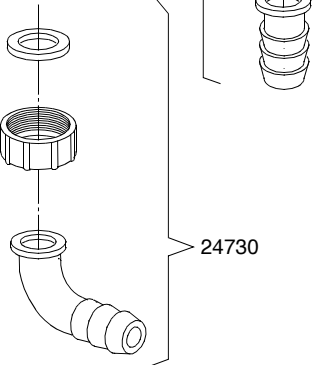
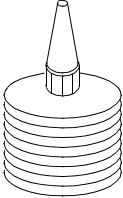
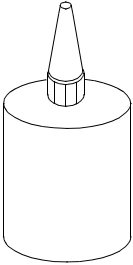
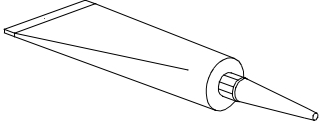
ID	P-code	Model	Type	Accessory	Voltage	Description
MODULE:Angle loading table 90° - LC 98						
28300	15613		23	98		"1"" 1/4x30 nylon elbow"
28305	15613/A		23	98		Fitting exauster
28310	3003024		23	98		Washer
28315	3003025		23	98		Bush
28320	3009250		23	98		Platform
28325	3009608		23	98		Leg assembly
28330	10200113		23	98		Floor drain
28335	10200114		23	98		Floor drain nut
28340	10200173		23	98		Gasket 75x58x2



00_001_e

Spare parts

ID	P-code	Model	Type	Accessory	Voltage	Description
MODULE:Baskets						
24600	C40		23			Place conveyor basket
24605	C41		23			Tight mesh conveyor basket for cutlery
24610	C47		23			Small 8 place cutlery basket
24615	C43		23			535mm tray conveyor basket
24620	C44		23			Mod.07 universal conveyor basket
24625	C112		23			5x5 vertical glass conveyor basket
24630	C113		23			4x4 vertical glass conveyor basket
24635	C114		23			6x6 vertical glass conveyor basket

 <p>24700</p>	 <p>24705</p>	 <p>24760</p>
 <p>24740</p> <p>24745</p> <p>24750</p>		 <p>24725</p>
 <p>24755</p>	 <p>24735</p>	 <p>24730</p>
 <p>24765</p>	 <p>24770</p>	 <p>24775</p>

Spare parts

ID	P-code	Model	Type	Accessory	Voltage	Description
MODULE:Accessory						
24700	---		23			Silicone UNI 9610 - UNI 9611
24705	---		23			Grease for higt temperatures CCIAA 629224
24705	---		23			Grease for food - Loctite 8104 Cat. N° 26560
24725	15613/A		23			Fitting exauster
24730	15613		23			"1"" 1/4x30 nylon elbow"
24735	10727		23			Exauster pipe Ø 24mm
24735	10200112		23			Exauster pipe Ø 32mm
24740	15750		23			20x2 self-stick mousse
24745	15751		23			20x4 self-stick mousse
24750	15752		23			60x2 self-stick mousse
24755	2907350		23			Flexible pipe EPDM Ø12
24755	2907352		23			Flexible pipe EPDM Ø12 - WRAS
24755	2907353		23			Flexible pipe EPDM Ø12
24760	2902050		23			Steel hose clamp 15/24
24760	11806		23			Steel hose clamp 25/40
24760	11810		23			Steel hose clamp 40/60
24760	11824		23			Steel hose clamp 50/70
24760	2902491		23			Steel hose clamp 60/80
24765	---		23			-50°C +150°C threads dope
24770	---		23			Loctite 542 Cat.N° 54246 - DIN-DVGW 86.02 e 125
24770	---		23			Loctite 243 Cat.N° 18937 - 19386
24775	---		23			Loctite 511 Cat.N° 24003 - DIN-DVGW 86.01 e 125
24775	---		23			Loctite 577 Cat.N° 25392