

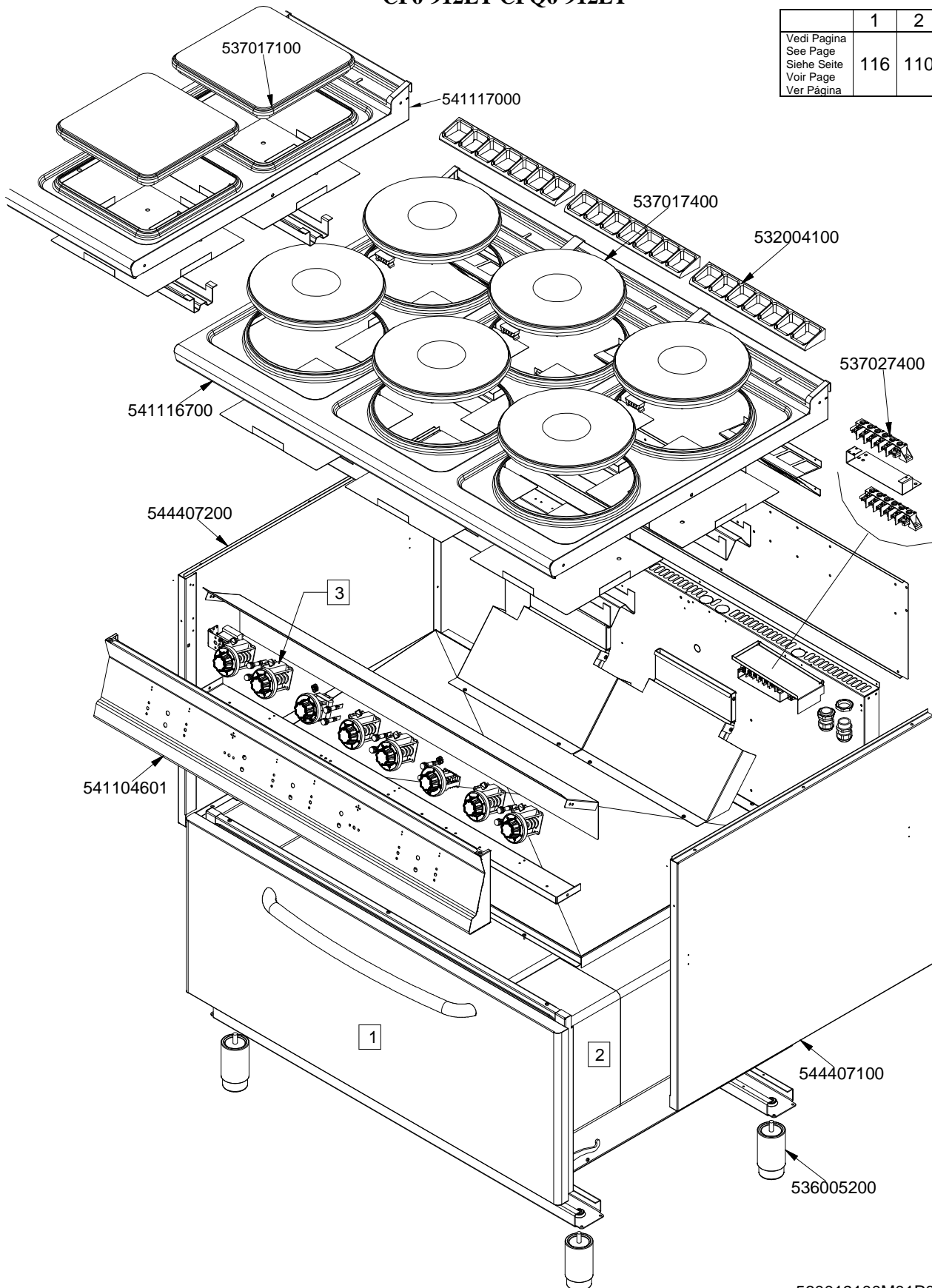
# IPERLOTUS 90

CUCINE / RANGES / HERDE / CUISINIÈRES

CF...6-912

CF6-912ET CFQ6-912ET

	1	2	3
Vedi Pagina			
See Page	116	110	124
Siehe Seite			
Voir Page			
Ver Pàgina			



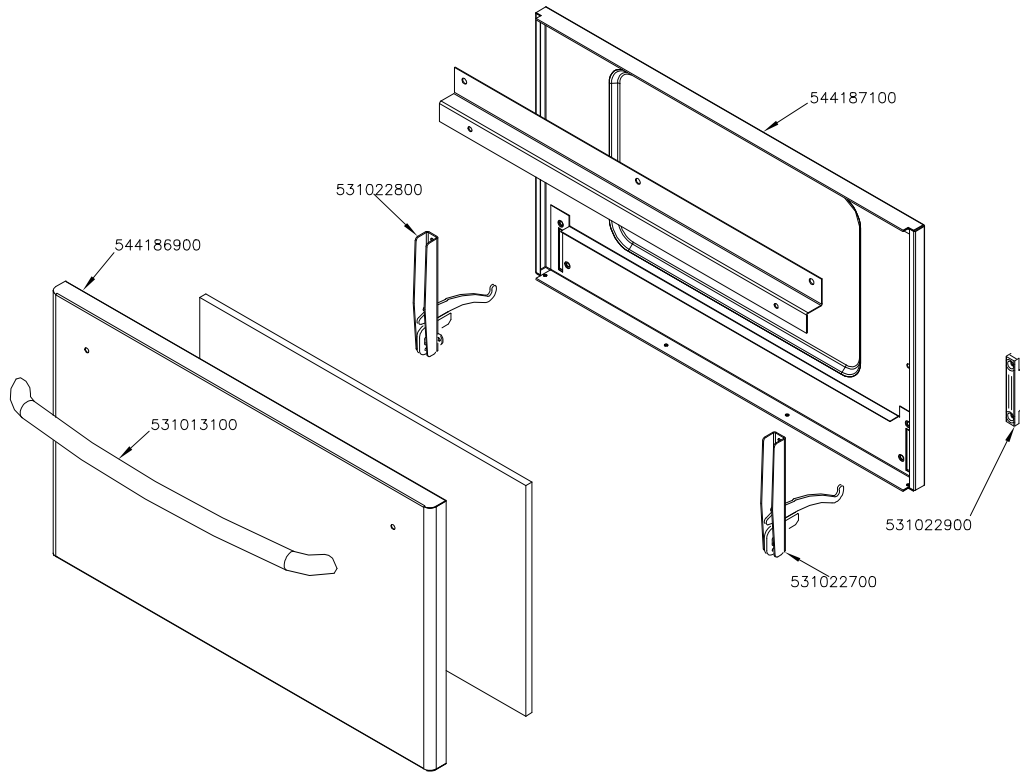
560019100M01P00.

# IPERLOTUS 90

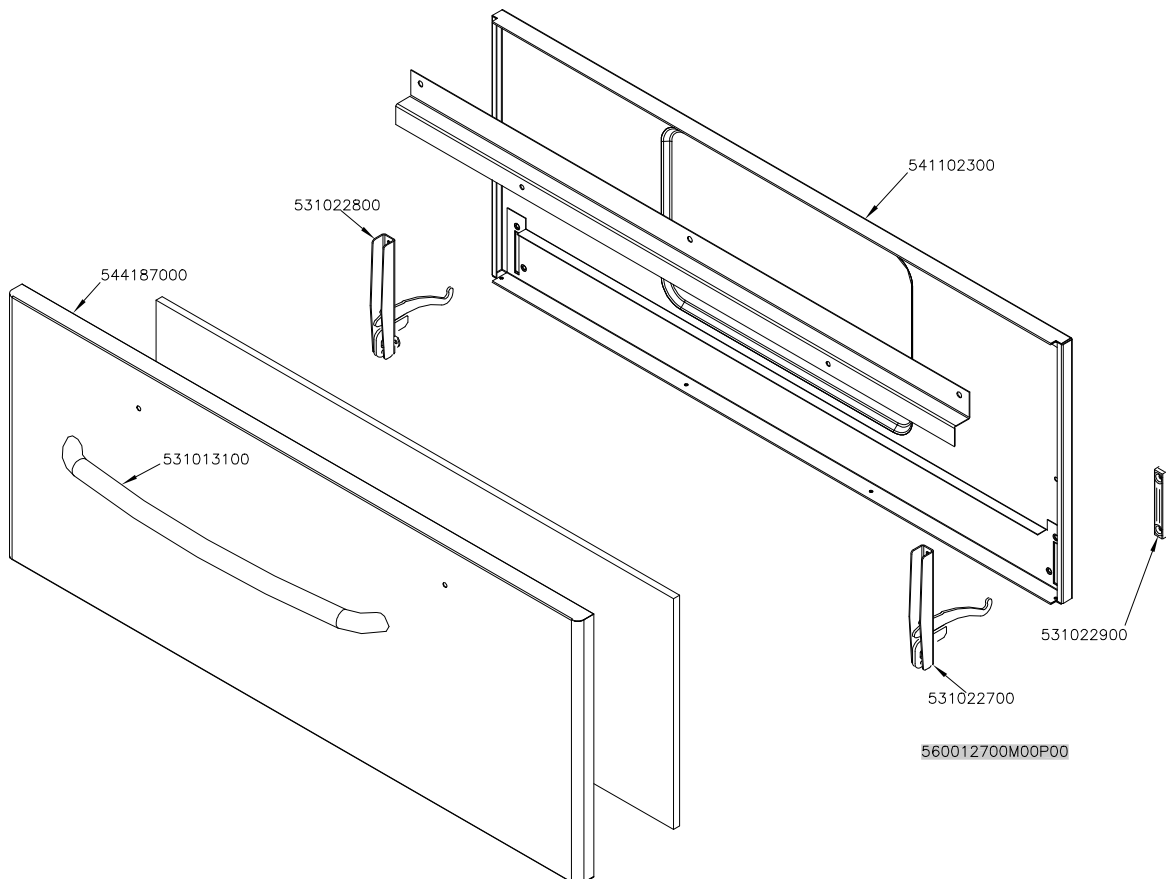
CUCINE / RANGES / HERDE / CUISINIÈRES  
FORNO / OVEN / BACKOFEN / FOUR

## PORTE / DOORS / TÜREN / PORTES

GN 2/1



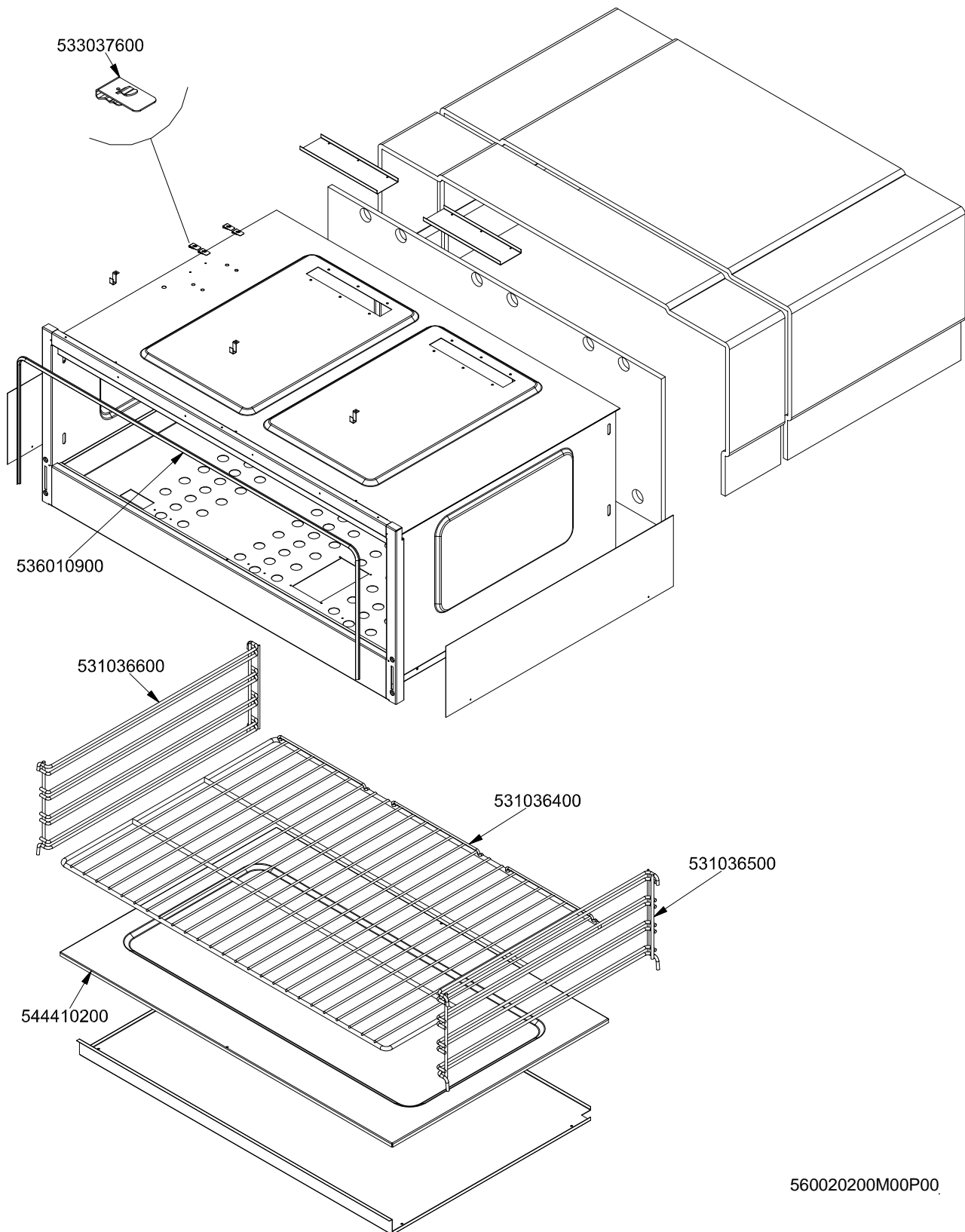
GN 3/1



# IPERLOTUS 90

CUCINE / RANGES / HERDE / CUISINIÈRES  
FORNO / OVEN / BACKOFEN / FOUR

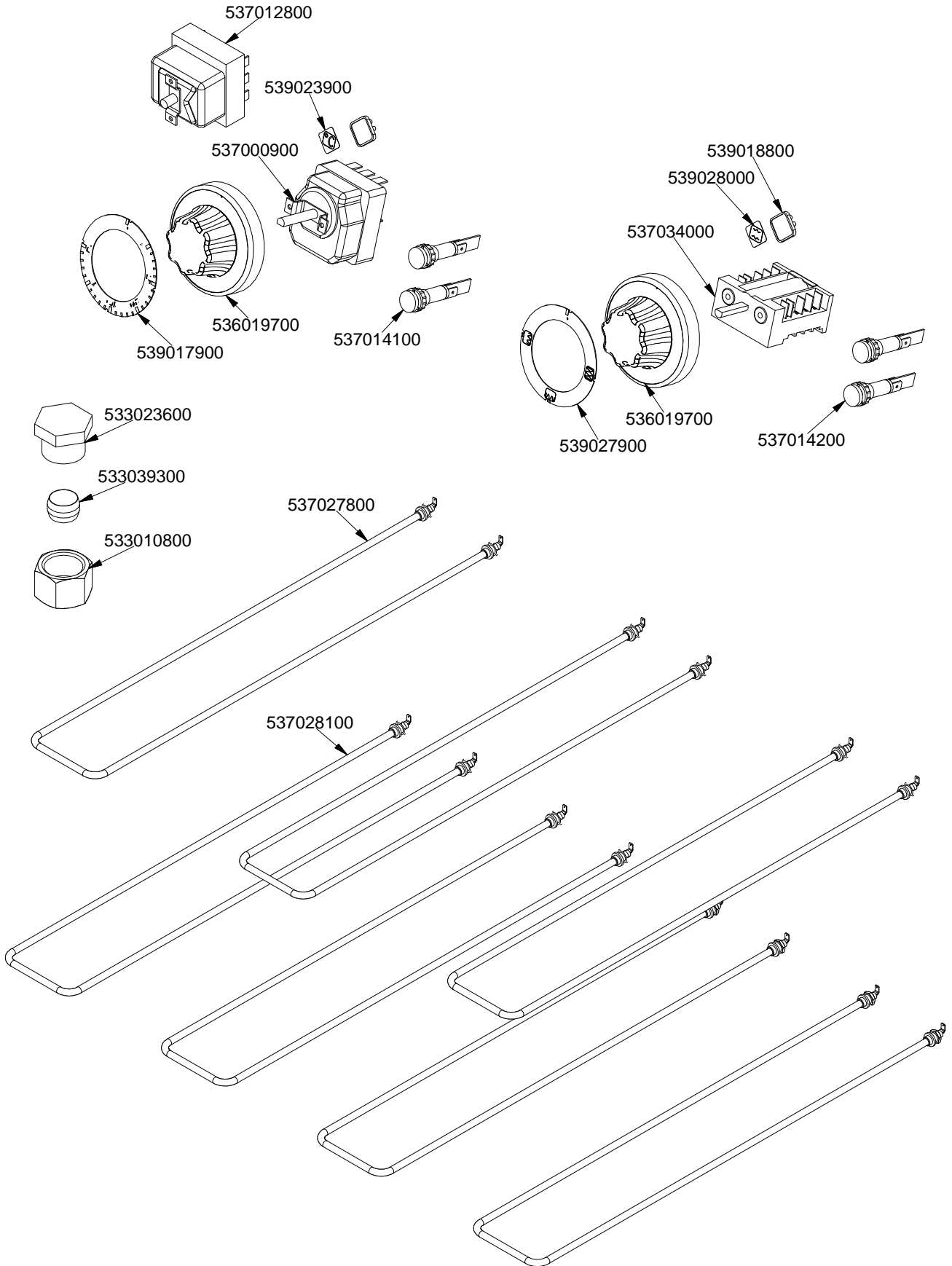
ELETTRICO / ELECTRICAL / ELEKTRO / ELECTRIQUE / GN 3/1



# IPERLOTUS 90

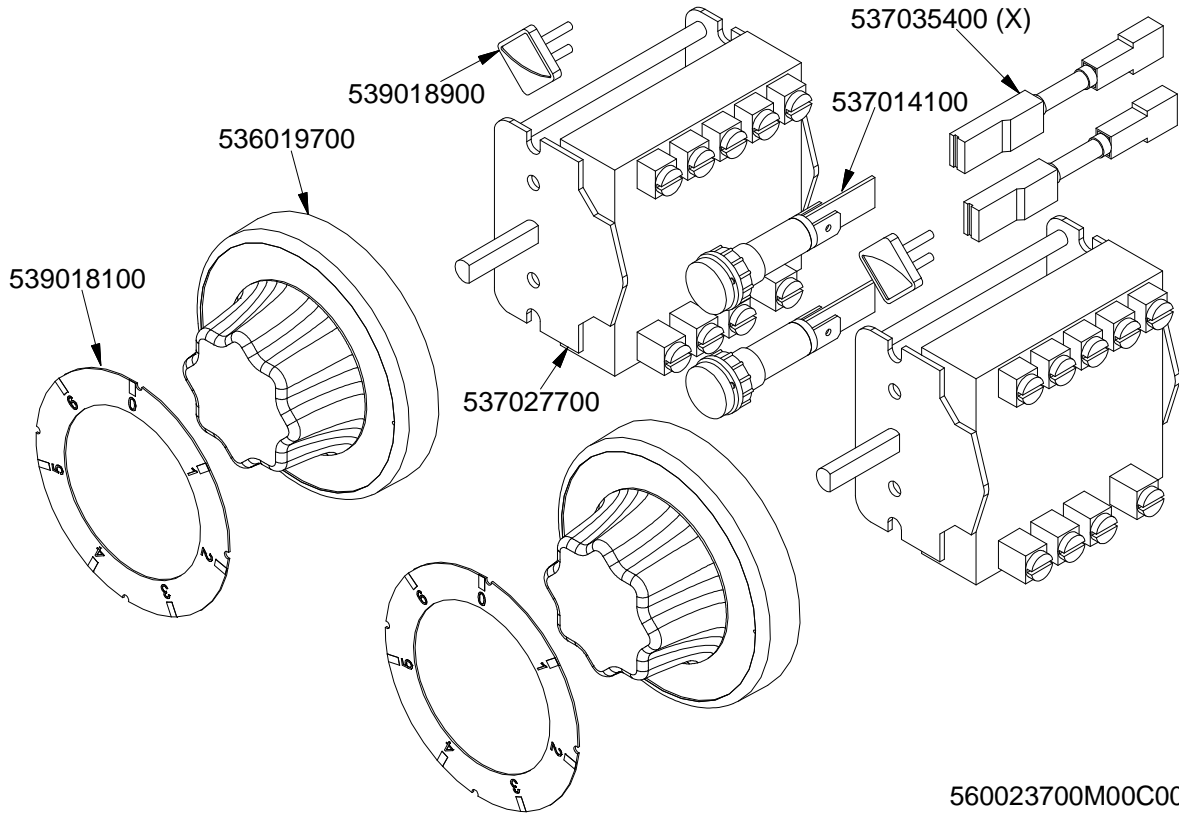
CUCINE / RANGES / HERDE / CUISINIÈRES  
FORNO / OVEN / BACKOFEN / FOUR

ELETTORICO / ELECTRICAL / ELEKTRO / ELECTRIQUE / GN 3/1



560020301M00P00

**PC-E PC-EX**



560023700M00C00

Page	Pos	Code	Description
001		536005200	INOX LEG 2" 120-180 M10
001		544407100	RIGHT SIDE PANEL RANGE 90 LINE
001		541104601	CONTROL PANEL CF6-712E CF6-712EV
001		544407200	RIGHT SIDE PANEL RANGE 70 LINE
001		537017400	ELECTRICAL PLATE D.300 W3500 V230
001		532004100	FLUE GRID L=370 70LINE (RAF)
001		541116700	UPPER PLATE PC-912ET CF6-912ET/ETV
001		537027400	TERMINAL BLOCK THREEPHASE 40A
001		537017100	PLATE 300X300 W4000 V230
001		541117000	UPPER PLATE PCQ-912E CFQ6-912ET/ETV
002		544187100	OVEN INNER DOOR GN 2/1 S.70
002		531022800	LEFT OVEN DOOR HINGE S.70
002		544156900	
002		531013100	OVEN DOOR HANDLE OF 70/90-LINE
002		531022900	HINGE DOOR WHEEL HOLDER S.70
002		531022700	RIGHT OVEN DOOR HINGE 70LINE
002		541102300	GAS OVEN INNER DOOR GN 3/1 S.70
002		531072800	
002		544187000	OVEN DOOR GN 3/1 S.70
003		533037600	LOCK SPRING FOR BULB
003		536010900	GAS OVEN GASKET GN 3/1 (1620)
003		531036600	LHD RACK HOLDER FOR OVEN S.90
003		531036400	OVEN GRID GN 3/1 FOR 90 LINE
003		531036500	RHD RACK HOLDER FOR OVEN S.90
003		544410200	90 ELECTRICAL OVEN BOTTOM GN3/1
004		537012800	SAFETY THERMOSTAT 420°C THREEPHASE
004		533023600	TAP PLUG §10 M16*1, 5CH19
004		533039300	BICONE §10
004		533010800	TUBE NUT D.10 M16*1,5
004		537027800	OVENUPPER HEATING EL. W800 V230 90L
004		537028100	OVEN LOWER HEATING EL.W700 V230 90L
004		539027900	ADHESIV.GRADUATED DISC FOR SELECTOR
004		536019700	BLACK KNOB §70 PIN §6*5
004		537014100	WHITE WARNING LIGHT 250V
004		539017900	ADHESIVE GRADUATED DISC FOR KNOB
004		537014200	GREEN WARNING LIGHT 250V
004		537034000	
004		539028000	SELECTOR SIGN PLATE FOR OVEN
004		537000900	THERMOSTAT 50-320°C THREEPHASE
004		539018800	INDEX FOR OVEN KNOB
004		539023900	SIGN PLATE FOR OVEN TEMPERATURE
005		539018100	ADHESIVE GRADUATED DISC FOR KNOB
005		536019700	BLACK KNOB §70 PIN §6*5
005		539018900	INDEX FOR KNOB
005		537027700	COMMUTATOR 7 POSITIONS S.43 32A
005		537014100	WHITE WARNING LIGHT 250V
005		537035400	HEATING ELEMENT 00003W 330KO