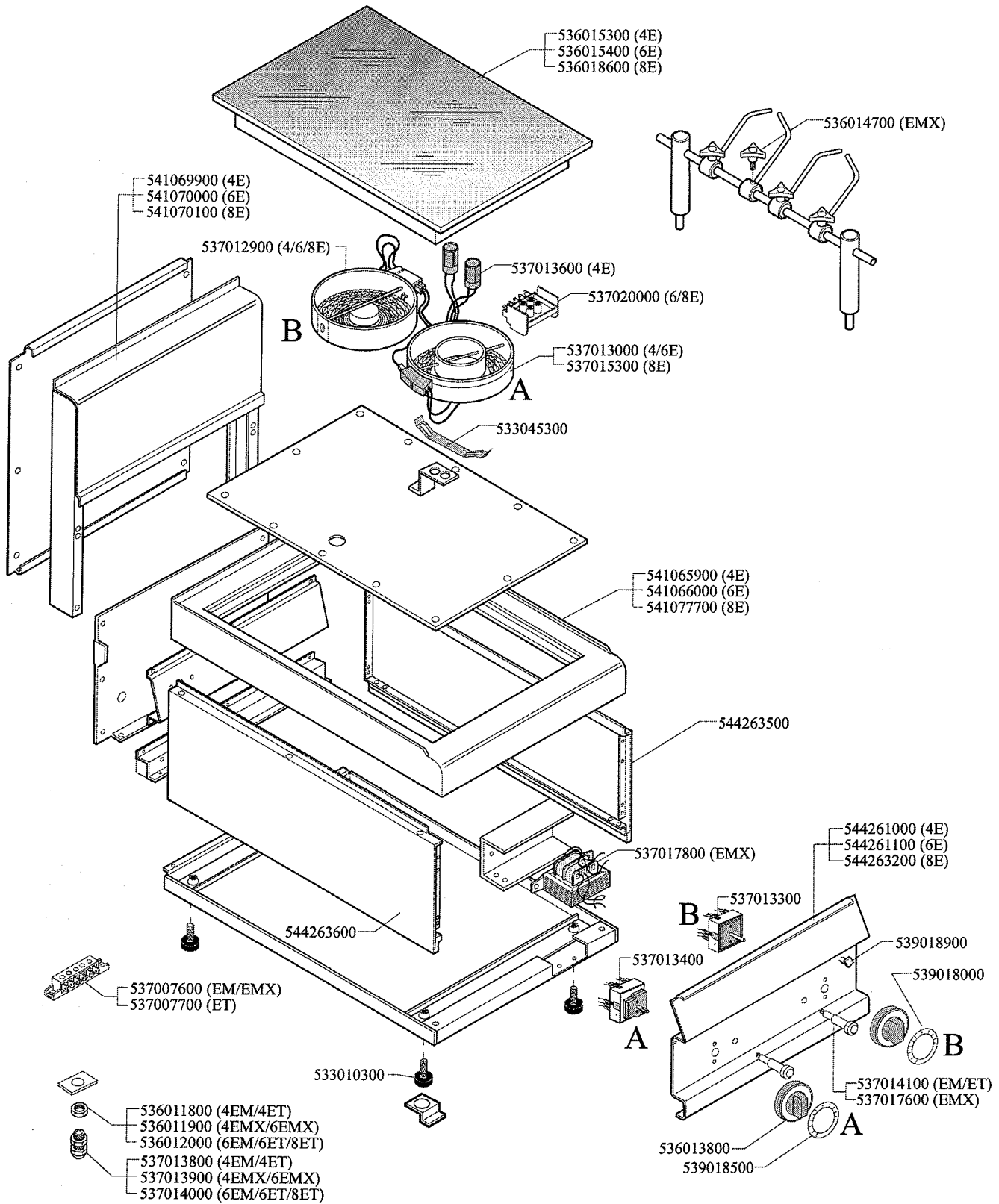


PCC-4EM PCC-4ET PCC-6EM PCC-6ET PCC-8ET



| Page | Pos | Code | Description |
|------|-----|-----------|-------------------------------------|
| 001 | | 536015400 | CERAMIC SHEET COMPLETE W/FRAME PCC6 |
| 001 | | 541070000 | NEUTRAL SPACER 6 |
| 001 | | 537012900 | ELECTRICAL PLATE 1800W 230W PCC-65 |
| 001 | | 537020000 | REMAINING HEAT 4 PILOT LIGHTS UNIT |
| 001 | | 537013000 | ELECTRICAL PLATE 1700W 230V PCC-65 |
| 001 | | 533045300 | PLATE SPRING PCC |
| 001 | | 541066000 | UPPER PLATE PCC-6E |
| 001 | | 544263500 | RIGHT SIDE S.65 |
| 001 | | 544261100 | CONTROL PANEL PC/C-6E |
| 001 | | 537013300 | CURRENT REGULATOR FOR ELEC. PLATE |
| 001 | | 539018900 | INDEX FOR KNOB |
| 001 | | 539018000 | ADHESIVE GRAD.DISC 7POS.DOUBLE RED |
| 001 | | 537013400 | CURRENT REG. FOR DOUBLE ELEC. PLATE |
| 001 | | 537014100 | WHITE WARNING LIGHT 250V |
| 001 | | 536013800 | KNOB D.70 BLACK 6*5 WITH SPRING |
| 001 | | 539018500 | ADHESIVE GRADUATED DISC FOR KNOB |
| 001 | | 533010300 | ADJUSTABLE FOOT M10*20 D.23 |
| 001 | | 544263600 | LEFT SIDE S.65 |
| 001 | | 537007700 | TERMINAL BLOCK THREEPHASE 40A |
| 001 | | 536012000 | HEXAGONAL LOCK NUT PG-21 |
| 001 | | 537014000 | CABLE SECURING CLAMP PG-21 |