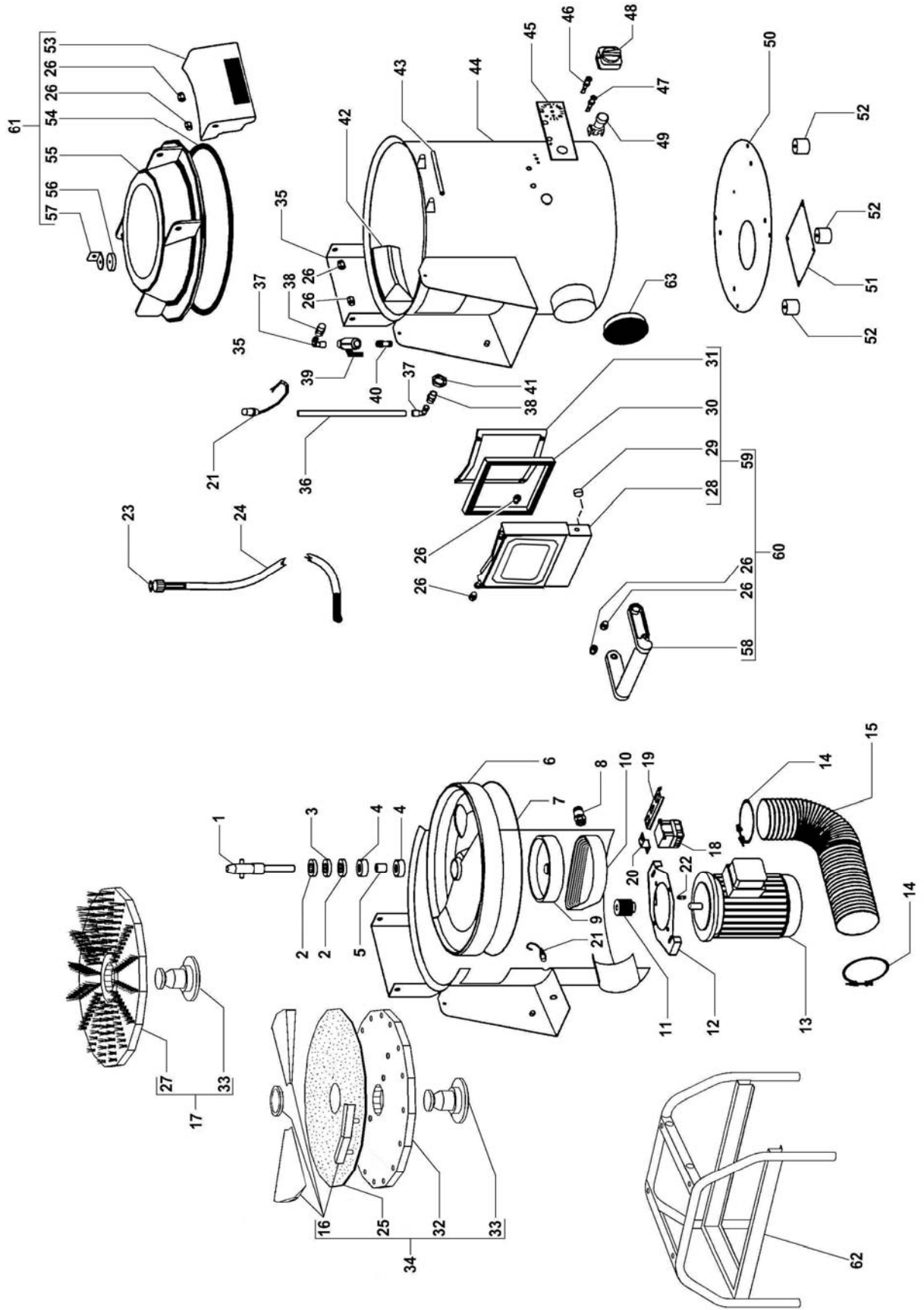


**Pelatore universale-pelapatate-lavacozze mod. PLN-PPN-LCN5**  
**Universal peeler-potato peeler-mussel washer mod. PLN-PPN-LCN5**



**PELATORE UNIVERSALE-PELATATE-LAVACOZZE MOD.PLN-PPN-LCN5  
UNIVERSAL PEELER-POTATO PEELER-MUSSEL WASHER MOD.PLN-PPN-LCN5**

Rif No	Codice Code	Caratteristiche Characteristics	Descrizione Description	
1	36G6590		Albero Shaft	
2	3151300	28x42x7	Paraolio Oil seal	
3	3190830		Rosetta Washer	
4	36F0090	6302 2RS	Cuscinetto Bearing	
5	36G5950		Boccola Bush	
6	3600870		Fondo Bottom	
7	3151750		Anello Ring	
8	SL0893	PG13,5	Pressacavo Cable clamp	
9	36G6600		Puleggia Pulley	
10	36G6610	☉ Poly V-559 j12	Cinghia Belt	
11	36G6620	(PLN-PPN)	Puleggia Pulley	
11	36G0030	(LCN)	Puleggia Pulley	
12	35V1230		Staffa Bracket	
13	SL1518	400V/3Ph/50Hz (PLN-LCN)	Motore Motor	
13	32M0650	230V/1Ph/50Hz (PLN-LCN)	Motore Motor	
13	SL1471	400V/3Ph/50Hz (PPN)	Motore Motor	
13	SL1470	230V/1Ph/50Hz (PPN)	Motore Motor	
14	3140460	ø88+ø96	Fascetta Clip	
15	35X1150	ø90	Tubo Tube	
16	SA3450	(PTA) plastic	Kit disco Disk set	
17	ACPPC	Assembly	Disco cozze Mussel disk	
18	SL2921	☉	Scheda elettronica Electronic card	
18	32Z4840	01/01/04 f.p.(*).	Teleruttore Remote control switch	
19	32D0630	01/01/04 f.p.(*).	Piastra Plate	
20	SL2785		Piastra Plate	
20	SL2355	01/01/04 f.p.(*).	Staffa Bracket	
21	32W3240	☉	Micrinterruttore Microswitch	
22	SL0010	5x5x20	Linguetta Key	
23	3151550	ø15xø25x3	Guarnizione Gasket	
24	33M0010	3/4" F-F	Tubo Tube	
25	SL2494	☉	Tela abrasiva Emery cloth	
26	36D9550		Boccola Bush	
27	36G6880		Disco cozze Mussel disk	
28	SA3400	Assembly	Sportello Door	
29	3600160	☉	Magnete Magnet	
30	37Q7860	☉	Guarnizione Gasket	
31	36C0011		Telaio Frame	
32	SL2135		Disco Disk	
33	36M5250		Pomello Knob	
34	ACPTA	Assembly	Disco patate Potato disk	
35	SL2904		Staffa Bracket	
36	35X2330		Tubo Tube	
37	33Q6040	L 90° 1/4" M-F	Raccordo Nipple	
38	33Q6210	1/4" M-F	Raccordo Nipple	
39	SL1622	1/4" M-F	Rubinetto Cock	
40	33Q5180	1/4" M ø12	Portagomma Cluch	
41	3117580	1/4" CH17	Dado Nut	
42	36D6040		Saltarello Leaper	
43	36G2040		Perno Pivot	
44	SL2693		Carcassa Housing	
44	30W3130	01/06/03 f.p.(*).	Carcassa Housing	
45	37M4770		Etichetta Label	
46	32W2970	☉ 230V 2W green	Lampada Lamp	
47	32W3280	☉ 230V 2W white	Lampada Lamp	
48	SL2348	☉	Timer Timer	
48	32Z5560	20/10/01 f.p.(*).	Timer Timer	
49	SL1539	☉ Unstable	Pulsante Push button	
50	35D7790		Fondo Bottom	
51	35M0850		Piastra Plate	
52	36C0800	☉	Piedino Foot	
53	36M5090		Maniglia Handle	
54	SL2871	☉	Guarnizione Gasket	
55	36Z6501		Coperchio Cover	
56	3600310	☉	Magnete Magnet	
57	35V6381		Staffa Bracket	
58	6005400	Assembly	Maniglia Handle	
59	6000930	Assembly	Sportello Door	
60	6005390	Assembly	Sportello Door	
61	6005380	Assembly	Coperchio Cover	
62	ACCI	(PLF-PPF-LCF)Assembly	Telaio Frame	
63	SL2211	(PLF-PPF-LCF)	Tappo Tap	

(\*): fuori produzione / out of production

☉ : ricambio consigliato / spare part suggested