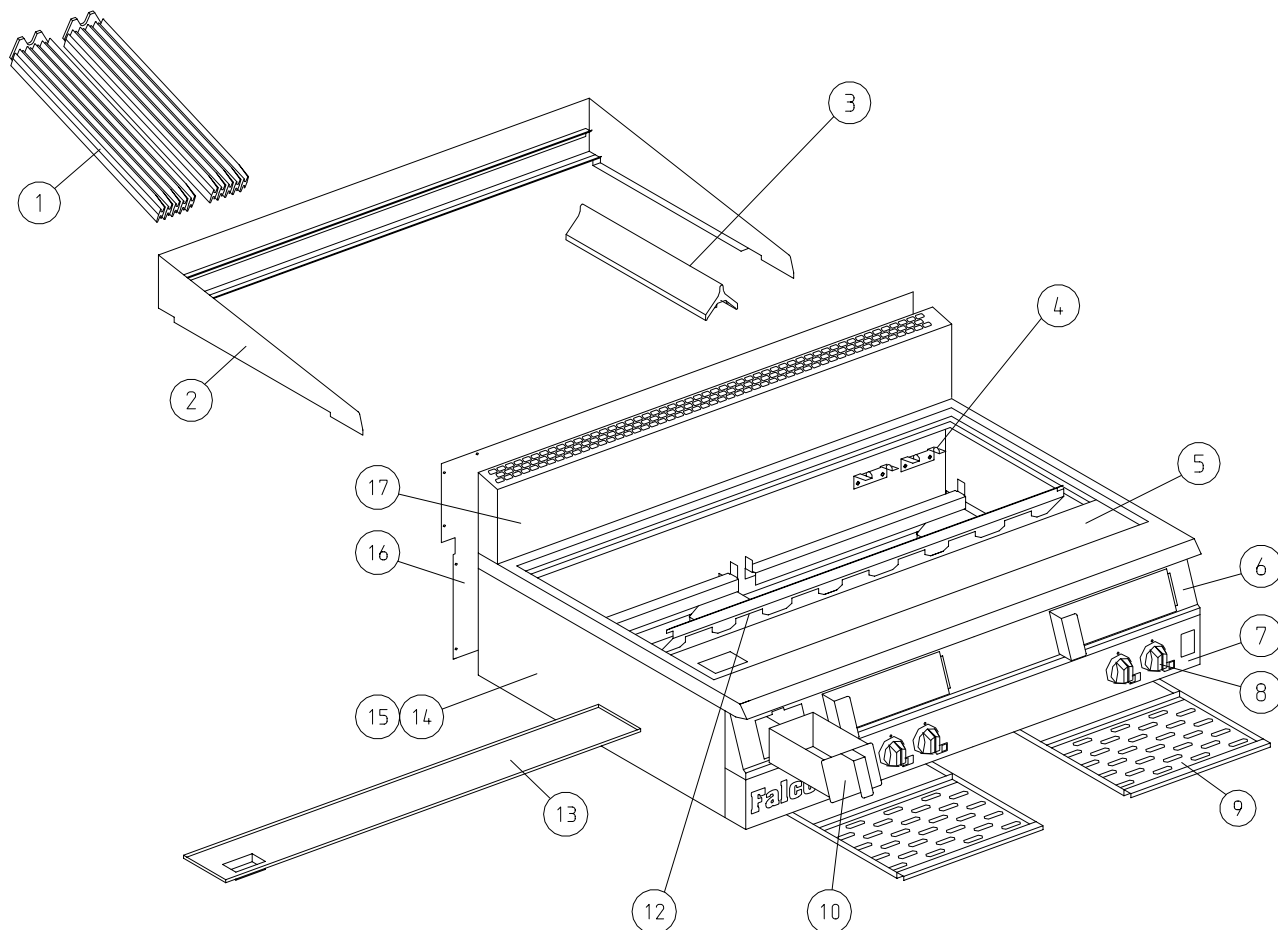


G21223 Chargrill

Fitments

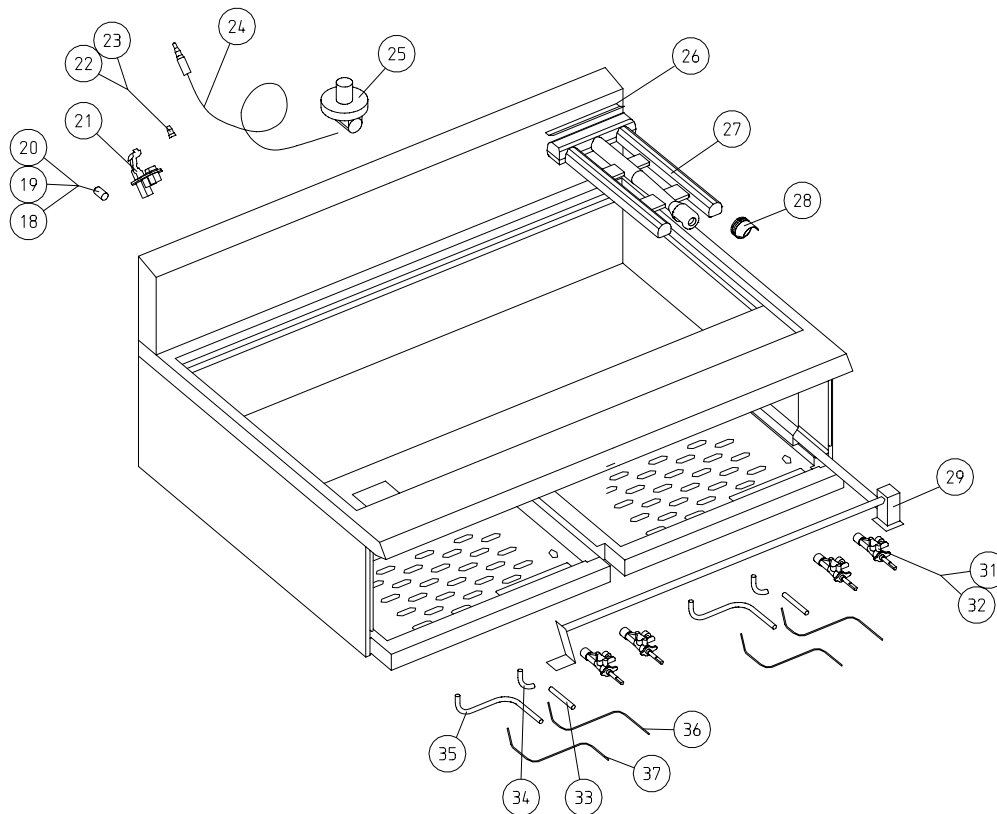


| Item | Spares No | Description |
|------|-----------|----------------------------|
| 1. | 535950000 | Branding grid |
| 2. | 535970000 | Splash guard assembly |
| 3. | 535950001 | Burner Radiant |
| 4. | 535970009 | Baffle support angle |
| 5. | 535970001 | Hob assembly |
| 6. | 535970002 | Upper front facia assembly |
| 7. | 535970003 | Lower front facia |
| 8. | 535820009 | Control knob |

| Item | Spares No | Description |
|------|-----------|---------------------------------|
| 9. | 535950003 | Drip tray |
| 10. | 535820011 | Fat jug assembly |
| 11. | 535820012 | Magnetic door catch (not shown) |
| 12. | 535970004 | Brander support angle |
| 13. | 535970005 | Spill tray |
| 14. | 535820015 | Outer side panel - LH |
| 15. | 535820016 | Outer side panel - RH |
| 16. | 535970006 | Outer back panel |
| 17. | 535970007 | Flue panel |

G21223 Chargrill

Controls

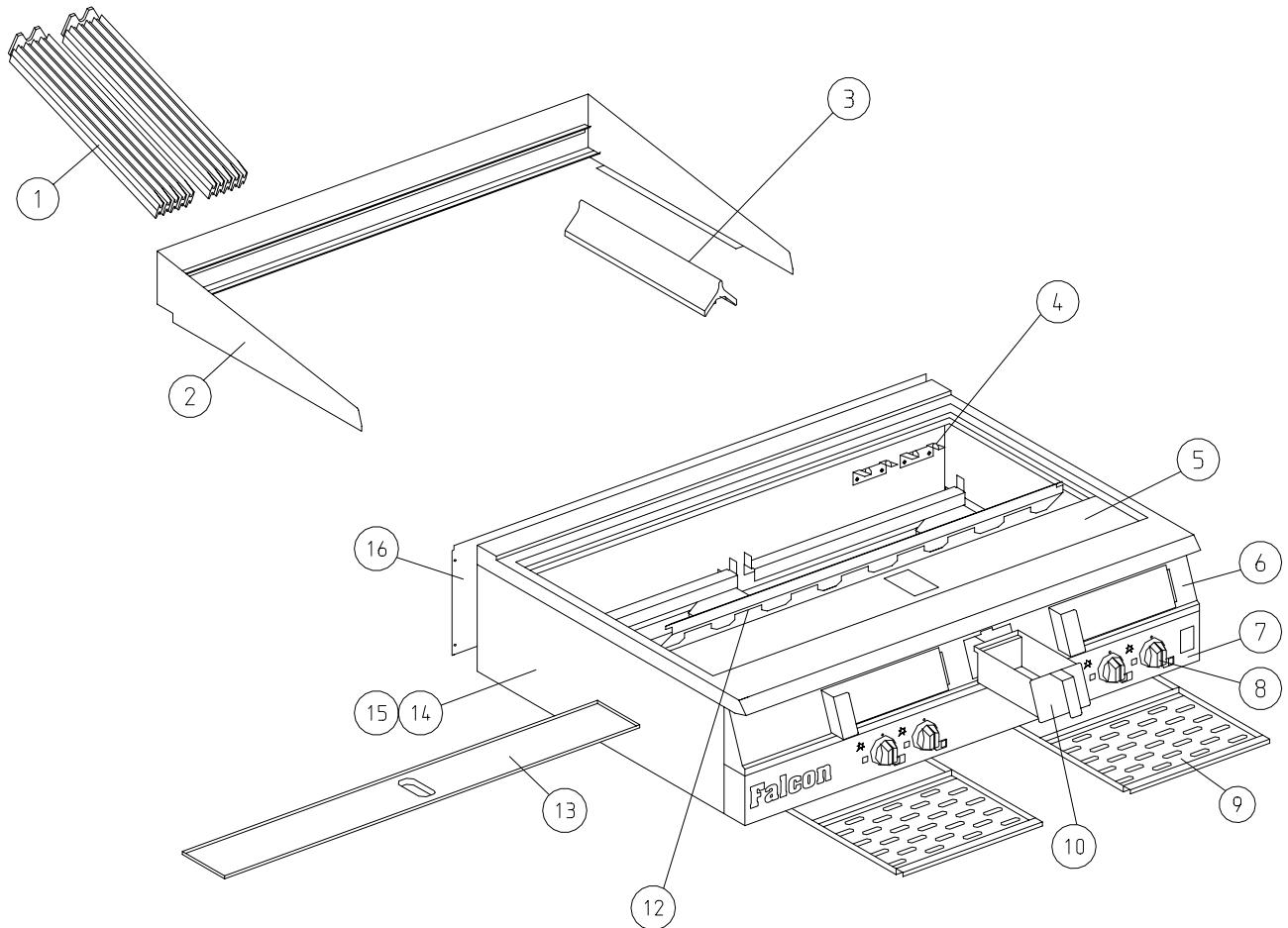


| Item | Spares No | Description |
|------|-----------|-------------------------------|
| 18. | 535820019 | Burner injector (natural gas) |
| 19. | 535820020 | Injector holder (propane gas) |
| 20. | 535820021 | Amal jet (propane gas) |
| 21. | 535820022 | Pilot burner |
| 22. | 535820023 | Pilot jet (natural gas) |
| 23. | 535820024 | Pilot jet (propane gas) |
| 24. | 535820025 | Thermocouple |
| 25. | 535820026 | Gas governor (natural gas) |
| 26. | 535950004 | Burner shield |
| 27. | 535950005 | Burner |

| Item | Spares No | Description |
|------|-----------|----------------------------------|
| 28. | 535820028 | Burner aeration shroud |
| 29. | 535970008 | Float rail assembly |
| 30. | 535820030 | Pressure test nipple (not shown) |
| 31. | 535820031 | Gas control valve (natural gas) |
| 32. | 535820032 | Gas control valve (propane gas) |
| 33. | 535820033 | RH burner pipe (tap to elbow) |
| 34. | 535820034 | RH burner pipe (elbow to burner) |
| 35. | 535820035 | LH burner pipe |
| 36. | 535820036 | RH pilot pipe |
| 37. | 535820037 | LH pilot pipe |

G21223 Chargrill

Fitments

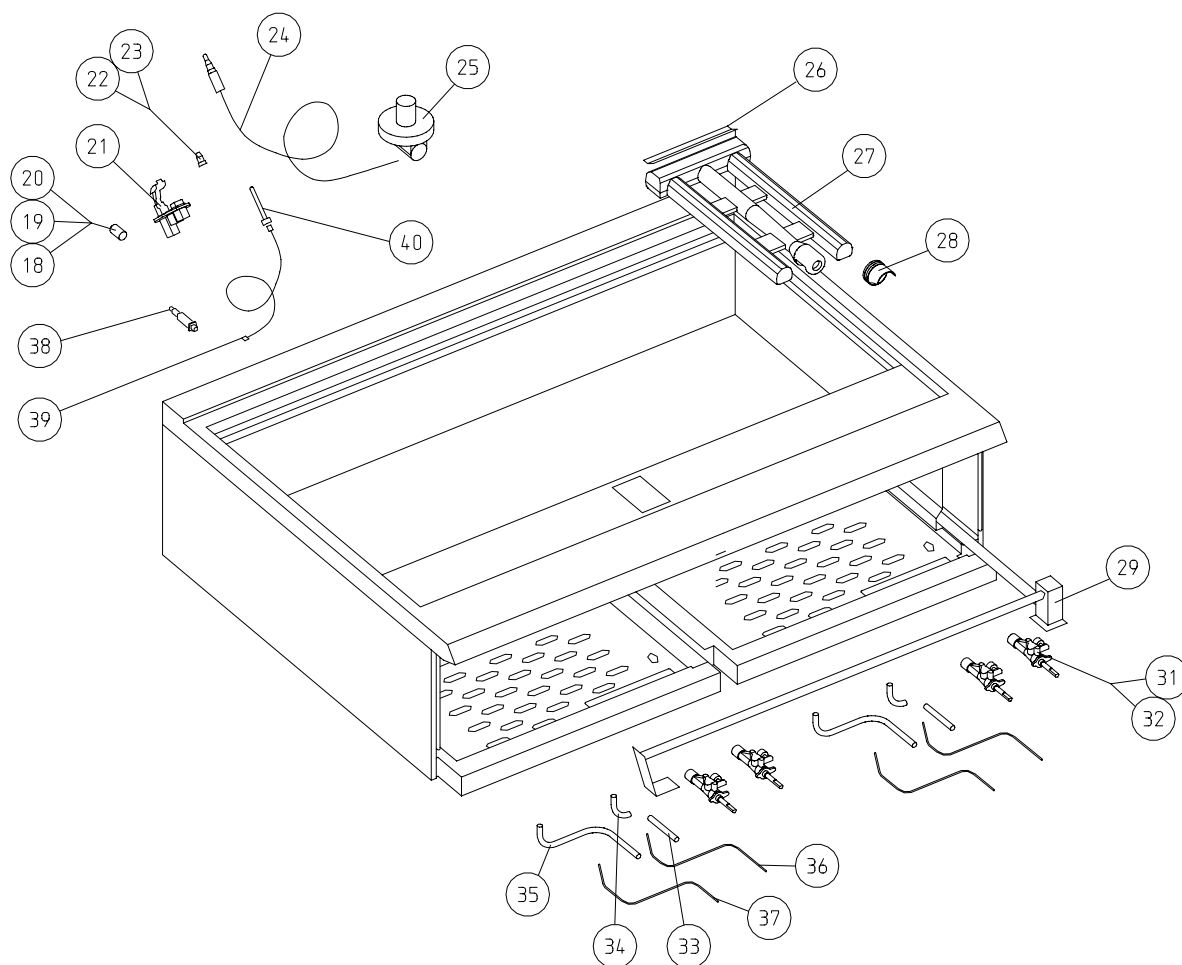


| Item | Spares No | Description |
|------|-----------|-------------------------------|
| 1. | 535950000 | Branding grid |
| 2. | 535970012 | Splash guard assembly |
| 3. | 535950001 | Burner Radiant |
| 4. | 535970009 | Baffle support angle |
| 5. | 535970013 | Hob assembly |
| 6. | 535970014 | Upper front facia assembly |
| 7. | 535970015 | Lower front facia (sp. ign.) |
| 7. | 535970015 | Lower front facia (man. ign.) |
| 8. | 535820009 | Control knob |

| Item | Spares No | Description |
|------|-----------|---------------------------------|
| 9. | 535950011 | Drip tray |
| 10. | 535950025 | Fat jug assembly |
| 11. | 535820012 | Magnetic door catch (not shown) |
| 12. | 535970017 | Brander support angle |
| 13. | 535970018 | Spill tray |
| 14. | 535820015 | Outer side panel - LH |
| 15. | 535820016 | Outer side panel - RH |
| 16. | 535970019 | Outer back panel |

G21223 Chargrill

Controls



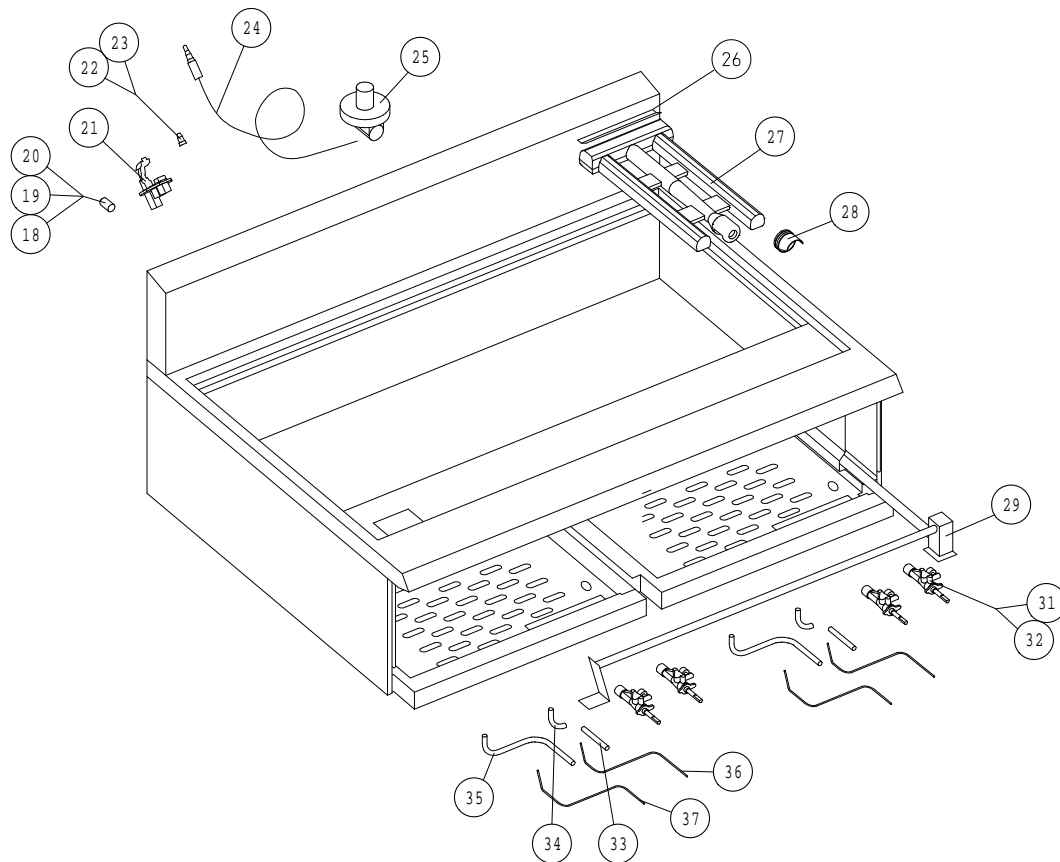
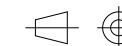
| Item | Spares No | Description |
|------|-----------|-------------------------------|
| 18. | 535820019 | Burner injector (natural gas) |
| 19. | 535820020 | Injector holder (propane gas) |
| 20. | 535820021 | Amal jet (propane gas) |
| 21. | 535820022 | Pilot burner |
| 22. | 535820023 | Pilot jet (natural gas) |
| 23. | 535820024 | Pilot jet (propane gas) |
| 24. | 535820025 | Thermocouple |
| 25. | 535820026 | Gas governor (natural gas) |
| 26. | 535950004 | Burner shield |
| 27. | 535950005 | Burner |
| 28. | 535950005 | Burner aeration shroud |

| Item | Spares No | Description |
|------|-----------|----------------------------------|
| 29. | 535970020 | Float rail assembly |
| 30. | 535970030 | Pressure test nipple (not shown) |
| 31. | 535820031 | Gas control valve (natural gas) |
| 32. | 535820032 | Gas control valve (propane gas) |
| 33. | 535820033 | RH burner pipe (tap to elbow) |
| 34. | 535950016 | RH burner pipe (elbow to burner) |
| 35. | 535950017 | LH burner pipe |
| 36. | 535950018 | RH pilot pipe |
| 37. | 535950019 | LH pilot pipe |
| 38. | 535950020 | Spark igniter |
| 39. | 535950021 | Electrode lead (sp. ign. only) |
| 40. | 535820037 | Pilot electrode (sp. ign. only) |

IF IN DOUBT ASK!!

DO NOT SCALE !!

First Angle Projection



G21223 CHARGRILL - CONTROLS

| Part No. | Spares No. | Description |
|----------|------------|----------------------------------|
| 18 | 535820019 | Burner Injector (Natural Gas) |
| 19 | 535820020 | Injector Holder (Propane Gas) |
| 20 | 535820021 | Amal Jet (Propane Gas) |
| 21 | 535820022 | Pilot Burner |
| 22 | 535820023 | Pilot Jet (Natural Gas) |
| 23 | 535820024 | Pilot Jet (Propane Gas) |
| 24 | 535820025 | Thermocouple |
| 25 | 535820026 | Gas Governor (Natural Gas) |
| 26 | 535950004 | Burner Shield |
| 27 | 535950005 | Burner |
| 28 | 535820028 | Burner Aeration Shroud |
| 29 | 535970008 | Float Rail Assembly |
| 30 | 535820030 | Pressure Test Nipple (Not Shown) |
| 31 | 535820031 | Gas Control Valve (Natural Gas) |
| 32 | 535820032 | Gas Control Valve (Propane Gas) |
| 33 | 535820033 | RH Burner Pipe (Tap To Elbow) |
| 34 | 535820034 | RH Burner Pipe (Elbow To Burner) |
| 35 | 535820035 | LH Burner Pipe |
| 36 | 535820036 | RH Pilot Pipe |
| 37 | 535820037 | LH Pilot Pipe |

All Dimensions in millimetres, Tolerance- Linear $\pm 0.5\text{mm}$ Angular $\pm 0.5^\circ$ (or as stated)

| | | | | | |
|-------|---------|-----------------------|------|-------------|----------|
| | | | | | |
| A | 4916 | ISSUED FOR PRODUCTION | | I. HAMILTON | 19-05-03 |
| Issue | Mod No. | Alteration | Zone | Drawn by | Date |



This part is common to the following units

© No reproduction or publication of this drawing may be made and no article may be manufactured or assembled in accordance with this drawing without prior written consent. The prohibition is a condition of any contract relating to this drawing. Rights reserved under the Copyright Act 1956 as amended by the Design Copyright Act 1988.

UNCONTROLLED

| | | | | |
|---------|-------------|----------------|---------------------------|-------|
| Drawn | I. HAMILTON | Product | G21223 CHARGRILL | |
| Date | 19-05-03 | Title | SPARES DIAGRAM - CONTROLS | |
| Scale | N. T. S. | | | |
| Matl. | | Drawing Number | AD41387 | Issue |
| No. off | | Finish | | A |
| Bin No. | RZZ365 | Kraus No. | | |

Falcon Foodservice Equipment. Wallace View Hillfoots Road Stirling Scotland