

www.atasrl.com

Modello
Macchina
Macchine

AF 880 - ALP 40

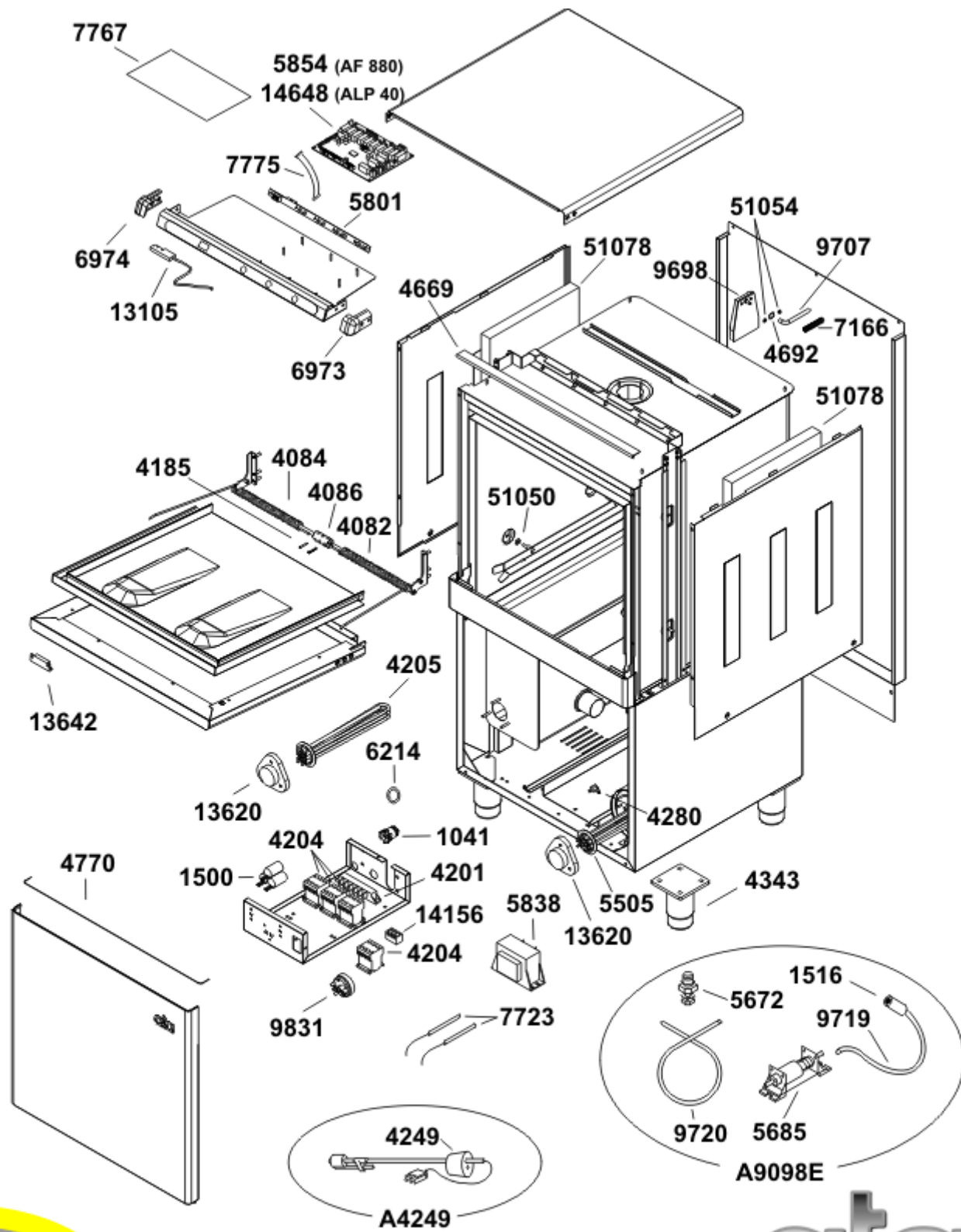
Dis. n° EM.AF.061

Data: 01/01/14



Professional dishwashers

A.T.A. S.R.L. 35026 CONSELVE (PD) ITALY VIALE DEL PROGRESSO 20 - Z. I. PHONE 049/9500555 (4 LINEE R.A.) FAX 049/9500560



www.atasrl.com

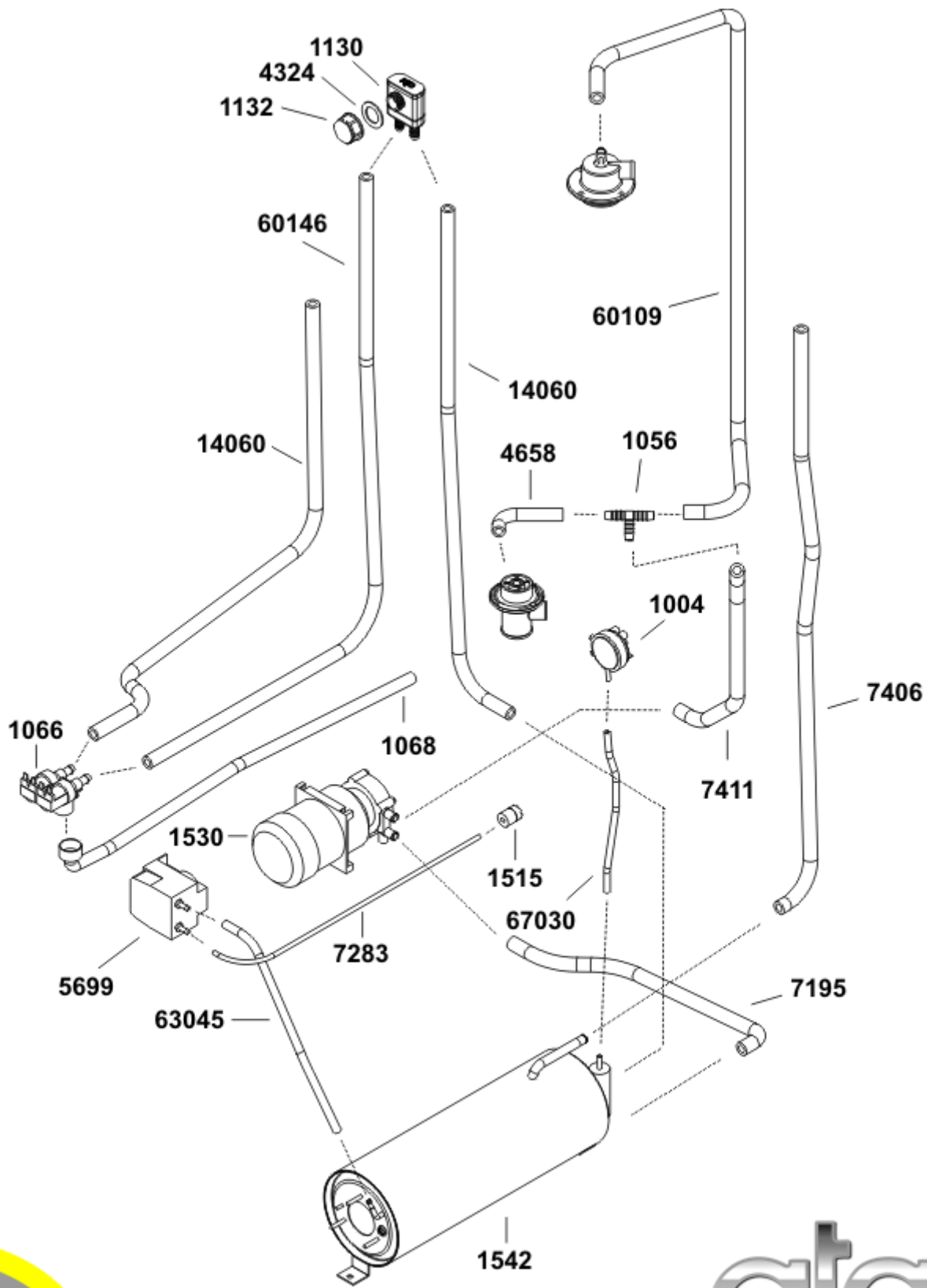
AF 880 + PRP
ALP 40 + PRP

Dis. n° EE.AF.110 Data: 01/01/14



Professional dishwashers

A.T.A. S.R.L. 35026 CONSELVE (PD) ITALY VIALE DEL PROGRESSO 20 - Z. I. PHONE 049/9500555 (4 LINEE R.A.) FAX 049/9500560



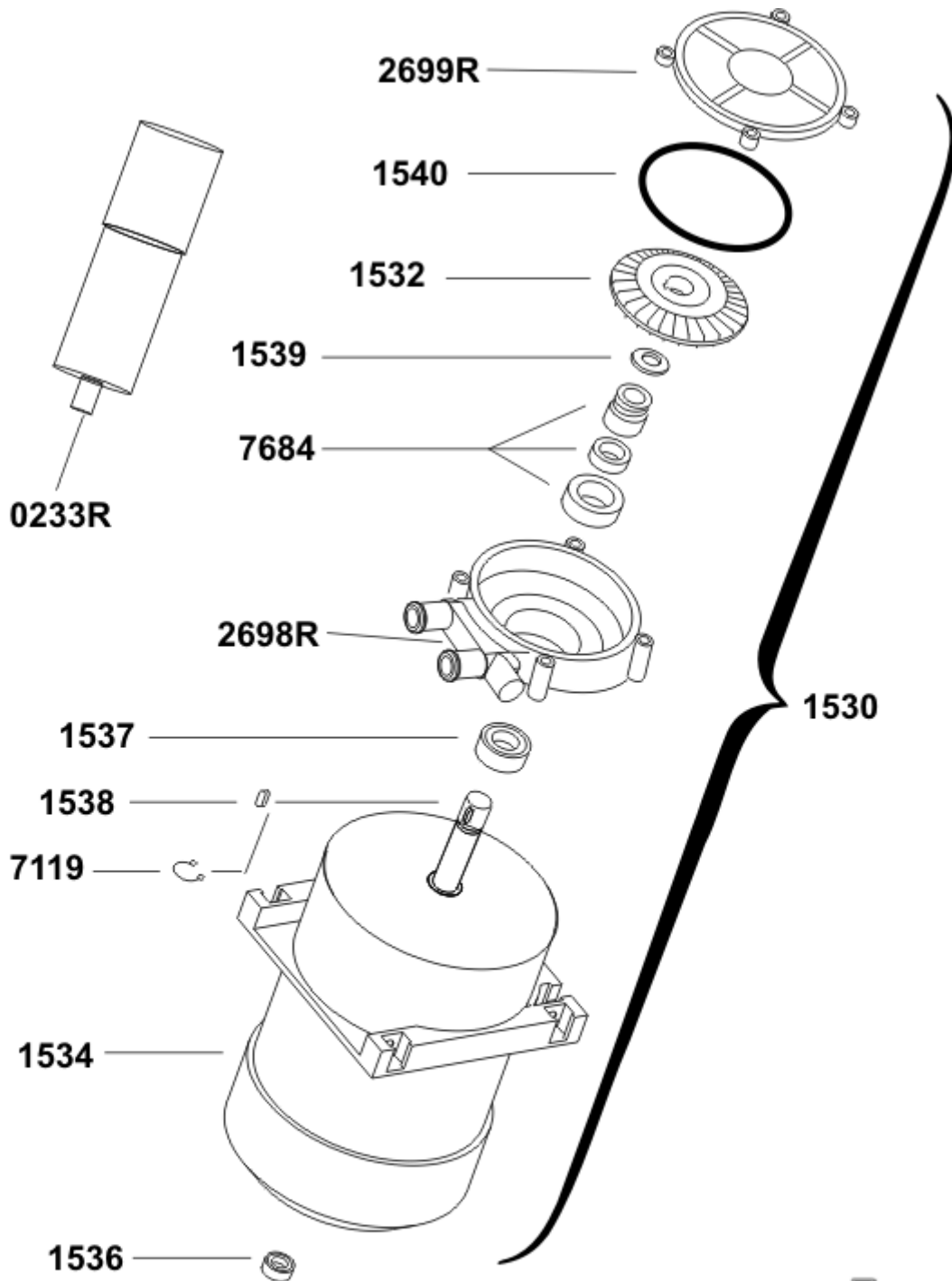
www.atasrl.com

AF 880 + PRP
ALP 40 + PRP Dis. n° EI.AF.109 Data: 01/01/14

Modello
 Macchina
 Model
 Model



A.T.A. S.R.L. 35026 CONSELVE (PD) ITALY VIALE DEL PROGRESSO 20 - Z. I. PHONE 049/9500555 (4 LINEE R.A.) FAX 049/9500560



www.atasrl.com

Modello
Modello
Modello
Modello

Pompa aum.pressione

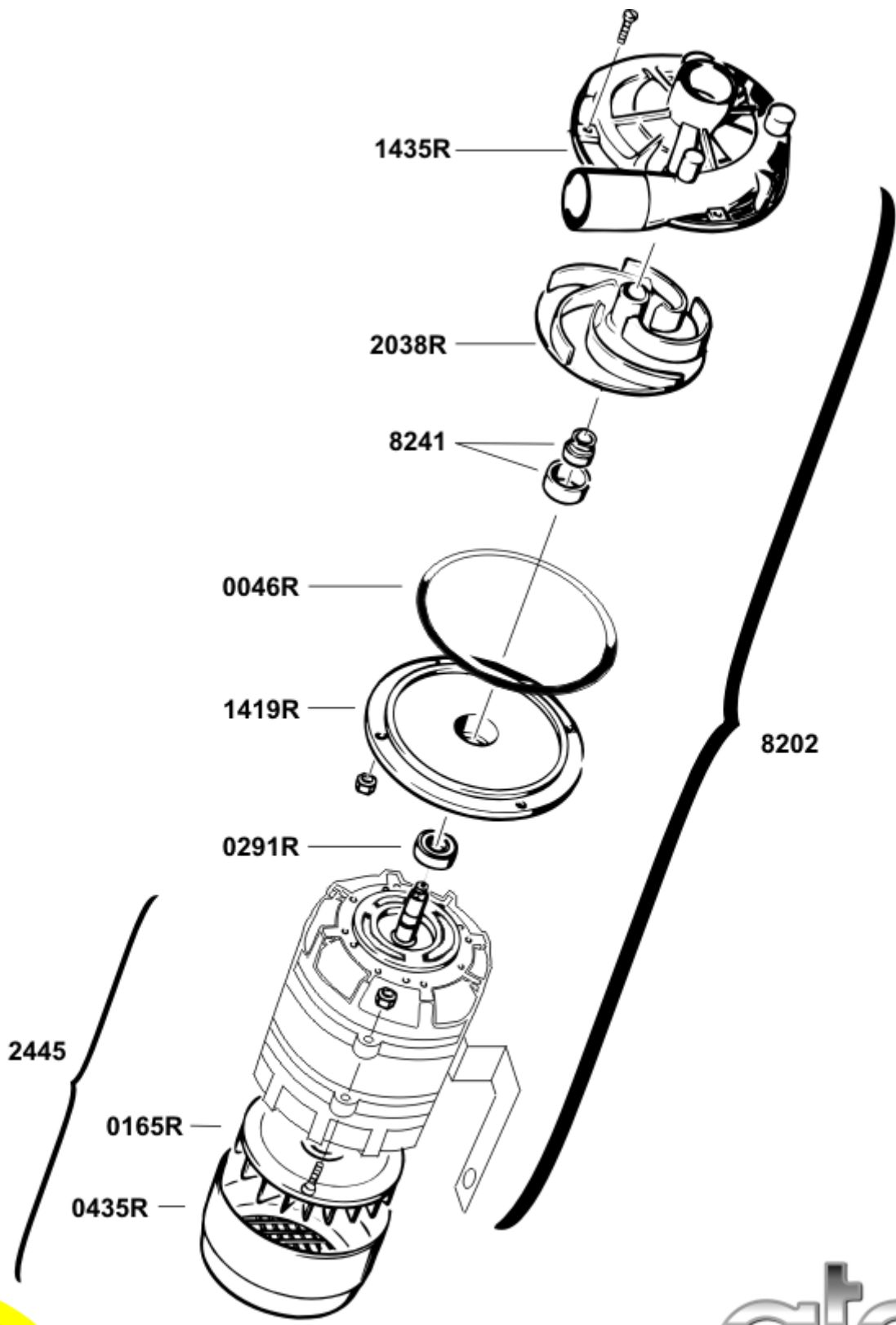
Dis. n° EE.P.027

Data: 01/10/10



Professional dishwashers

A.T.A. S.R.L. 35026 CONSELVE (PD) ITALY VIALE DEL PROGRESSO 20 - Z. I. PHONE 049/9500555 (4 LINEE R.A.) FAX 049/9500560



www.atasrl.com

ELETTROPOMPA
0,63 kW

Modello
Modello
Modello
Modello

Dis. n° EE.P.035 Data: 01/10/10



Professional dishwashers

A.T.A. S.R.L. 35026 CONSELVE (PD) ITALY VIALE DEL PROGRESSO 20 - Z. I. PHONE 049/9500555 (4 LINEE R.A.) FAX 049/9500560