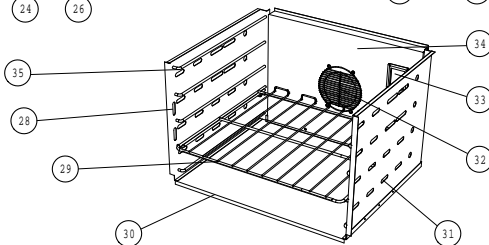
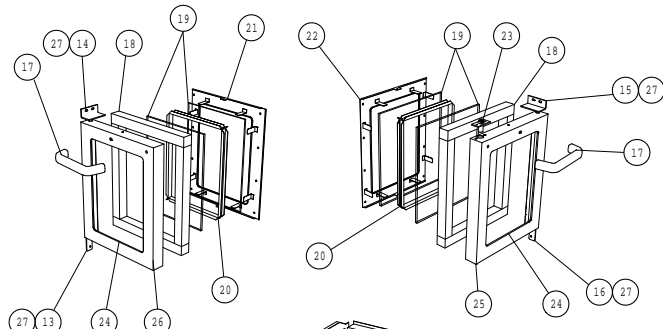
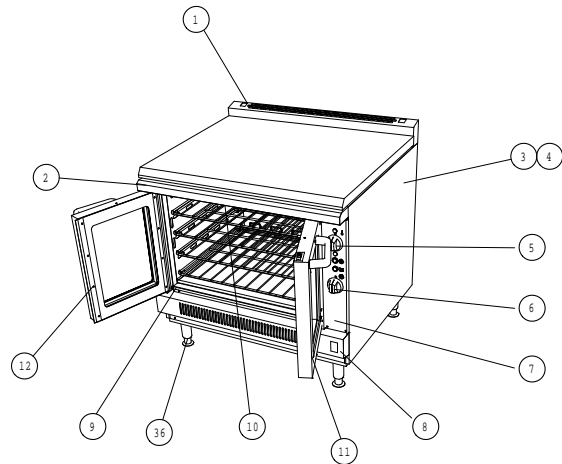
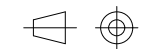


IF IN DOUBT ASK!!

DO NOT SCALE !!

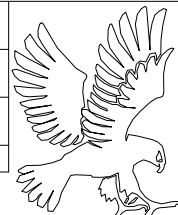
First Angle Projection



E2112 FITMENTS

Part No	Spares No	Description
1	535500041	Worktop
2	535500042	Hinge cover
3	531740190	L/H Outer oven side panel
4	531740180	R/H Outer oven side panel
5	535500002	Oven control knob
6	535500003	Timer control knob
7	731063001	Oven control panel
8	535500005	Burner grill
9	731740302	Oven door seal kit
10	531740066	Oven door catch brkt
11	535500006	RH Door assembly
12	535500007	LH Door assembly
13	535500008	LH Bottom door hinge
14	535500009	LH Top door hinge
15	535500010	RH Top door hinge
16	535500011	RH Bottom door hinge
17	535480055	Door Handle
18	535500012	Door insulation
19	535500013	Door glass
20	535500014	Door glass spacer
21	535500015	LH Inner door panel
22	535500016	RH Inner door panel
23	535480054	Door Catch
24	734350060	Door seal 2.1 M
25	535500017	RH outer door panel
26	535500018	LH outer door panel
27	535480077	Door hinge bush
28	731740230	LH oven lining
29	731740250	Oven shelf
30	731740260	Oven bottom panel
31	731740220	RH oven lining
32	731740310	Fan Guard
33	731740352	Oven Light lense
34	731742070	Oven rear lining
35	731740240	Oven shelf runner
36	731740170	Adjustable Leg

All dimensions in millimetres, Tolerance- Linear  $\pm 0.5\text{mm}$  Angular  $\pm 0.5^\circ$  (or as stated). All sharp edges to be removed from sheet metal parts.



Drawn	I. HAMILTON	Product	E2112 CONVECTION RANGE	
Date	09/12/02	Title	E2112 FITMENTS SPARES INFO	
Scale	N.T.S			
Matl.	_____	Drawing Number	AA42533	
No. off	_____	Finish	_____	
Bin No.	_____	Kraus No.	_____	
		Issue	A	

Issue	Mod No.	Alteration	Zone	Drawn by	Date

This part is common to the following units

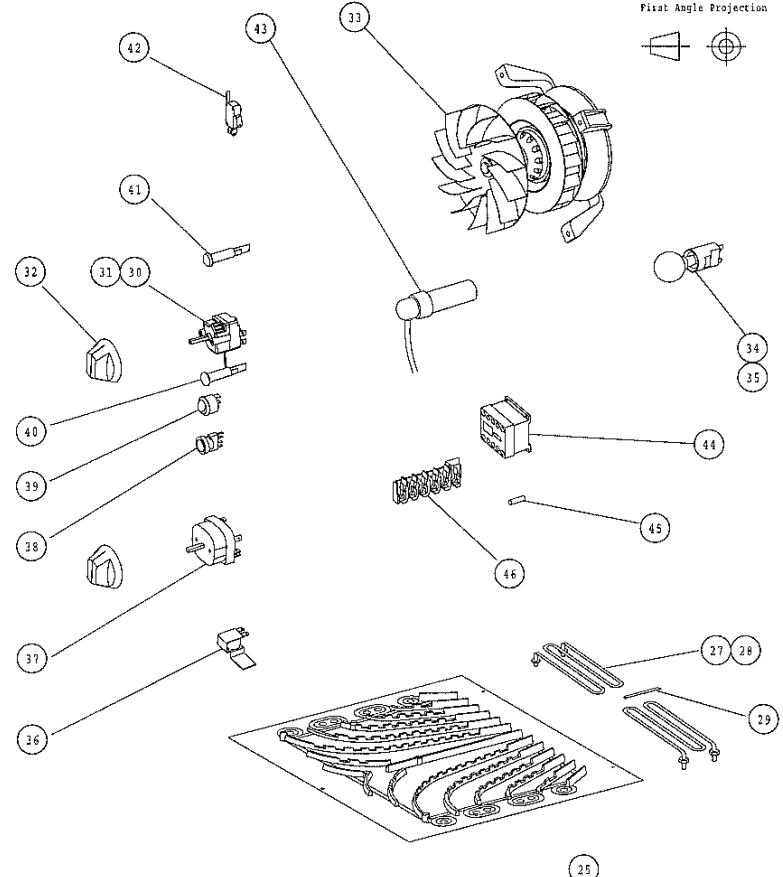
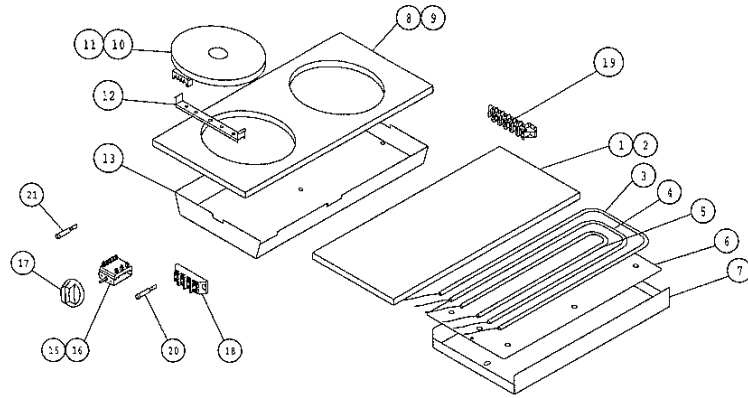
© No reproduction or publication of this drawing may be made and no article may be manufactured or assembled in accordance with this drawing without prior written consent. This prohibition is a condition of any contract relating to this drawing. Rights reserved under the Copyright Act 1956 as amended by the Design Copyright Act 1988.

**CLEARED FOR PRODUCTION**

Falcon Foodservice Equipment. Wallace View Hillfoots Road Stirling Scotland

IF IN DOUBT ASK!!

DO NOT SCALE !!  
First Angle Projection



E2102

Item	Spares No.	Description
1	730960010	Rectangular Hotplate Assembly
2	730960100	Rectangular Hotplate Casting
3	730960040	Element Outer
4	730960030	Element Intermediate
5	730960020	Element Inner
6	730960150	Element Clamp Plate
7	730964060	Hotplate Lagging Box
8	730960114	Round Hotplate Assembly
9	730960101	Round Hotplate Casting
10	730960110	Hotplate Assembly
11	730960050	Hotplate
12	730960115	Fixing Bracket
13	730964160	Cover Plate
14	730960116	Seal for Round Hotplate (not shown)
15	730960070	6 Position Switch
16	731000005	6 Position Switch c/w Knob
17	731000002	6 Position Switch Knob Only
18	730960112	Terminal Block Porcelain
19	731000006	Terminal Block Incoming
20	731000007	Neon Amber
21	731000008	Neon Red

E2102 & E2112

Item	Spares No.	Description
22	731740570	Live Bus Bar Assy (not shown)
23	731740580	Neutral Bus Bar Assy (not shown)
24	731740591	Heat Exchanger Clamp (not shown)
25	731742000	Heat Exchanger
26	731742110	Heat Exchanger Insulation Box (not shown)
27	731740520	Oven Element
28	731740521	Oven Element Set of 6
29	731742020	Set of (6) Element Clamps
30	535500039	Oven Thermostat
31	731000009	Oven Thermostat c/w Knob
32	535500002	Oven Thermostat Knob Only
33	531740330	Oven Fan
34	531740341	Lamp Holder
35	531740340	Oven Lamp
36	535500035	Buzzer
37	535500036	Timer
38	535500037	Oven Light Switch
39	535500038	Power Switch
40	731000008	Neon Red
41	731000007	Neon Amber
42	531740480	Door Microswitch
43	531740400	Capacitor
44	731740510	Contactors
45	731050002	Fuse 2A
46	731000006	Terminal Block

Note:-  
Items 8 to 14 are used on 4 HP models only

All Dimensions in millimetres, Tolerance- Linear  $\pm 0.5\text{mm}$  Angular  $\pm 0.5^\circ$  (or as stated)

Drawn	I. HAMILTON	Product	E2102/12 CONVECTION RANGE	
Date	19-04-04	Title	E2102/12 ELECTRICS SPARES INFO	
Scale	N.T.S			
Mail.		Drawing Number		Issue
No. off		Finish		AA42507
Bin No. RZZ356		Kraus No.		A

Issue	Mod No.	Alteration	Zone	Drawn by	Date

This part is common to the following units

No reproduction or publication of this drawing may be made and no article may be manufactured or assembled in accordance with this drawing without prior written consent. This prohibition is a term of any contract relating to this drawing. Rights reserved under the Copyright Act 1958 as amended by the Design Copyright Act 1988.

**CONTROLLED**



Falcon Foodservice Equipment. Wallace View Hillfoots Road Stirling Scotland