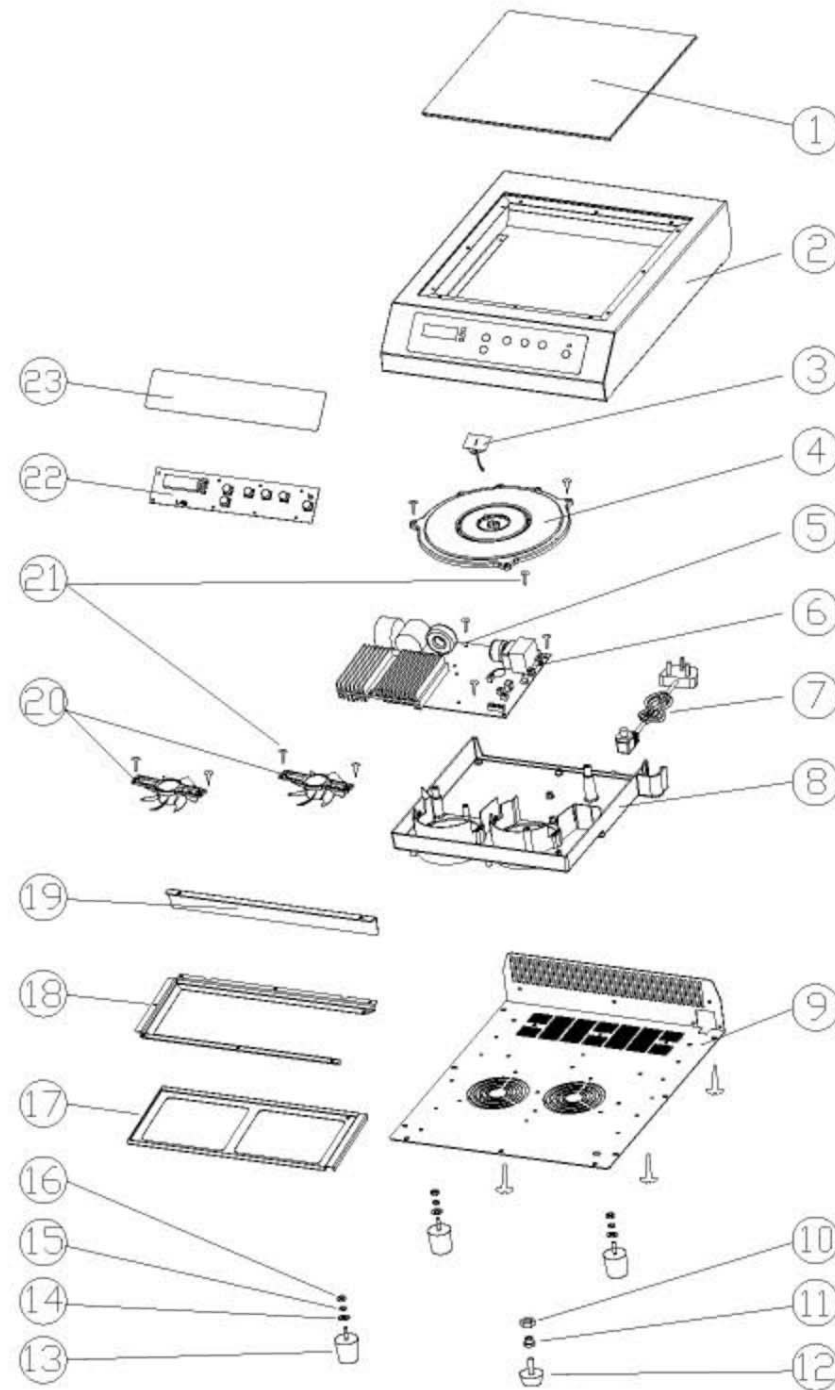


## GIC3000 & GIC3500 Exploded View Diagram



1. Ceramic plate
2. Upper housing
3. Thermal sensor
4. Wiring coil
5. Main PCB
6. Changeable Fuse
7. Power cord & plug
8. Plastic bracket
9. Lower housing
10. Nut
11. Screw
12. Adjustable rubber feet
13. Rubber feet
14. Ring
15. Spring ring
16. Nut
17. Filter
18. Filter track
19. Airflow bar
20. Fan
21. Screw
22. Control PCB
23. Control panel