



Snackgeräte Mikrowelle

Artikel-Nr.
213009 (R-25AT)

Explosionszeichnung / Ersatzteile

Bitte bei Ersatzteilbestellung immer Artikelnummer und
Seriennummer mit angeben!

PARTS LIST

Note: The parts marked "Δ" may cause undue microwave exposure.

The parts marked "*" are used in voltage more than 250V.

REF. NO.	PART NO.	DESCRIPTION	Q'TY	CODE	
ELECTORIC PARTS					
	BM	FMOTEA482WRKZ	Blower motor	1	BH
*	C1, C2	RC-QZA320WRZZ	High voltage capacitor	2	AV
	F1, F2	QFS-CA026WRZZ	Fuse F10A	2	AH
	F3	QFS-CA017WRE0	Weak point A017	1	AF
*	F4, F5	QFS-IA002WRE0	High voltage fuse 0.75A/ 5kV	2	AQ
Δ*	MG1	RV-MZA322WREZ	Magnetron (Upper)	1	BB
Δ*	MG2	RV-MZA322WREZ	Magnetron (Lower)	1	BB
	OL	RLMPTA028WRE0	Oven lamp	1	AK
	SM	RMOTDA238WRZZ	Antenna motor	2	AR
	SW1	QSW-MA085WRE0	Interlock switch	1	AF
	SW2	QSW-MA085WRE0	Interlock switch	1	AF
	SW3	QSW-MA086WRE0	Monitor switch	1	AF
	SW4	QSW-MA086WRE0	Monitor switch	1	AF
	SW5	QSW-MA085WRE0	Stop switch	1	AF
*	T1, T2	RTRN-A599WRE0	High voltage transformer	2	BM
	T3	RTRNPA005WRZZ	Touch control transformer	1	AQ
	TF1	QFS-TA014WRE0	Temperature fuse 150C (Upper magnetron)	1	AG
	TF2	QFS-TA014WRE0	Temperature fuse 150C (Lower magnetron)	1	AG
	TF3	QFS-TA015WRE0	Temperature fuse 120C (Exhaust)	1	AG
	TH1	FH-HZA070WRE0	Magnetron thermistor (Upper)	1	AM
	TH2	FH-HZA070WRE0	Magnetron thermistor (Lower)	1	AM
	TH3	FH-HZA070WRE0	Exhaust thermistor	1	AM
	1- 1	FACCVA013WRK0	Power supply cord	1	BG
	1- 2	QSCLA024WRE0	Oven lamp socket	1	AH
*	1- 3	FW-QZA117WRK0	High voltage rectifier assembly	1	AU
	1- 4	FPWBFA335WRE0	Noise filter	1	AX
	1- 5	QFSHDA019WRE0	Fuse holder	2	AH

CABINET PARTS

2- 1	GDAI-A353WRTZ	Base plate	1	BB
2- 2	GCABUA860WRPZ	Outer case cabinet	1	BD
2- 3	GCOVAA283WRW0	Rear cabinet	1	AX
2- 4	FFTASA064WRY0	Oven lamp access cover assembly	1	AN
2- 4-1	PCUSUA585WRPZ	Cushion	1	AF
2- 4-2	PREFHA059WRP0	Reflector	1	AF
2- 5	FFPF-A016WRK0	Vibration-proof sheet	1	AU
2- 6	PSHEGA007WRE0	Rubber sheet B	2	AE

CONTROL PANEL PARTS

3- 1	DPWBFC365WRKZ	Control unit	1	BN
3- 1A	QCNCMA314DRE0	5-pin connector (CN-A)	1	AC
3- 1B	QCNCMA413DRE0	6-pin connector (CN-B)	1	AC
3- 1C	QCNCMA420DRE0	5-pin connector (CN-C)	1	AK
3- 1D	QCNCMA493DRZZ	6-pin connector (CN-D)	1	AE
3- 1E	QCNCWA030DRE0	12-pin connector (CN-G)	1	AF
3- 1F	RV-KXA053DRE0	Fluorescent display tube	1	AW
3- 1G	PCUSGA359WRP0	Cushion	2	AC
BZ	RALM-A014DRE0	Buzzer (PKM22EPT)	1	AG
C1	VCKYD11HF104Z	Capacitor 0.1uF 50V	1	AB
C2	VCEAG51HW228M	Capacitor 2200uF 50V	1	AH
C3	VCEAG31HW106M	Capacitor 10uF 50V	1	AB
C4	VCKYD11HF104Z	Capacitor 0.1uF 50V	1	AB
C5	VCEAG31HW106M	Capacitor 10uF 50V	1	AB
C6-7	VCKYD11CY103N	Capacitor 0.01uF 16V	2	AA
C8	VCEAG31CW107M	Capacitor 100uF 16V	1	AC
C9	VCEAG31HW106M	Capacitor 10uF 50V	1	AB
C10	VCKYD11HF104Z	Capacitor 0.1uF 50V	1	AB
C21	VCKYD11HF104Z	Capacitor 0.1uF 50V	1	AB
C22	VCKYD11CY103N	Capacitor 0.01uF 16V	1	AA
C30	VCKYD11CY103N	Capacitor 0.01uF 16V	1	AA
C31	VCEAG31HW106M	Capacitor 10uF 50V	1	AB
C60	VCKYD11CY103N	Capacitor 0.01uF 16V	1	AA
C62-63	VCKYD11CY103N	Capacitor 0.01uF 16V	2	AA
C70	VCKYD11CY103N	Capacitor 0.01uF 16V	1	AA
C74	VCKYD11HF104Z	Capacitor 0.1uF 50V	1	AB
C75	VRD-B12EF472J	Resistor 4.7k ohm 1/4W	1	AA
C80	VCKYD11HF104Z	Capacitor 0.1uF 50V	1	AB
C81	VCEAG31HW106M	Capacitor 10uF 50V	1	AB
C98-101	VCKYD11HB331K	Capacitor 330pF 50V	4	AA
CF1	RCRS-A010DRE0	Ceramic seronator (CST4.00MGW)	1	AD
D1-7	VHD10EDB10+-1T	Diode (10EDB10)	7	AB
D70	VHD10EDB10+-1T	Diode (10EDB10)	1	AB
D71	VHD1SS133/-2	Diode (1SS133)	1	AA

REF. NO.	PART NO.	DESCRIPTION	Q'TY	CODE
D81	VHD1SS133//-2	Diode (1SS133)	1	AA
D83-84	VHD1SS133//-2	Diode (1SS133)	2	AA
F1	QFS-IA001KKZZ	Fuse 2.5A 50V	1	AD
I- 1	RH-IXA222DRZZ	LSI	1	AU
I- 2	VHICAT24W16-1	EEPROM	1	AF
Q2	VSKRA101M// -3	Transistor (KRA101M)	1	AB
Q3	VHIKIA79L05-3	Transistor (KIA79L05P)	1	AE
Q11	VS2SB953-PQ-4	Transistor (2SB953)	1	AG
Q20	VSKRA101M// -3	Transistor (KRA101M)	1	AB
Q40	VSKRA101M// -3	Transistor (KRA101M)	1	AB
Q41	VS2SB1238// -3	Transistor (2SB1238)	1	AA
Q80	VSKRA101M// -3	Transistor (KRA101M)	1	AB
Q81	VSDTD143ES/-3	Transistor (DTD143ES)	1	AC
Q86-87	VSDTB143ES/-3	Transistor (DTB143)	2	AC
R1	VRD-B12EF152J	Resistor 1.5k ohm 1/4W	1	AA
R2	VRS-B13AA271J	Resistor 270 ohm 1W	1	AA
R3	VRS-B13AA151J	Resistor 150 ohm 1W	1	AA
R5	VRD-B12EF103J	Resistor 10k ohm 1/4W	1	AA
R21	VRD-B12EF563J	Resistor 56k ohm 1/4W	1	AA
R22	VRD-B12EF472J	Resistor 4.7k ohm 1/4W	1	AA
R30	VRD-B12EF101J	Resistor 100 ohm 1/4W	1	AA
R31	VRD-B12EF153J	Resistor 15k ohm 1/4W	1	AA
R32	VRD-B12EF272J	Resistor 2.7k ohm 1/4W	1	AA
R33	VRD-B12EF103J	Resistor 10k ohm 1/4W	1	AA
R40	VRD-B12EF332J	Resistor 3.3k ohm 1/4W	1	AA
R41	VRD-B12EF203J	Resistor 20k ohm 1/4W	1	AA
R42	VRD-B12EF393J	Resistor 39k ohm 1/4W	1	AA
R43	VRD-B12EF103J	Resistor 10k ohm 1/4W	1	AA
R60	VRD-B12EF333J	Resistor 33k ohm 1/4W	1	AA
R62-63	VRD-B12EF112J	Resistor 1.1k ohm 1/4W	2	AA
R64-65	VRD-B12EF472J	Resistor 4.7k ohm 1/4W	2	AA
R67	VRD-B12EF472J	Resistor 4.7k ohm 1/4W	1	AA
R70	VRD-B12EF101J	Resistor 100 ohm 1/4W	1	AA
R71	VRD-B12EF472J	Resistor 4.7k ohm 1/4W	1	AA
R90-98	VRD-B12EF472J	Resistor 4.7k ohm 1/4W	9	AA
RY1	RRLY-B004MRE0	Relay (FTR-F3AA024E)	1	AF
RY3-4	RRLY-A113DRE0	Relay (DU24D1-1PR(M))	2	AM
VRS1	VHV10V471K+-1	Varistor (TNR10V471K)	1	AD
ZD1	VHEHZ161///-1	Zener diode (HZ16-1)	1	AA
ZD2	VHEHZ4C3///-1	Zener diode (HZ4C3)	1	AA
3- 2	FPNLCB774WRKZ	Control panel frame with key unit assembly	1	BD
3- 2-1	PSHEPA963WREZ	Graphic sheet	1	AS
3- 2-2	QSW-KA041DRZZ	Membrane switch	1	AV
3- 2-3	HDECAA195WRP0	Decoration metal fittings	1	AP
3- 2-4	PCUSUA451WRP0	Cushion	1	AB
3- 2-5	PCUSGA618WREZ	Cushion	1	AD
3- 3	LANGTA243WRW0	Control panel mounting angle	1	AF
3- 4	XEPSD30P10XS0	Screw : 3mm x 10mm	4	AA
3- 5	XEPSD40P12000	Screw : 4mm x 12mm	2	AA
3- 6	XHTSD40P08RV0	Screw : 4mmx 8mm	1	AA

OVEN PARTS

	4- 1	PCLICA042WREZ	Chassis clip	4	AC
	4- 2	FDUC-A345WRY0	Exhaust duct assembly	1	AP
Δ	4- 3	FOVN-A444WRY0	Oven cavity	1	BS
	4- 4	PFILWA053WRP0	Oven light screen (Inside)	1	AE
	4- 5	MLEVPA153WRF0	Switch lever A	1	AC
	4- 6	MLEVPA154WRF0	Switch lever B	1	AC
	4- 7	MLEVPA155WRF0	Switch lever C	1	AC
	4- 8	MSPRCA075WRE0	Switch spring A	1	AB
	4- 9	MSPRCA076WRE0	Switch spring B	2	AB
Δ	4-10	PHOK-A081WRF0	Latch hook	1	AP
Δ	4-11	MHNG-A216WRM0	Lower oven hinge	1	AG
	4-12	PCUSUA626WREZ	Cushion	1	AC
	4-13	PCUSU0407WRP0	Cushion	2	AA
	4-14	FGLSPA063WRY0	Ceramic shelf	1	BF
	4-15	FPLT-A008WRY0	Stirrer antenna upper assembly	1	AV
	4-16	FPLT-A009WRY0	Stirrer antenna lower assembly	1	AV
	4-17	PCUSUA538WRPZ	Cushion	1	AD
	4-18	LANGQA370WRP0	Oven lamp mounting plate	1	AD
	4-19	LBNDKA068WRP0	Capacitor holder	1	AD
	4-20	PGIDHA054WRW0	Water-proof cover	1	AF
	4-21	NSFTPA031WRF0	Antenna motor shaft	2	AH
	4-22	PZETEA087WRPZ	Insulater	1	AE
	4-23	PCUSUA417WRP0	Cushion	1	AB
Δ	4-24	MHNG-A215WRM0	Upper oven hinge	1	AG
	4-25	PCUSUA413WRP0	Cushion	1	AG
	4-26	PCUSUA415WRP0	Cushion	1	AC

Note: The parts marked "Δ" may cause undue microwave exposure.
The parts marked "*" are used in voltage more than 250V.

REF. NO.	PART NO.	DESCRIPTION	Q'TY	CODE
4-27	PDUC-A729WRF0	Air duct	1	AL
4-28	PDUC-A564WRW0	Mg exhaust duct	1	AP
4-29	PCUSUA414WRP0	Cushion	1	AD
4-30	LANGKA679WRPZ	Fixing angle S	1	AD
4-31	HDECQA147WRM0	Corner cap right	1	AE
4-32	LANGFA195WRW0	Chassis support	1	AH
4-33	LBSHCA012WRE0	Cord bushing	1	AD
4-34	FCOVPA032WRKZ	Stirrer cover assembly	1	BF
4-35	FFIL-A005WRK0	Air intake filter assembly	1	AS
4-36	HDECEA001WRP0	Decoration sash	1	AR
4-37	HDECQA146WRM0	Corner cap left	1	AE
4-38	PCUSGA409WRP0	Cushion	2	AE
4-39	LANGQA440WRM0	Earth angle	1	AE
4-40	LANGQA512WRP0	Thermistor angle	2	AE
4-41	LANGQA593WRPZ	Blower motor angle	1	AH
4-42	MSPRCA101WRE0	Switch lever spring C	1	AC
4-43	PCUSUA268WRP0	Cushion	1	AA

DOOR PARTS

Δ	5	DDORFA850WRK0	Door assembly	1	BV
Δ	5- 1	FDORFA289WRT0	Door panel assembly	1	BH
	5- 2	GCOVAA242WRY0	Door case	1	BD
	5- 3	FHNDMA011WRY0	Door lever assembly	1	AP
	5- 4	GCOVHA350WRF0	Choke cover	1	AR
	5- 5	JHNDMA039WRM0	Door handle	1	AX
	5- 6	LANGKA766WRP0	Outside window fixing plate	2	AF
	5- 7	PCUSGA430WRP0	Cushion	2	AM
	5- 8	PGLSPA457WRE0	Door glass	1	AV
	5- 9	PPACGA142WRP0	Door case packing	2	AF
	5-10	PSHEPA428WRE0	Sealer film	1	AF
	5-11	PGID-0024WRF0	Handle guide	4	AC
	5-12	XFPSD40P08K00	Screw : 4mm x 8mm	3	AA
	5-13	XHTSD40P08RV0	Screw : 4mm x 8mm	4	AA
	5-14	FANGKA200WRY0	Latch fixing angle	1	AQ
	5-15	FLEVFA019WRY0	Joint lever	1	AP
Δ	5-16	LSTPCA002WRM0	Latch head	2	AM
	5-17	MLEVPA220WRF0	Head lever	1	AM
	5-18	MSPRCA097WRE0	Latch spring	1	AG
	5-19	HBDGCA113WREZ	Door badge	1	AF
	5-20	PGID-0025WRF0	Handel spacer	1	AC
	5-21	PCUSGA486WRP0	Cushion	1	AM
	5-22	PSPA-A102WRE0	Door case spacer	2	AE
	5-23	XBPSD40P10K00	Screw : 4mm x 10mm	2	AA

MISCELLANEOUS

	6- 1	TINSMA018WRRZ	Operation manual	1	AR
	6- 2	TLABHA029WRR0	Menu sticker	1	AC
	6- 3	FW-VZB999WREZ	Switch harness	1	AP
	6- 4	FW-VZC001WREZ	Main wire harness	1	BC
	6- 5	LHLDWA040WRE0	Wire holder A	1	AB
	6- 6	LBNDKA079WRE0	Wire holder	2	AB
	6- 7	TCAUHA168WRR0	H caution label	1	AH
	6- 8	TCAUHA257WRR0	S caution sheet	1	AE
	6- 9	PZET-A018WRE0	Terminal insulator	2	AC
	6-10	TLABSA064WRR0	A017 label	1	AC
	6-11	TLABSA055WRR0	Fuse label F10A	2	AE

SCRE,NUTS AND WASHERS

	7- 1	LX-BZA131WREZ	Special screw	4	AB
	7- 2	LX-BZA138WREZ	Special screw	2	AB
	7- 3	XHTSD40P08RV0	Screw : 4mm x 8mm	14	AA
	7- 4	XONSC40P10000	Screw : 4mm x 10mm	1	AA
	7- 5	XOTSC40P12000	Screw : 4mm x 12mm	5	AA
	7- 6	XOTWW40P08000	Screw : 4mm x 8mm	5	AB
	7- 7	LX-BZA116WRE0	Special screw	2	AD
	7- 8	XOTWW40P10000	Screw : 4mm x 10mm	11	AB
	7- 9	XOTSD40P12000	Screw : 4mm x 12mm	6	AA
	7-10	LX-CZA038WRE0	Special screw	3	AA
	7-11	LX-EZA004WRE0	Special screw	2	AA
	7-12	LX-BZA041WRE0	Special screw	2	AA
	7-13	XJPSD40P10000	Screw : 4mm x 10mm	2	AA
	7-14	LX-EZA042WRE0	Special screw	12	AB
	7-15	XOTSD40P10RV0	Screw : 4mm x 10mm	3	AA
	7-16	LX-BZA064WRE0	Special screw	1	AA
	7-17	LX-WZA035WRE0	Special washer	1	AB

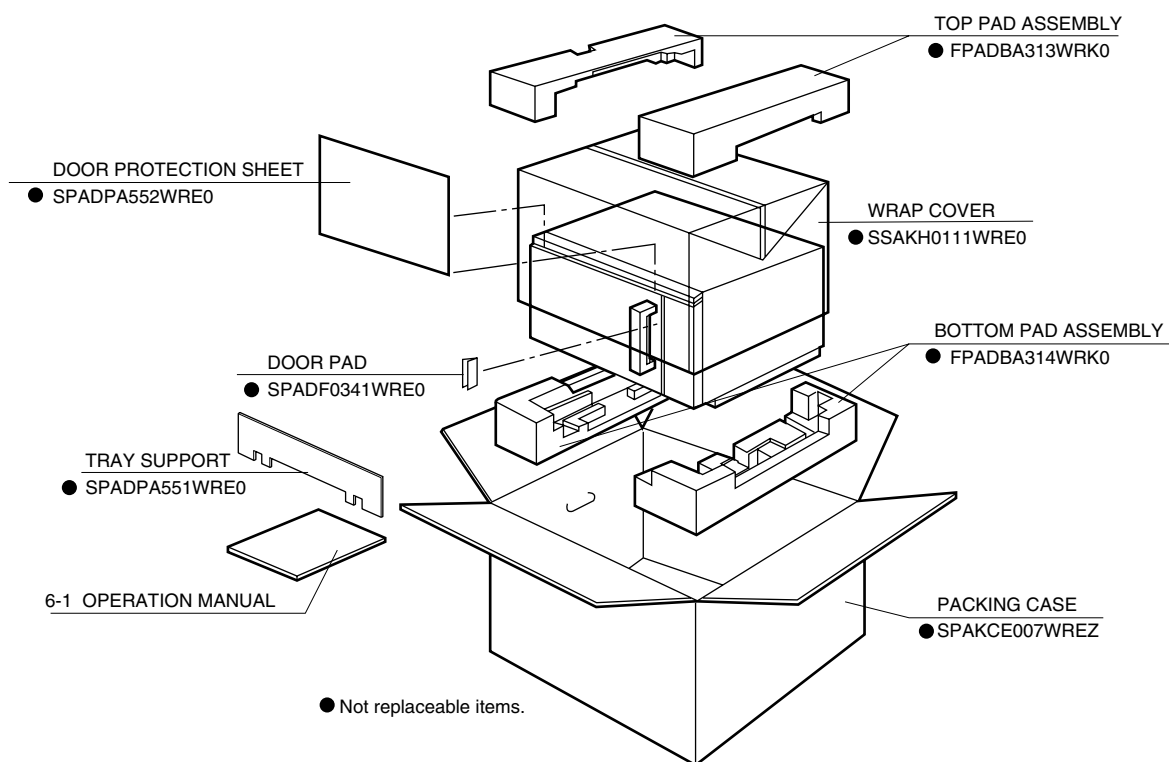
REF. NO.	PART NO.	DESCRIPTION	Q'TY	CODE
7-18	XWSSD40-10000	Washer: 4mm x 1mm	1	AA
7-19	XFTSD40P12000	Screw : 4mm x 12mm	1	AA
7-20	LX-BZA150WREZ	Special screw	1	AB
7-21	XCHWW40P08000	Screw : 4mm x 8mm	2	AB
7-22	XCPSD30P10000	Screw : 3mm x 10mm	2	AA
7-23	XBPSD30P28KS0	Screw : 3mm x 28mm	2	AA
7-24	XNESD30-24000	Nut : 3mm x 2.4mm	2	AA
7-25	XCPWW30P08000	Screw : 3mm x 8mm	2	AA
7-26	LX-BZA132WREZ	Special screw	4	AB
7-27	XOTSD40P08000	Screw : 4mm x 8mm	4	AA

HOW TO ORDER REPLACEMENT PARTS

To have your order filled promptly and correctly, please furnish the following information.

1. MODEL NUMBER
2. REF. NO.
3. PART NO.
4. DESCRIPTION

PACKING AND ACCESSORIES



OVEN AND CABINET PARTS

