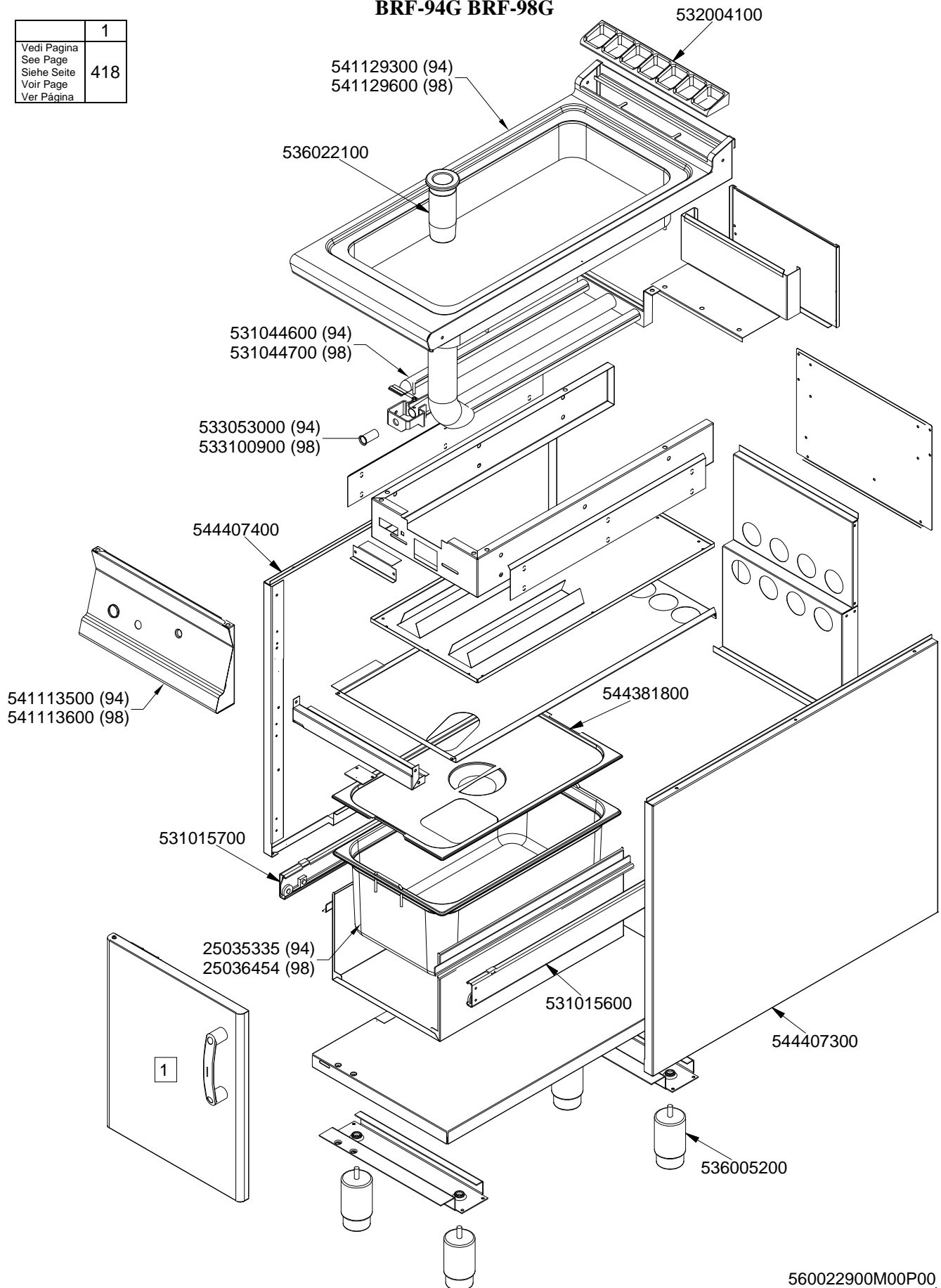


IPERLOTUS 90

GAS / GAS / GAS / GAZ

	1
Vedi Pagina See Page Siehe Seite Voir Page Ver Página	418

BRF-94G BRF-98G

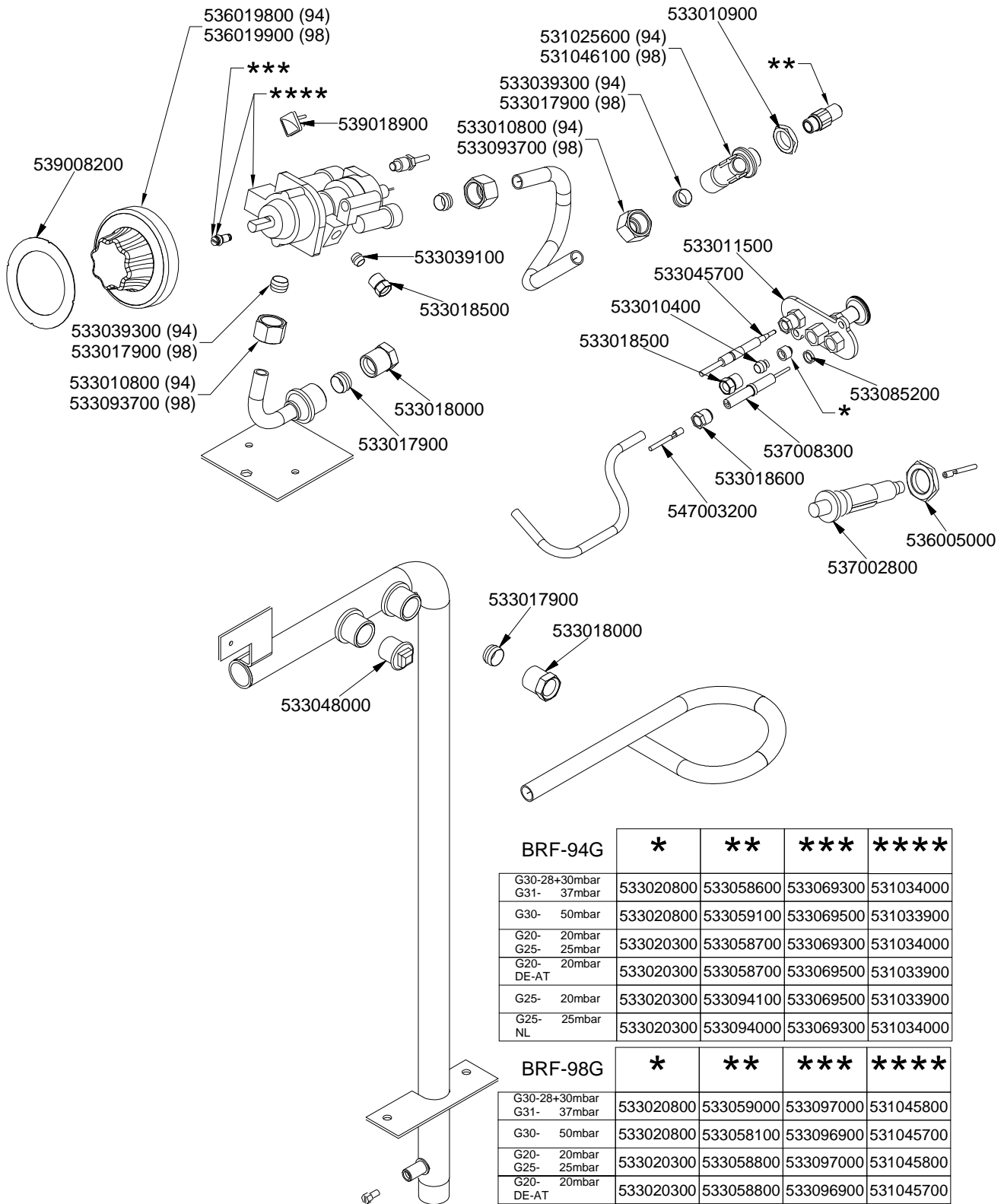


560022900M00P00

IPERLOTUS 90

GAS / GAS / GAS / GAZ

BRF-94G BRF-98G

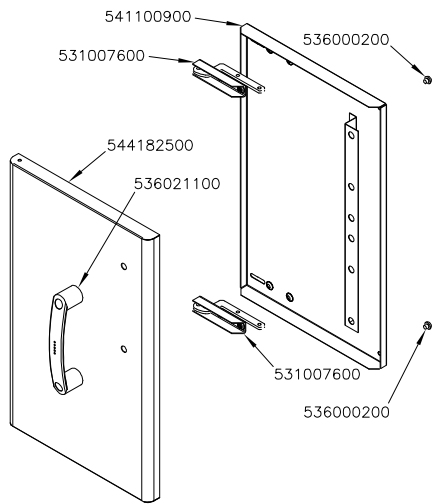


BRF-94G	*	**	***	****
G30-28+30mbar G31- 37mbar	533020800	533058600	533069300	531034000
G30- 50mbar	533020800	533059100	533069500	531033900
G20- 20mbar G25- 25mbar	533020300	533058700	533069300	531034000
G20- DE-AT	533020300	533058700	533069500	531033900
G25- 20mbar	533020300	533094100	533069500	531033900
G25- NL	533020300	533094000	533069300	531034000

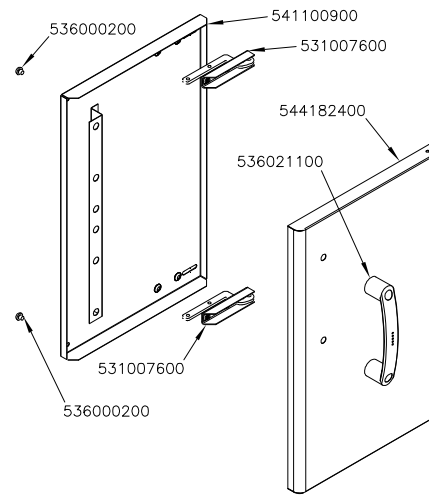
BRF-98G	*	**	***	****
G30-28+30mbar G31- 37mbar	533020800	533059000	533097000	531045800
G30- 50mbar	533020800	533058100	533096900	531045700
G20- 20mbar G25- 25mbar	533020300	533058800	533097000	531045800
G20- DE-AT	533020300	533058800	533096900	531045700
G25- 20mbar	533020300	533057400	533096900	531045700
G25- NL	533020300	533058900	533097000	531045800

560023000M00P00

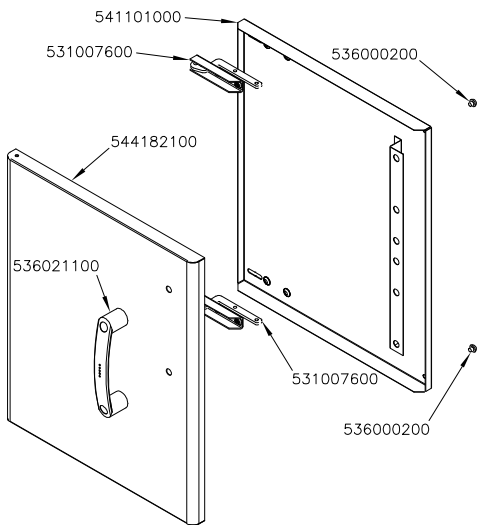
PORTE / DOORS / FLÜGELÜREN / PORTES



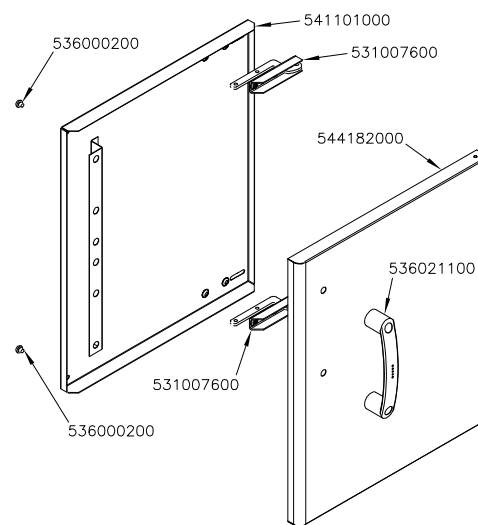
P-73/93 SX



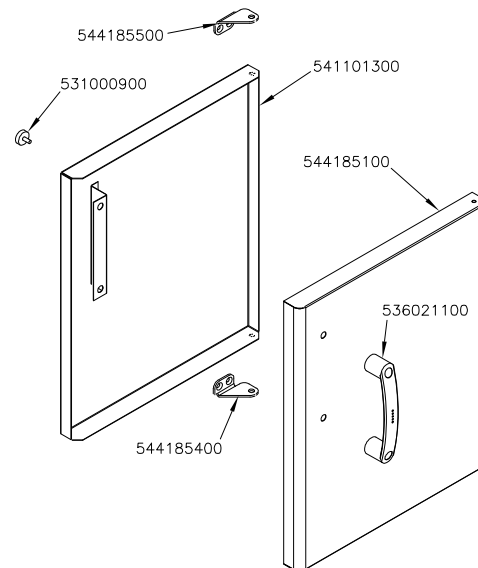
P-73/93 DX



P-74/94 SX



P-74/94 DX



P-74/94 DX CF

560012800M00P00

Page	Pos	Code	Description
001		536005200	INOX LEG 2" 120-180 M10
001		532004100	FLUE GRID L=370 70LINE (RAF)
001		536022100	PLUG FOR BRF BASIN
001		531015600	RHD TELESCOPIC GUIDE RS50 L=570
001		531015700	LHD TELESCOPIC GUIDE RS50 L=570
001		544381800	GN1/1 LID BRF W/MANUAL DISCHARGE
001		541129600	UPPER PLATE BRF-98G
001		531044700	BURNER BRF-98G
001		25036454	
001		541113600	UPPER PLATE BRF-78G
001		533100900	AIR ADJUSTMENT BUSHING D22 EST.H38
001		544407400	LEFT SIDE PANEL 70 LINE
001		544407300	RIGHT SIDE PANEL 90 LINE
002		536019900	BLACK KNOB §70 PIN §10*8
002		533010900	NUT M14*1 H.4
002		539008200	ADHESIVE GRADUATED DISC FOR KNOB
002		531046100	FITTING FOR NOZZLE-SUPPORT TUBE D12
002		533017900	BICONE D.12
002		539018900	INDEX FOR KNOB
002		533093700	HEXAGONAL NUT M20X1,5
002		533039100	BICONE §6
002		533018500	FITTING FOR BICONE D.6 M10*1
002		533011500	PILOT BURNER 2 FLAMES 220
002		533045700	THERMOCOUPLE M9*1 500
002		533010400	BICONE D.6
002		533018000	ELBOW FOR BICONE D.12 3/8 RS L20
002		533048000	THREADED CAP 3/8"G
002		537008300	ROUND PLUG §2,4- LONG ELECTRODE
002		533018600	PLUG FITTING
002		533085200	
002		536005000	NUT M18 FOR PIEZOELECTRIC IGNITION
002		537002800	PIEZOELECTRIC IGNITION M18
002		533020800	NOZZLE 0160-FLUSS. (25)
002		533020300	NOZZLE 0160 (NATURAL GAS) 1-2 (41)
002		533059000	NOZZLE §210A CH12*30 G-BRF98
002		533058100	NOZZLE §190 CH12*30 G-BRF78
002		533058800	NOZZLE §340 CH12*30 H-BRF98
002		533057400	NOZZLE §390 CH12*30 L-BRF98
002		533058900	NOZZLE §340 CH12*30 H-BRF98
002		533097000	COCK BY-PASS 24ST 23SV D150
002		533096900	COCK BY-PASS 24ST 23SV D125
002		531045800	GAS COCK 24ST BY PASS D150 HORIZ.P
002		531045700	GAS COCK 24ST BY PASS D125 HORIZ.P
003		536000200	D.12 H.4 BUMPER
003		531007800	
003		541100900	INNER DOOR 73
003		531007600	DOOR HINGE
003		544182500	RIGHT DOOR 73
003		536021100	BLACK HANDLE 70LINE + 2RED POINTS
003		544182400	RIGHT DOOR 73
003		544182000	RIGHT DOOR 74

Page	Pos	Code	Description
003		541101000	INNER DOOR 74
003		544182100	LEFT DOOR 74
003		544185400	LOWER DOOR HINGE FOR COMPARTME CF70
003		544185100	RIGHT DOOR 74
003		541101300	RIGHT INNER DOOR 74 CF
003		544185500	UPPER DOOR HINGE FOR COMPARTME CF70
003		531000900	MAGNET §22 KG.3 WITH DISK