

- 541097701 (L-74G)
- 541097801 (R-74G)
- 541097901 (L-74GS)
- 541098001 (R-74GS)
- 541136201 (L-76G)
- 541136301 (LR-76G)
- 541136401 (R-76G)
- 541136501 (L-76GS)
- 541136601 (LR-76GS)
- 541136701 (R-76GS)
- 541098101 (L-78G)
- 541098201 (LR-78G)
- 541098301 (R-78G)
- 541098401 (L-78GS)
- 541098501 (LR-78GS)
- 541098601 (R-78GS)
- 541098701 (L-712G)
- 541098801 (LR-712G)
- 541098901 (R-712G)
- 541099001 (L-712GS)
- 541099101 (LR-712GS)
- 541099201 (R-712GS)

544023800 (R/LR)

- 544181201 (74)
- 544117001 (76)
- 544181301 (78)
- 544181401 (712)

544023901

532004100

- 544181201 (74)
- 544117001 (76)
- 544181301 (78)
- 544181401 (712)

531026000

541096200

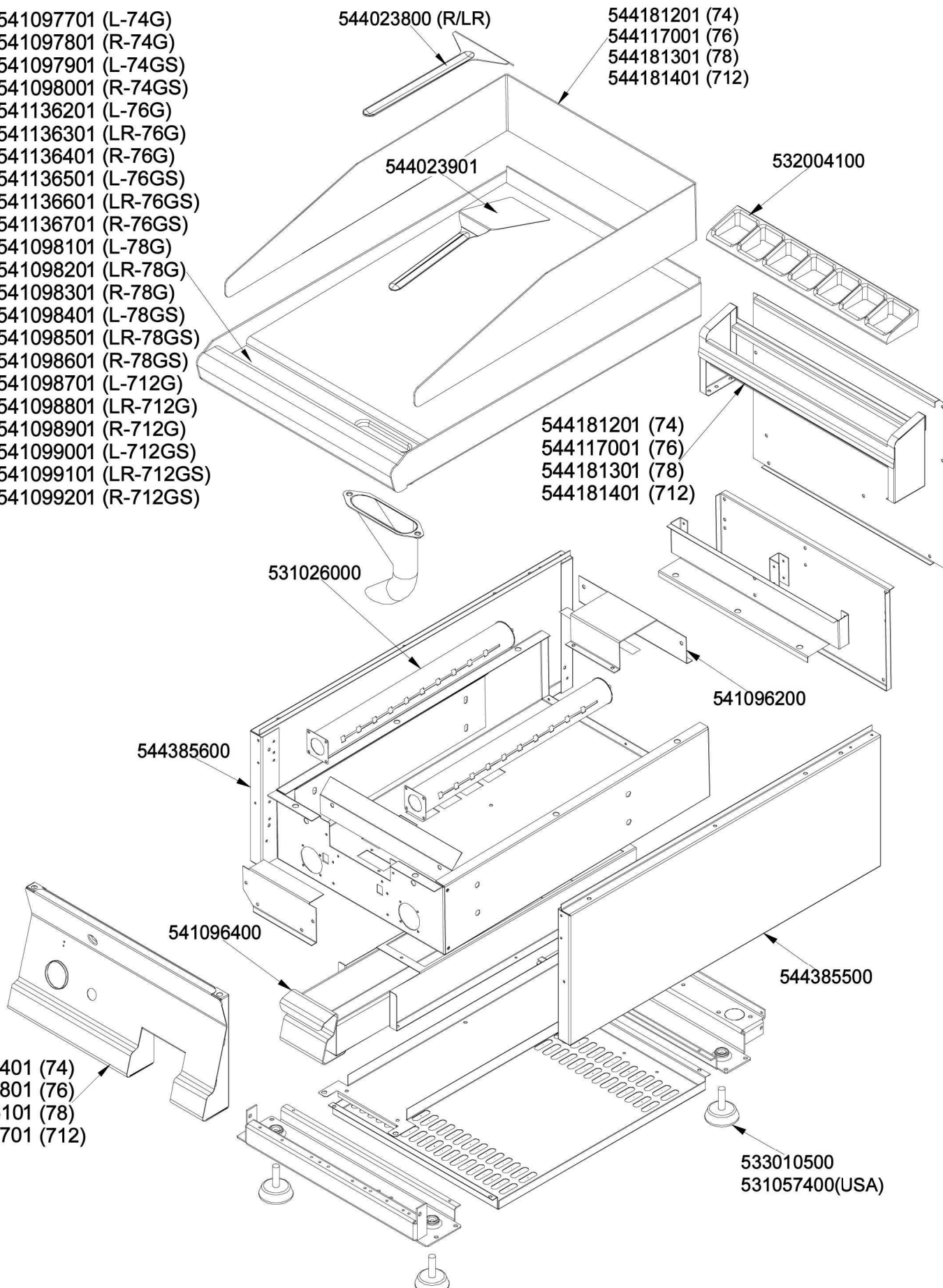
544385600

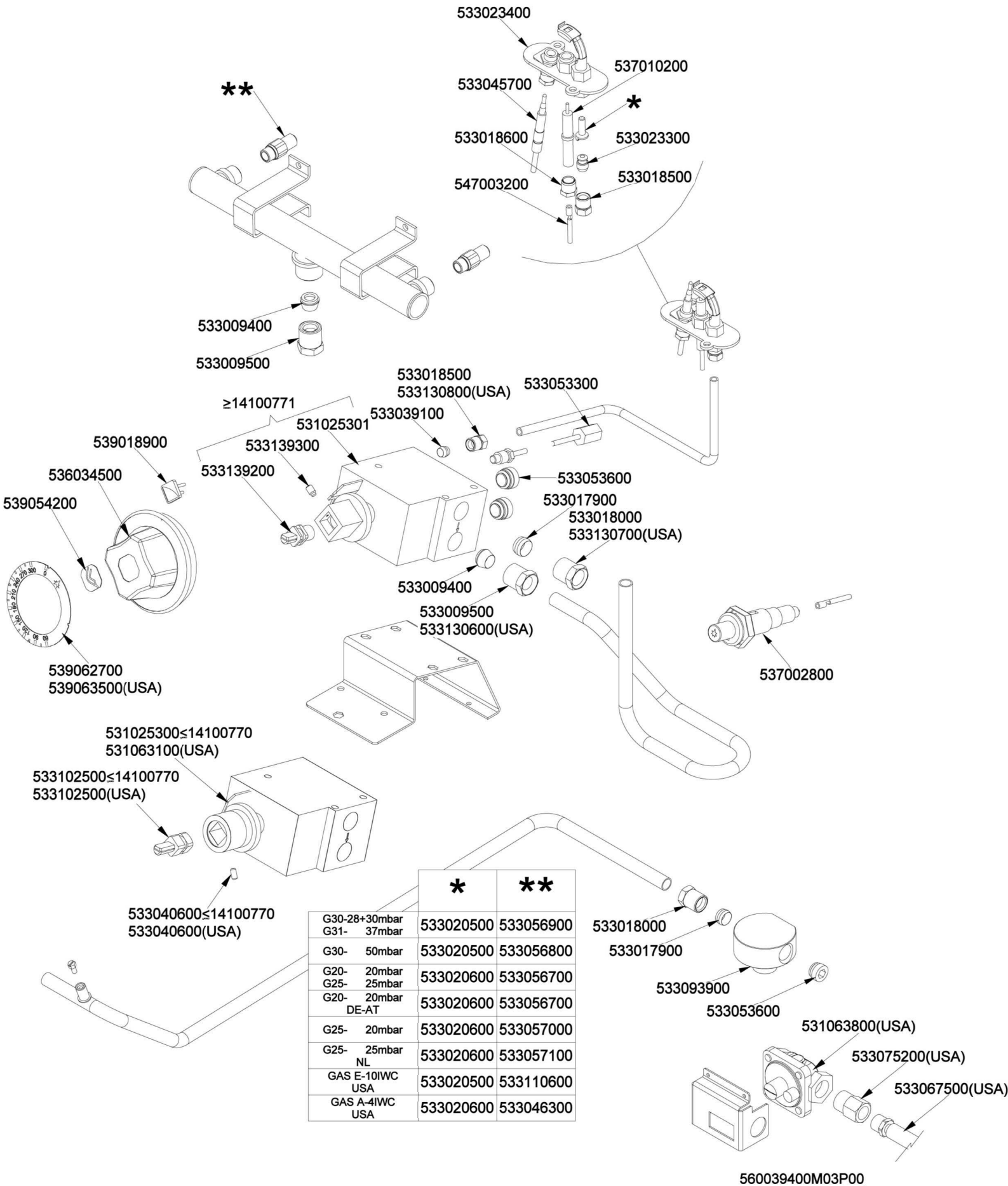
541096400

544385500

- 541101401 (74)
- 541147801 (76)
- 541096101 (78)
- 541102701 (712)

533010500
531057400(USA)

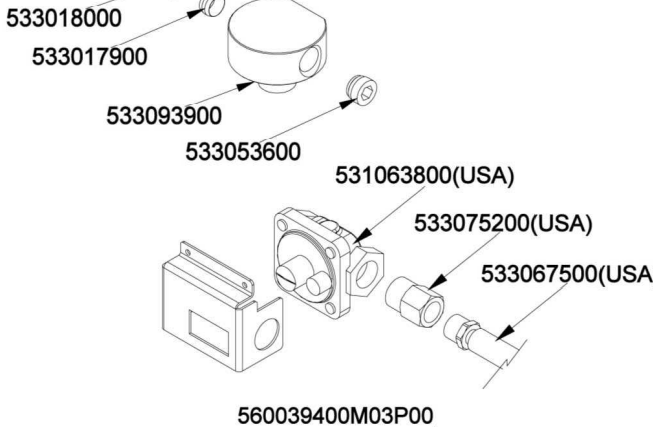
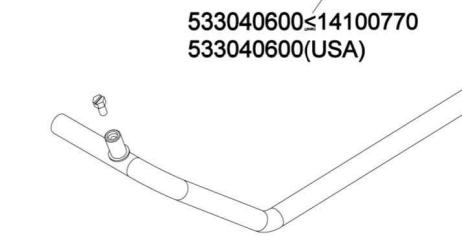
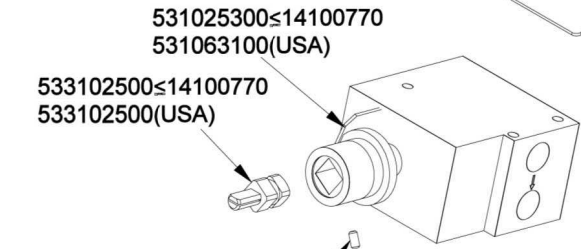
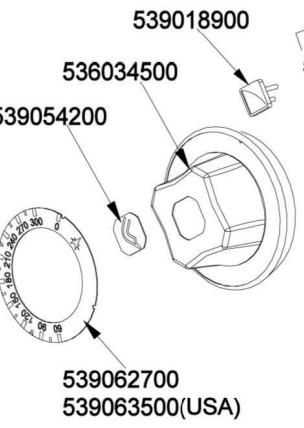
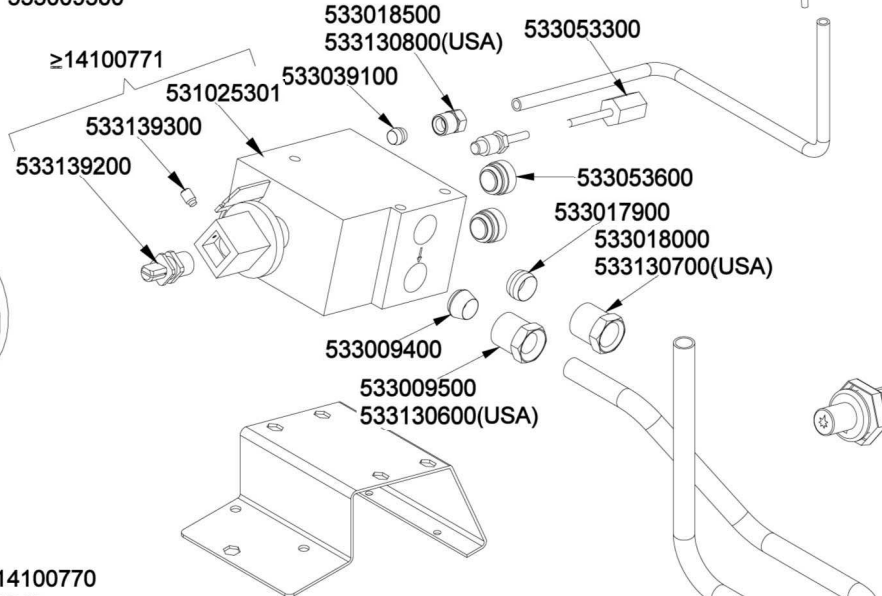
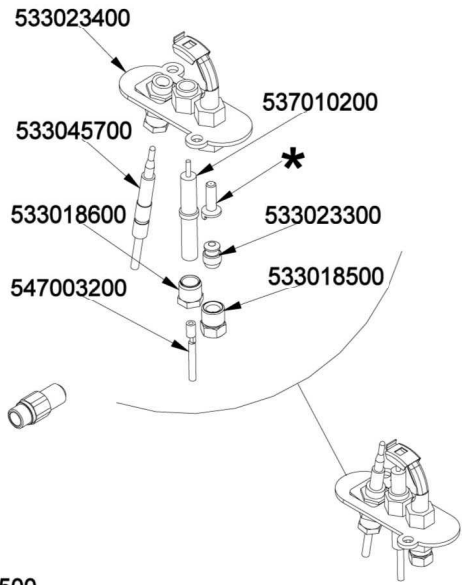
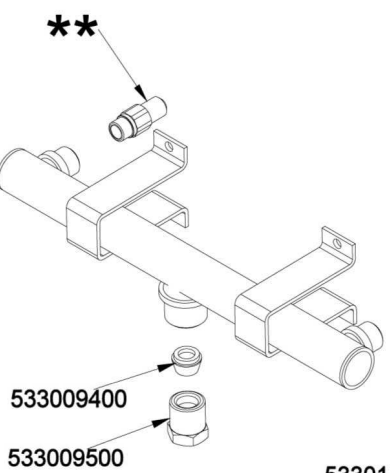




**

*

	*	**
G30-28+30mbar G31- 37mbar	533020500	533056900
G30- 50mbar	533020500	533056800
G20- 20mbar G25- 25mbar	533020600	533056700
G20- 20mbar DE-AT	533020600	533056700
G25- 20mbar	533020600	533057000
G25- 25mbar NL	533020600	533057100
GAS E-10IWC USA	533020500	533110600
GAS A-4IWC USA	533020600	533046300



Page	Pos	Code	Description
001		541097701	UPPER PLATE S70 FTL-74G (RIC
001		541097901	UPPER PLATE S70 FTL-74GS (RIC
001		544181201	SPLASH GUARD FT-74
001		544023901	SPATTLE FOR FRY-TOP
001		532004100	FLUE GRID L=370 90LINE (RAF
001		531026000	BURNER FT-4/6/8G BM-4G
001		541096200	BURNER SUPPORT FT-74G FT-78G
001		544385600	LEFT SIDE OF 70T LINE
001		541096400	DRIP TRAY FT S.70
001		544385500	RIGHT SIDE OF 70T LINE
001		541101401	CONTROL PANEL S70/90 FT-74G FT-94G
001		533010500	LEG M10*25 D.40
002		533023400	"TARGET" PILOT + NIPPLE TC
002		537010200	ROUND PLUG §2,4 - SHORT ELECTRODE
002		533045700	THERMOCOUPLE M9*1 500
002		533018600	PLUG FITTING
002		533023300	BICONE §6 ("TARGET" PILOT
002		533018500	FITTING FOR BICONE D.6 M10*1
002		547003200	HIGH-VOLTAGE CABLE TUBE.§2 L=500
002		533009400	BICONE 10S
002		533009500	NIPPLE FOR BICONE 10S
002		533053300	THERMOCOUPLE EXTENSION M9*1
002		533039100	BICONE §6
002		531025301	EUROSIT VALVE 80-320°C FT M.OT.
002		533139300	BURNISH HEADLESS SCREW M05*05 PCEI
002		533139200	SHORT PIVOT FOR BRASS KNOB
002		539018900	INDEX FOR KNOB W/RED SIGN
002		536034500	KNOB §77 4P. §08*6,5
002		539054200	STAMP Ø20,5 CR."L" LOTUS R.
002		533053600	EUROSIT VALVE PLUG
002		533017900	BICONE D.12
002		533018000	ELBOW FOR BICONE D.12 3/8 RS L20
002		539062700	RED STICKING DISK 72 (060,300°
002		537002800	PIEZOELECTRIC IGNITION M18 WITH NUT
002		531025300	VALVE EUROSIT FT 80-320°C
002		533102500	SHORT PIVOT FOR PLASTIC KNOB
002		533040600	HEADLESS SCREW M4*8
002		533020500	NOZZLE 0.140 §19
002		533020600	NOZZLE 0.140 §27
002		533056900	NOZZLE §87 CH12*30 G-FT4/8
002		533056800	NOZZLE §77 CH12*30 F-FT4/8
002		533056700	NOZZLE §135A CH12*30 M-FT4/8
002		533057000	NOZZLE §150A CH12*30 L-FT4/8
002		533057100	NOZZLE §140A CH12*30 M-FT4/6/8
002		533110600	NOZZLE §390 CH12*30 L-BRF98
002		533046300	NOZZLE §160 CH12*30 F-CPM
002		533093900	FITTING GAS ENTRY 1/2G 2OUT 3/8G