


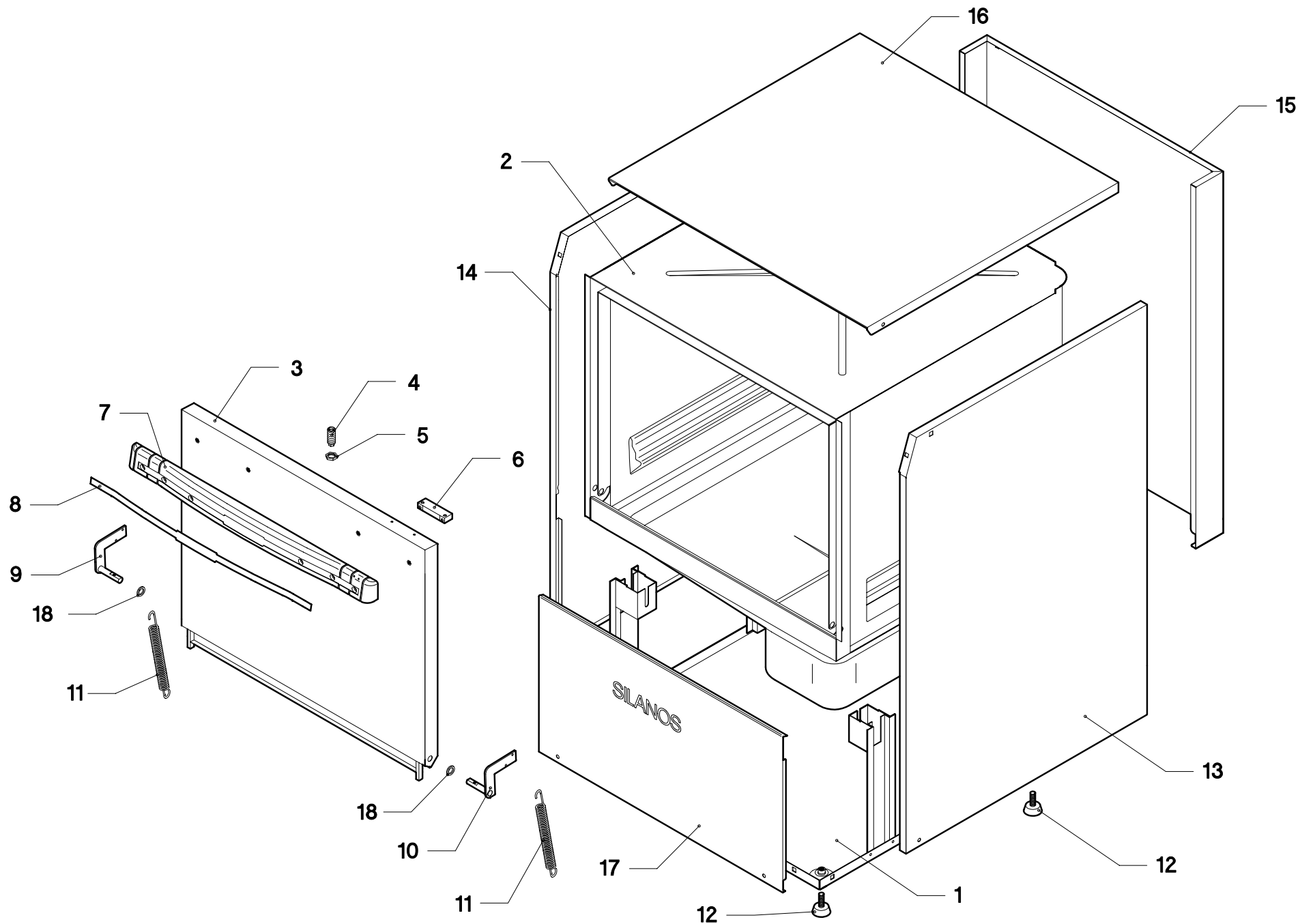


|    |                            |
|----|----------------------------|
| I  | LAVASTOVIGLIE INDUSTRIALI  |
| F  | LAVE-VAISSELLE INDUSTRIELS |
| GB | INDUSTRIAL DISHWASHER      |
| D  | INDUSTRIEGESCHIRRSPÜLER    |
| ES | LAVAVAJILLAS INDUSTRIALES  |

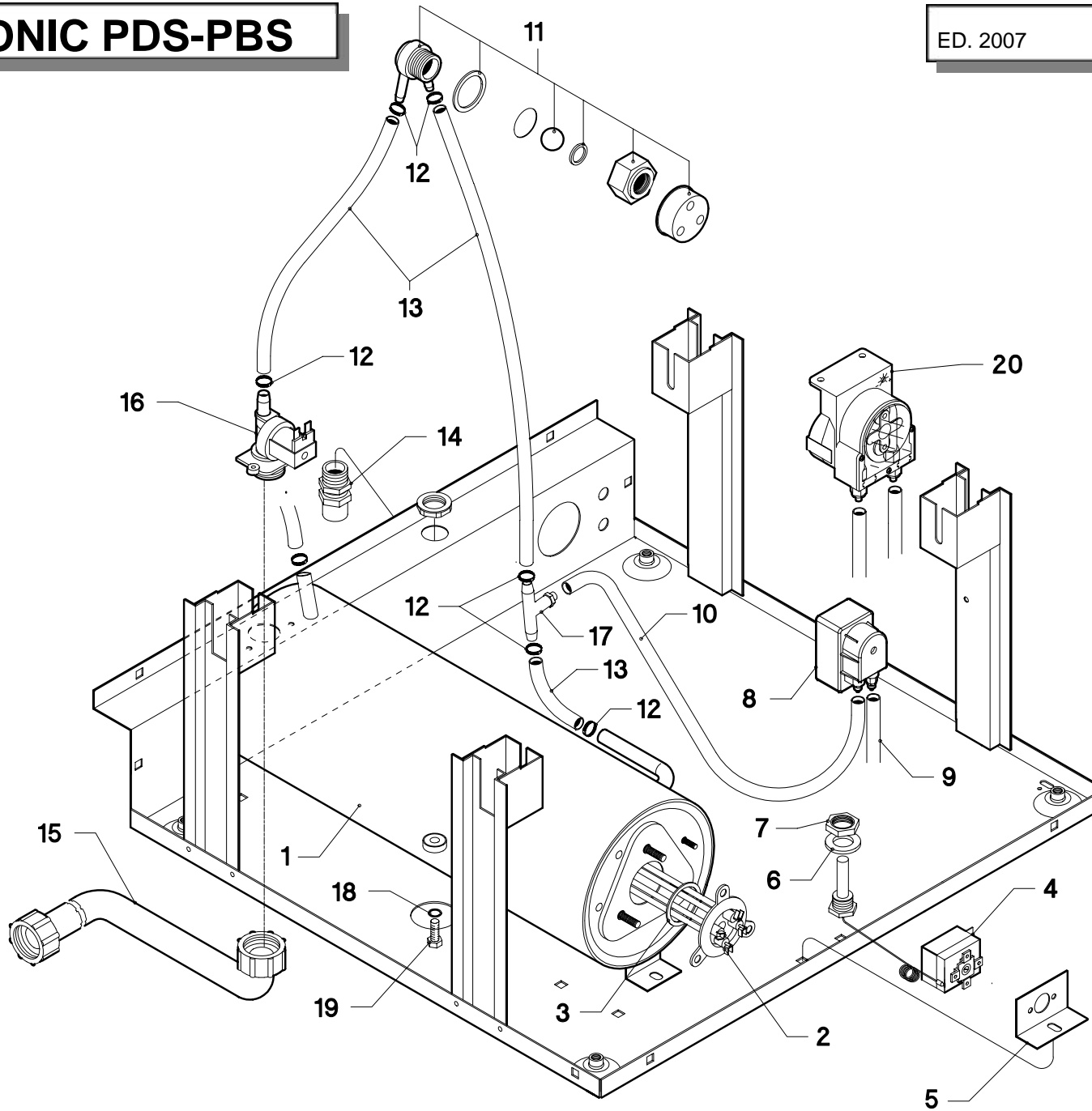


## **N50TRONIC PDS-PBS**

|   |                             |                            |
|---|-----------------------------|----------------------------|
|  | MANUALE PARTI DI RICAMBIO   |                            |
|   | CATALOGUES PIÉCES DETACHEES |                            |
|   | SPARE PARTS MANUAL          |                            |
|   | ERSATZTEILEKATALOG          |                            |
| 2007  | Cod. 200739                 | MANUAL PARTES DE REPUESTOS |



| <b>Pos.</b> | <b>COD.</b> | <b>Q.tà</b> | <b>DESCRIZIONE</b>   | <b>DENOMINATION</b>     | <b>DESCRIPTION</b> | <b>BEZEICHNUNG</b>  | <b>DESCRIPCIÓN</b>      |
|-------------|-------------|-------------|----------------------|-------------------------|--------------------|---------------------|-------------------------|
| 1           | 900266      | 1           | BASAMENTO            | SOCLE                   | BASE               | UNTERSTRUKTUR       | BASE                    |
| 2           | 901706      | 1           | VASCA                | CUVE                    | TANK               | TANK                | PILETA                  |
| 3           | 904345      | 1           | PORTA                | PORTE                   | DOOR               | TÜR                 | PUERTA                  |
| 4           | 906121      | 1           | SCROCCHETTO          | CLIQUET FERMETURE PORTE | DOOR CATCH         | SCHNAPPVERSCHLUSS   | SCROCCHETO              |
| 5           | 902023      | 1           | DADO SCROCCHETTO     | ECROU DE CLIQUET        | NUT CATCH          | KLIKENMUTTER        | TUERCA                  |
| 6           | 903651      | 1           | CUSTODIA CON MAGNETE | PROTECTION MAGNETO      | COVER MAGNET       | MAGNETSCHUTZ        | ESTUCHE CON IMÁN        |
| 7           | 903934      | 1           | MANIGLIA             | MANILLE                 | HANDLE             | KLINKE              | MANILLA                 |
| 8           | 901661      | 1           | PROFILO MANIGLIA     | LISTEAU MANILLE         | HANDLETRIM         | KLINKE PROFIL       | PERFIL MANILLA          |
| 9           | 901249      | 1           | CERNIERA SX          | CHARNIÈRE GAUCHE        | LEFT HINGLE        | LNK SCHARNIER       | BISAGRA IZQUIERDA       |
| 10          | 901248      | 1           | CERNIERA DX          | CHARNIÈRE DROITE        | RIGHT HINGLE       | RCT SCHARNIER       | BISAGRA DERECHA         |
| 11          | 908041      | 2           | MOLLA                | RESSORT                 | SPRING             | SCEIBE              | RESORTE                 |
| 12          | 904990      | 4           | PIEDINO              | PIED                    | RUBBER LEG         | EINSTELLBARERSOCKE  | PIÉ                     |
| 13          | 904590      | 1           | PANNELLO LATERALE DX | PANNEAU DROITE          | RIGHT PANEL        | RECHTE VERKLEIDUNG  | PANEL DERECHO LATERAL   |
| 14          | 904591      | 1           | PANNELLO LATERALE SX | PANNEAU GAUCHE          | LEFT PANEL         | LINKE VERKLEIDUNG   | PANEL IZQUIERDO LATERAL |
| 15          | 904596      | 1           | PANNELLO POSTERIORE  | PANNEAU POSTERIEUR      | BACK PANEL         | HINTERE VERKLEIDUNG | PANEL POSTERIOR         |
| 16          | 904587      | 1           | PANNELLO SUPERIORE   | PANNEAU SUPERIEUR       | UPPER SIDE PANEL   | OBERE VERKLEIDUNG   | PANEL SUPERIOR          |
| 17          | 904652      | 1           | PANNELLO INFERIORE   | PANNEAU INFERIEUR       | LOWER PANEL        | UNTERE VERKLEIDUNG  | PANEL INFERIOR          |
| 18          | 908146      | 2           | GUARNIZIONE          | JOINT                   | GASKET             | DICHTUNG            | GUARNICIÓN              |

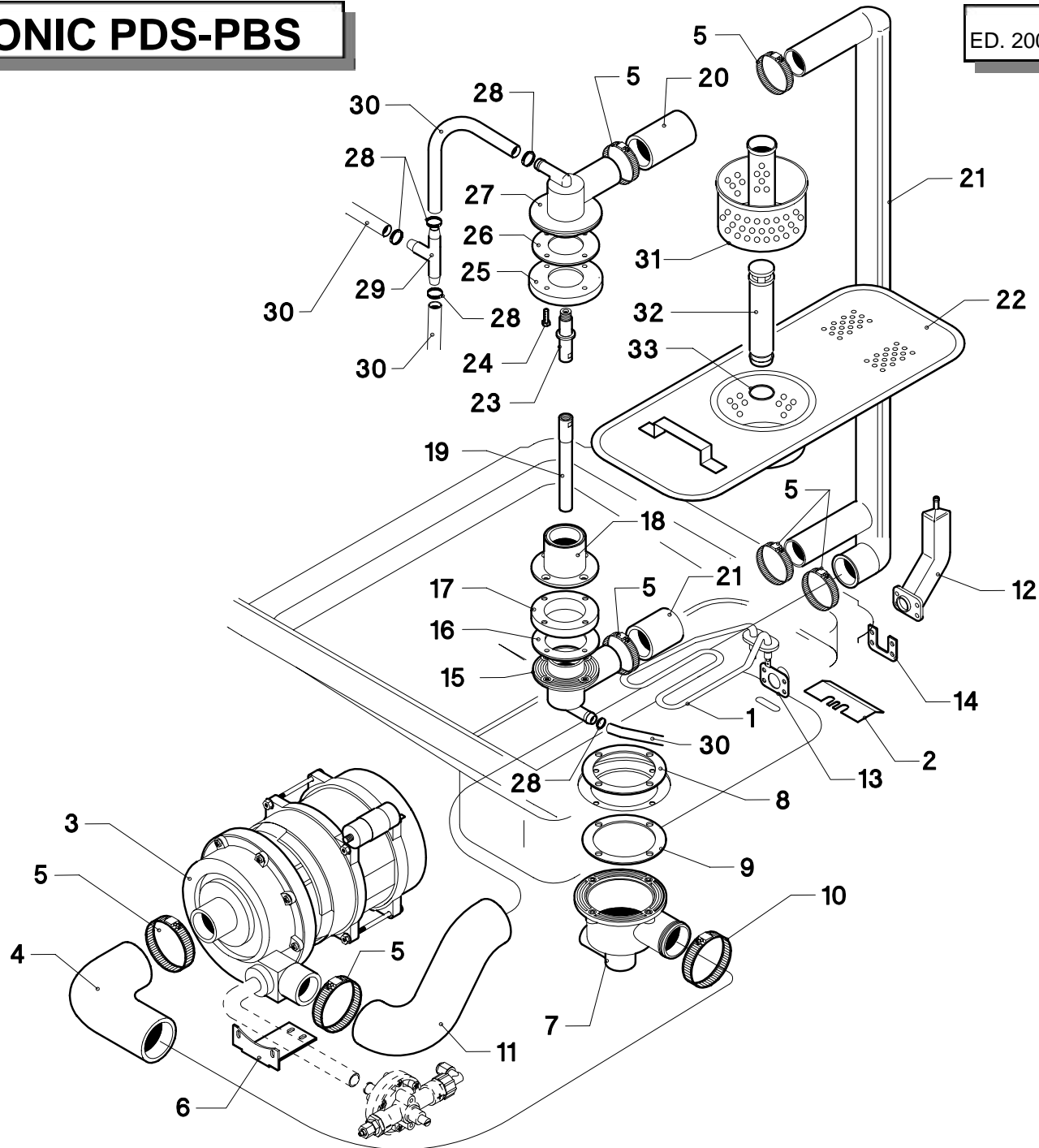


**N50 TRONIC PDS-PBS**

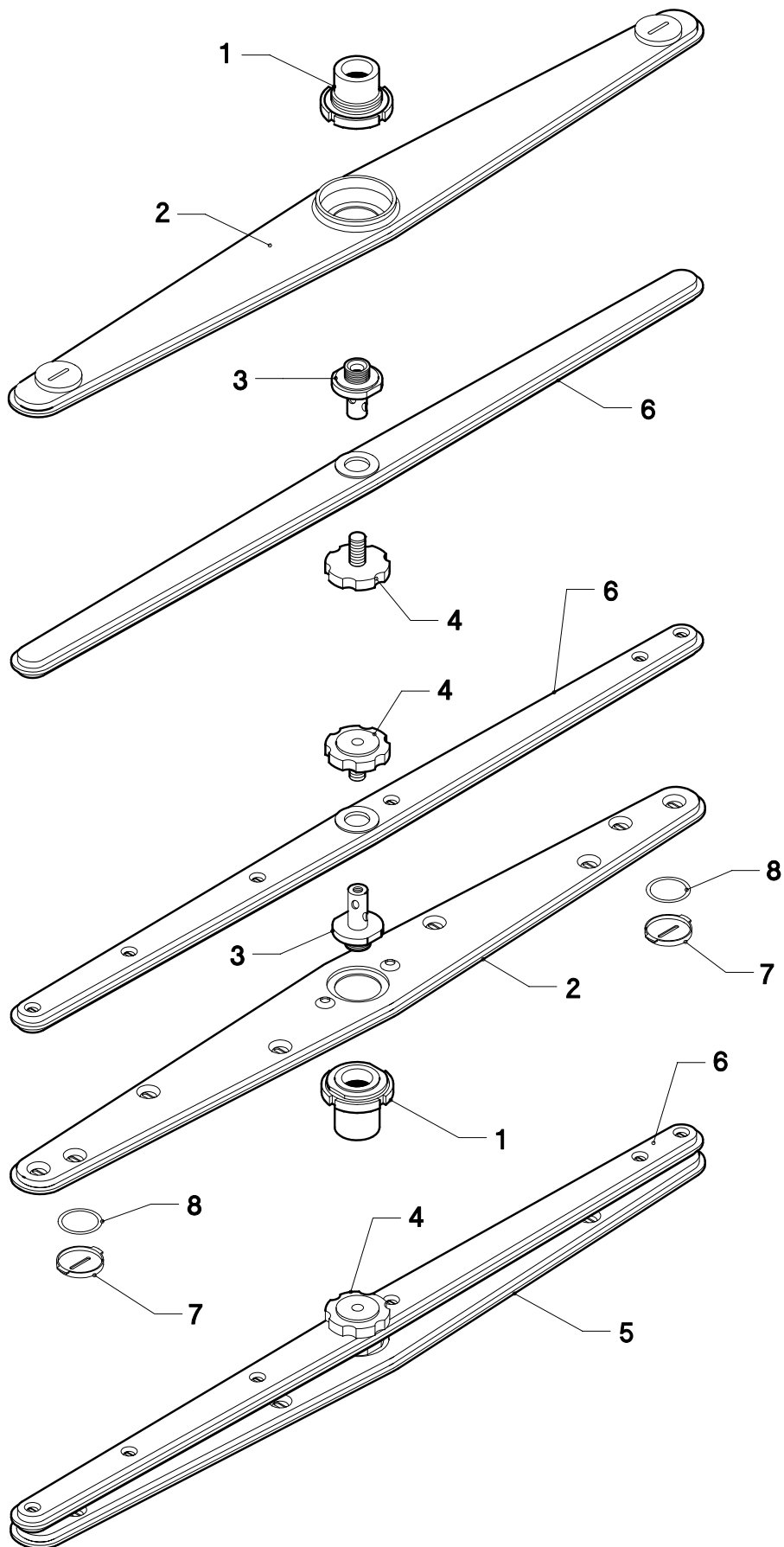
ED. 2007

**TAV. 2**

| <b>Pos.</b> | <b>COD.</b> | <b>Q.tà</b> | <b>DESCRIZIONE</b>           | <b>DENOMINATION</b>       | <b>DESCRIPTION</b>  | <b>BEZEICHNUNG</b>      | <b>DESCRIPCIÓN</b>          |
|-------------|-------------|-------------|------------------------------|---------------------------|---------------------|-------------------------|-----------------------------|
| 1           | 900353      | 1           | BOILER 4,5KW                 | CHAUFFE EAU               | BOILER              | HEISSWASSERSPEICHER     | BOILER                      |
| 2           | 905560      | 1           | RESISTENZA 4,5KW             | RESISTANCE                | HEATINGELEMENT      | HEIZKÖRPER              | RESISTENCIA                 |
| 3           | 907981      | 1           | O-RING                       | O-RING                    | O-RING              | O-RING                  | O-RING                      |
| 4           | 906367      | 1           | SUPPORTO TERMOSTATI          | SUPPORT THERMOSTAT        | THERMOSTAT SUPPORT  | THERMOSTATHALTER        | SOPORTE TERMÓSTATO          |
| 5           | 907124      | 1           | TERMOSTATO VASCA             | THERMOSTAT                | THERMOSTAT          | THERMOSTAT              | TERMÓSTATO PILETA           |
| 6           | 904991      | 1           | GUARNIZIONE                  | JOINT                     | GASKET              | DICHTUNG                | GUARNICIÓN                  |
| 7           | 902104      | 1           | GHIERA 3/8" GAS              | VIROLE                    | LOCK-NUT            | NUT-MUTTER              | DADO DE AJUSTE              |
| 8           | 902051      | 1           | DOSATORE BRILLANTANTE        | DOSEUR PRODUIT DE RINÇAGE | RINSE-AID DISPENSER | KLARSPÜLMITTELDOSIERUNG | DOSIFICADOR DE ABRILLANTADO |
| 9           | 907278      | 1           | TUBO 4X6 CRYSTAL TRASPARENTE | TUYAU CRISTAL             | CRYSTAL PIPE        | KRISTALLROHR            | TUBO CRISTAL                |
| 10          | 907279      | 1           | TUBO SILICONE 4 x 7          | TUYAU DE SILICONE         | SILICONE PIPE       | SILIKONROHR             | TUBO DE SILICONA            |
| 11          | TR2433      | 1           | VALVOLA ANTIRIFLUSSO         | VALVE                     | VALVE               | VENTIL                  | VALVULA                     |
| 12          | 902440      | 6           | FASCETTA 13 ÷ 20             | COLLIER                   | CLAMP               | SHELLE                  | ABRAZADERA                  |
| 13          | 907295      | 3           | TUBO GOMMA 12 x 19,5         | TUYAU EN CAOUTCHOUC       | RUBBER HOSE         | GUMMISCHLAUCH           | TUBO GOMA                   |
| 14          | 902683      | 1           | PRESSACAVO PG. 16            | FIXAGE DU CABLE D'ALIM.   | FIXING CABLE        | KABELBEFESTIGER         | PRESACAVO                   |
| 15          | 907344      | 1           | TUBO DI CARICO               | TUYAU D'ENTREE DE L'EAU   | INLETPipe           | WASSERZUFÜHRROHR        | TUBO                        |
| 16          | 902390      | 1           | ELETTRIVALVOLA 1 VIA         | SOUPAPE ELECTRIQUE        | ELECTRICVALVE       | ELEKTROVENTIL           | VALVULA ELECTRICA           |
| 17          | 905408      | 1           | RACCORDO A "T"               | RACCORD                   | PIPEFITTING         | ANSCHLUSSE              | EMPALME                     |
| 18          | 904430      | 1           | O-RING                       | O-RING                    | O-RING              | O-RING                  | O-RING                      |
| 19          | 907820      | 1           | VITE T.E. M8x12              | VIS                       | SCREW               | SCHRAUBE                | TORNILLO                    |
| 20          | 902052      | 1           | DOSATORE DETERSIVO           | DOSEUR DÉTERSIF           | DETERGENT DISPENSER | REINIGENDE ZUFUHR       | DOSIFICADOR DE DETERGENTE   |



| Pos. | COD.   | Q.tà | DESCRIZIONE                | DENOMINATION                | DESCRIPTION                 | BEZEICHNUNG               | DESCRIPCIÓN              |
|------|--------|------|----------------------------|-----------------------------|-----------------------------|---------------------------|--------------------------|
| 1    | 905858 | 1    | RESISTENZA 2000W           | RESISTANCE                  | HEATINGELEMENT              | HEIZKÖRPER                | RESISTENCIA              |
| 2    | 904957 | 1    | PROTEZIONE RESISTENZA      | PROTECTION RESISTANCE       | HEATINGELEMENT PROTECTION   | HEIZKÖRPER SCHUTZ         | PROTECCION RESISTENCIA   |
| 3    | 902304 | 1    | POMPA 0,60 HP              | POMPE                       | PUMP                        | PUMPE                     | BOMBA                    |
| 4    | 908136 | 1    | MANICOTTO ASPIRAZIONE      | MANCHON D'ASPIRATION        | INTAKE PIPE FITTING         | ANSAUGANSHLUSSE           | PALANCA DE ASPIRACIÓN    |
| 5    | 902441 | 7    | FASCETTA 38 ÷ 50           | COLLIER                     | CLAMP                       | SHELLE                    | ABRAZADERA               |
| 6    | 906356 | 1    | SUPPORTO POMPA             | SUPPORT POMPE               | PUMP SUPPORT                | PUMPE TERUNG              | SOPORTE BOMBA            |
| 7    | 905255 | 1    | POZZETTO                   | PUISARD                     | SUMP                        | SCHACHT                   | POZUELO                  |
| 8    | 905256 | 1    | FLANGIA                    | VIS                         | SCREW                       | SCHRAUBE                  | SOPORTE                  |
| 9    | 905257 | 1    | GUARNIZIONE                | JOINT                       | GASKET                      | DICHTUNG                  | GUARNICIÓN               |
| 10   | 902460 | 1    | FASCETTA 26 ÷ 38           | COLLIER                     | CLAMP                       | SHELLE                    | ABRAZADERA               |
| 11   | 908137 | 1    | MANICOTTO MANDATA          | TUYAU DE DÉCHARGÉ           | OUTLEPIPE                   | ABLAUSCHLAUCH             | TUBO DESAGOTE            |
| 12   | 907254 | 1    | TRAPPOLA ARIA              | RESERVOIR AIR               | AIR TRAP                    | LUFTFALLE                 | TRAMPA DEL AIRE          |
| 13   | 903261 | 1    | GUARNIZIONE                | JOINT                       | GASKET                      | DICHTUNG                  | GUARNICIÓN               |
| 14   | 907926 | 1    | PIASTRINA TRAPPOLA         | PLAQUE PIEGE                | TRAP PLATE                  | PLATTE MIT FANGSTELLE     | CHAPA TRAMPA             |
| 15   | 905456 | 1    | MOZZO LAVAGGIO/RISCIACQUO  | MOYEU DE LAVAGE/RINÇAGE     | WASHING/RINSE HUB           | SPÜLUNG/NASCHSPÜLUNG NABE | BUJE DE LAVADO/ENJUAGUE  |
| 16   | 908141 | 1    | GUARNIZIONE                | JOINT                       | GASKET                      | DICHTUNG                  | GUARNICIÓN               |
| 17   | 902183 | 1    | DISTANZIALE                | ENTRETOISE                  | SPACER                      | ENTFERNUNGSSTÜCK          | DISTANCIADOR             |
| 18   | 905388 | 1    | RACCORDO INFER. LAVAGGIO   | RACCORD DE LAVAGE INFER.    | WASHING INFER. PIPE FITTING | UNTERANSCHLUSS WASCHEN    | EMPALME INFER. DE LAVADO |
| 19   | 908149 | 1    | PERNO RISCIACQUO INFERIORE | TOURILLON DE RINÇAGE INFER. | INFERIOR RINSE PIN          | UNTERSPELLSTIFT           | PERNO ENJUAGUE INFERIOR  |
| 20   | 903756 | 2    | TUBO GIUNZIONE             | TUYAU                       | PIPE                        | SCHLAUCH                  | TUBO                     |
| 21   | 903743 | 1    | TUBO MANDATA SUPERIORE     | TUYAU DE REFOUL. SUPERIEUR  | UPPER OUTLET PIPE           | OBEREAUSLASSROHR          | TUBO DE MANDO SUPERIOR   |
| 22   | 904471 | 1    | FILTRO                     | FILTRE                      | FILTER                      | FILTER                    | FILTRO                   |
| 23   | 904799 | 1    | PERNO RISCIACQUO           | TOURILLON DE RINÇAGE        | RINSE PIN                   | SPÜLLSTIFT                | PERNO ENJUAGUE           |
| 24   | 907869 | 4    | VITE M5x12                 | VIS                         | SCREW                       | SCHRAUBE                  | TORNILLO                 |
| 25   | 908124 | 1    | FLANGIA                    | FLASQUE                     | FLANGE                      | FLANSCH                   | SOPORTE                  |
| 26   | 908141 | 1    | GUARNIZIONE                | JOINT                       | GASKET                      | DICHTUNG                  | GUARNICIÓN               |
| 27   | 905449 | 1    | MOZZO SUPERIORE SX         | MOYEU SUPERIEUR SX          | UPPER HUB SX                | OBERNABE SX               | BUJE SUPERIOR SX         |
| 28   | 902440 | 4    | FASCETTA 13 ÷ 20           | COLLIER                     | CLAMP                       | SHELLE                    | ABRAZADERA               |
| 29   | 905382 | 1    | RACCORDO A "T"             | RACCORD                     | PIPEFITTING                 | ANSCHLUSSE                | EMPALME                  |
| 30   | 907295 | 2    | TUBO GOMMA 12 x 19,5       | TUYAU EN CAOUTCHOUC         | RUBBER HOSE                 | GUMMISCHLAUCH             | TUBO GOMA                |
| 31   | 904469 | 1    | FILTRO                     | FILTRE                      | FILTER                      | FILTER                    | FILTRO                   |
| 32   | 907303 | 1    | TROPPO PIENO               | NIVEAU                      | OVER FLOW                   | VEBERLAUF                 | DAMISIADO LLENO          |
| 33   | 904404 | 1    | O-RING                     | O-RING                      | O-RING                      | O-RING                    | O-RING                   |
| 34   | 907295 | 1    | TUBO GOMMA 12 x 19,5       | TUYAU EN CAOUTCHOUC         | RUBBER HOSE                 | GUMMISCHLAUCH             | TUBO GOMA                |



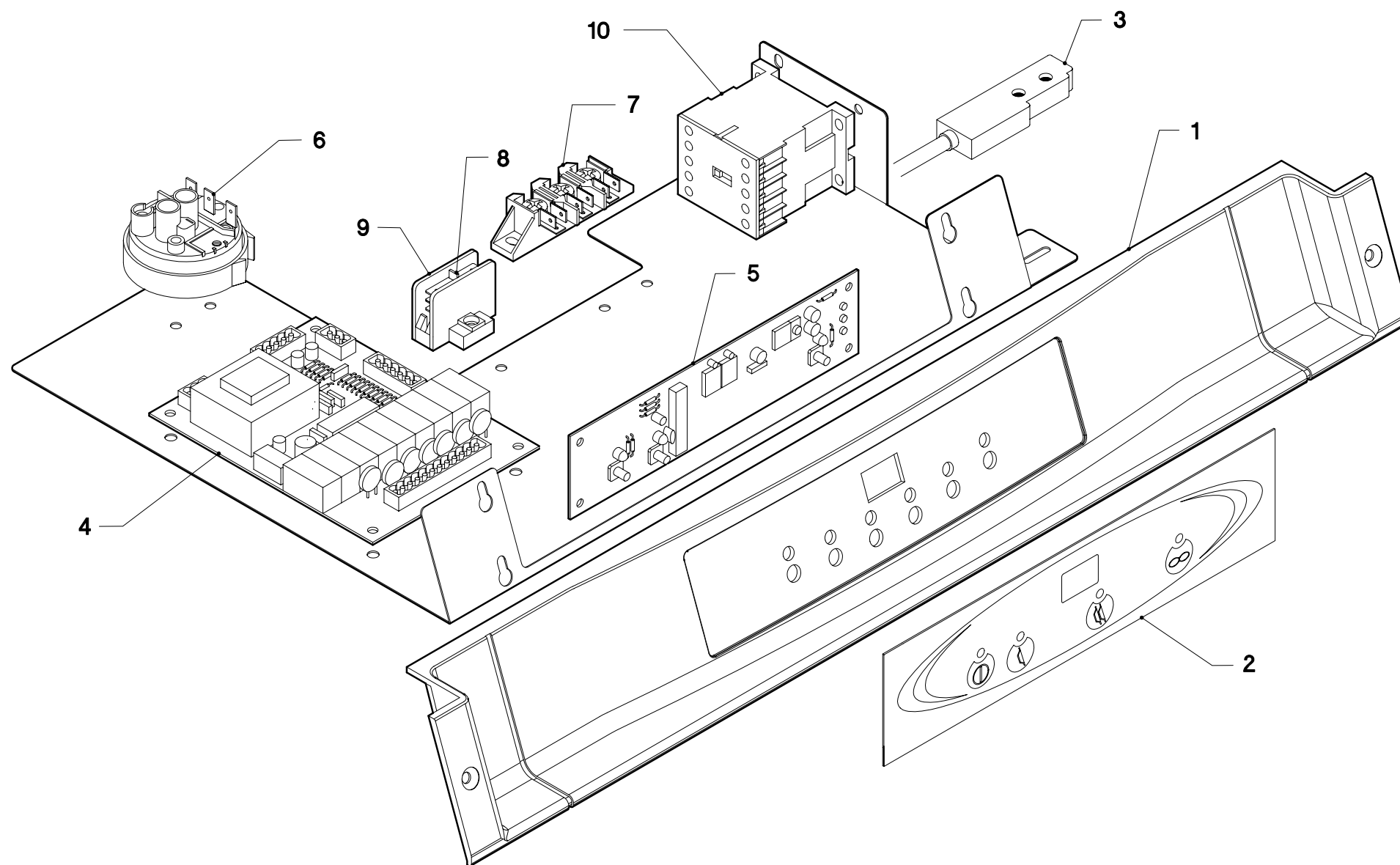


**N50 TRONIC PDS-PBS**

ED. 2007

**TAV. 4**

| <b>Pos.</b> | <b>COD.</b> | <b>Q.tà</b> | <b>DESCRIZIONE</b>     | <b>DENOMINATION</b>   | <b>DESCRIPTION</b> | <b>BEZEICHNUNG</b> | <b>DESCRIPCIÓN</b>    |
|-------------|-------------|-------------|------------------------|-----------------------|--------------------|--------------------|-----------------------|
| 1           | 904277      | 2           | MOZZO + GHIERA         | MOYEU + VIROLE        | HUB + RING-NUT     | NABE + KLEMMUTTER  | BUJE + ABRAZADERA     |
| 2           | 902908      | 2           | GIRANTE LAVAGGIO       | BRAS DE LAVAGE        | WASH ARM           | SPÜLLARM           | RODETE LAVADO         |
| 3           | 908771      | 2           | PERNO GIRANTE RISC.    | TOURILLON DE RINÇAGE  | RINSE PIN          | SPÜLLSTIFT         | PERNO RODETE ENJUAGUE |
| 4           | 902880      | 2           | GHIERA BLOCCAGGIO      | FRETTE DE BLOCAGE     | RING-NUT           | KLEMMUTTER         | ABRAZADERA BLOQUEO    |
| 5           | 903107      | 2           | GIRANTE LAVAGGIO COMP. | BRAS DE LAVAGE COMPL. | COMPL. WASH ARM    | SPÜLLARM KOMPL.    | RODETE LAVADO COMPL.  |
| 6           | 907958      | 2           | GIRANTE RISCIAQUO      | BRAS DE RINÇAGE       | RINSE ARM          | SPÜLLSTIFT         | RODETE ENJUAGUE       |
| 7           | 906445      | 4           | TAPPO ISPEZIONE        | BOUCHON               | PLUG               | FROPFEN            | TAPÓN                 |
| 8           | 904324      | 4           | O-RING TAPPO ISPEZIONE | O-RING                | O-RING             | O-RING             | O-RING                |



**N50 TRONIC PDS-PBS**

ED. 2007

**TAV. 5**

| <b>Pos.</b> | <b>COD.</b> | <b>Q.tà</b> | <b>DESCRIZIONE</b>     | <b>DENOMINATION</b>    | <b>DESCRIPTION</b> | <b>BEZEICHNUNG</b> | <b>DESCRIPCIÓN</b>    |
|-------------|-------------|-------------|------------------------|------------------------|--------------------|--------------------|-----------------------|
| 1           | 906805      | 1           | PANNELLO COMANDI       | TABLEAU COMMANDE       | ELECTRIC PANEL     | SCHALTAFEL         | PANEL DE COMANDO      |
| 2           | 909178      | 1           | TARGA                  | PLAQUETTE              | PLATE              | SCHILD             | PLACA                 |
| 3           | 909118      | 1           | REED MAGNETICO         | REED                   | REED               | REED               | REED MAGNÉTICO        |
| 4           | 909028      | 1           | SCHEDA ELETTRONICA CPU | FICHE ÉLECTRONIQUE CPU | CPU CARD           | CPU KARTE          | FICHA ELECTRÓNICA CPU |
| 5           | 909030      | 1           | SCHEDA COMANDI         | FICHE COMMANDE         | CONTROL CARD       | KONTROLLKARTE      | FICHA PEDIDO          |
| 6           | 905270      | 1           | PRESSOSTATO 40-20      | PRESSOSTAT             | PRESSURE SWITCH    | DRUCHWAECHTE       | PRESOSTATO            |
| 7           | 904140      | 1           | MORSETTIERA            | BORNES                 | TERMINAL BOARD     | KLEMMLEISTE        | TABLEROS DE BORNES    |
| 8           | 955068      | 1           | MORSETTO PA80          | BORNES                 | TERMINAL BOARD     | KLEMMLEISTE        | TABLEROS DE BORNES    |
| 9           | 955067      | 1           | SPALLA PA81            | SUPPORT                | SUPPORT            | HALTER             | SOPORTE               |
| 10          | 907095      | 1           | TELERUTTORE            | TELERUPTEUR            | CONTACTOR          | SCHUTZ             | TELERRUPTOR           |