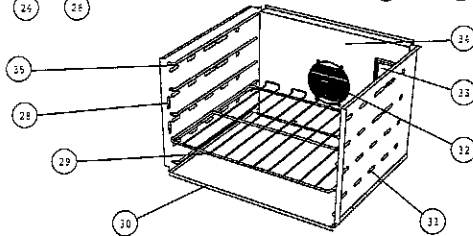
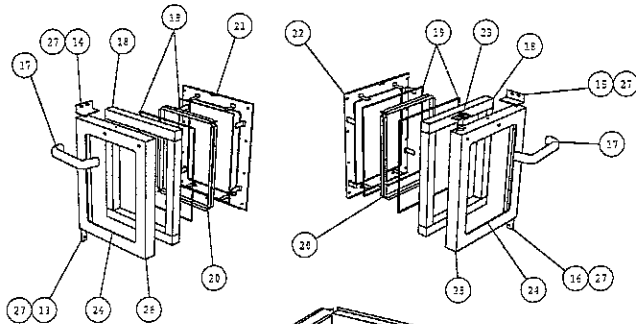
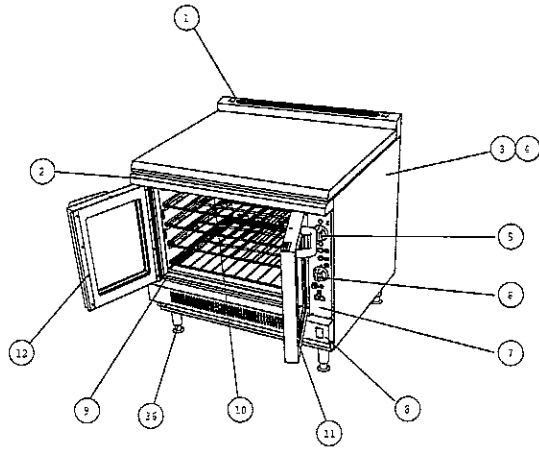
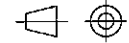


IF IN DOUBT ASK!!

DO NOT SCALE !!
First Angle Projection



G2112 FITMENTS

| Part No | Spares No | Description |
|---------|-----------|---------------------------|
| 1 | 535500041 | Worktop |
| 2 | 535500042 | Hinge cover |
| 3 | 531740190 | L/H Outer oven side panel |
| 4 | 531740180 | R/H Outer oven side panel |
| 5 | 535500002 | Oven control knob |
| 6 | 535500003 | Timer control knob |
| 7 | 535500004 | Oven control panel |
| 8 | 535500005 | Burner grill |
| 9 | 531740102 | Oven door seal kit |
| 10 | 531740066 | Oven door catch brkt |
| 11 | 535500006 | RH Door assembly |
| 12 | 535500007 | LH Door assembly |
| 13 | 535500008 | LH Bottom door hinge |
| 14 | 535500009 | LH Top door hinge |
| 15 | 535500010 | RH Top door hinge |
| 16 | 535500011 | RH Bottom door hinge |
| 17 | 535480055 | Door Handle |
| 18 | 535500012 | Door insulation |
| 19 | 535500013 | Door glass |
| 20 | 535500014 | Door glass spacer |
| 21 | 535500015 | LH Inner door panel |
| 22 | 535500016 | RH Inner door panel |
| 23 | 535480054 | Door Catch |
| 24 | 734350060 | Door seal 2.1 M |
| 25 | 535500017 | RH outer door panel |
| 26 | 535500018 | LH outer door panel |
| 27 | 535480077 | Door hinge bush |
| 28 | 531740230 | LH oven lining |
| 29 | 531740250 | Oven shelf |
| 30 | 531740260 | Oven bottom panel |
| 31 | 531740220 | RH oven lining |
| 32 | 531740310 | Fan Guard |
| 33 | 731740352 | Oven Light lense |
| 34 | 731742070 | Oven rear lining |
| 35 | 731740240 | Oven shelf runner |
| 36 | 535480067 | Adjustable Leg |

All dimensions in millimetres, Tolerance- Linear $\pm 0.5\text{mm}$ Angular $\pm 0.5^\circ$ (or as stated). All sharp edges to be removed from sheet metal parts.

| | | | | | |
|-------|---------|------------------|------|-----------------------------|------|
| A | | PRODUCTION ISSUE | | <i>lain barros</i> 09/12/02 | |
| Issue | Mod No. | Alteration | Zone | Drawn by | Date |

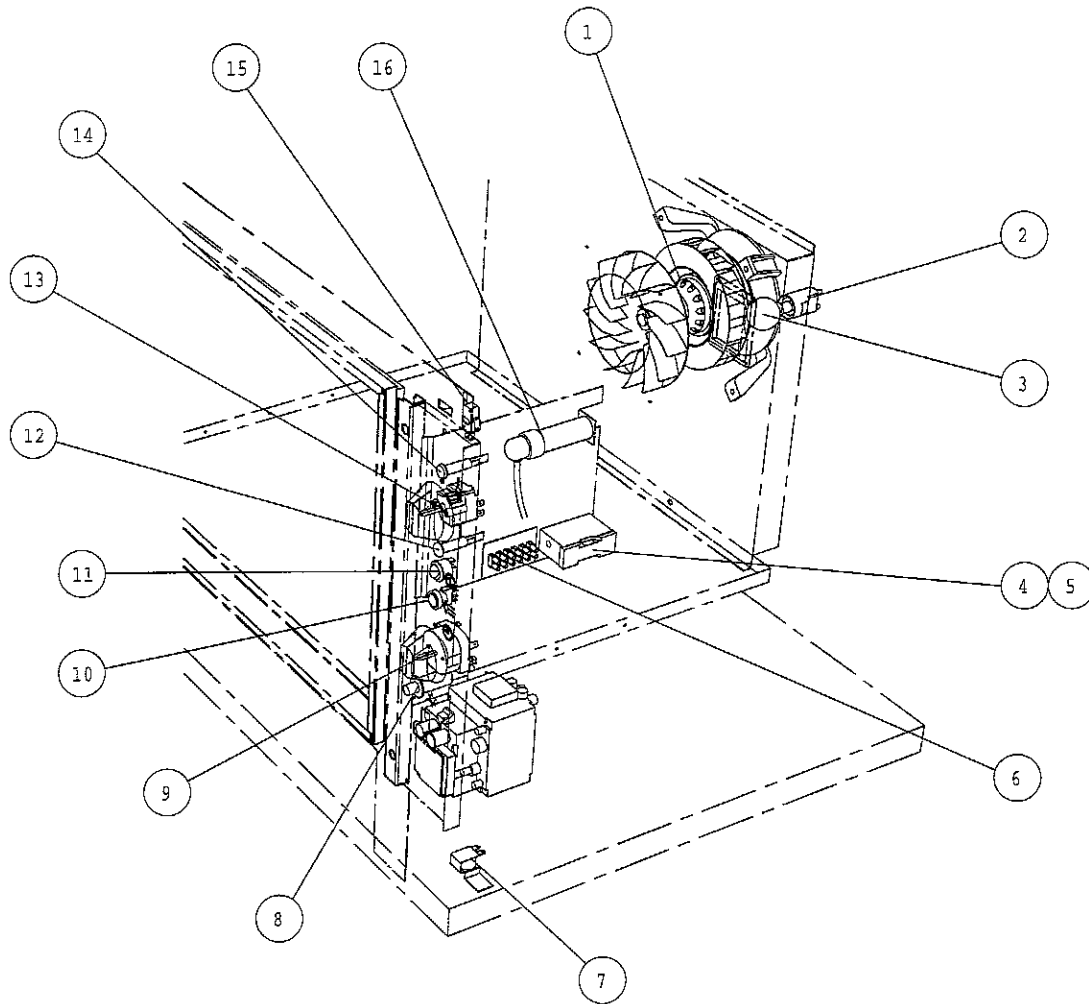
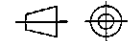


| | | | | | |
|---|--|--|--|--|--|
| <p>No reproduction or publication of this drawing may be made and no article may be manufactured or assembled in accordance with this drawing without prior written consent. This prohibition is a term of any contract relating to this drawing. Rights reserved under the Copyright Act 1956 as amended by the Design Copyright Act 1988.</p> | | | | | |
| This part is common to the following units | | | | | |

| | | | | | |
|---------|--------------------|-----------|----------------------------|----------------|-------|
| Drawn | <i>lain barros</i> | Product | G2112 CONVECTION RANGE | | |
| Date | 09/12/02 | Title | G2112 FITMENTS SPARES INFO | | |
| Scale | N.T.S | Matl. | _____ | Drawing Number | Issue |
| No. off | _____ | Finish | _____ | AA40934 | A |
| Bin No. | RZZ356 | Kraus No. | _____ | | |

IF IN DOUBT ASK!!

DO NOT SCALE !!
First Angle Projection



G2102/12 ELEC

| Part No | Spares No | Description |
|---------|-----------|-------------------------|
| 1 | 531740330 | Oven Fan |
| 2 | 531740341 | Lamp holder |
| 3 | 531740340 | Oven Lamp |
| 4 | 531740430 | Fuse Holder c/w 2A Fuse |
| 5 | 731740430 | 2A Fuse |
| 6 | 531740420 | Connector Block |
| 7 | 535500035 | Buzzer |
| 8 | 531740630 | Piezo Ignitor |
| 9 | 535500036 | Timer |
| 10 | 535500037 | Oven light Switch |
| 11 | 535500038 | Power Switch |
| 12 | 535420008 | Red neon |
| 13 | 535500039 | Oven Thermostat |
| 14 | 535420007 | Amber neon |
| 15 | 531740480 | Door Microswitch |
| 16 | 531740400 | capasitor |

All dimensions in millimetres, Tolerance- Linear $\pm 0.5\text{mm}$ Angular $\pm 0.5^\circ$ (or as stated). All sharp edges to be removed from sheet metal parts.

| | | | | | |
|------------------|---------|------------|-----------------------------|----------|------|
| A | | | | | |
| PRODUCTION ISSUE | | | <i>lain berres</i> 09/12/02 | | |
| Issue | Mod No. | Alteration | Zone | Drawn by | Date |



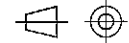
| | | | | | |
|---------|--------------------|----------------|--------------------------------|-------|---|
| Drawn | <i>lain berres</i> | Product | G2102/12 CONVECTION RANGE | | |
| Date | 09/12/02 | Title | G2102/12 ELECTRICS SPARES INFO | | |
| Scale | N.T.S | | | | |
| Matl. | | Drawing Number | | Issue | |
| No. off | | Finish | AA40932 | | A |
| Bin No. | RZZ356 | Kraus No. | | | |

No reproduction or publication of this drawing may be made and no article may be manufactured or assembled in accordance with this drawing without prior written consent. This prohibition is a term of any contract relating to this drawing. Rights reserved under the Copyright Act 1956 as amended by the Design Copyright Act 1988.

This part is common to the following units

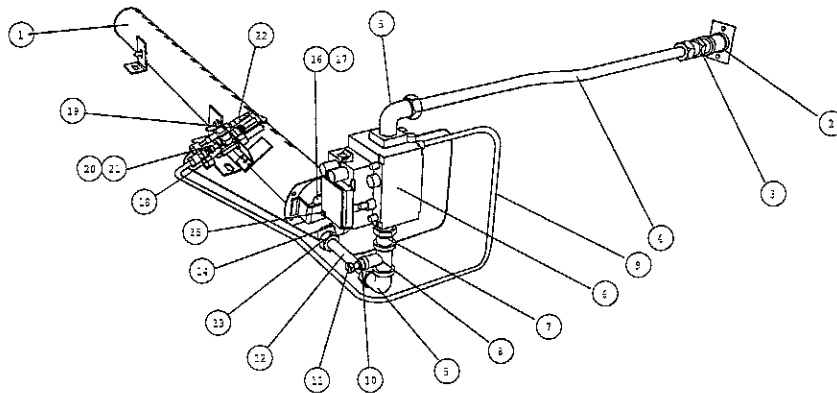
IF IN DOUBT ASK!!

DO NOT SCALE !!
First Angle Projection



G2112 CONTROLS

| Part No | Spares No | Description |
|---------|-----------|----------------------------|
| 1 | 535500043 | Oven burner |
| 2 | 535500019 | Inlet socket |
| 3 | 531744130 | 1/2" Stud coupling |
| 4 | 531744110 | Inlet pipe |
| 5 | 531744120 | 1/2" Elbow |
| 6 | 531740600 | Gas control valve |
| 7 | 535500020 | 1/22 Fitting |
| 8 | 535500021 | Tee |
| 9 | 535500040 | Pilot pipe |
| 10 | 535500022 | Reducer |
| 11 | 535500023 | Test nipple |
| 12 | 535500024 | Burner pipe |
| 13 | 535500025 | Elbow |
| 14 | 535500026 | 3/8" Elbow |
| 15 | 535500027 | Reducer |
| 16 | 537741098 | Oven injector (Nat) AG340 |
| 17 | 537741099 | Oven injector (Prop) AG220 |
| 18 | 537742004 | Oven burner electrode |
| 15 | 537742000 | Oven pilot assembly |
| 20 | 537742002 | Pilot injector (Nat) |
| 21 | 537742003 | Pilot injector (Prop) |
| 22 | 535500044 | Oven thermocouple |



All dimensions in millimetres, Tolerance- Linear $\pm 0.5\text{mm}$ Angular $\pm 0.5^\circ$ (or as stated). All sharp edges to be removed from sheet metal parts.

| | | | | | |
|---|-------|------------------|------------|-------------------|----------|
| | | | | | |
| A | | PRODUCTION ISSUE | | <i>hair bones</i> | 09/12/02 |
| G | Issue | Mod No. | Alteration | Zone | Drawn by |



| | | | | |
|---------|-------------------|----------------|----------------------------|-------|
| Drawn | <i>hair bones</i> | Product | G2112 CONVECTION OVEN | |
| Date | 09/12/02 | Title | G2112 CONTROLS SPARES INFO | |
| Scale | N.T.S | | | |
| Matl. | | Drawing Number | | Issue |
| No. off | | Finish | | |
| Bin No. | RZZ356 | Kraus No. | | |
| | | | AA40939 | A |

No reproduction or publication of this drawing may be made and no article may be manufactured or assembled in accordance with this drawing without prior written consent. This prohibition is a term of any contract relating to this drawing. Rights reserved under the Copyright Act 1955 as amended by the Design Copyright Act 1965.

This part is common to the following units