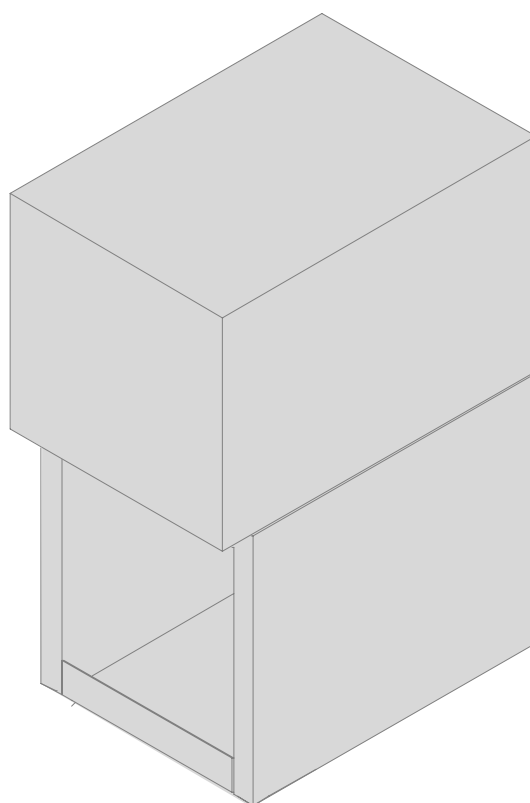


RACK CONVEYOR MACHINE

TYPE: d929

Spare parts manual



S/N:

Valid from:..01/2003

Rev.: 2.0

1. Spare parts

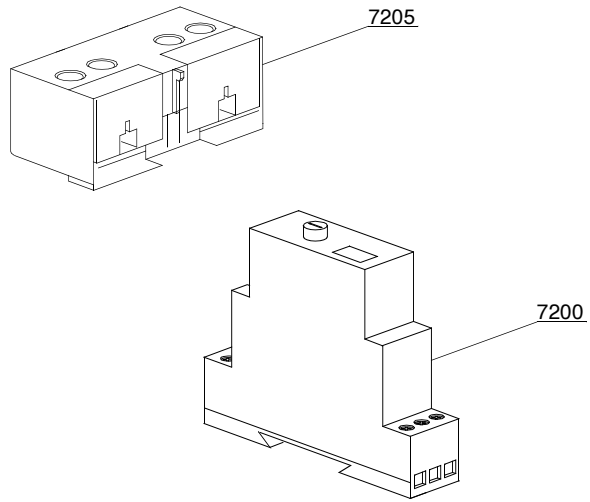
Time relay	7
Dryer LC 90/900 (12kW) - part 1	9
Dryer LC 90/2 - LC 90/900 (12kW) - part 2	11
Dryer LC 90 - LC 90/2 - LC 90/900 - LC90/4 (6 - 12 - 18kW) - electric components.....	13
Dryer LC 90 - LC 90/2 - LC 90/900 - LC 90/4 (6 - 12 - 18kW) - electric components.....	15
Dryer LC 90 - LC 90/2 - LC 90/900 - LC 90/4 (6 - 12 - 18kW) - electric components	17
Dryer LC 90 - LC 90/2 - LC 90/900 - LC 90/4 (6 - 12 - 18kW) - electric components.....	19

1.1 Voltage codes

Voltage code	Voltage
A	3/N/PE~400/230V 50Hz
B	~250V 16A 50Hz
C	3/N/PE~380/220V 50Hz
D	3/PE~200V 50-60Hz
F	2/PE 220-240V 50Hz
G	3/N/PE~415/240V 50Hz
H	3/PE~230V 50Hz
I	3/PE~220V 60Hz
J	3/PE~380 50Hz
K	3/PE~400V 50Hz
L	3/PE~415V 50Hz
M	3/PE~440V 60Hz
N	3/PE~460V 60Hz
O	3/PE~480V 60Hz
P	1/N/PE~220-240V 50Hz
R	2/PE~220-230V 60Hz
S	3/N/PE~400/230V 50Hz
T	3/PE~230V 60Hz

1.2 Product codes

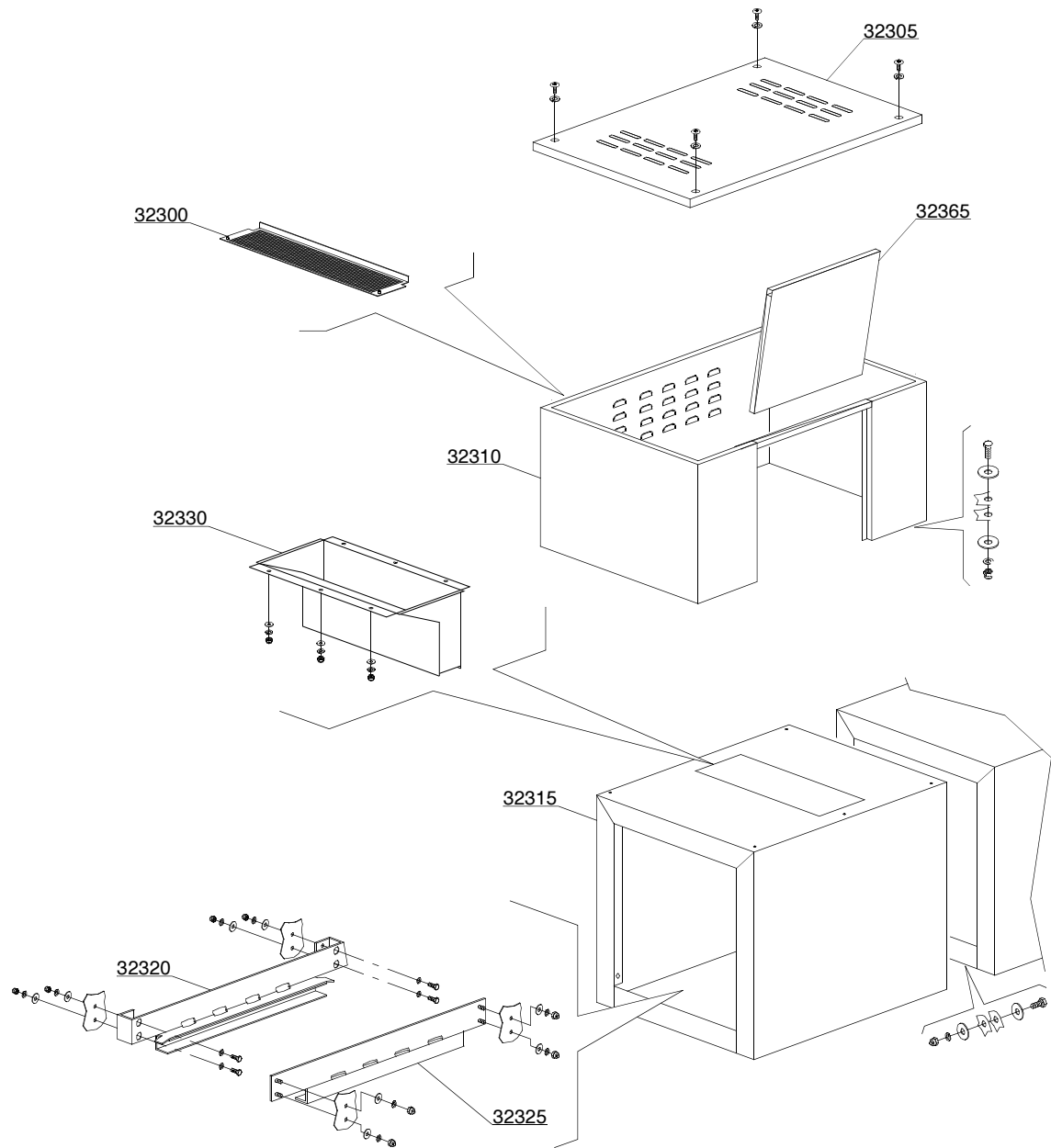
Product code	Full name
Model codes	
Type codes	
d929	d929
Accessory codes	



07_001_e

Spare parts

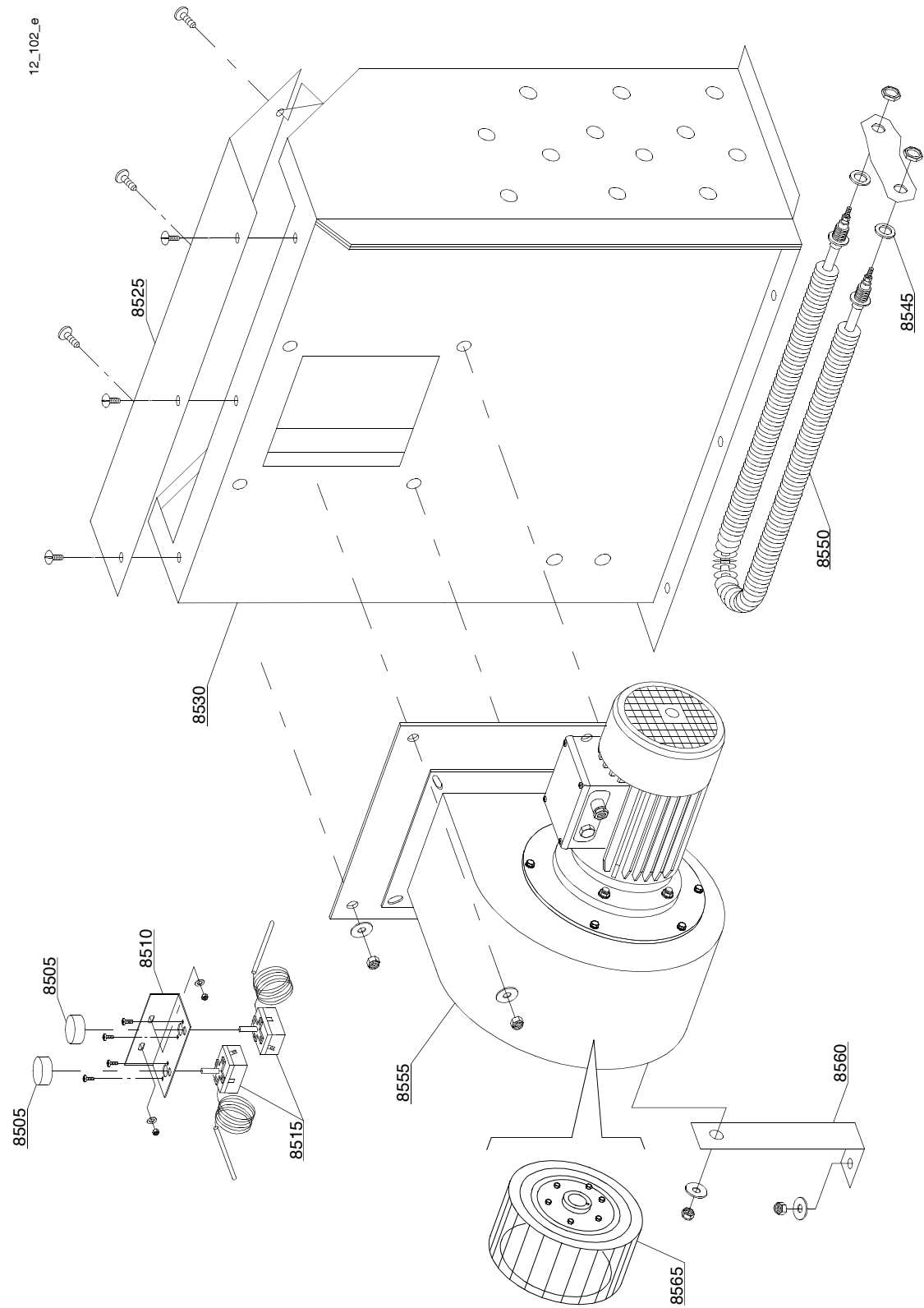
ID	P-code	Model	Type	Accessory	Voltage	Description
MODULE:Time relay						
7200	3006225		34,34HS,22,23,24,25,26,27,28,71,71G,39,sc8,sc9,d8,d9,d92,d929,d94,974,975		A	Time relay 24V
7205	3006068		34,34HS,22,23,24,25,26,27,28,71,71G,39,sc8,sc9,d8,d9,d92,d929,d94,974,975		A	MC9 auxiliary contact 1NO-1NC
7205	3002057		34,34HS,22,23,24,25,26,27,28,71,71G,39,sc8,sc9,d8,d9,d92,d929,d94,974,975		A	MC9 auxiliary contact 2NO
7205	3002052		34,34HS,22,23,24,25,26,27,28,71,71G,39,sc8,sc9,d8,d9,d92,d929,d94,974,975		A	MC9 auxiliary contact 2NC



12_001_e

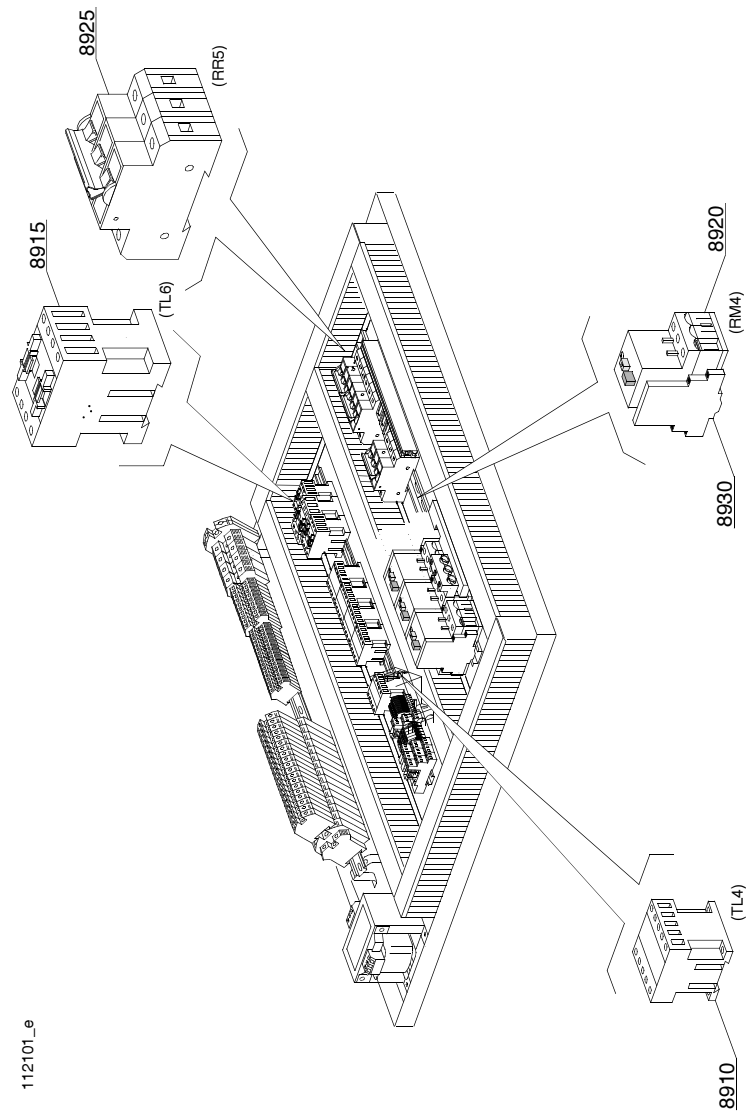
Spare parts

ID	P-code	Model	Type	Accessory	Voltage	Description
MODULE:Dryer LC 90/900 (12kW) - part 1						
32300	3009362/A		24,25,26,27,28,d929			Protection
32305	3009330		24,25,26,27,28,d929			Cover panel
32310	3009494		24,25,26,27,28,d929			Complete body
32315	3009495		24,25,26,27,28,d929			Dryer module
32320	3009333		24,25,26,27,28,d929			Front slideways
32325	3009332		24,25,26,27,28,d929			Back slideways
32330	3009492		24,25,26,27,28,d929			Splash guard
32365	3009331		24,25,26,27,28,d929			Dryer carter lockup



Spare parts

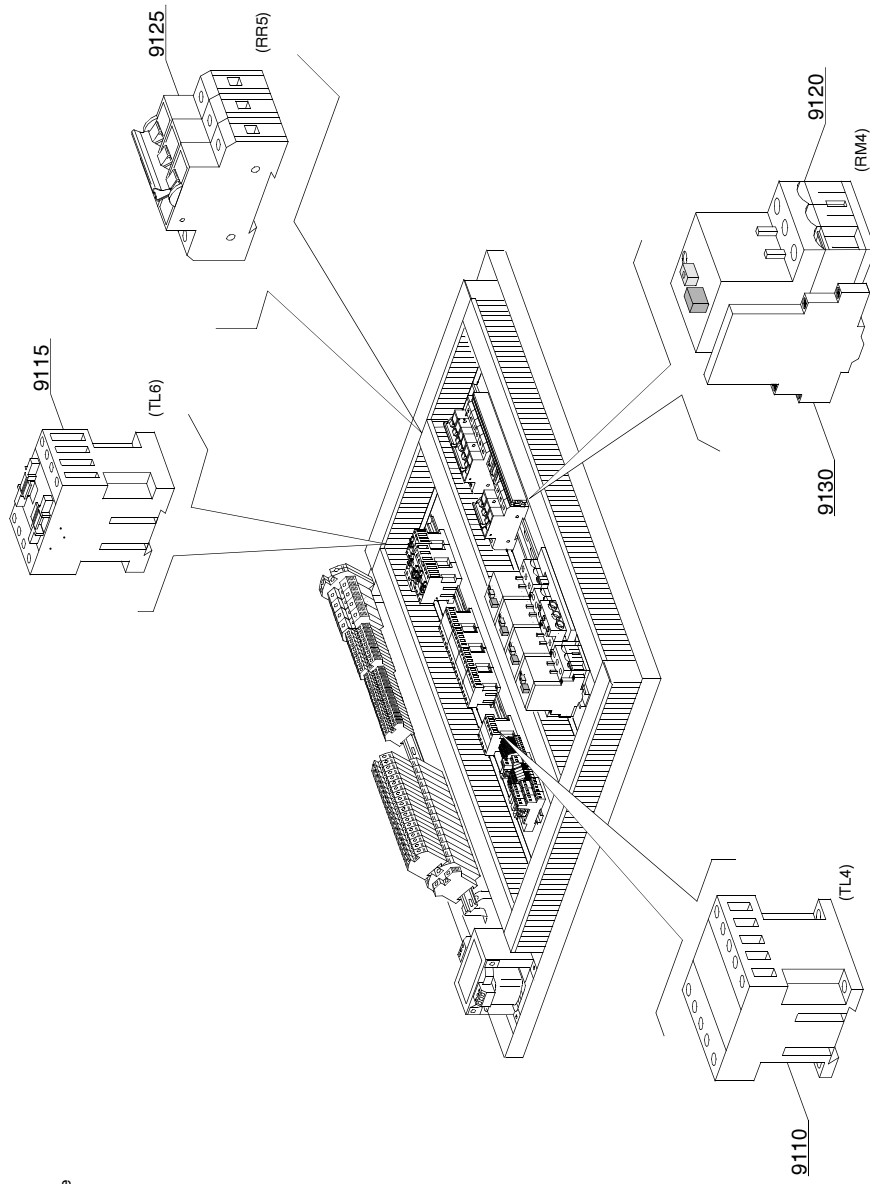
ID	P-code	Model	Type	Accessory	Voltage	Description
MODULE:Dryer LC 90/2 - LC 90/900 (12kW) - part 2						
8505	15105/A		34,34HS,22,160,23,24,250,25,2 6,380,380L,27,28,540,540L,71, 72,d92,d929,974,975			Thermostat knob
8510	3009104		34,34HS,22,160,23,24,250,25,2 6,380,380L,27,28,540,540L,71, 72,d92,d929,974,975			Themostat support
8515	10707/2		34,34HS,22,160,23,24,250,25,2 6,380,380L,27,28,540,540L,71, 72,d92,d929,974,975			Thermostat with shaft 0 - 90°
8525	3009085		34,34HS,22,160,23,24,250,25,2 6,380,380L,27,28,540,540L,71, 72,d92,d929,974,975			Cover drying conveyor
8530	3009488		34,34HS,22,160,23,24,250,25,2 6,380,380L,27,28,540,540L,71, 72,d92,d929,974,975			Right drying conveyor
8530	3009489		34,34HS,22,160,23,24,250,25,2 6,380,380L,27,28,540,540L,71, 72,d92,d929,974,975			Left drying conveyor
8545	10200171		34,34HS,22,160,23,24,250,25,2 6,380,380L,27,28,540,540L,71, 72,d92,d929,974,975			Gasket FASIT 25x17x2
8550	2000359		34,34HS,22,160,23,24,250,25,2 6,380,380L,27,28,540,540L,71, 72,d92,d929,974,975			Drying heating element with nut
8555	3003118		34,34HS,22,160,23,24,250,25,2 6,380,380L,27,28,540,540L,71, 72,d92,d929,974,975			Motorfan 0.75 kW
8555	3000301		34,34HS,22,160,23,24,250,25,2 6,380,380L,27,28,540,540L,71, 72,d92,d929,974,975			Motorfan 1,5 kW
8560	3009214		34,34HS,22,160,23,24,250,25,2 6,380,380L,27,28,540,540L,71, 72,d92,d929,974,975			Motorfan support
8565	3003119		34,34HS,22,160,23,24,250,25,2 6,380,380L,27,28,540,540L,71, 72,d92,d929,974,975			Pump rotor



112101_e

Spare parts

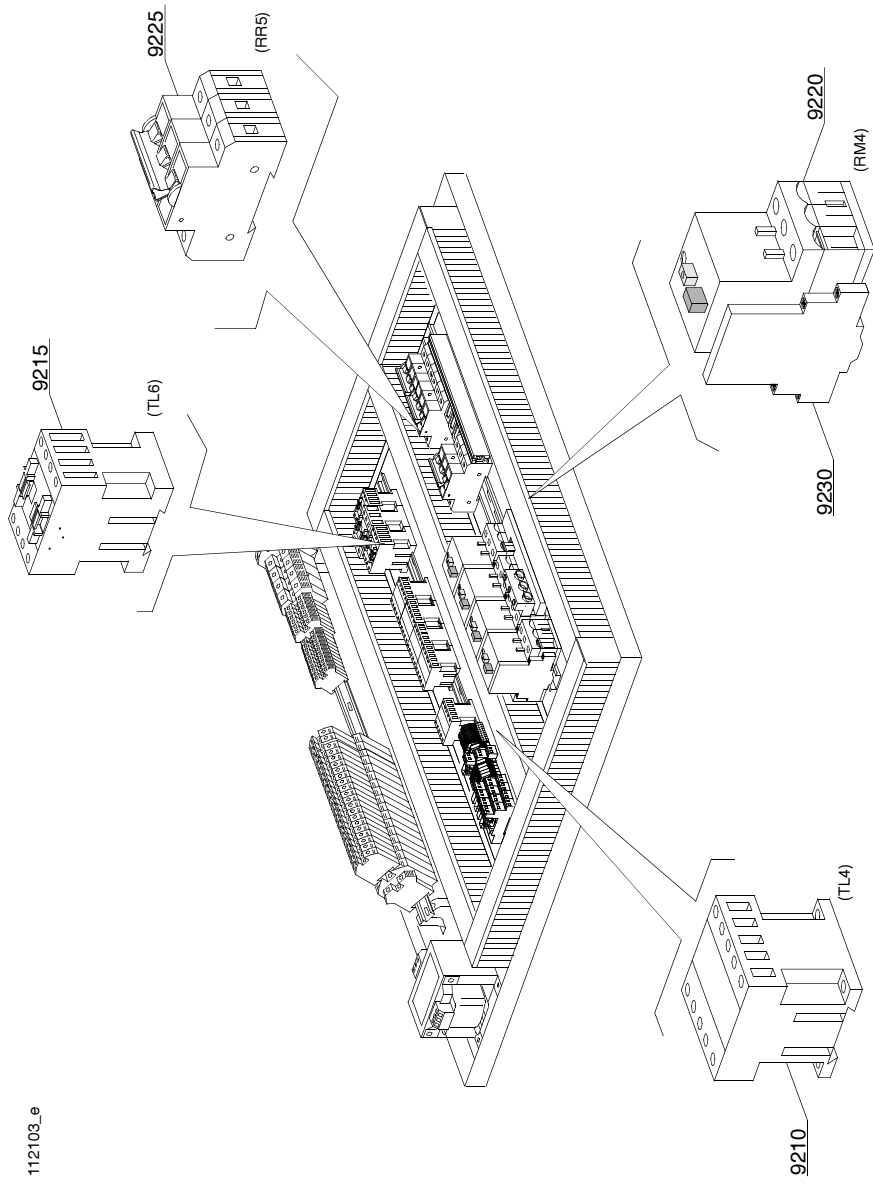
ID	P-code	Model	Type	Accessory	Voltage	Description
MODULE:Dryer LC 90 - LC 90/2 - LC 90/900 - LC 90/4 (6 - 12 - 18kW) - electric components						
8910	2000370		24,250,d9,d92,d929,974,975,d94		A	Contactora MC9
8915	2000385		24,250,d92,d929,974,975		A	Contactora BF20 (LC90/2 - 12kW)
8920	2000394		24,d9,d92,d929		A	Motorprotector 2,5-4A (Motorfan 0,75 kW)
8920	2000400		24,250,d92,d929,974,975		A	Motorprotector 4-6,3A (Motorfan 1,5 kW)
8925	2000404		24,250,d92,d929,974,975		A	Automatic fuse C25 (LC90/2 - 12kW)
8930	3006080		24,250,d9,d92,d929,974,975,d94		A	Auxiliary contact LMS25



112102_e

Spare parts

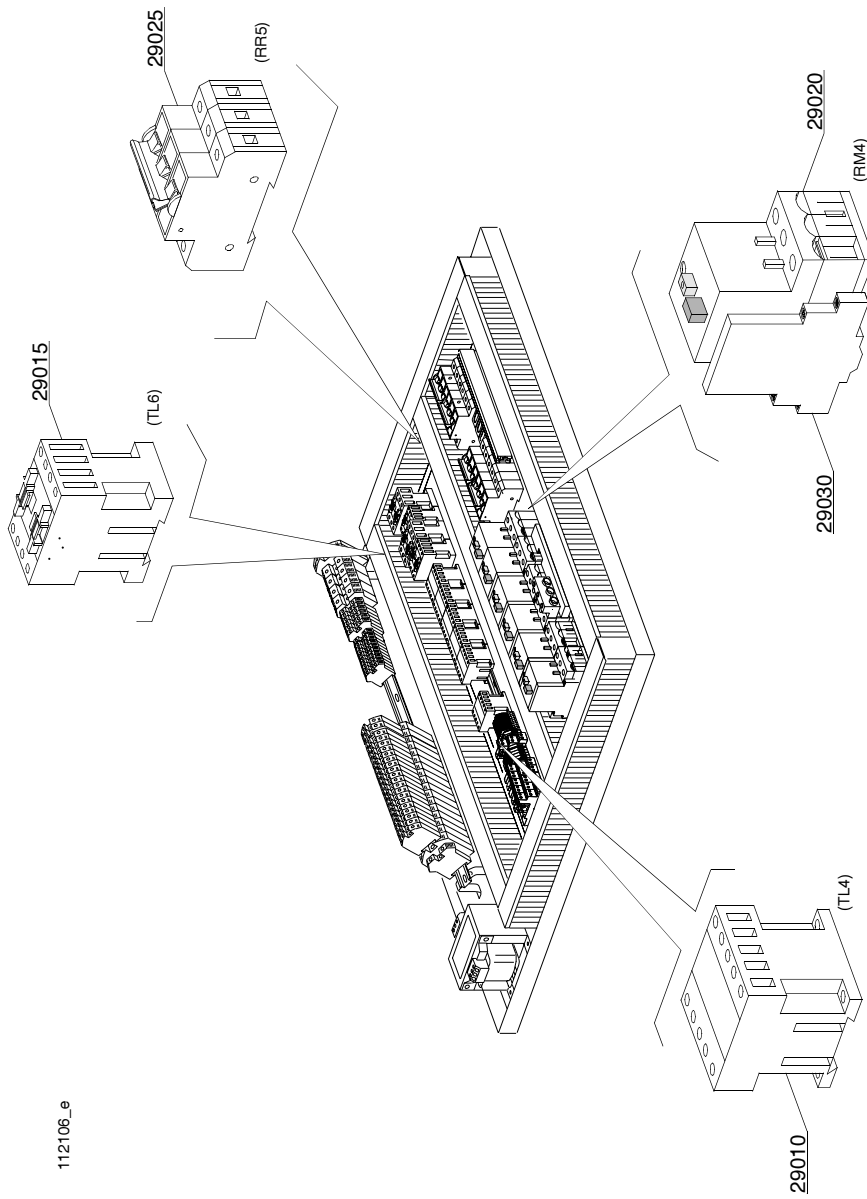
ID	P-code	Model	Type	Accessory	Voltage	Description
MODULE: Dryer LC 90 - LC 90/2 - LC 90/900 - LC 90/4 (6 - 12 - 18kW) - electric components						
9110	2000370		25,d9,d92,d929,974,975, d94		A	Contactor MC9
9115	2000385		25,d92,d929,974,975		A	Contactor BF20 (LC90/2 - 12kW)
9120	2000394		25,d9,d92,d929		A	Motorprotector 2,5-4A (Motorfan 0,75 kW)
9120	2000400		25,d92,d929,974,975		A	Motorprotector 4-6,3A (Motorfan 1,5 kW)
9125	2000404		25,d92,d929,974,975		A	Automatic fuse C25 (LC90/2 - 12kW)
9130	3006080		25,d9,d92,d929,974,975, d94		A	Auxiliary contact LMS25



112103_e

Spare parts

ID	P-code	Model	Type	Accessory	Voltage	Description
MODULE: Dryer LC 90 - LC 90/2 - LC 90/900 - LC 90/4 (6 - 12 - 18kW) - electric components						
9210	2000370		26,380,380L,d9,d92,d92 9,974,975,d94		A	Contactora MC9
9215	2000385		26,380,380L,d92,d929,9 74,975		A	Contactora BF20 (LC90/2 - 12kW)
9220	2000394		26,d9,d92,d929		A	Motorprotector 2,5-4A (Motorfan 0,75 kW)
9220	2000400		26,380,380L,d92,d929,9 74,975		A	Motorprotector 4-6,3A (Motorfan 1,5 kW)
9225	2000404		26,380,380L,d92,d929,9 74,975		A	Automatic fuse C25 (LC90/2 - 12kW)
9230	3006080		26,380,380L,d9,d92,d92 9,974,975,d94		A	Auxiliary contact LMS25



112106_e

Spare parts

ID	P-code	Model	Type	Accessory	Voltage	Description
MODULE:Dryer LC 90 - LC 90/2 - LC 90/900 - LC 90/4 (6 - 12 - 18kW) - electric components						
29010	2000370		27,28,540,540L,d9,d92, d929,974,975,d94		A	Contacteur MC9
29015	2000385		27,28,540,540L,d92,d9 29,974,975		A	Contacteur BF20 (LC90/2 - 12kW)
29020	2000394		27,28,d9,d92,d929		A	Motorprotector 2,5-4A (Motorfan 0,75 kW)
29020	2000400		27,28,540,540L,d92,d9 29,974,975		A	Motorprotector 4-6,3A (Motorfan 1,5 kW)
29025	2000404		27,28,540,540L,d92,d9 29,974,975		A	Automatic fuse C25 (LC90/2 - 12kW)
29030	3006080		27,28,540,540L,d9,d92, d929,974,975,d94		A	Auxiliary contact LMS25