



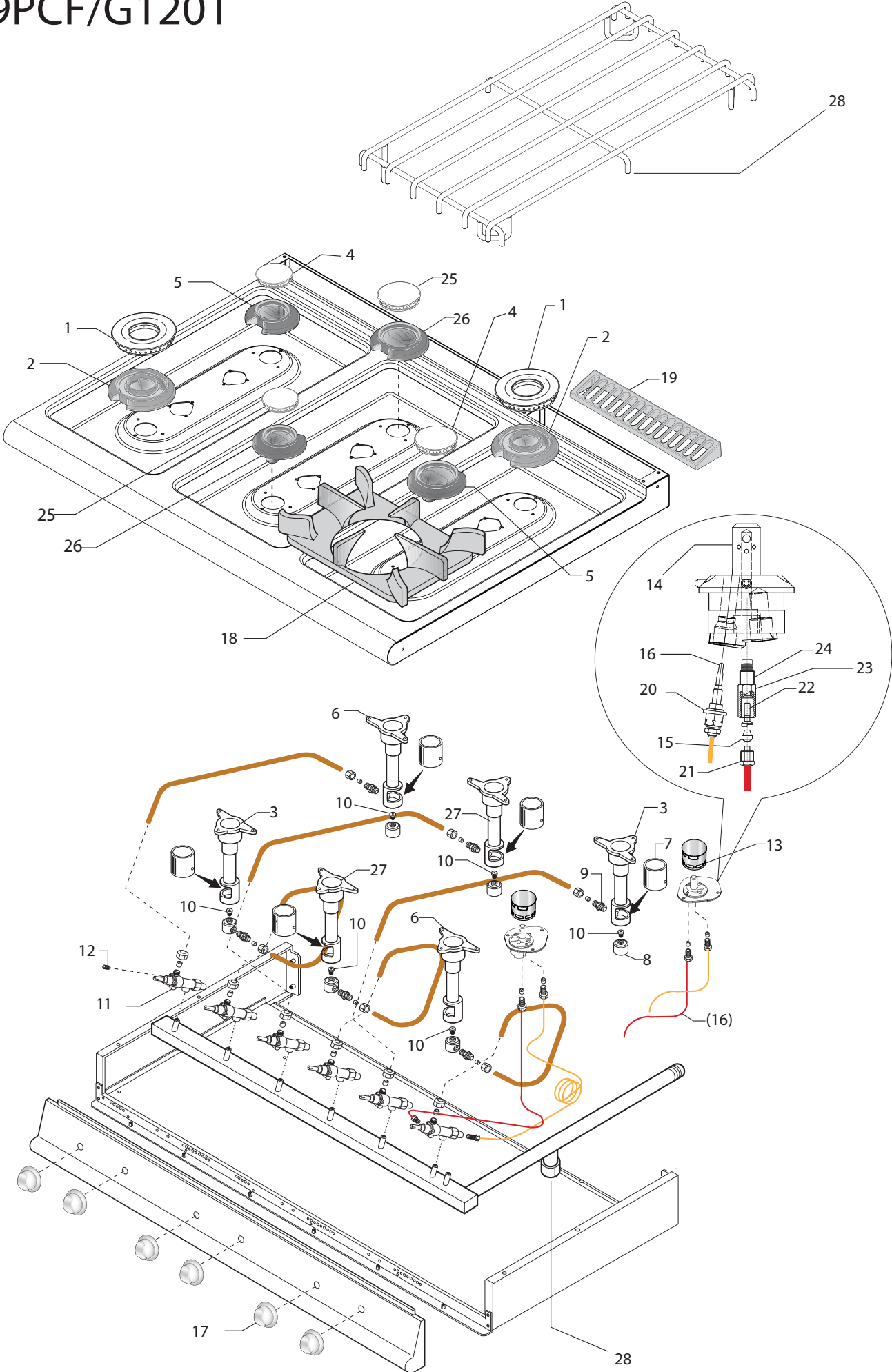
**Thermische Geräte Serie 900
Gas-Herd**

Artikel-Nr. 141006 (N9PCF/G1201)

Explosionszeichnung / Ersatzteile

Bitte bei Ersatzteilbestellung immer Artikelnummer und Seriennummer mit angeben!

N9PCF/G1201



Series 900
Gas range N9PC/G1201

Table_A

POS.	CODE	PIECES	DESCRIPTION	DATA	C
1	BN822410091	2	LARGE BURNER HEAD 7kW		
1	BN822410640	2	LARGE BURNER HEAD 10kW		
2	BN822410670	2	LARGE VENTURI DUCT		
3	BN822410032	2	LARGE BURNER BODY		
4	BN822410071	2	SMALL BURNER HEAD		
5	BN822410650	2	SMALL BURNER BODY		
6	BN822410012	2	SMALL VENTURI DUCT		
7	BN822120020	6	VENTURI AREATOR		
8	BN822160022	6	NOZZLE HOLDER		
9	BN822160031	6	NIPPLE FOR NUZZLE HOLDER		
10	TABLE_B	6	NOZZLE		
11	CR0580450	6	GAL TAP PEL 21S		C
12	TABLE_B	6	MINIMUM ADJUSTING SCREW 0,55 (21 S)		
13	BN826350260	6	EXTENTION FOR PILOT		C
14	BN822160580	6	PILOT		C
15	BN6A016900	6	PILOT NOZZLE N°27		
16	MA1916000	6	QUICK THERMOCOUPLE M9X1 L=850		C
17	CR0932250	6	COCK KNOB		C
18	BN822410690	6	BURNER GRID 900		
19	CR0901240	3	EXHAUST GRID		
20	MA1891700	6	THERMOCOUPLE NIPPLE		C
21	BN6A017000	6	BICONE FITTING		
22	TABLE_B	6	PILOT NOZZLE METHANE		C
23	BN6A013104	6	PRIMARY AIR REGULATOR		
24	BN822160590	6	NOZZLE SEAT		
25	BN822410081	2	MEDIUM BURNER HEAD		
26	BN822410660	2	MEDIUM BURNER BODY		
27	BN822410022	2	MEDIUM VENTURI		
28	CR0585540	1	GAS VALVE PLUG		
29	BN826330180	3	DOUBLE BURNER HEAD GRID		

C >>> Recommended exchange

Series 900

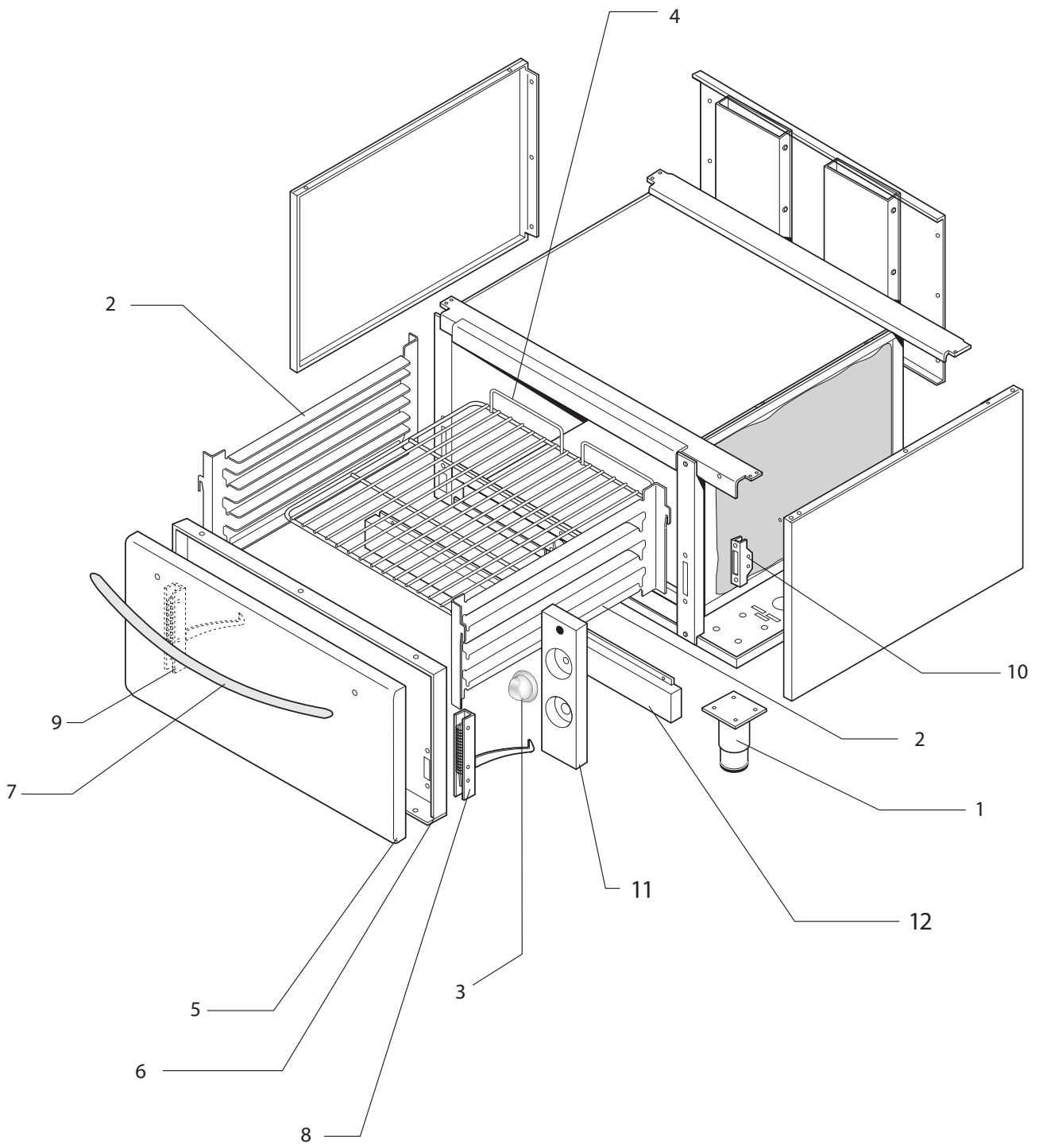
Cucine a gas

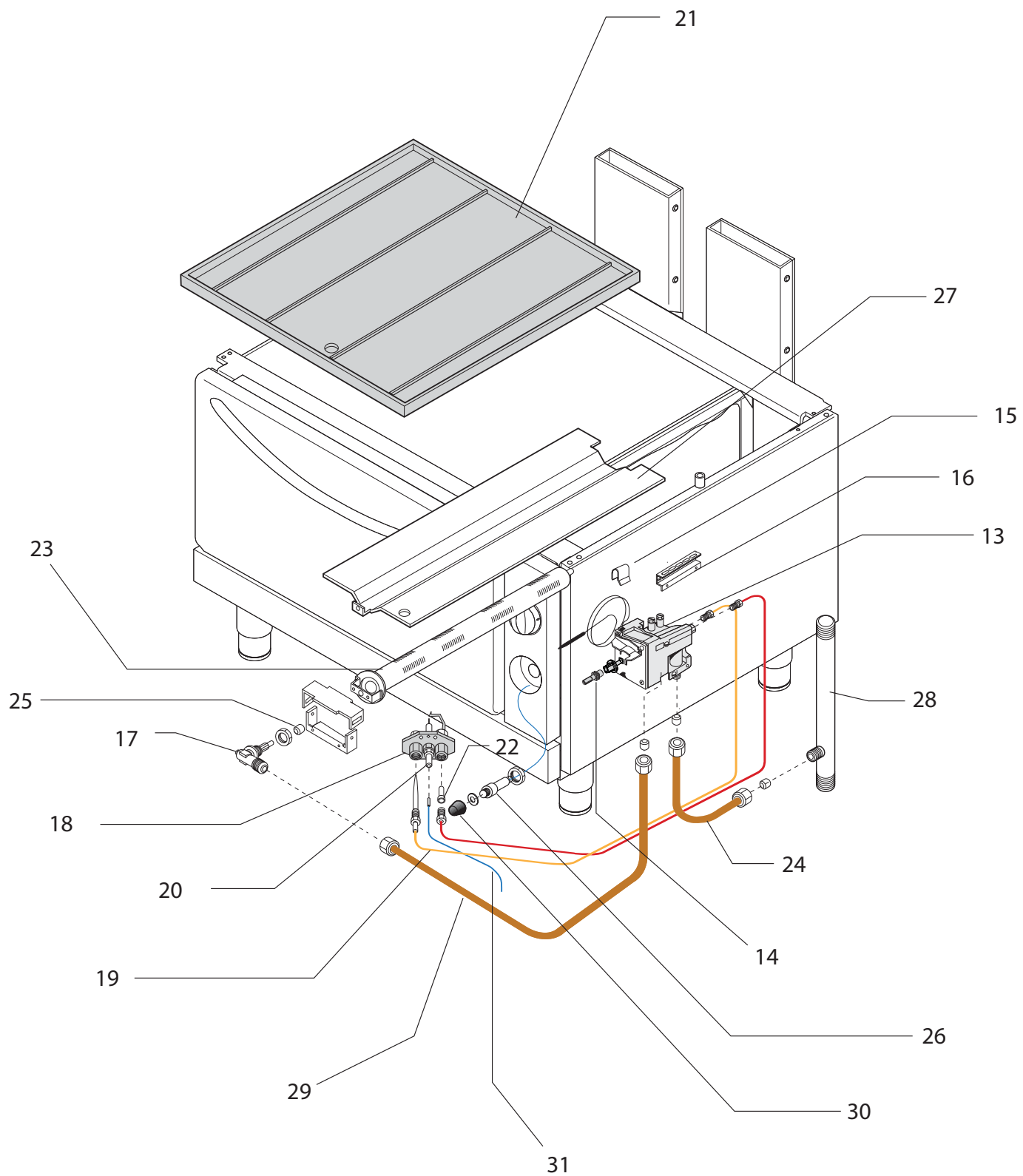
Table_B

POS.	POT.	COD.	IUM.	DIAM.	GAS
10	3,5 kw	BN41822140620	2	ø 90	○
10	3,5 kw	BN822140270	2	ø 80	•
10	3,5 kw	BN822140170	2	ø 135	◻
10	3,5 kw	BN822140170	2	ø 140	▲
10	3,5 kw	BN41822140420	2	ø 150	▼
10	5,7 kw	BN822140160	2	ø 120	○
10	5,7 kw	BN822140630	2	ø 100	•
10	5,7 kw	BN822140640	2	ø 175	◻
10	5,7 kw	BN822140650	2	ø 185	■
10	5,7 kw	BN822140580	2	ø 195	▼
10	7 kw	BN822140030	2	ø 130	○
10	7 kw	BN822140280	2	ø 115	•
10	7 kw	BN822140580	2	ø 195	◻
10	7 kw	BN822140290	2	ø 205	▲
10	7 kw	BN822140600	2	ø 215	▼
12	3,5 kw	BN6A023722	2	ø 45 21S	•
12	3,5 kw	MA1033720000	2	ø 55 21S	○
12	3,5 kw	BN822450240	2	ø 80 21S	◻
12	3,5 kw	MA1889000	2	ø 85 21S	▲
12	5,7 kw	BN822450230	2	ø 75 21S	○
12	5,7 kw	BN6A023723	2	ø 65 21S	•
12	5,7 kw	BN6A023724	2	ø 115 21S	◻
12	5,7 kw	BN822450280	2	ø 120 21S	▲
12	7 kw	BN6A023723	2	ø 65 21S	•
12	7 kw	BN822450240	2	ø 80 21S	○
12	7 kw	BN822450280	2	ø 120 21S	◻
12	7 kw	MA1889200	2	ø 130 21S	▲ ■
12	7 kw	BN822450300	2	ø 135 21S	▼
22		BN6A013240	6	G27,2	◻ ▲ ▼ + ■
22		BN6A013230	6	G16,2	◻ • ○

10	10 Kw	BN822140190	2	ø 155	○
10	10 Kw	BN41822140180	2	ø 140	◻
10	10 Kw	BN822140230	2	ø 235	◻
10	10 Kw	BN822140100	2	ø 245	▲
10	10 Kw	BN822140660	2	ø 260	▼
12	10 Kw	BN822450240	2	ø 80 21S	•
12	10 Kw	BN822450260	2	ø 90 21S	○
12	10 Kw	MA1889000	2	ø 85 21S	◻
12	10 Kw	BN41822450360	2	ø 145 21S	◻
12	10 Kw	BN822450710	2	ø 180 21S	▼
12	10 Kw	BN822450700	2	ø 150 21S	▲
12	10 Kw		2	ø 135 21S	+

ID GAS | • G30/50 ◻ G30÷31/37 ○ G30/28÷37
 ◻ G20/20 ▲ G25/25 ▼ G25/20 ■ G25.1/25 † G20/25
 G110 8mbar G120 8mbar





Series 900

Gas Oven

Table_C

POS.	CODE	PIECES	DESCRIPTION	DATA	C
1	MA6086113	4	FOOT ASSEMBLY		
2	BN821200100	2	GRID HOLDER		
3	CR0902770	1	KNOB FOR OVEN		C
4	MA2306800	1	OVEN GRID		
5	BN821390011	1	OVEN DOOR		
6	BN821510011	1	LATER SPACER		
7	BN86430030	1	OVEN HANDLE ASSEMBY		
8	DN6A035910	1	R.H. OVEN HINGE		
9	BN6A035920	1	L.H. OVEN HINGE		
10	MA1304500	2	ROLL HOLDER FOR HINGE		
11	BN2547720	1	VERTICAL CONTROL PANEL		
12	BN821740030	1	LOWER CONTROL PANEL		
13	CR0585671	1	EUROSIT VALVE GAS		C
14	CR900680	1	HANDLE CONNECTION		
15	BN821550010	1	CLIP FIXING BULB		
16	BN2541120	1	COVER FOR THERMOSTAT BULB		
17	BN822450010	1	NOZZLE HOLDER 90°		
18	BN26920070	1	PILOT BURNER		C
19	MA1916001	1	THERMOCOPIY		C
20	BN6A013301	1	CANDLE		C
21	BN822420010	1	OVEN BOTTOM		
22	TABLE_D	1	TARGET NOZZLE		
23	BN2510697	1	BURNER		
24	BN2514615	1	GAS RAMP - GAS VALVE DUCT		
25	TABLE_D	1	BURNER NOZZLE		
26	BN6A041105	1	PIEZO LIGHTER		C
27	BN821490100	1	BAFFLE PLATE		
28	CR090314	1	GAS RAMP		
29	BN823560060	1	GAS VALVE BURNER DUCT		
30	BN826630420	1	COVER FOR PIEZO LIGHTER		
31	BN2510698	1	CABLES FOR PILOT BURNER		C

C >>> Recommended exchange

EDITION 01 2012

Series 900

Table_D

POS	COD	QUANT	DIAM	GAS
22	BN822140380	1	∅ 19,2	○ ■ •
22	MA1887801	1	∅ 27,2	■ ▼ ▲ +
25	BN822140100	1	∅ 2,45	▼ ■
25	BN822140030	1	∅ 1,30	•
25	BN822140040	1	∅ 1,45	○ ■
25	BN822140080	1	∅ 2,25	■ ▲

ID GAS | • G30/50 ■ G30÷31/37 ○ G30/28÷37
 | ■ G20/20 ▲ G25/25 ▼ G25/20 ■ G25.1/25 + G20/25
 | G110 8mbar G120 8mbar