

# AFE325 Service Parts

This parts lists contains part numbers for the service parts available for the AFE325.

The AFE325 has been manufactured in both 60 Hz and 50 Hz models.

The 60 Hz models are:

- AFE325AE-1A or AFE325AS-1A
- AFE325AS-1B

The 50 Hz models are:

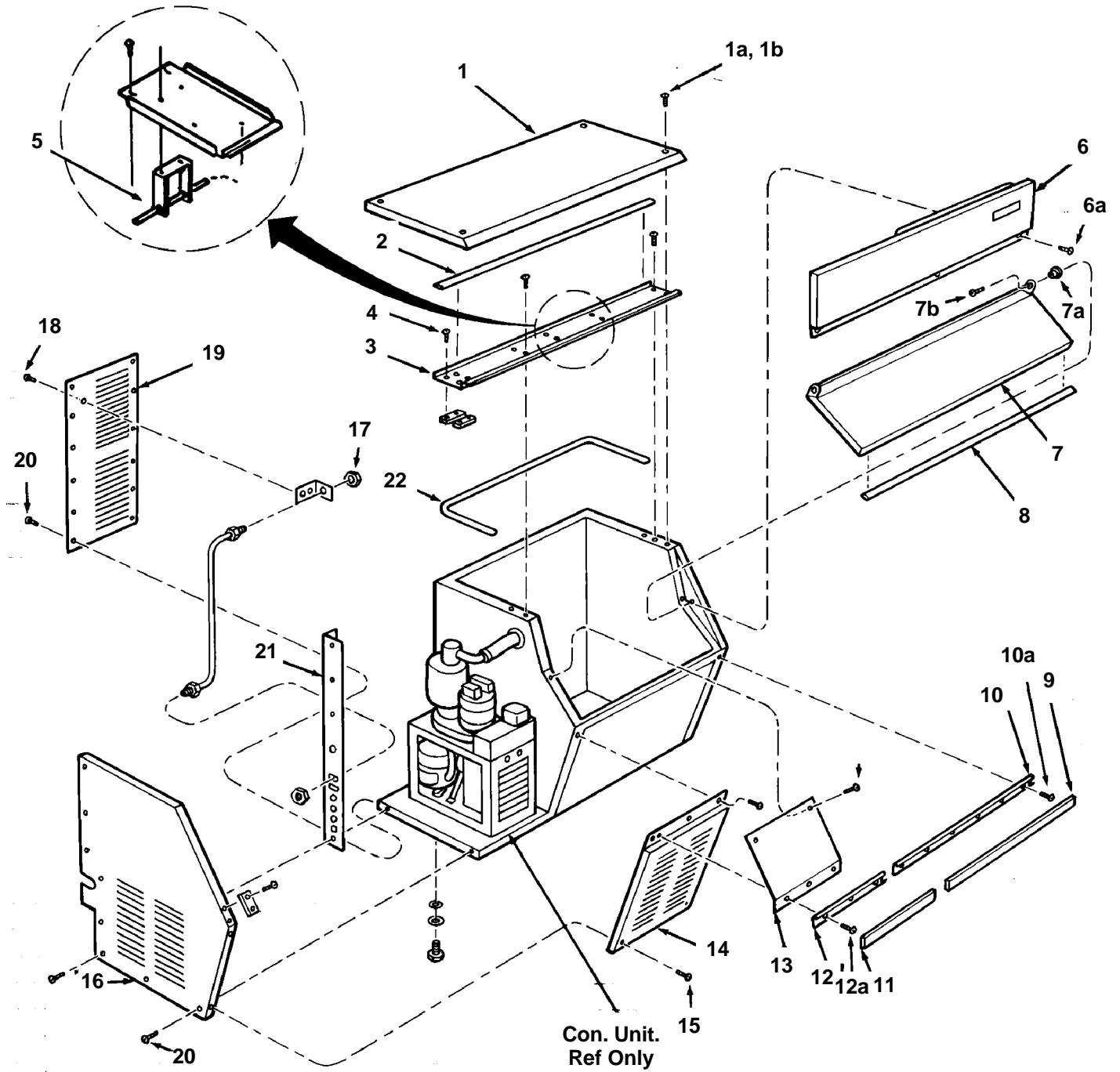
- AFE325AE-6A or AFE325AS-6A
- AFE325AS-6B

Always check the model number of the ice machine being serviced to be certain that the parts ordered will be correct.

## Table of Contents

|  |         |
|--|---------|
| Cabinet . . . . .                                  | Page 2  |
| Major Parts . . . . .                              | Page 4  |
| Evaporator, Auger, Bearings & Water Seal . . . . . | Page 6  |
| Spout . . . . .                                    | Page 7  |
| Gear Reducer and Motor . . . . .                   | Page 8  |
| Control Box . . . . .                              | Page 9  |
| Wiring Diagrams . . . . .                          | Page 10 |

# AFE325 Service Parts Cabinet



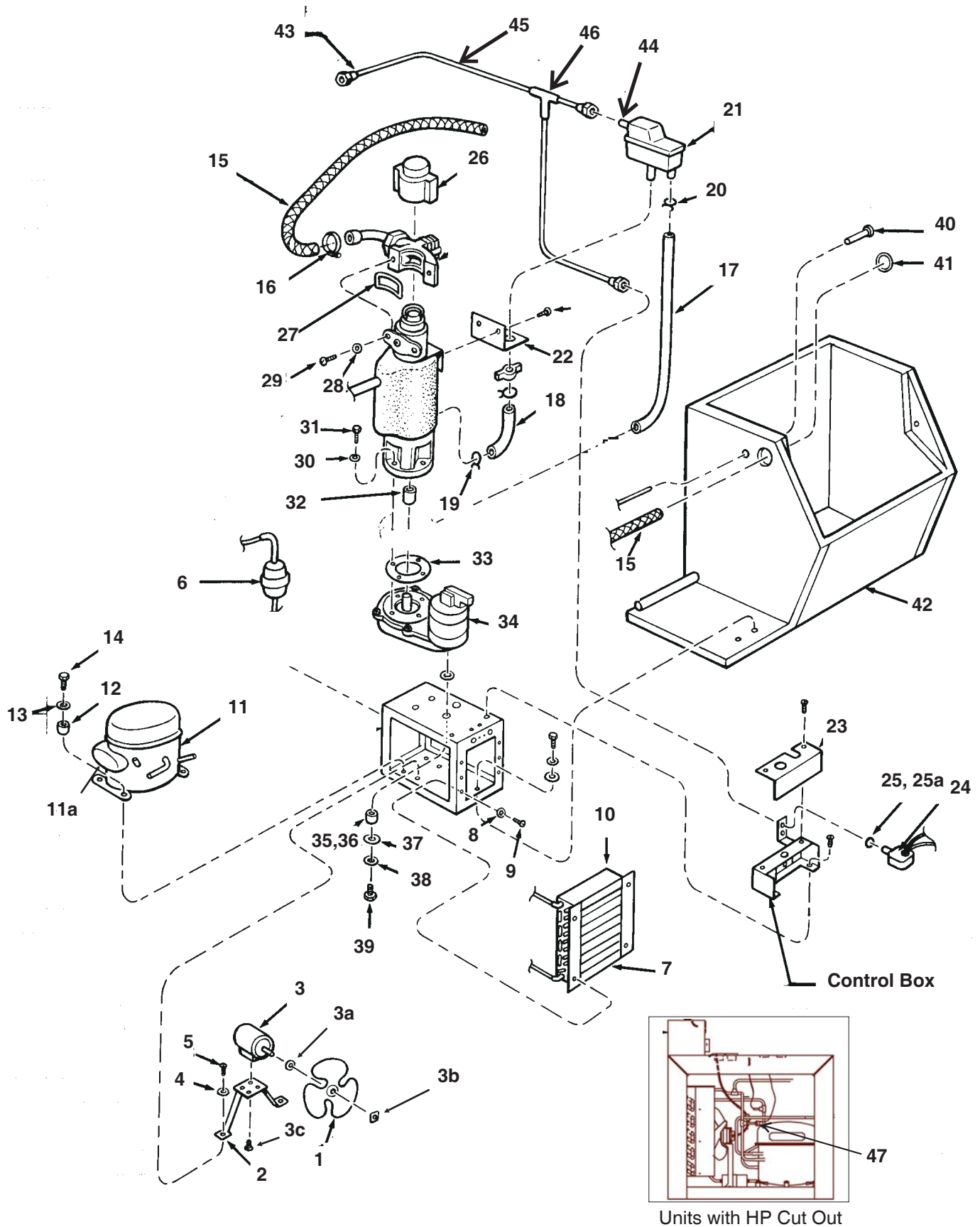
# AFE325 Service Parts

## Cabinet

| Item Number | Part Number | Description  |
|-------------|-------------|--|
| 1           | A26931-005  | Top panel, sandalwood  |
|             | A26931-015  | Top panel, gray  |
|             | A26931-004  | Top panel, stainless steel                                     |
| 1a          | 03-1417-24  | Lockwasher   |
| 1b          | 03-1419-23  | Screw  |
| 2           | 13-0781-01  | Gasket, 34" needed. Order by the foot                          |
| 3           | A34011-001  | Top brace  |
| 4           | 03-1404-12  | Screw  |
| 5           | A30720-001  | Bin thermostat bracket   |
| 6           | A26935-005  | Upper front panel, sandalwood                                  |
|             | A26935-015  | Upper front panel, gray  |
|             | A26935-003  | Upper front panel, stainless steel                             |
| 6a          | 03-1404-10  | Screw  |
| 7           | 02-2332-04  | Door for sandalwood models (only gray is available)            |
|             | 02-2332-04  | Door for gray painted models                                   |
|             | 02-2332-04  | Gray door for stainless models (gasket not included with door) |
| 7a          | 02-2380-01  | Hinge bushing  |
| 7b          | 03-1405-07  | Screw  |
| 8           | 13-0781-01  | Gasket, 33" needed. Order by the foot                          |
| 9           | 15-0619-01  | Moulding cover   |
| 10          | 15-0617-01  | Track section  |
| 10a         | 03-1404-07  | Screw  |
| 11          | 15-0618-01  | Moulding cover.  |
| 12          | 15-0616-01  | Track section  |
| 13          | A26921-004  | Machine compartment baffle, sandalwood                         |
|             | A26921-015  | Machine compartment baffle, gray                               |
|             | A26921-004  | Machine compartment baffle, stainless steel                    |
| 14          | A26928-005  | Lower left panel, sandalwood                                   |
|             | A26928-015  | Lower left panel, gray   |
|             | A26928-004  | Lower left panel, stainless steel                              |
| 15          | 03-1419-09  | Screw  |
| 16          | A28795-004  | Left side panel, sandalwood                                    |
|             | A28795-015  | Left side panel, gray  |
|             | A28795-002  | Left side panel, stainless steel                               |
| 17          | 03-1394-01  | Pal nut  |
| 18          | 03-1638-03  | Screw  |
| 19          | A34010-001  | Rear panel   |
| 20          | 03-1404-09  | Screw  |
| 21          | A27066-003  | Corner post, sandalwood  |
|             | A27066-015  | Corner post, gray  |
|             | A27066-002  | Corner post, stainless steel                                   |
| 22          | 13-0781-01  | Gasket, 41" needed. Order by the foot.                         |

# AFE325 Service Parts

## Major Parts



# AFE325 Service Parts

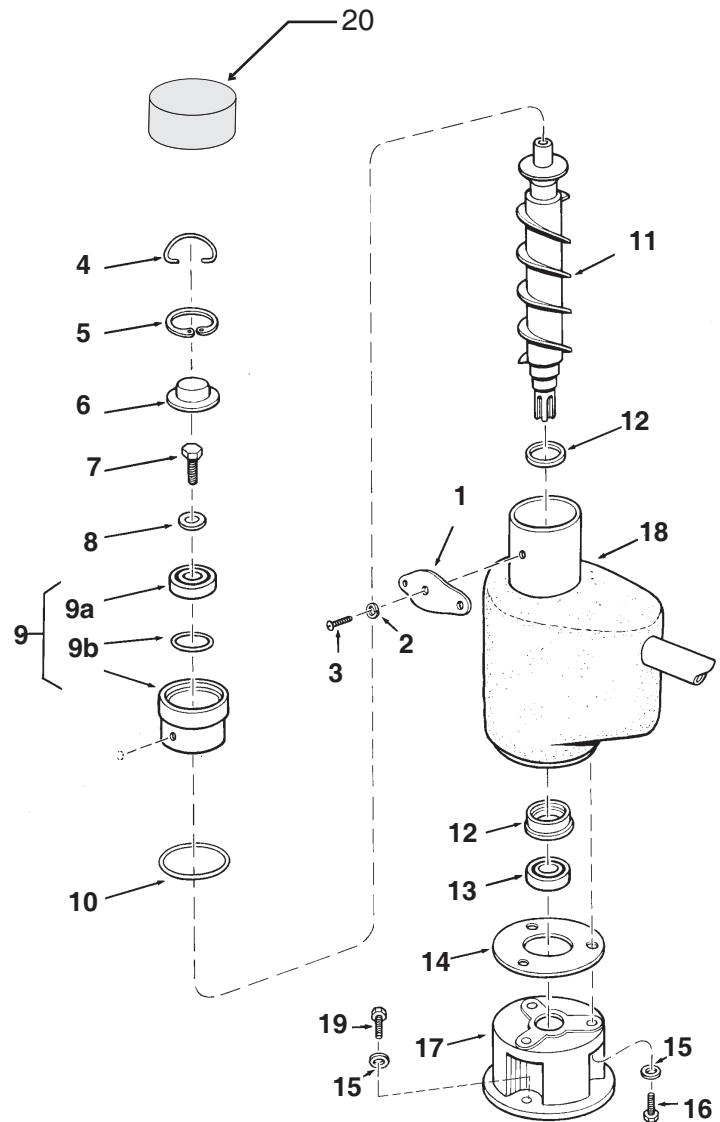
## Major Parts

| Item Number                                      | Part Number | Description   | Item Number                                  | Part Number | Description                                   |
|--|-------------|---|--|-------------|---|
| 1  | 18-3728-01  | Fan blade   | 21   | 02-2217-01  | Reservoir & float valve                       |
| 2  | A25548-015  | Fan motor bracket                                       |  | 02-2217-02  | Float valve only                              |
| 3  | 18-8752-21  | 60 Hz fan motor   | 22   | A28240-001  | Reservoir bracket                             |
|  | 18-8752-26  | 50 Hz fan motor   | 23   | A28214-001  | Control box cover                             |
| 3a   | 18-8752-10  | Vibration pad   | 24   | 11-0296-00  | Low water pressure switch                     |
| 3b   | 18-8752-11  | Fan blade nut   | 25   | 13-0617-26  | O-Ring  |
| 3c   | 18-8752-12  | Mounting screw  | 25a**  | 16-1046-01  | Plastic water line fitting                    |
| 4  | 03-1417-09  | Lockwasher  | 26   | 13-0815-01  | Evaporator cap                                |
| 5  | 03-0571-00  | Screw   | 27   | 13-0679-00  | Spout gasket                                  |
| 6  | 02-3319-01  | Drier   | 28   | 03-1417-07  | Lockwasher                                    |
| 7  | 18-3727-01  | Condenser   | 29   | 03-1544-05  | Screw   |
| 8  | 03-1417-06  | Lockwasher  | 30   | 03-1417-12  | Lockwasher                                    |
| 9  | 03-1404-15  | Screw   | 31   | 03-1420-04  | Screw   |
| 10   | A38486-001  | Fan shroud  | 32   | A29915-002  | Splined coupling                              |
| 11   | 18-8918-21  | 60 Hz compressor*                                       | 33   | 13-0628-00  | Gasket  |
|  | 18-8918-26  | 50 Hz compressor*                                       | 34   | 02-4399-21  | 60 Hz gearmotor                               |
|  |             | <b>A series (Tecumseh compressor) parts:</b>            |  | A36546-006  | 50 Hz gearmotor                               |
|  | 18-8746-29  | 60 Hz start capacitor                                   | 35   | 13-0639-00  | Grommet                                       |
|  | 18-8746-28  | 60 Hz start relay                                       | 36   | A24925-001  | Spacer  |
|  | 18-8746-27  | 60 Hz overload  | 37   | 03-1408-02  | Spacer washer                                 |
|  | 18-8746-25  | 50 Hz start capacitor                                   | 38   | 03-1410-03  | Lockwasher                                    |
|  | 18-8746-24  | 50 Hz start relay                                       | 39   | 03-1405-45  | Screw   |
|  | 18-8746-23  | 50 Hz overload  | 40   | 13-0639-00  | Grommet                                       |
|  |             | <b>B series (Danfoss compressor) parts:</b>             | 41   | 13-0806-01  | Sealing pad                                   |
|  | 18-1903-60  | 60 Hz relay w/overload                                  | 42   | A34072-001  | Cabinet & Bin (foamed)<br>for painted         |
|  | 18-1901-60  | 60 Hz start capacitor                                   |  | A34072-002  | Cabinet & Bin (foamed)<br>for stainless steel |
|  | 18-1903-61  | 50 Hz relay w/overload                                  |  |             |   |
|  | 18-1901-61  | 50 Hz start capacitor                                   |  |             |   |
| 12   | 18-4700-28  | Grommet   | 43**   | 16-1081-01  | 90 degree plastic inlet fitting               |
|  | 18-0108-41  | Sleeve  |  | 16-0835-01  | Brass adapter for above                       |
| 13   | 03-1408-29  | Washer  | 44**   | 16-0871-01  | Brass insert                                  |
|  | 03-1407-07  | Washer  | 45**   | 13-0895-01  | Poly tubing                                   |
| 14   | 03-1405-20  | Screw   | 46**   | 16-1040-01  | Plastic T                                     |
| 15   | A28042-003  | Ice tube  | **Prior models used copper water inlet line. |             |   |
| 16   | 02-0179-02  | Hose clamp  | 47   | 11-0501-04  | High pressure cut out                         |
| 17   | 13-0079-03  | Reservoir overflow tube,<br>order by the foot (3' req.) |  |             |   |
| 18   | 13-0674-09  | Reservoir to evap tube,<br>2.5" req. order by the foot  |  |             |   |
| * Includes drier, starting components and tubing |             |   |  |             |   |
| 19   | 02-0694-00  | Hose clamp, use w/item 18                               |  |             |   |
| 20   | 02-0534-01  | Hose clamp, use w/item 17                               |  |             |   |

# AFE325 Service Parts

## Evaporator, Auger, Bearings & Water Seal

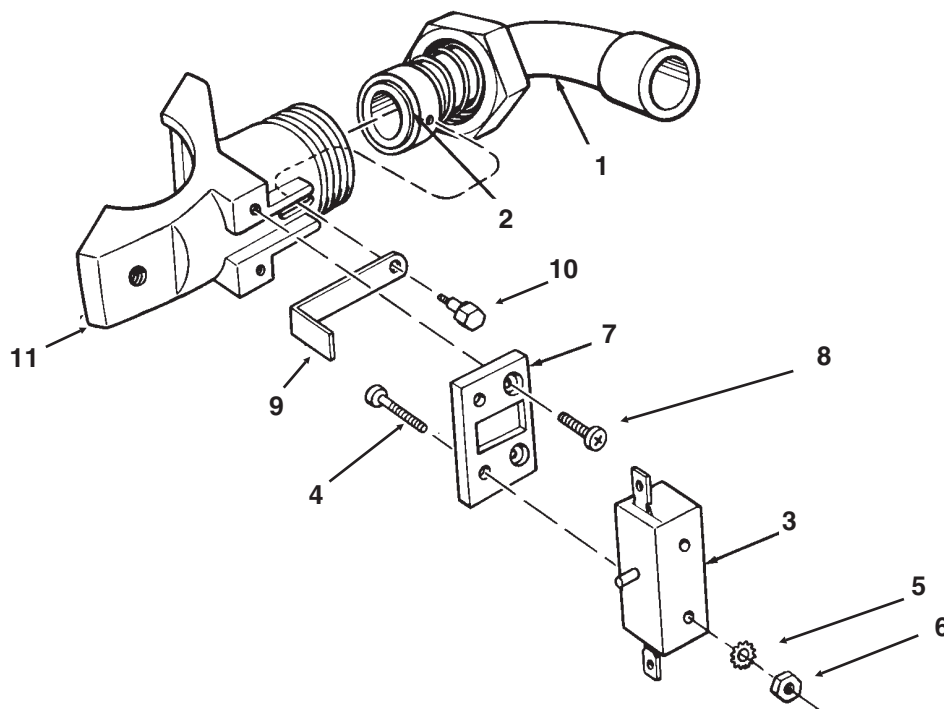
| Item Number | Part Number | Description        |
|-------------|-------------|--------------------|
| 1           | A18430-002  | Spout plate        |
| 2           | 03-1409-14  | Washer             |
| 3           | 03-1506-01  | Screw              |
| 4           | A08162-000  | Cap hook           |
| 5           | 03-1558-03  | Retainer Ring      |
| 6           | A07701-000  | Cap                |
| 7           | 03-0758-00  | Screw              |
| 8           | A07699-000  | Washer             |
| 9           | A15508-020  | Bearing & Retainer |
| 9a          | 02-0695-20  | Bearing            |
| 9b          | 13-0617-16  | O-ring             |
| 10          | 13-0617-29  | O-ring             |
| 11          | A29478-020  | Auger              |
| 12          | 02-1300-01  | Water seal         |
| 13          | 02-0417-20  | Bottom bearing     |
| 14          | 03-1505-00  | Gasket             |
| 15          | 03-1410-04  | Washer             |
| 16          | 03-1405-42  | Cap screw          |
| 17          | 08-0595-01  | Adapter            |
| 18          | A29360-020  | Evaporator         |
| 19          | 03-1405-38  | Screw              |
| 20          | 02-4404-01  | Threaded cap       |



Note: Items 4 and 6 not used with threaded cap.

# AFE325 Service Parts

## Spout



| Item Number | Part Number | Description                                      |
|-------------|-------------|--|
| 1           | A26542-001  | Ice discharge tube<br>(includes spring & collar) |
| 2           | 13-0617-41  | O - Ring   |
| 3           | 12-1664-00  | Switch   |
| 4           | 03-1418-28  | Screw  |
| 5           | 03-1417-01  | Lockwasher                                       |
| 6           | 03-1406-01  | Nut  |
| 7           | 02-2377-01  | Thermal barrier                                  |
| 8           | 03-1418-01  | Screw  |
| 9           | A27511-001  | Lever  |
| 10          | A25305-001  | Shoulder screw                                   |
| 11          | A24934-001  | Spout  |

# AFE325 Service Parts

## Gear Reducer and Motor

| Item Number | Part Number | Description            |
|-------------|-------------|------------------------|
| 1           | A27494-001  | Centrifugal switch kit |
| 2           | 12-2059-01  | Switch                 |
| 3           | A27494-001  | Housing                |
| 4           | 03-1403-77  | Screw                  |
| 5           | A30579-001  | Shaft & actuator       |
| 6           | 03-1408-36  | Washer                 |
| 7           | A38487-001  | Motor housing          |
| 8           | A28168-001  | Cooling fan            |
| 9           | no number   | Part of item 10        |
| 10          | A37707-021  | 60 Hz motor kit*       |
|             | A38501-001  | 50 Hz motor kit*       |
| 11          | 03-1408-08  | Washer                 |
| 12          | 02-1501-00  | Bearing                |
| 13          | 02-3969-20  | Grease seal (input)    |
| 14          | 02-1503-00  | Grease seal (output)   |
| 15          | see item 23 | Gear case cover        |
| 16          | 03-1408-21  | Washer**               |
| 17          | 03-1408-04  | Washer**               |
| 18          | 02-2445-01  | Output shaft**         |
| 19          | 03-1515-03  | Retaining ring**       |
| 20          | 03-1602-01  | Woodruff key**         |

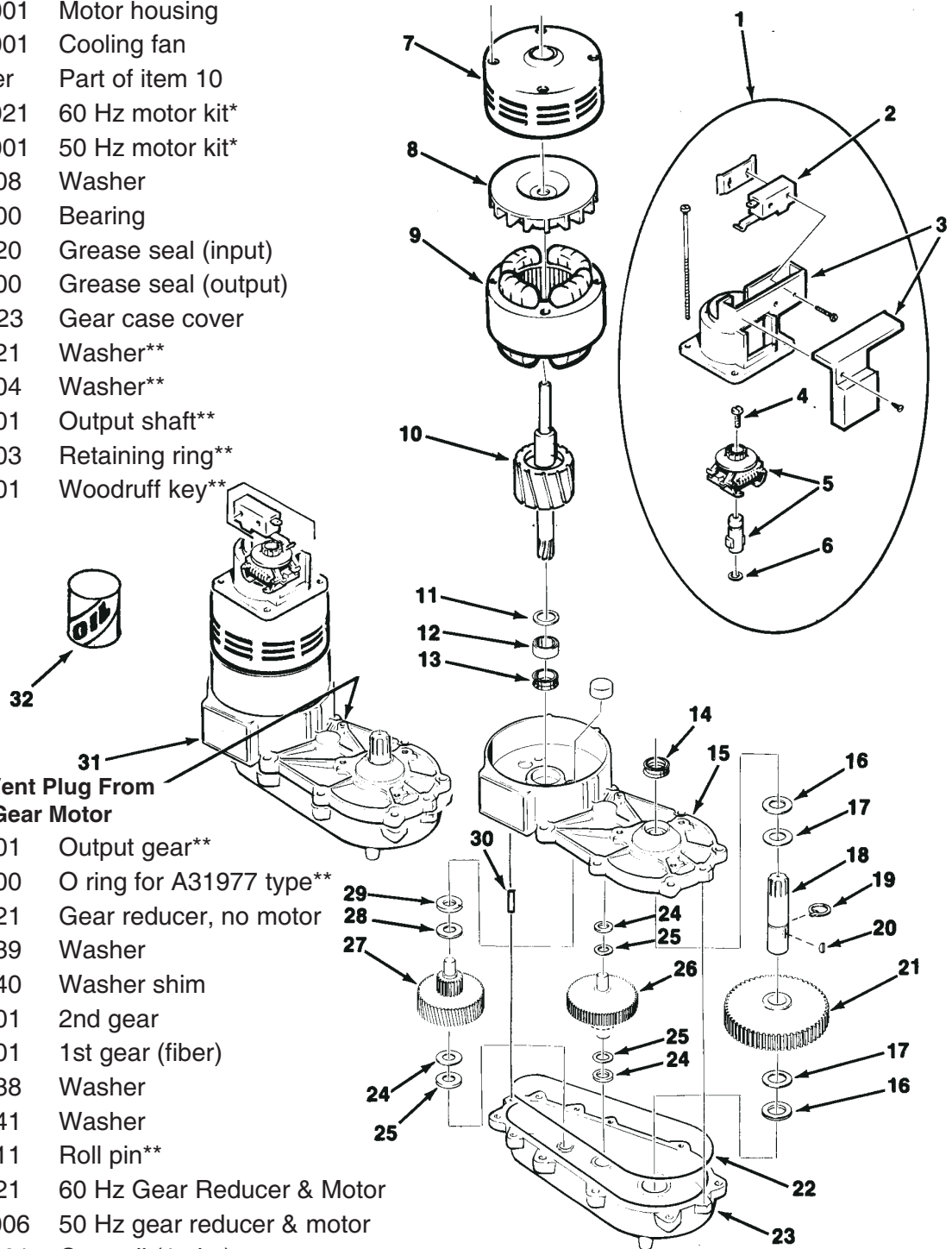
Notes:

\* Motor kit includes items 3, 7, 8, 9, 10, 11, 12

\*\* Does not apply to 02-4399-21 or 02-4399-24.

02-4398-21 gear reducer kit includes items 13-30 and oil.

Correct oil charge is 5 oz.



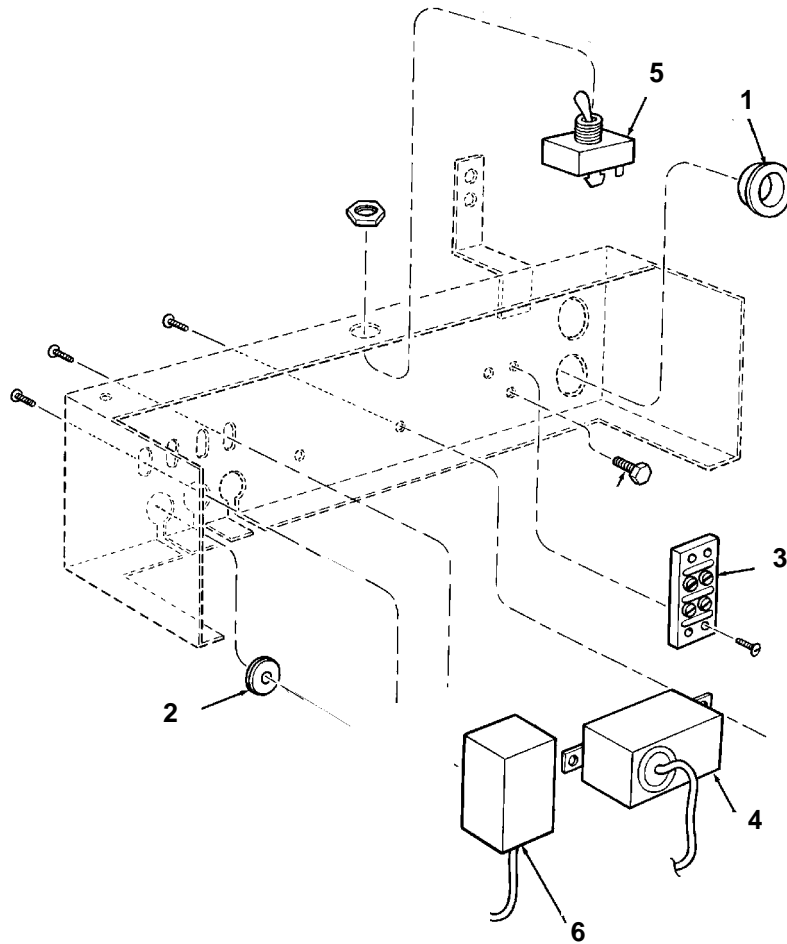
Remove Rubber Vent Plug From Replacement Gear Motor

|    |            |                            |
|----|------------|----------------------------|
| 21 | 02-2444-01 | Output gear**              |
| 22 | 02-1505-00 | O ring for A31977 type**   |
| 23 | 02-4398-21 | Gear reducer, no motor     |
| 24 | 03-1408-39 | Washer                     |
| 25 | 03-1408-40 | Washer shim                |
| 26 | 02-2439-01 | 2nd gear                   |
| 27 | 02-2438-01 | 1st gear (fiber)           |
| 28 | 03-1408-38 | Washer                     |
| 29 | 03-1408-41 | Washer                     |
| 30 | 03-0774-11 | Roll pin**                 |
| 31 | 02-4399-21 | 60 Hz Gear Reducer & Motor |
|    | A36549-006 | 50 Hz gear reducer & motor |
| 32 | A25835-001 | Gear oil (1 pint)          |



# AFE325 Service Parts

## Control Box



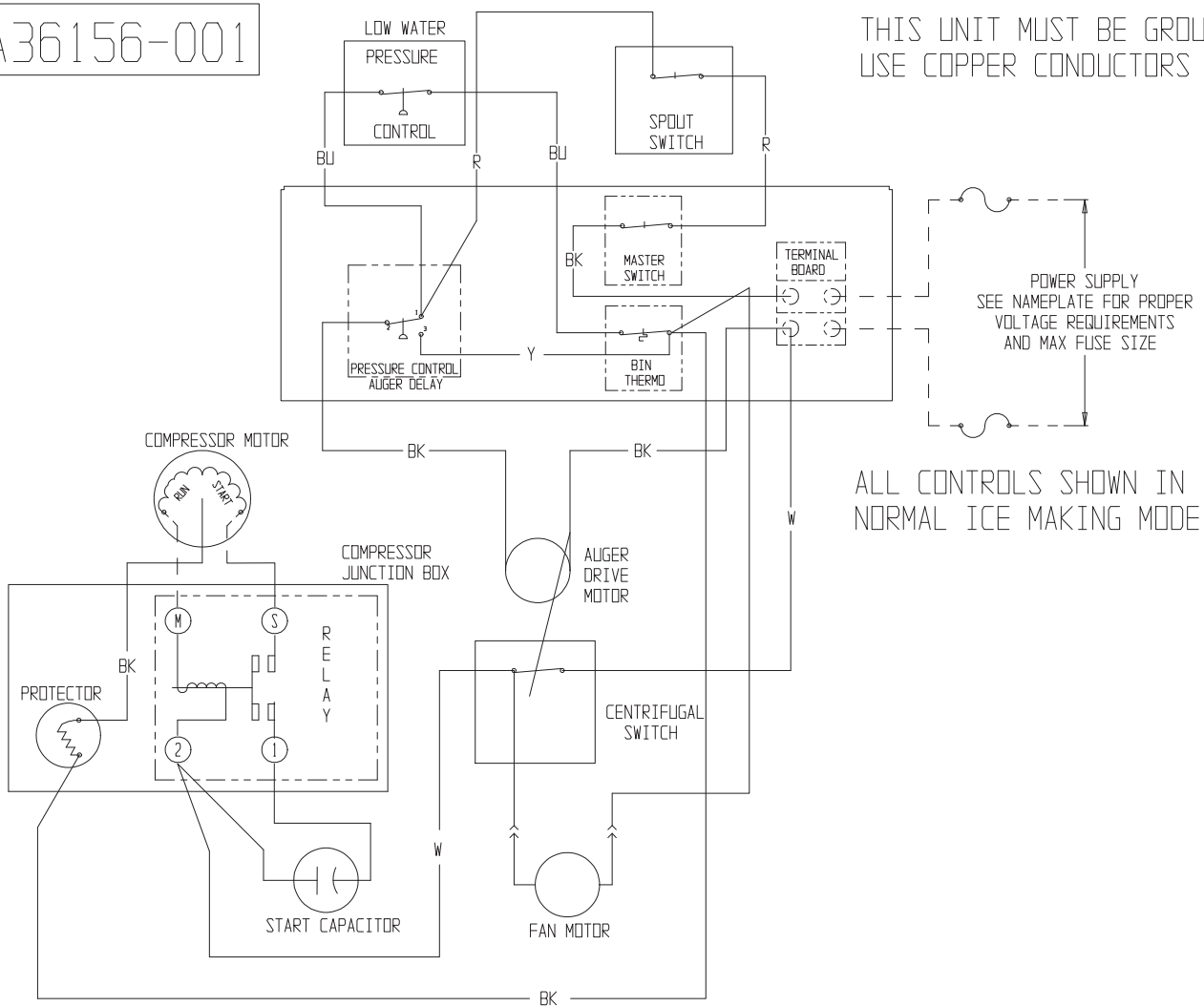
| Item Number | Part Number | Description                  |
|-------------|-------------|------------------------------|
| 1           | 12-1213-10  | Snap bushing                 |
| 2           | 13-0557-00  | Grommet                      |
| 3           | 12-0813-04  | Terminal strip               |
| 4           | 11-0354-20  | Bin thermostat               |
| 5           | 12-0426-01  | Master switch                |
| 6           | 11-0402-21  | Auger delay pressure control |

# AFE325 Service Parts

## Wiring Diagram

A36156-001

THIS UNIT MUST BE GROUNDED  
USE COPPER CONDUCTORS ONLY

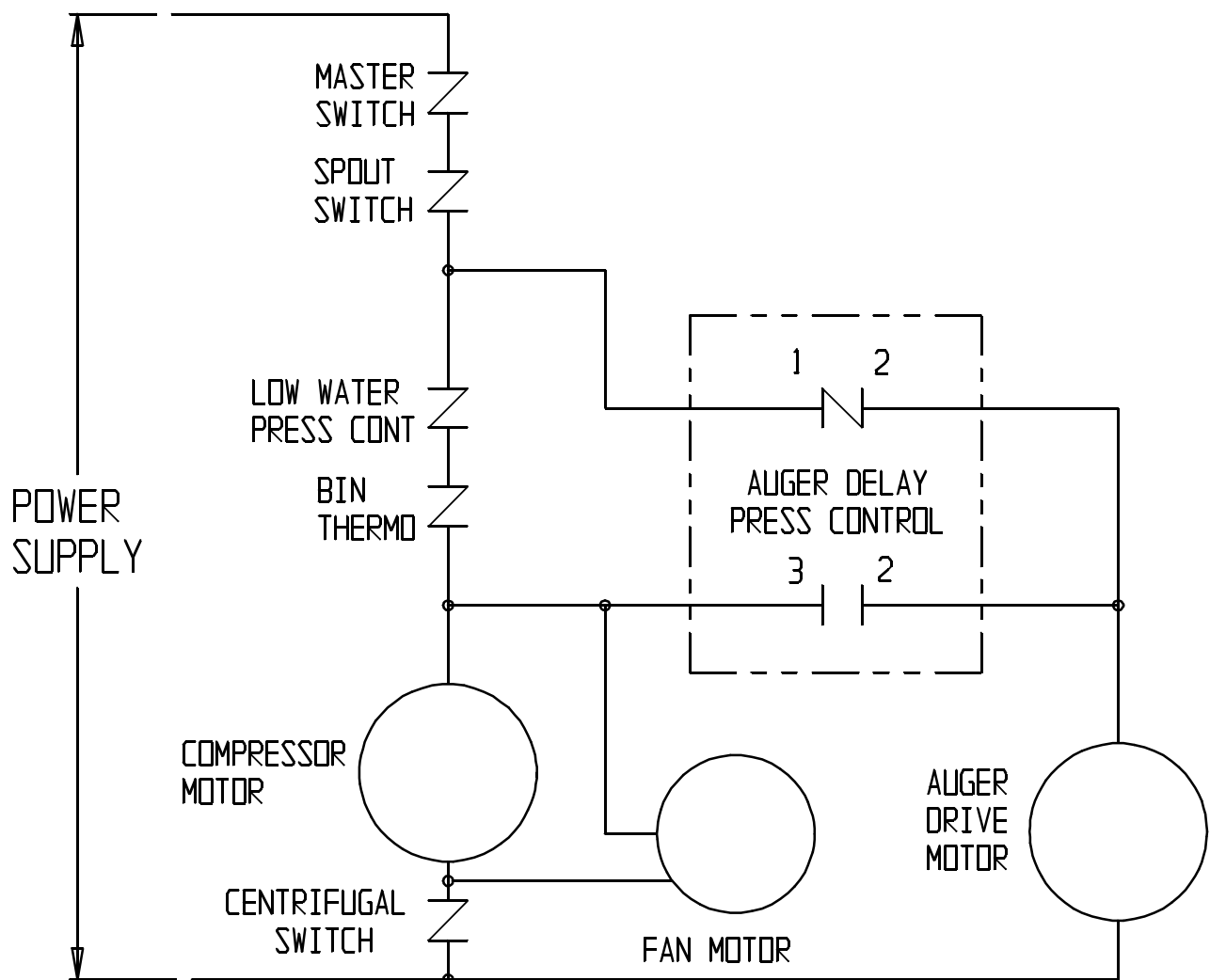


ALL CONTROLS SHOWN IN  
NORMAL ICE MAKING MODE

# AFE325 Service Parts

## Schematic Diagram

ALL CONTROLS SHOWN IN  
NORMAL ICE MAKING MODE

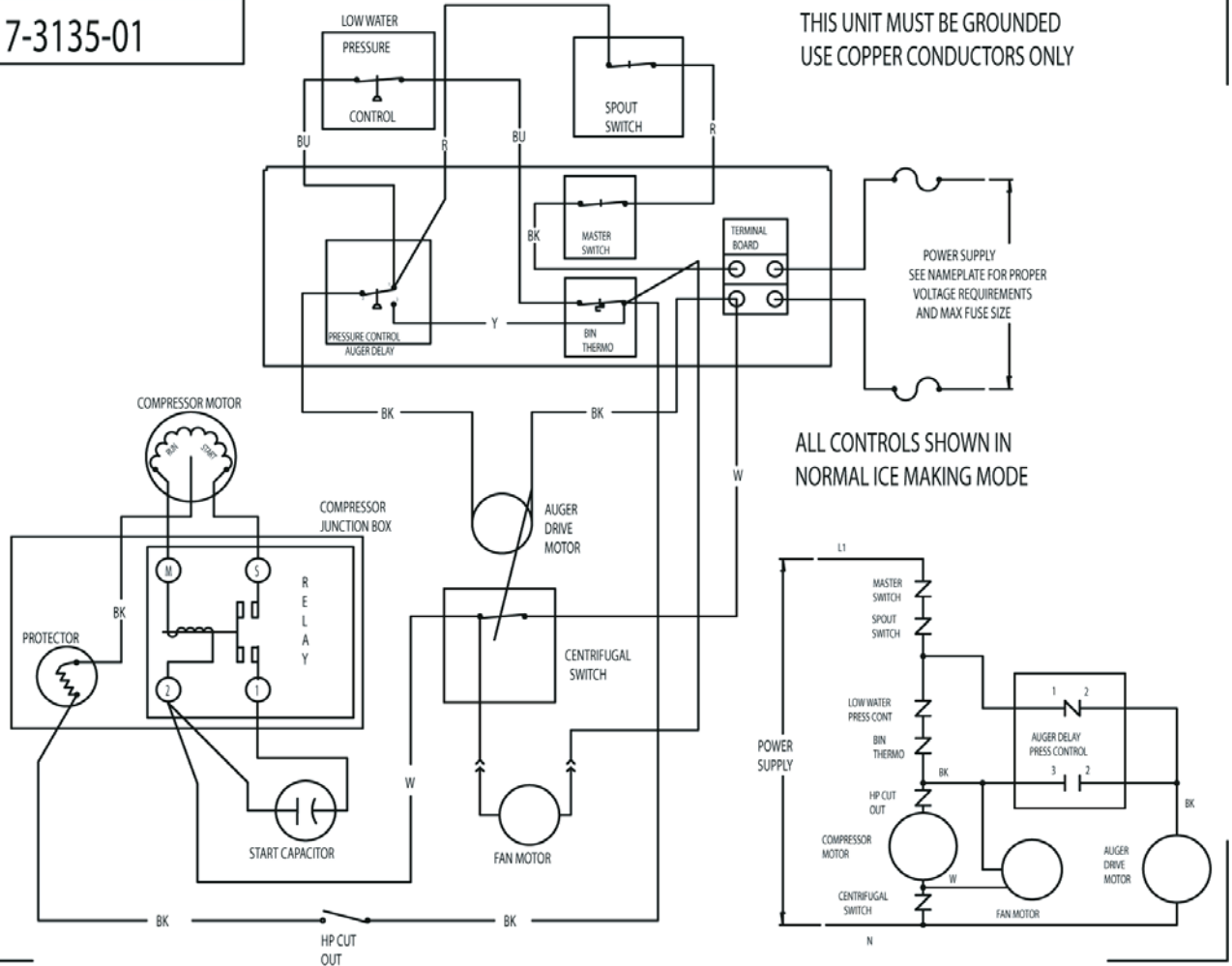


# AFE325 Service Parts

## Units with High Pressure Cut Out

17-3135-01

THIS UNIT MUST BE GROUNDED  
USE COPPER CONDUCTORS ONLY



ALL CONTROLS SHOWN IN  
NORMAL ICE MAKING MODE



---

**Bulletin Number: PS - 5 - 2005**

**Bulletin Date: April 2005**

---

# SERVICE BULLETIN

---

## **Subject: AFE325 and AFE400 Model Number and Compressor Change**

The model series number of these ice machines has been changed due to the introduction of a new compressor. The new model numbers are:

AFE325AS-1B  
AFE325AS-6B  
AFE400A-1C  
AFE400W-1C  
AFE400A-6C  
AFE400W-6C

All the above use a Danfoss compressor. The new service compressor's part numbers are:

18-8918-21 for 60 Hz (-1)  
18-8918-26 for 50 Hz (-6)

The above service compressors are kits that include the starting components and tubing to replace the prior Tecumseh (service compressors 18-8746-21 and 18-8746-26 will be discontinued).

Starting components for the new compressors:

60 Hz start relay w/overload: ..... 18-1903-60  
60 Hz start capacitor: ..... 18-1901-60  
50 Hz start relay w/overload: ..... 18-1903-61  
50 Hz start capacitor. .... 18-1901-61