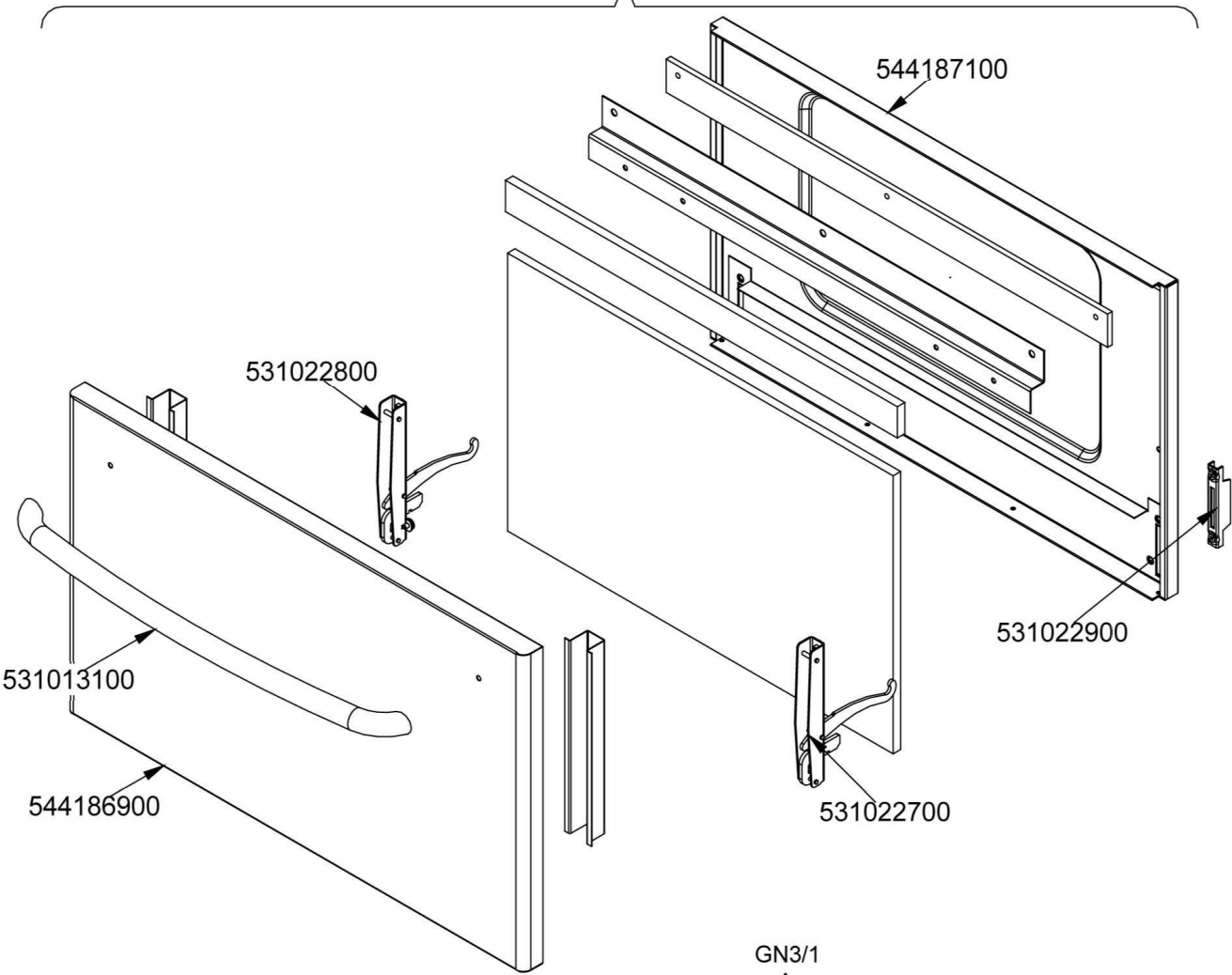
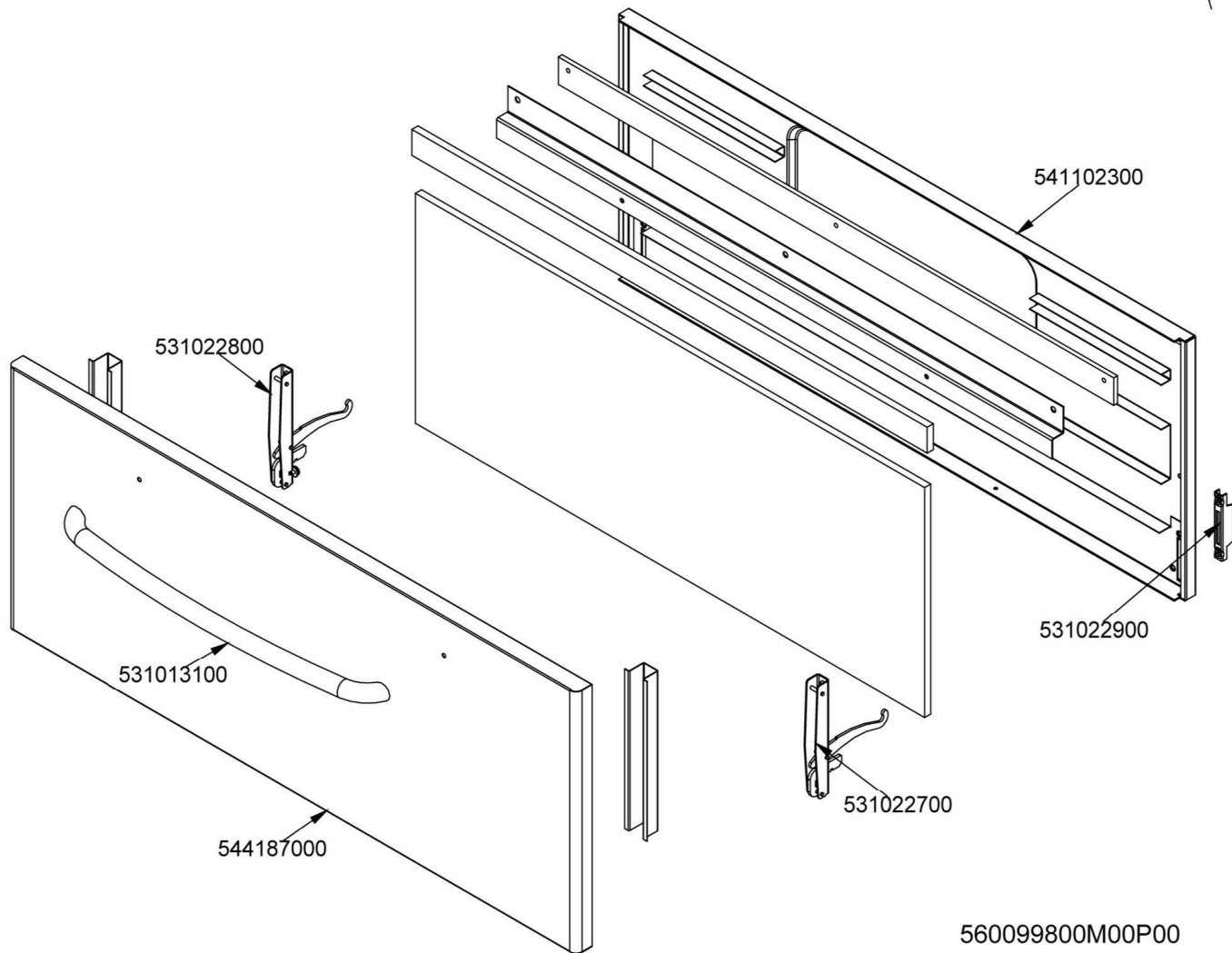


GN2/1



GN3/1

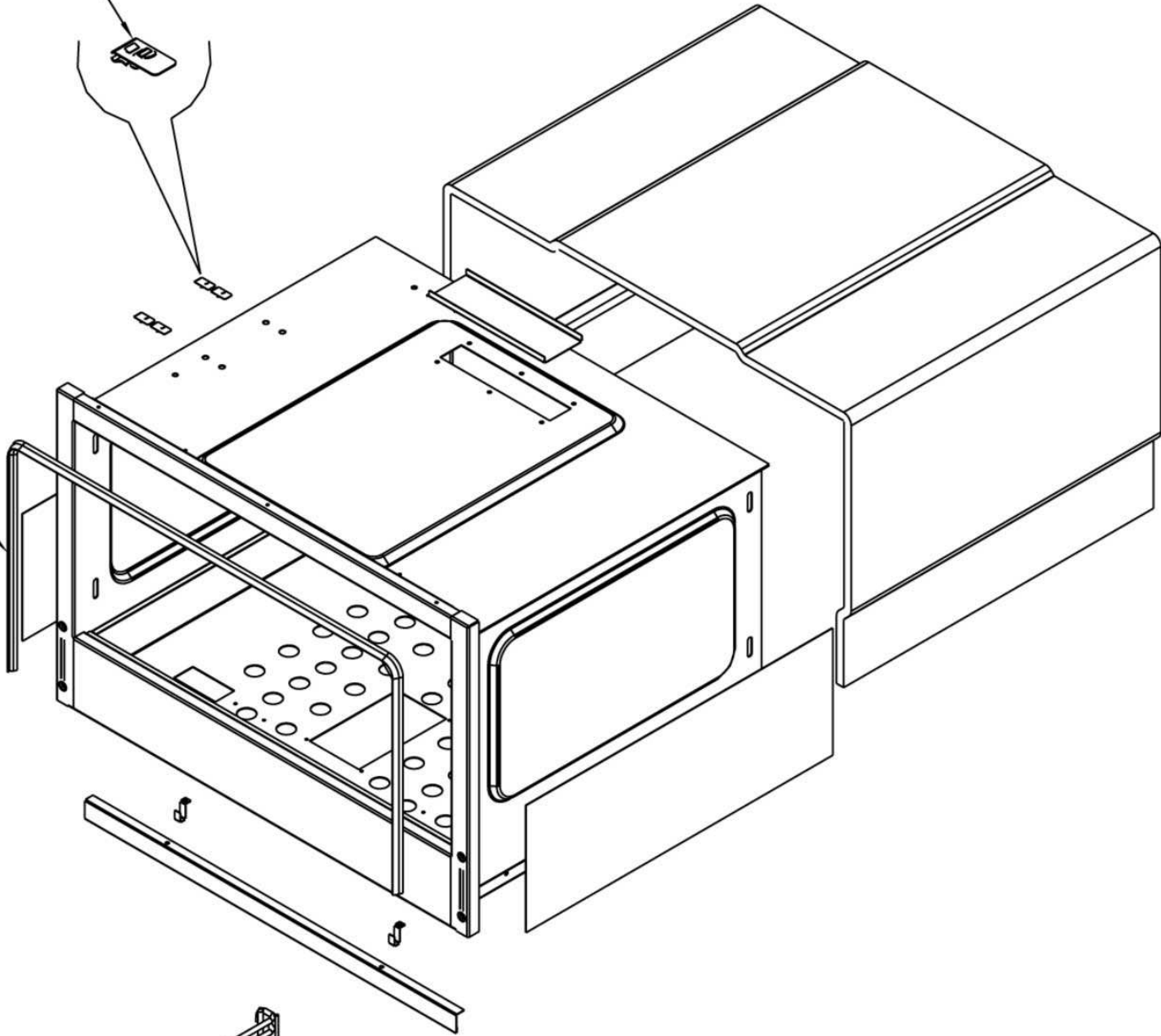


560099800M00P00

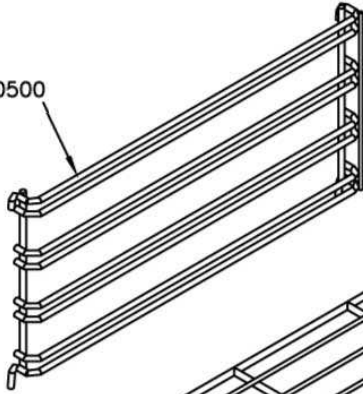
533037600



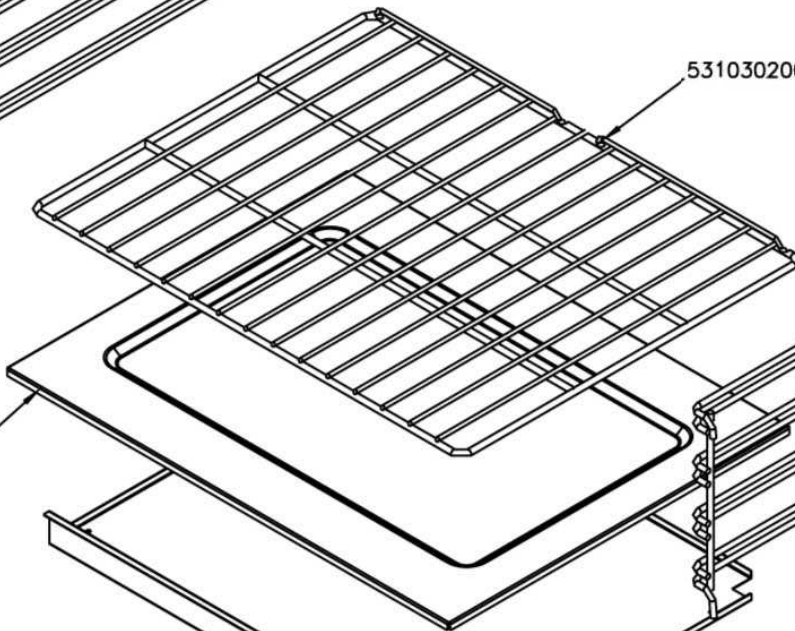
536010801



531030500

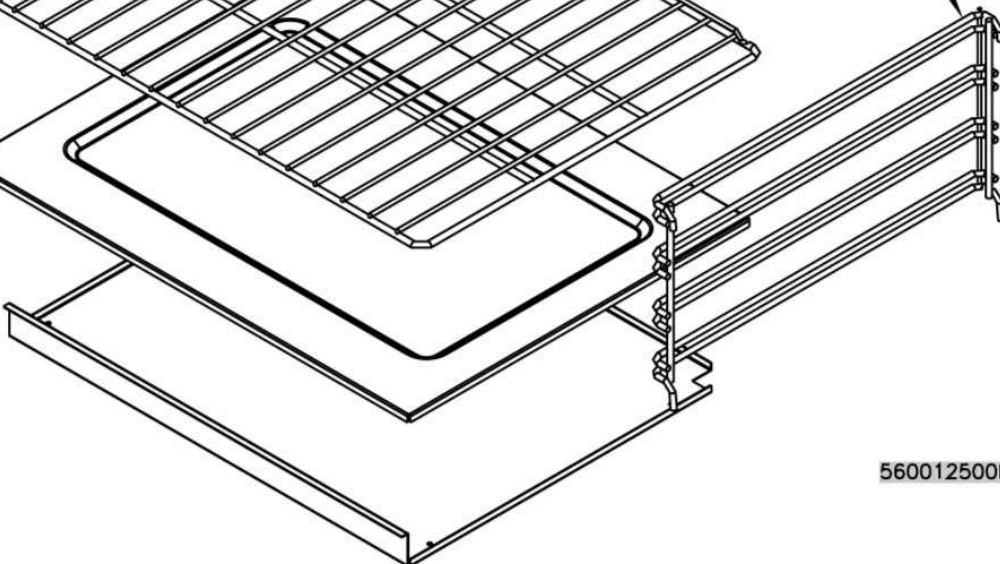


531030200

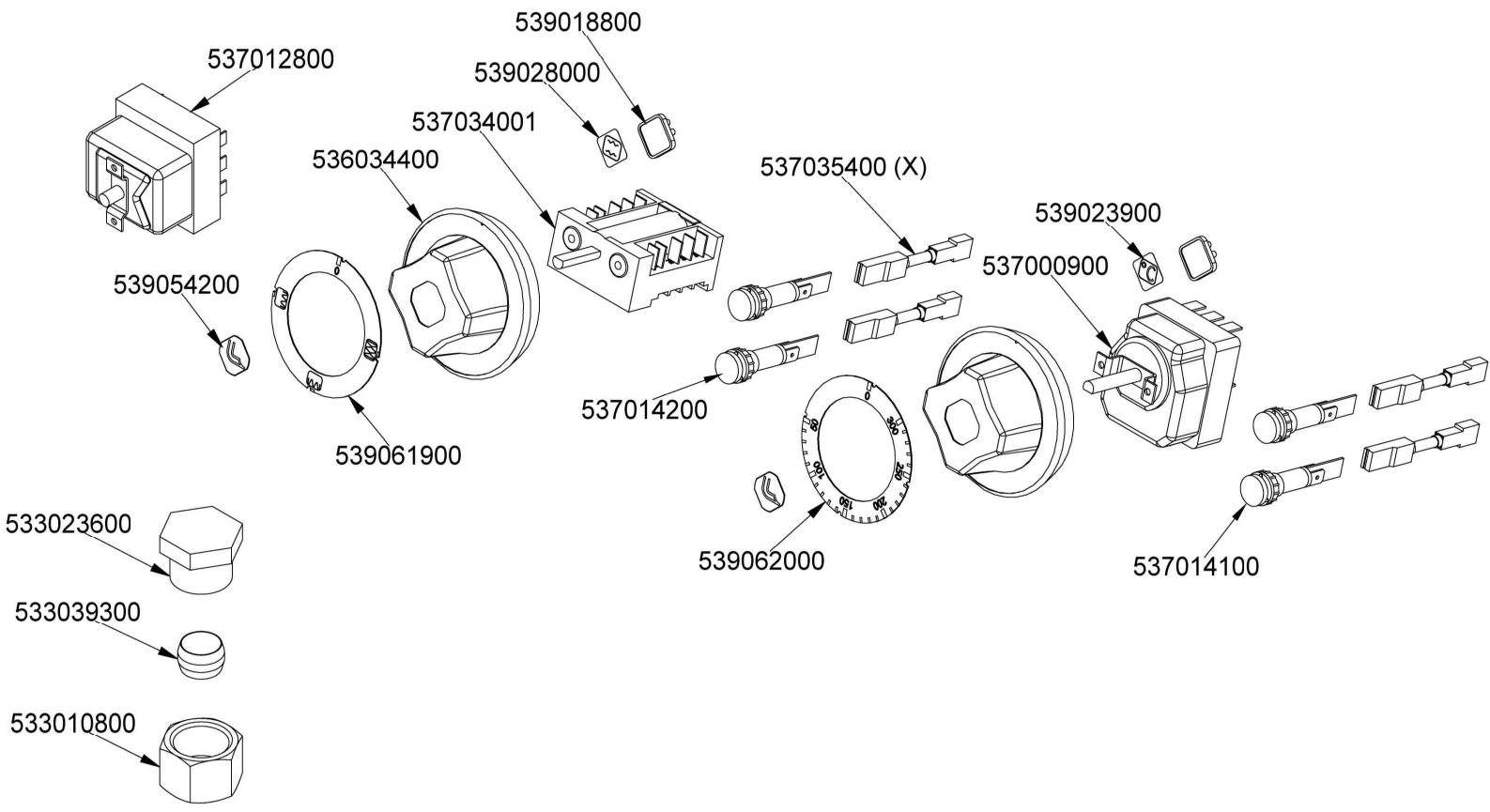


531030400

544198900

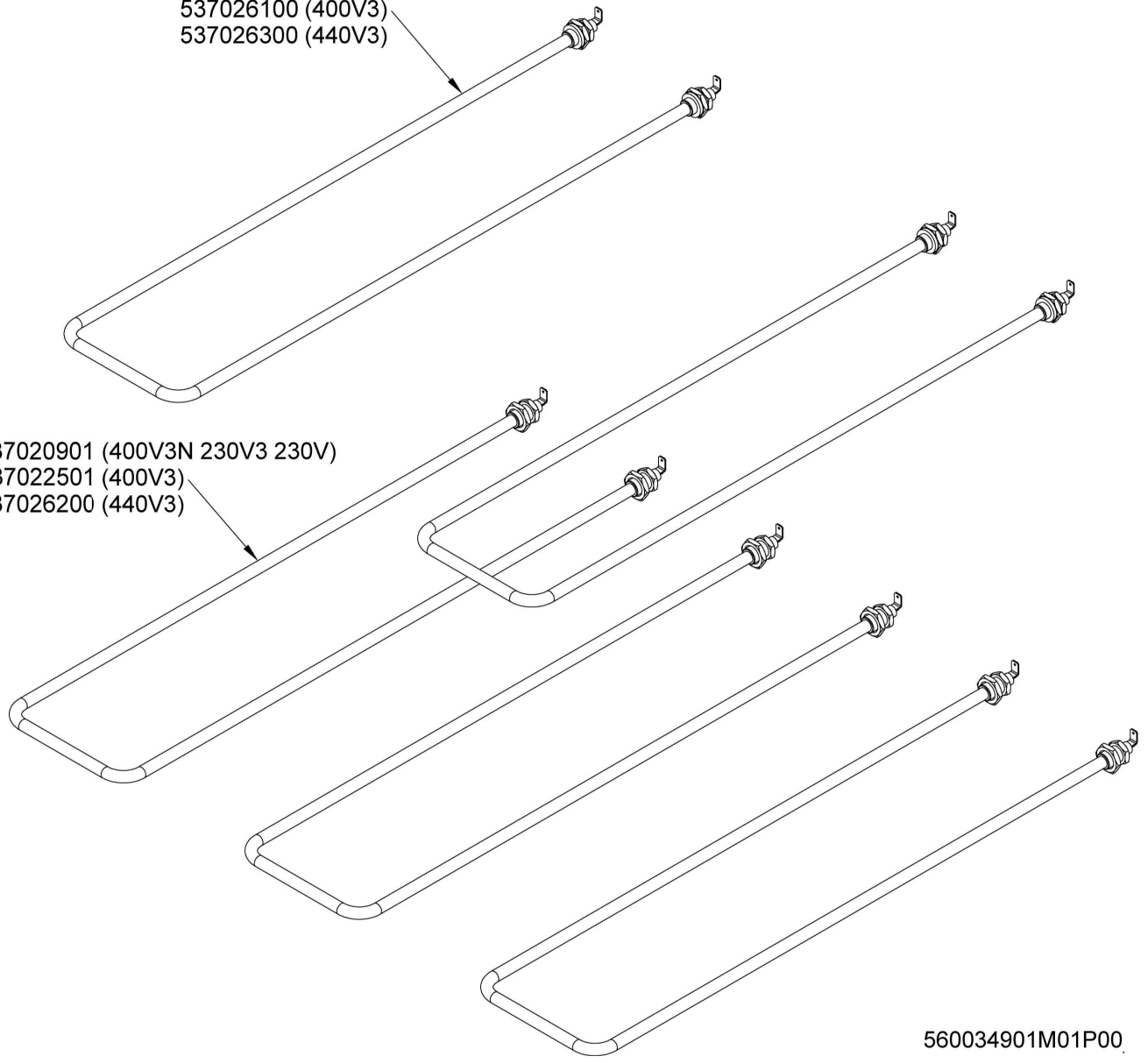


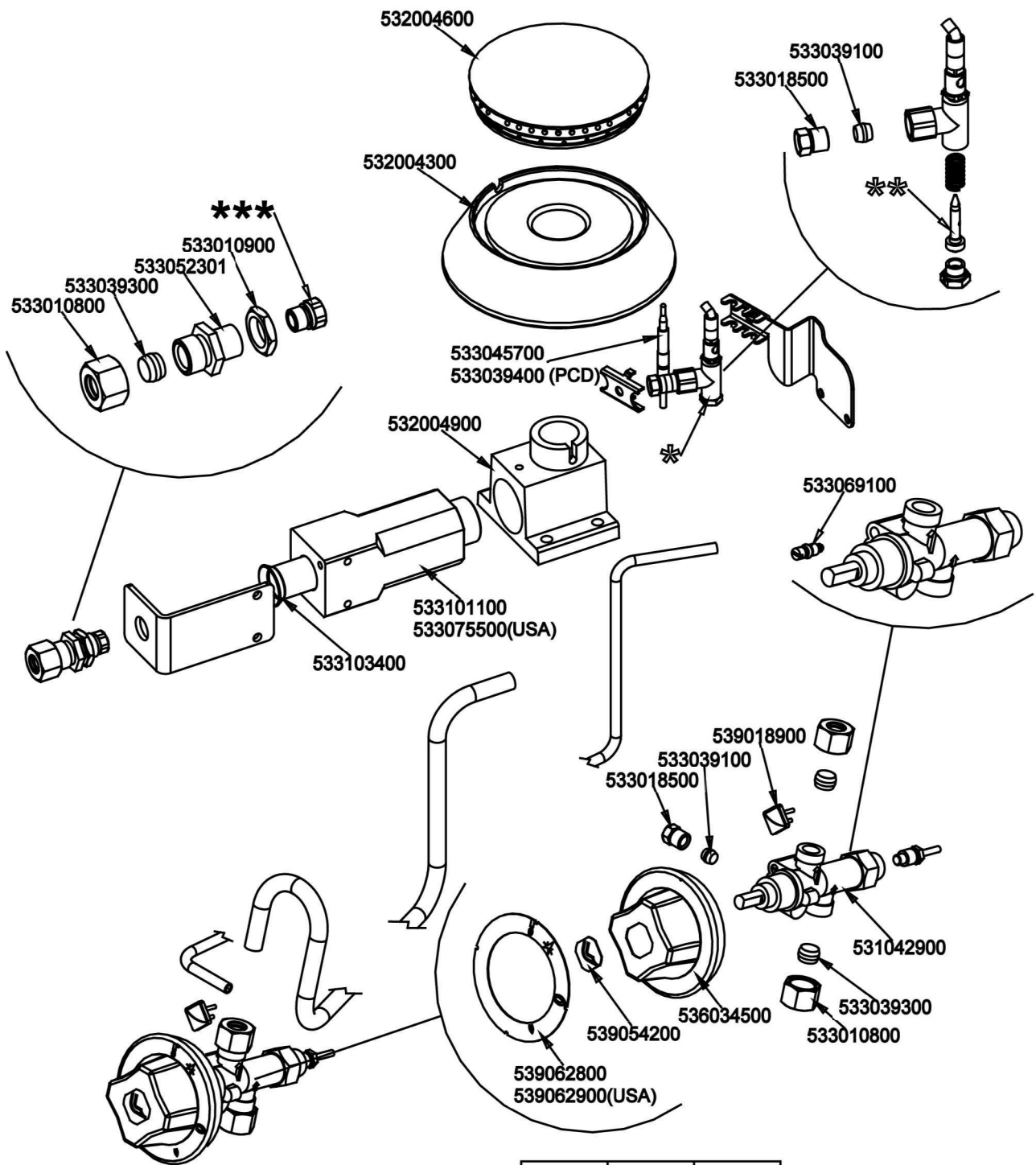
560012500M01P00



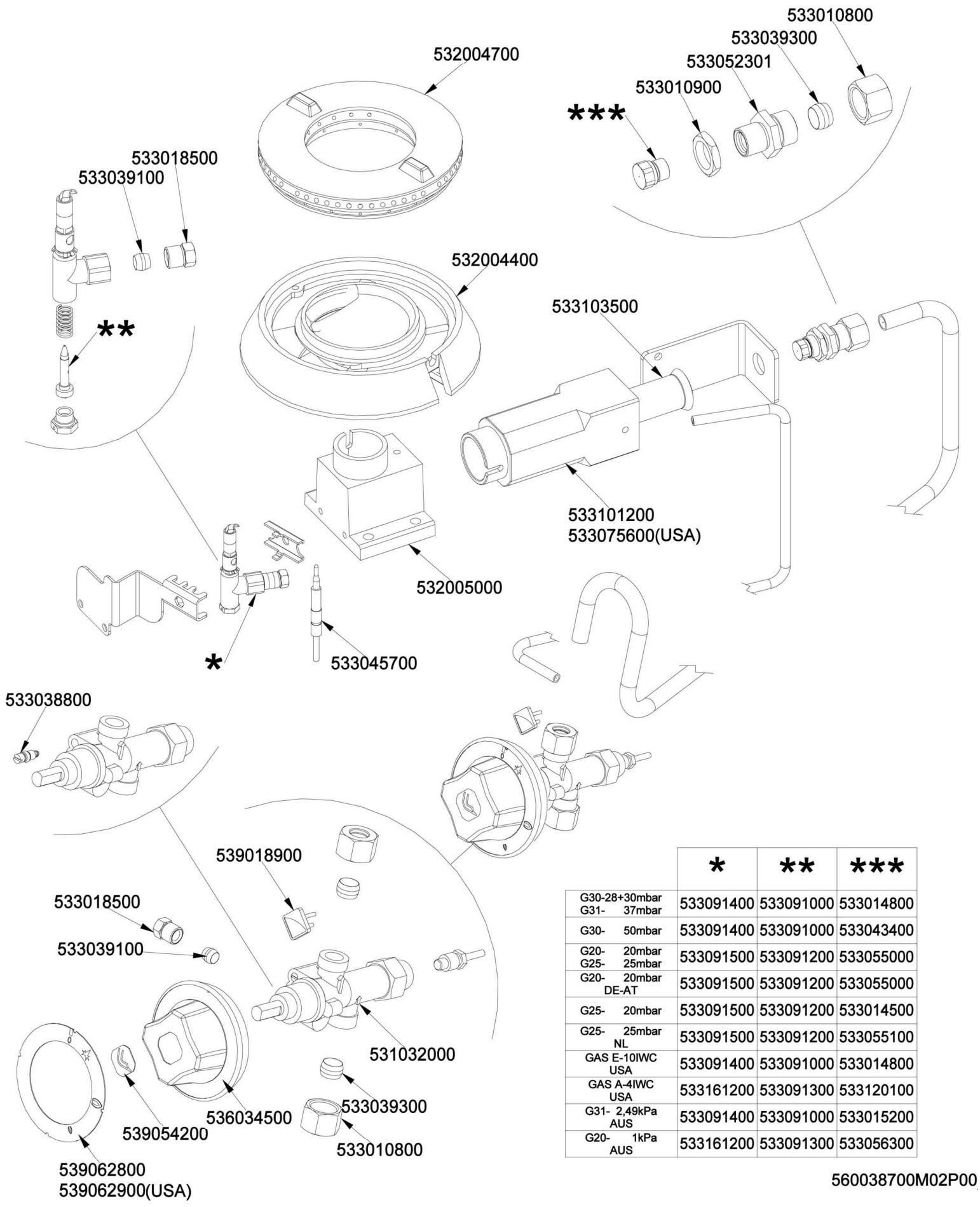
537025400 (400V3N 230V3 230V)
 537026100 (400V3)
 537026300 (440V3)

537020901 (400V3N 230V3 230V)
 537022501 (400V3)
 537026200 (440V3)



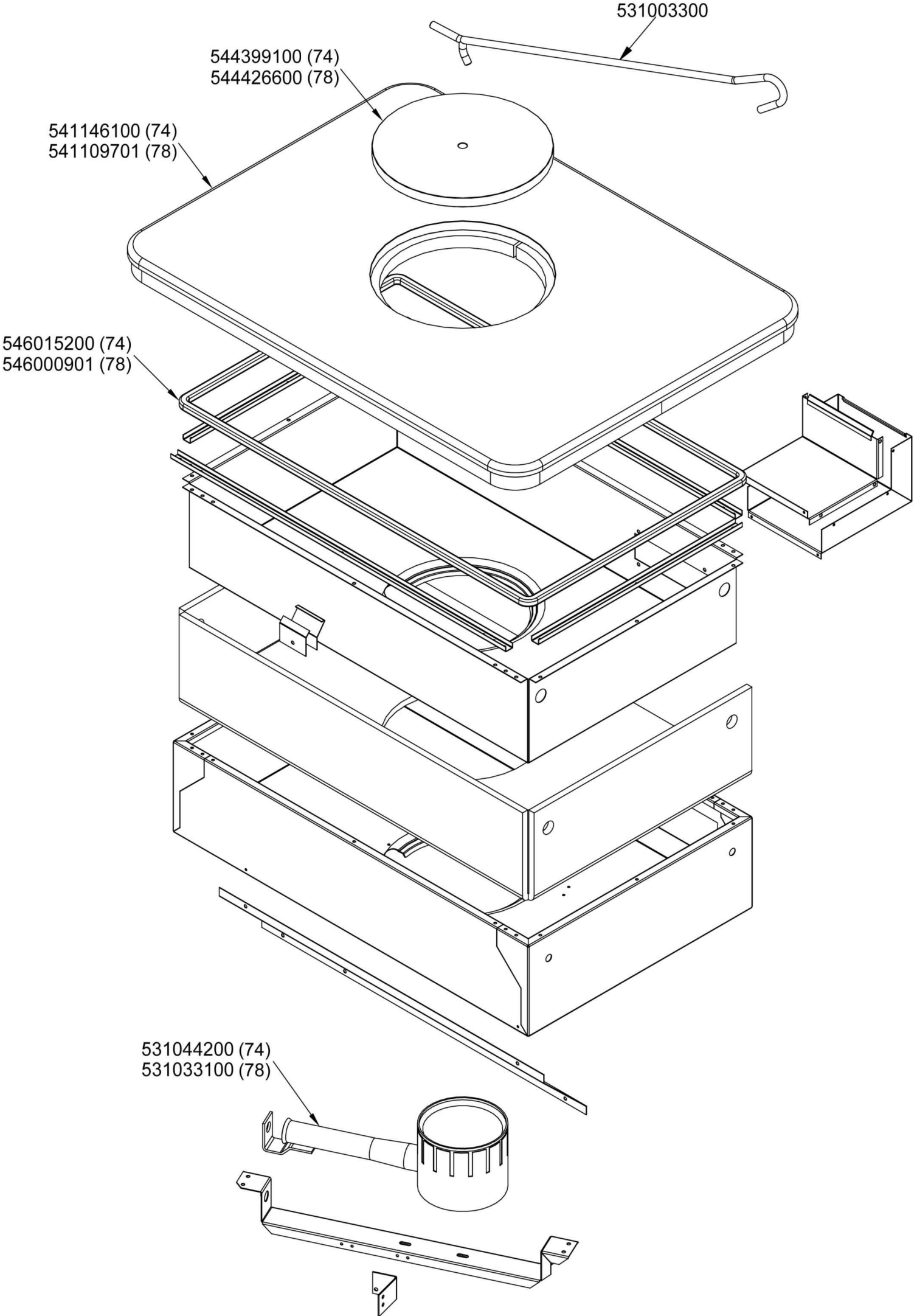


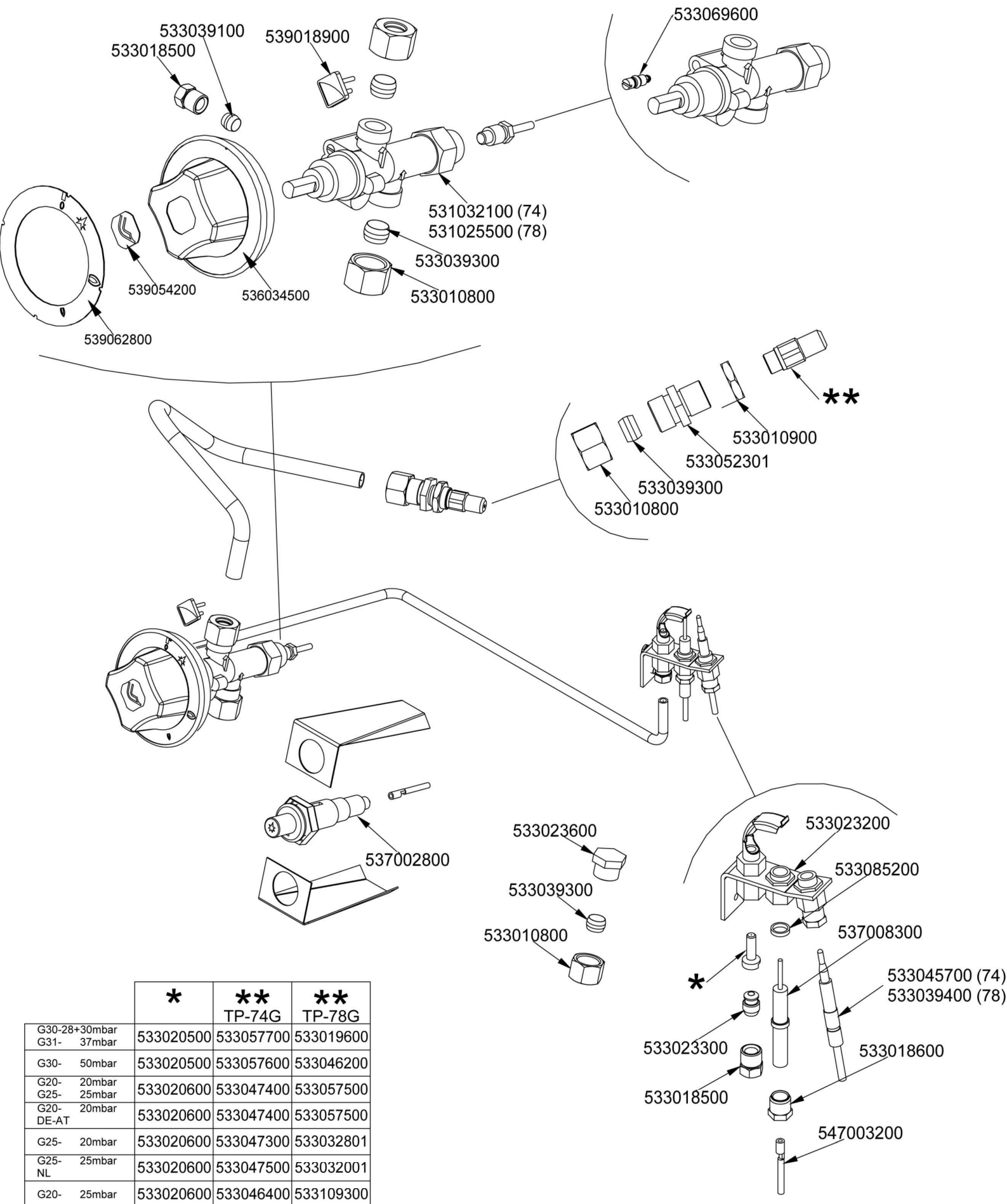
| | * | ** | *** |
|------------------------------|-----------|-----------|-----------|
| G30-28+30mbar G31- 37mbar | 533091400 | 533091000 | 533043900 |
| G30- 50mbar | 533091400 | 533091000 | 533019300 |
| G20- 20mbar G25- 25mbar | 533091500 | 533091200 | 533031000 |
| G20- 20mbar DE-AT | 533091500 | 533091200 | 533031000 |
| G25- 20mbar | 533091500 | 533091200 | 533043500 |
| G25- 25mbar NL | 533091500 | 533091200 | 533019400 |
| GAS E-10IWC USA | 533091400 | 533091000 | 533043200 |
| GAS A-4IWC USA | 533161200 | 533091300 | 533043100 |
| G31- 2,49kPa AUS | 533091400 | 533091000 | 533043900 |
| G20- 1kPa AUS | 533161200 | 533091300 | 533043500 |



| | * | ** | *** |
|------------------------------|-----------|-----------|-----------|
| G30-28+30mbar G31- 37mbar | 533091400 | 533091000 | 533014800 |
| G30- 50mbar | 533091400 | 533091000 | 533043400 |
| G20- 20mbar G25- 25mbar | 533091500 | 533091200 | 533055000 |
| G20- 20mbar DE-AT | 533091500 | 533091200 | 533055000 |
| G25- 20mbar | 533091500 | 533091200 | 533014500 |
| G25- 25mbar NL | 533091500 | 533091200 | 533055100 |
| GAS E-10IWC USA | 533091400 | 533091000 | 533014800 |
| GAS A-4IWC USA | 533161200 | 533091300 | 533120100 |
| G31- 2,49kPa AUS | 533091400 | 533091000 | 533015200 |
| G20- 1kPa AUS | 533161200 | 533091300 | 533056300 |

560038700M02P00





| | * | ** | ** |
|------------------------------|-----------|-----------|-----------|
| | | TP-74G | TP-78G |
| G30-28+30mbar G31- 37mbar | 533020500 | 533057700 | 533019600 |
| G30- 50mbar | 533020500 | 533057600 | 533046200 |
| G20- 20mbar G25- 25mbar | 533020600 | 533047400 | 533057500 |
| G20- 20mbar DE-AT | 533020600 | 533047400 | 533057500 |
| G25- 20mbar | 533020600 | 533047300 | 533032801 |
| G25- 25mbar NL | 533020600 | 533047500 | 533032001 |
| G20- 25mbar | 533020600 | 533046400 | 533109300 |

| Page | Pos | Code | Description |
|------|-----|-----------|-------------------------------------|
| 001 | | 532004100 | FLUE GRID L=370 90LINE (RAF |
| 001 | | 541134600 | LOW SPACER 78 2 GRIDS |
| 001 | | 544383200 | UPPER PLATE PC-78GP CF4-78GP/GPE |
| 001 | | 531047000 | 2 BURNER GRID FOR PC-700 |
| 001 | | 544333900 | BURNER CONTAINER 1/1GN R 304 |
| 001 | | 544173300 | LEFT SIDE PANEL RANGE S.70 |
| 001 | | 537027400 | TERMINAL BLOCK THREEPHASE 40A |
| 001 | | 541147200 | CONTROL PANEL TPF2-98GE |
| 001 | | 544173200 | RIGHT SIDE PANEL RANGE S.70 |
| 001 | | 536005200 | INOX LEG 2" 120-180 M10 |
| 002 | | 544187100 | OVEN INNER DOOR GN 2/1 70/90LINE |
| 002 | | 531022800 | LEFT OVEN DOOR HINGE S.70 |
| 002 | | 531013100 | OVEN DOOR HANDLE OF 70/90-LINE |
| 002 | | 544186900 | OVEN DOOR GN 2/1 70/90LINES |
| 002 | | 531022700 | RIGHT OVEN DOOR HINGE 70LINE |
| 002 | | 531022900 | HINGE DOOR WHEEL HOLDER S.70 |
| 002 | | 541102300 | GAS OVEN INNER DOOR GN 3/1 S.70 |
| 002 | | 544187000 | OVEN DOOR GN 3/1 S.70 |
| 003 | | 533037600 | LOCK SPRING FOR BULB |
| 003 | | 536010801 | OVEN GASKET GN 2/1 (1308 |
| 003 | | 531030500 | LHD SUPPORT GRID FOR OVEN OF 70LINE |
| 003 | | 531030200 | OVEN GRID GN 2/1 FOR 70 LINE |
| 003 | | 531030400 | RHD SUPPORT GRID FOR OVEN OF 70LINE |
| 003 | | 544198900 | 70 ELECTRICAL OVEN BOTTOM GN2/1 |
| 004 | | 539018800 | BLANK INDEX FOR KNOB |
| 004 | | 537012800 | SAFETY THERMOSTAT 420°C THREEPHASE |
| 004 | | 539028000 | SELECTOR SIGN PLATE FOR OVEN |
| 004 | | 537034001 | COMMUTATOR 4 POS.3PHASE S.42 16A |
| 004 | | 536034400 | KNOB §77 4P. §06*4,6 C/M |
| 004 | | 539023900 | SIGN PLATE FOR OVEN TEMPERATURE |
| 004 | | 537000900 | THERMOSTAT 063-320°C THREEPHASE |
| 004 | | 539054200 | STAMP Ø20,5 CR."L" LOTUS R. |
| 004 | | 537014200 | GREEN WARNING LIGHT 250V |
| 004 | | 539061900 | ADESIVE DISK FOR SWITCH OVEN S70 |
| 004 | | 533023600 | TAP PLUG §10 M16*1, 5CH19 |
| 004 | | 533039300 | BICONE §10 |
| 004 | | 533010800 | TUBE NUT D.10 M16*1,5 |
| 004 | | 539062000 | ADESIVE DISK THERMOSTAT OVEN S70 |
| 004 | | 537014100 | WHITE WARNING LIGHT 250V |
| 004 | | 537025400 | OVEN UPPER HEAT.EL.W700 V230 70LINE |
| 004 | | 537026100 | 70 OVEN UPPER HEATING EL. W700 V400 |
| 004 | | 537026300 | 70 OVEN UPPER HEATING EL.W700 V440 |
| 004 | | 537020901 | HEATING ELEMENT 1200W 230V OVEN S70 |
| 004 | | 537022501 | 70 OVEN HEATING ELEMENT W1200 V400 |
| 004 | | 537026200 | 70 OVEN LOWER HEATING EL.W1200 V440 |
| 005 | | 532004600 | BURNER COVER RING R D104 |
| 005 | | 533039100 | BICONE §6 |
| 005 | | 533018500 | FITTING FOR BICONE D.6 M10*1 |
| 005 | | 532004300 | MIDDLE BURNER BODY 70LINE P. |
| 005 | | 533010900 | NUT M14*1 H.4 |
| 005 | | 533052301 | JOINT FOR NOZZLE HOLDER |

| Page | Pos | Code | Description |
|------|-----|-----------|-------------------------------------|
| 005 | | 533039300 | BICONE §10 |
| 005 | | 533010800 | TUBE NUT D.10 M16*1,5 |
| 005 | | 533045700 | THERMOCOUPLE M9*1 500 |
| 005 | | 533039400 | THERMOCOUPLE M9*1*850 |
| 005 | | 532004900 | ELBOW FITTING OF BURNER VENTURI R |
| 005 | | 533069100 | BY PASS COCK §60 20S |
| 005 | | 533101100 | BURNER VENTURI R |
| 005 | | 533075500 | BURNER VENTURI 5,5KW S70 USA |
| 005 | | 533103400 | AIR ADJUSTMENT BUSHING D20 EST.H57 |
| 005 | | 539018900 | INDEX FOR KNOB W/RED SIGN |
| 005 | | 531042900 | B.PASS §60 SAFETY COCK PC/CF 90 |
| 005 | | 539054200 | STAMP Ø20,5 CR."L" LOTUS R. |
| 005 | | 539062800 | RED STICKING DISK 72 |
| 005 | | 539062900 | RED STICKING DISK 72 USA |
| 005 | | 533091400 | P.NOZZLE S100 UG.§20 PC90 LPG-FLUS |
| 005 | | 533091500 | PILOT NOZZLE S.100 §30 PC90 NAT.GAS |
| 005 | | 533091000 | NOZZLE 0.100 §20 |
| 005 | | 533091200 | PILOT NOZZLE 0100 Ø35 PIL.PC |
| 005 | | 533091300 | PILOT NOZZLE 0100 Ø40 PIL.PC |
| 005 | | 533043900 | NOZZLE §115 CH12*14 F-CW4 |
| 005 | | 533019300 | NOZZLE §100 G-FQ5 F-CW |
| 005 | | 533031000 | NOZZLE §175 CH12X14 |
| 005 | | 533043500 | NOZZLE §190 CH12*14 G25 PC4R |
| 005 | | 533019400 | NOZZLE §180 CH12*14 L-FQ5 |
| 005 | | 533043200 | NOZZLE §110 G30 (LPG) CH12X14 |
| 005 | | 533043100 | NOZZLE §185 G25 CH12X14 |
| 006 | | 533010800 | TUBE NUT D.10 M16*1,5 |
| 006 | | 533039300 | BICONE §10 |
| 006 | | 533052301 | JOINT FOR NOZZLE HOLDER |
| 006 | | 532004700 | BURNER COVER RING UR D128 |
| 006 | | 533010900 | NUT M14*1 H.4 |
| 006 | | 533018500 | FITTING FOR BICONE D.6 M10*1 |
| 006 | | 533039100 | BICONE §6 |
| 006 | | 532004400 | BIG BURNER BODY 70LINE P. |
| 006 | | 533103500 | AIR ADJUSTMENT BUSHING D22 EST.H57 |
| 006 | | 533101200 | BURNER VENTURI UR |
| 006 | | 533075600 | BURNER VENTURI 7,5KW S70 USA |
| 006 | | 532005000 | ELBOW FITTING OF BURNER VENTURI UR |
| 006 | | 533045700 | THERMOCOUPLE M9*1 500 |
| 006 | | 533038800 | 75 BY-PASS FOR 21S TAP |
| 006 | | 539018900 | INDEX FOR KNOB W/RED SIGN |
| 006 | | 531032000 | GAS COCK P.V.BY-PASS Ø075 |
| 006 | | 536034500 | KNOB §77 4P. §08*6,5 |
| 006 | | 539054200 | STAMP Ø20,5 CR."L" LOTUS R. |
| 006 | | 539062800 | RED STICKING DISK 72 |
| 006 | | 539062900 | RED STICKING DISK 72 USA |
| 006 | | 533091400 | P.NOZZLE S100 UG.§20 PC90 LPG-FLUS |
| 006 | | 533091500 | PILOT NOZZLE S.100 §30 PC90 NAT.GAS |
| 006 | | 533091000 | NOZZLE 0.100 §20 |
| 006 | | 533091200 | PILOT NOZZLE 0100 Ø35 PIL.PC |
| 006 | | 533091300 | PILOT NOZZLE 0100 Ø40 PIL.PC |

| Page | Pos | Code | Description |
|------|-----|-----------|-------------------------------------|
| 006 | | 533014800 | NOZZLE §135 CH12*14,0 |
| 006 | | 533043400 | NOZZLE §117 CH12*14 G-PC4 UR |
| 006 | | 533055000 | NOZZLE §205 CH12*14 G25 CW4 |
| 006 | | 533014500 | NOZZLE §225 CH12*14 OVEN GN 2/1 |
| 006 | | 533055100 | NOZZLE §215 CH12*14 L-CW4 |
| 006 | | 533120100 | NOZZLE §210 CH12*14,0 |
| 006 | | 533015200 | NOZZLE §145 CH12*14 F-FP/CP6 |
| 006 | | 533056300 | NOZZLE §240 CH12*14 |
| 007 | | 531003300 | TP-PLATE LIFTING HOOK |
| 007 | | 544399100 | PLATE RING FOR TP-74G TP-94G |
| 007 | | 544426600 | PLATE RING FOR TP-98G |
| 007 | | 541146100 | PLATE TP-74G |
| 007 | | 541109701 | UPPER PLATE TP-78G |
| 007 | | 546015200 | SQUARE BRAID 12*12*L=1495 |
| 007 | | 546000901 | SQUARE BRAID OF INSULATING MATERIAL |
| 007 | | 531044200 | CIRCULAR BURNER TP D.066 |
| 007 | | 531033100 | BURNER TP.-78G |
| 008 | | 533018500 | FITTING FOR BICONE D.6 M10*1 |
| 008 | | 533039100 | BICONE §6 |
| 008 | | 539018900 | INDEX FOR KNOB W/RED SIGN |
| 008 | | 533069600 | BY PASS COCK §130 20S-21S |
| 008 | | 531032100 | GAS COCK 21S P.V.BY-PASS Ø100 |
| 008 | | 531025500 | GAS COCK 21S P.V.BY-PASS Ø130 |
| 008 | | 533039300 | BICONE §10 |
| 008 | | 533010800 | TUBE NUT D.10 M16*1,5 |
| 008 | | 536034500 | KNOB §77 4P. §08*6,5 |
| 008 | | 539054200 | STAMP Ø20,5 CR."L" LOTUS R. |
| 008 | | 539062800 | RED STICKING DISK 72 |
| 008 | | 533010900 | NUT M14*1 H.4 |
| 008 | | 533052301 | JOINT FOR NOZZLE HOLDER |
| 008 | | 537002800 | PIEZOELECTRIC IGNITION M18 WITH NUT |
| 008 | | 533023600 | TAP PLUG §10 M16*1, 5CH19 |
| 008 | | 533023200 | TARGET PILOT + NIPPLE TC BRAC.90° |
| 008 | | 533085200 | SPACER FOR PILOT PLUG |
| 008 | | 537008300 | ROUND PLUG §2,4- LONG ELECTRODE |
| 008 | | 533045700 | THERMOCOUPLE M9*1 500 |
| 008 | | 533039400 | THERMOCOUPLE M9*1*850 |
| 008 | | 533023300 | BICONE §6 ("TARGET" PILOT |
| 008 | | 533018600 | PLUG FITTING |
| 008 | | 547003200 | HIGH-VOLTAGE CABLE TUBE.§2 L=500 |
| 008 | | 533020500 | NOZZLE 0.140 §19 |
| 008 | | 533020600 | NOZZLE 0.140 §27 |
| 008 | | 533057700 | NOZZLE §130A CH12*30 F-BRF74 |
| 008 | | 533057600 | NOZZLE §115A CH12*30 G-BRF74 |
| 008 | | 533047400 | NOZZLE §195 CH12*30 M-BM8 |
| 008 | | 533047300 | NOZZLE §215 CH12*30 L-BM8 |
| 008 | | 533046400 | NOZZLE §185 CH12*30 G-CPM |
| 008 | | 533019600 | NOZZLE §165 CH12*30 MH-FT5 H-FT6 |
| 008 | | 533046200 | NOZZLE §150 CH12X30 L-BR TP |
| 008 | | 533057500 | NOZZLE §260 CH12X30 |
| 008 | | 533032801 | NOZZLE §280 CH12*30 M-CPM |

| Page | Pos | Code | Description |
|-------------|------------|-------------|----------------------------|
| 008 | | 533032001 | NOZZLE §270 CH12*30 MH-CPM |
| 008 | | 533109300 | NOZZLE CH12X30,0 Ø245 |