



**SPARE PARTS LIST
CATALOGO RICAMBI
CATALOGUES PIÈCES DÉTACHÉES
ERSATZTEILENKATALOG**

BUL 20

BUL 30

BUL 40

BUL 65

BUL 90

R 134 A

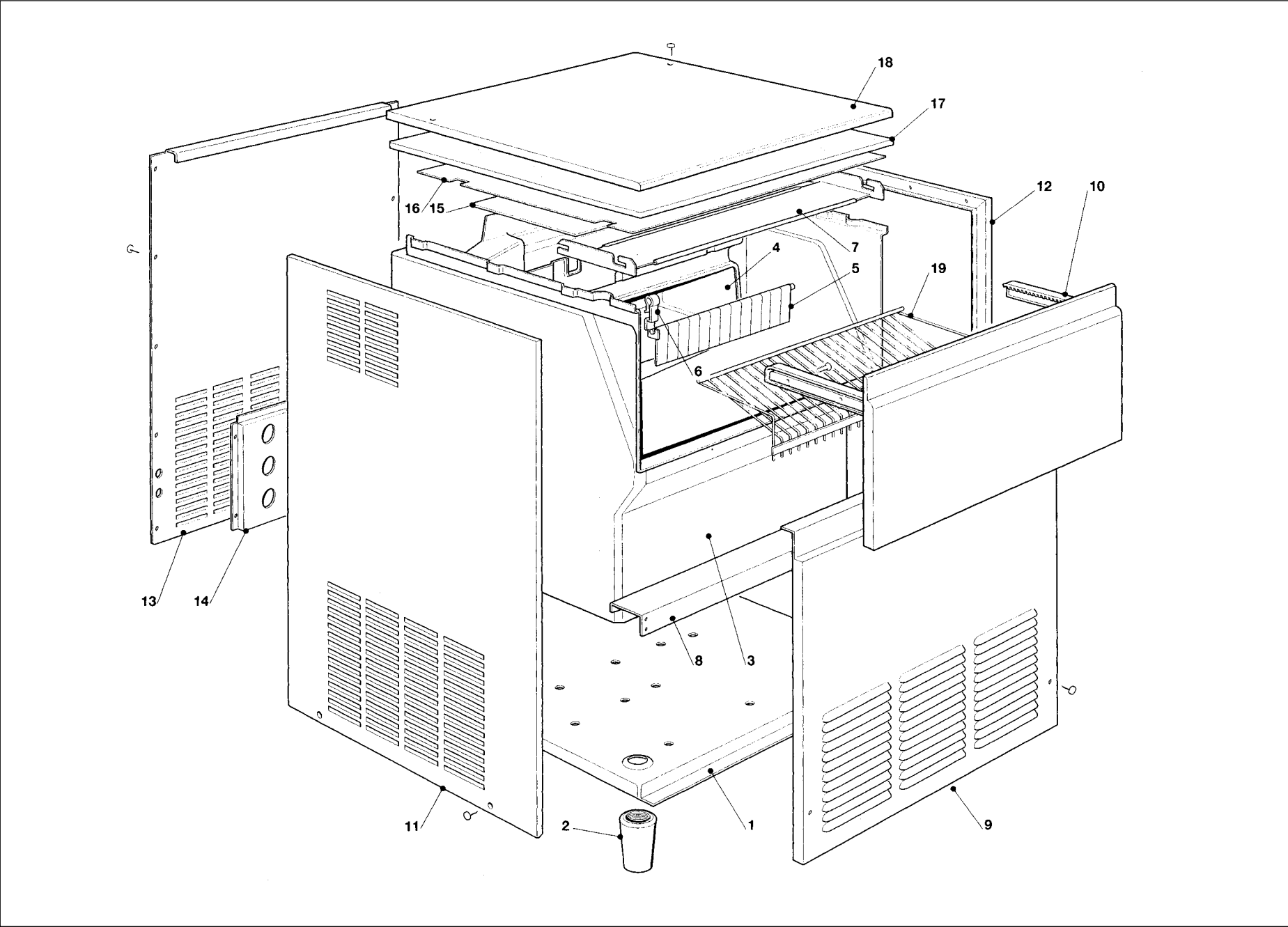
Electronic cubers

**Fabbricatori elettronici di ghiaccio
a cubetti**

Machines á glaçons électroniques

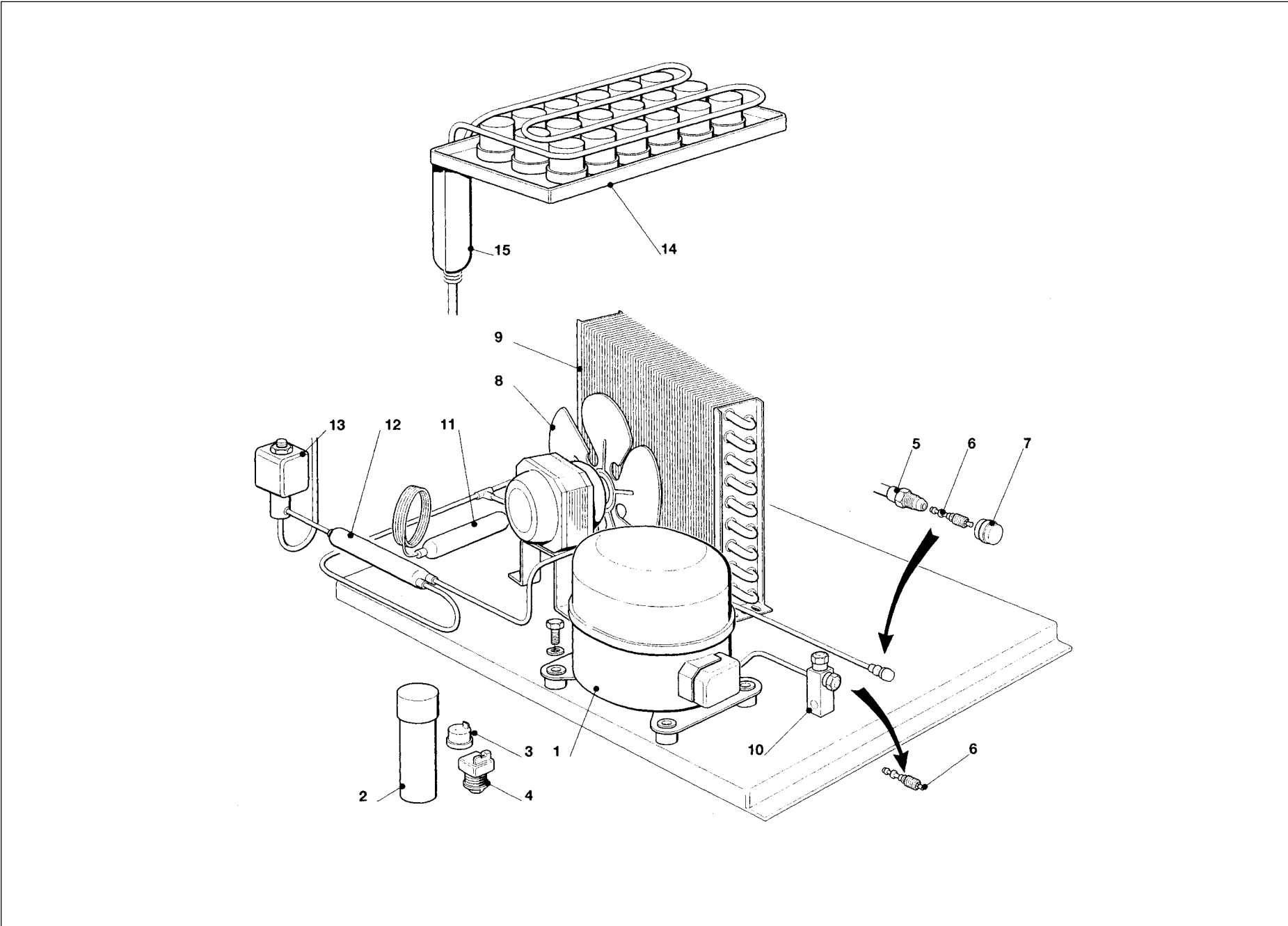
Elektronische Kegeleisbereiter

PAGE PAGINA PAGE SEITE	TABLE OF CONTENTS	INDICE	TABLE DES MATIÈRES	INHALTVERZEICHNIS
1	TABLE OF CONTENTS	INDICE	TABLE DES MATIERES	INHALTVERZEICHNIS
2-3	UNIT PANELS - BUL 20	ASSIEME MOBILE - BUL 20	ENS. CARROSSERIE - BUL 20	MACHINE GEHAUSE - BUL 20
4-5	UNIT PANELS - BUL 30	ASSIEME MOBILE - BUL 30	ENS. CARROSSERIE - BUL 30	MACHINE GEHAUSE - BUL 30
6-7	UNIT PANELS - BUL 40	ASSIEME MOBILE - BUL 40	ENS. CARROSSERIE - BUL 40	MACHINE GEHAUSE - BUL 40
8-9	UNIT PANELS - BUL 65-90	ASSIEME MOBILE - BUL 65-90	ENS. CARROSSERIE - BUL 65-90	MACHINE GEHAUSE - BUL 65-90
10-11	REFRIGERANT SYSTEM AIR COOLED - BUL 20-30-40	SISTEMA REFRIGERANTE RAFFR. AD ARIA - BUL 20-30-40	CIRCUIT FRIGORIFIQUE REFROID. A AIR - BUL 20-30-40	GEFRIERSYSTEM LUFTGEKUEHLT - BUL 20-30-40
12-13	REFRIGERANT SYSTEM AIR COOLED - BUL 65-90	SISTEMA REFRIGERANTE RAFFR. AD ARIA - BUL 65-90	CIRCUIT FRIGORIFIQUE REFROID. A AIR - BUL 65-90	GEFRIERSYSTEM LUFTGEKUEHLT - BUL 65-90
14-15	REFRIGERANT SYSTEM WATER COOLED - BUL 20-30-40	SISTEMA REFRIGERANTE RAFFR. AD ACQUA - BUL 20-30-40	CIRCUIT FRIGORIFIQUE REFROID. A EAU - BUL 20-30-40	GEFRIERSYSTEM WASSERGEKUEHLT - BUL 20-30-40
16-17	REFRIGERANT SYSTEM WATER COOLED - BUL 65-90	SISTEMA REFRIGERANTE RAFFR. AD ACQUA - BUL 65-90	CIRCUIT FRIGORIFIQUE REFROID. A EAU - BUL 65-90	GEFRIERSYSTEM WASSERGEKUEHLT - BUL 65-90
18-19	WATER SYSTEM - BUL 20	CIRCUITO IDRAULICO - BUL 20	CIRCUIT HYDRAULIQUE - BUL 20	WASSER SYSTEM - BUL 20
20-21	WATER SYSTEM - BUL 30	CIRCUITO IDRAULICO - BUL 30	CIRCUIT HYDRAULIQUE - BUL 30	WASSER SYSTEM - BUL 30
22-23	WATER SYSTEM - BUL 40	CIRCUITO IDRAULICO - BUL 40	CIRCUIT HYDRAULIQUE - BUL 40	WASSER SYSTEM - BUL 40
24-25	WATER SYSTEM - BUL 65-90	CIRCUITO IDRAULICO - BUL 65-90	CIRCUIT HYDRAULIQUE - BUL 65-90	WASSER SYSTEM - BUL 65-90
26-27	P.C. BOARD AND SENSOR ASSY - BUL 20-30	SCHEDA ELETTRONICA E SENSORI - BUL 20-30	ENS. CARTE ELECTRONIQUE ET DETECTEURS - BUL 20-30	ELEKTRONISCHE KARTE UND TEMPERRATURFUEHLERENHEIT - BUL 20-30
28-29	P.C. BOARD AND SENSOR ASSY - BUL 40-65-90	SCHEDA ELETTRONICA E SENSORI - BUL 40-65-90	ENS. CARTE ELECTRONIQUE ET DETECTEURS - BUL 40-65-90	ELEKTRONISCHE KARTE UND TEMPERRATUR- FUEHLERENHEIT - BUL 40-65-90



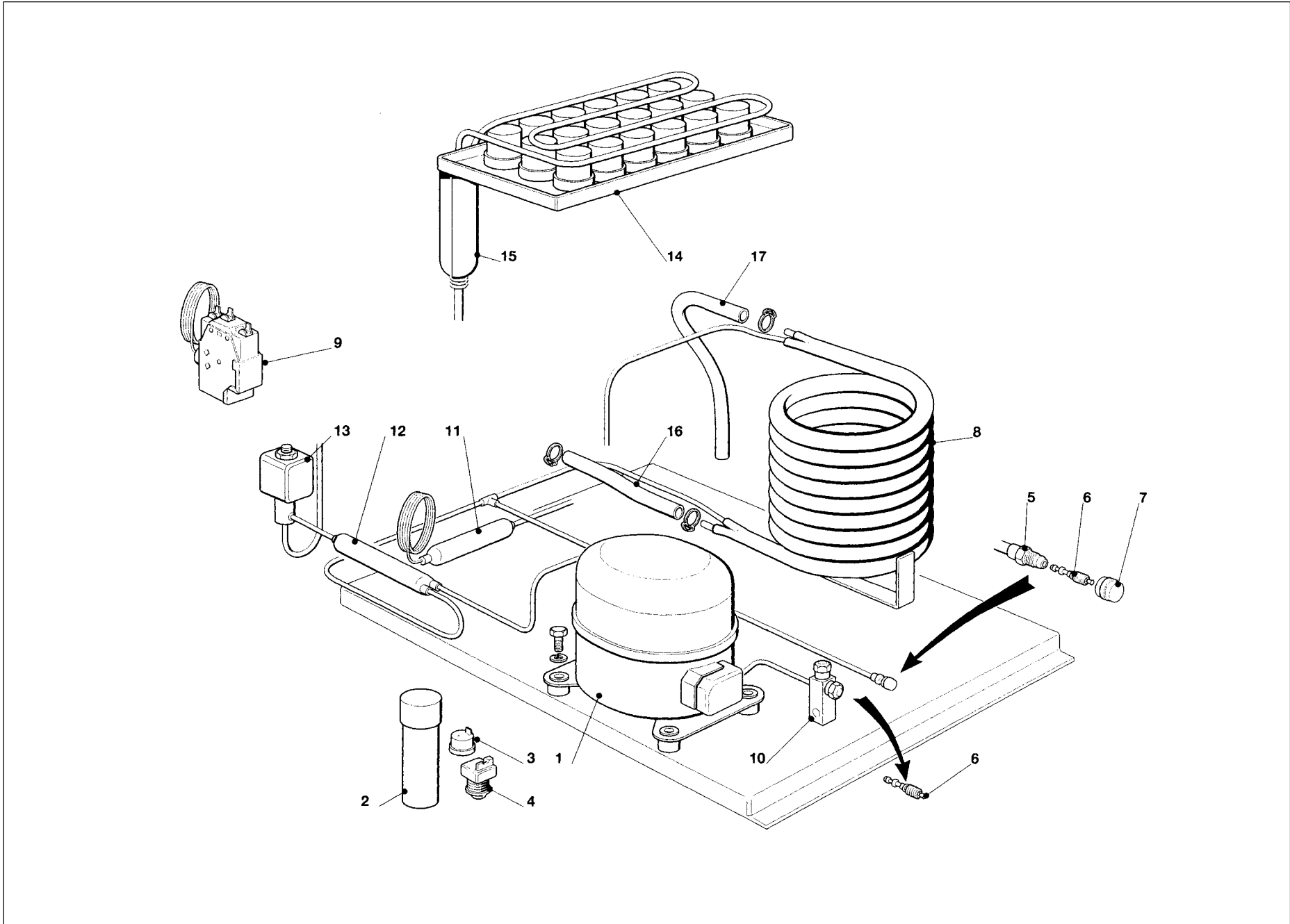
BUL 40 - UNIT PANELS - ASSIEME MOBILE - ENS. CARROSSERIE - MACHINE GEHAUSE

ITEM NO POS NO REP. NO REF. NO	PART NO CODICE REFERENCE TUECK NR	DESCRIPTION	DESCRIZIONE	DESIGNATION	BESCHREIBUNG
1	781406 01 R	UNIT BASE	BASAMENTO	BASEMENT	CHASSIS RAHMEN
2	660638 00	LEGS	PIEDINI	PIEDS	FUESSE
3	782086 04 R	INSULATED STORAGE BIN	CELLA ISOLATA	CABINE STOCKAGE ISOLEE	ISOLIEREISSPEICHER
4	792010 00 R	EVAPORATOR HOUSING	INVOLUCRO EVAPORATORE	CUVE ÉVAPORATEUR	VERDAMPFER GEHÄUSE
5	784457 00 R	CURTAIN ASSY	ASSIEME TENDINA	ENSAMBLE RIDEAU	JALOUSIE
6	660388 00	CURTAIN BRACKET LEFT	SUPPORTO TENDINA SX	SUPPORT RIDEAU GAUCHE	JALOUSIETRAEGER - LINKE
7	721679 01	METAL PLATE	DISTANZIALE IN ACC. INOX	PLAQUE EN ACIER INOX	METALLPLATTE
8	702128 01	METAL BRACKET	SUPPORTO IN METALLO	SUPPORT	METALLTRÄGER
9	721673 00	FRONT PANEL	PANNELLO FRONTALE	PANNEAU AVANT	VORDERWAND
10	782091 00 R 660616 00	BIN DOOR ASSY DOOR RACK	ASSIEME SPORTELLO CREMAGLIERA	ENSAMBLE PORTE CABINE CREMAILLIERE	SPEICHERTUER ZAHNSTANGE
11	721637 00	LEFT SIDE PANEL	PANNELLO SX	PANNEAU GAUCHE	LINKE SEITENWAND
12	721636 00	RIGHT SIDE PANEL	PANNELLO DX	PANNEAU DROITE	RECHTE SEITENWAND
13	702199 00	REAR PANEL	PANNELLO POSTERIORE	PANNEAU ARRIERE	RUECKWAND
14	702180 00	METAL BRACKET FOR FITTINGS	SUPPORTO ATTACCHI	SUPPORT DE RACCORDS	METALLTRAEGER
15	784378 04 R	EVAPORATOR PLASTIC COVER	COPERCHIO IN PLASTICA	COUVERCLE ÉVAPORATEUR	VERDAMPFER DECKEL
16-17	784378 12 R	STORAGE BIN COVER	COPERCHIO CONTENITORE	COUVERCLE BAC DE STOCKKE	SPEICHERFDECKEL
18	702114 00	TOP PANEL	PANNELLO SUPERIORE	PANNEAU SUPERIEURE	ABDECKHAUBE
19	650688 00	ICE DEFLECTOR	GRIGLIA SCORRIMENTO CUBETTI	GRILLE GLISSEMENT GLAÇONS	ABGLEITGRILL
*	660528 00	PLASTIC PLUG - RIGHT	TAPPO IN PLASTICA - DX	CAPUCHON EN PLASTIQUE - DROITE	PLASTIKPROPFEN - RECHT
*	660528 01	PLASTIC PLUG - LEFT	TAPPO IN PLASTICA - SX	CAPUCHON EN PLASTIQUE - GAUCHE	PLASTIKPROPFEN - LINK
		* NOT SHOWN	* NON MOSTRATO	* PAS MONTRÉ	* NIGHT ABGEBILDET



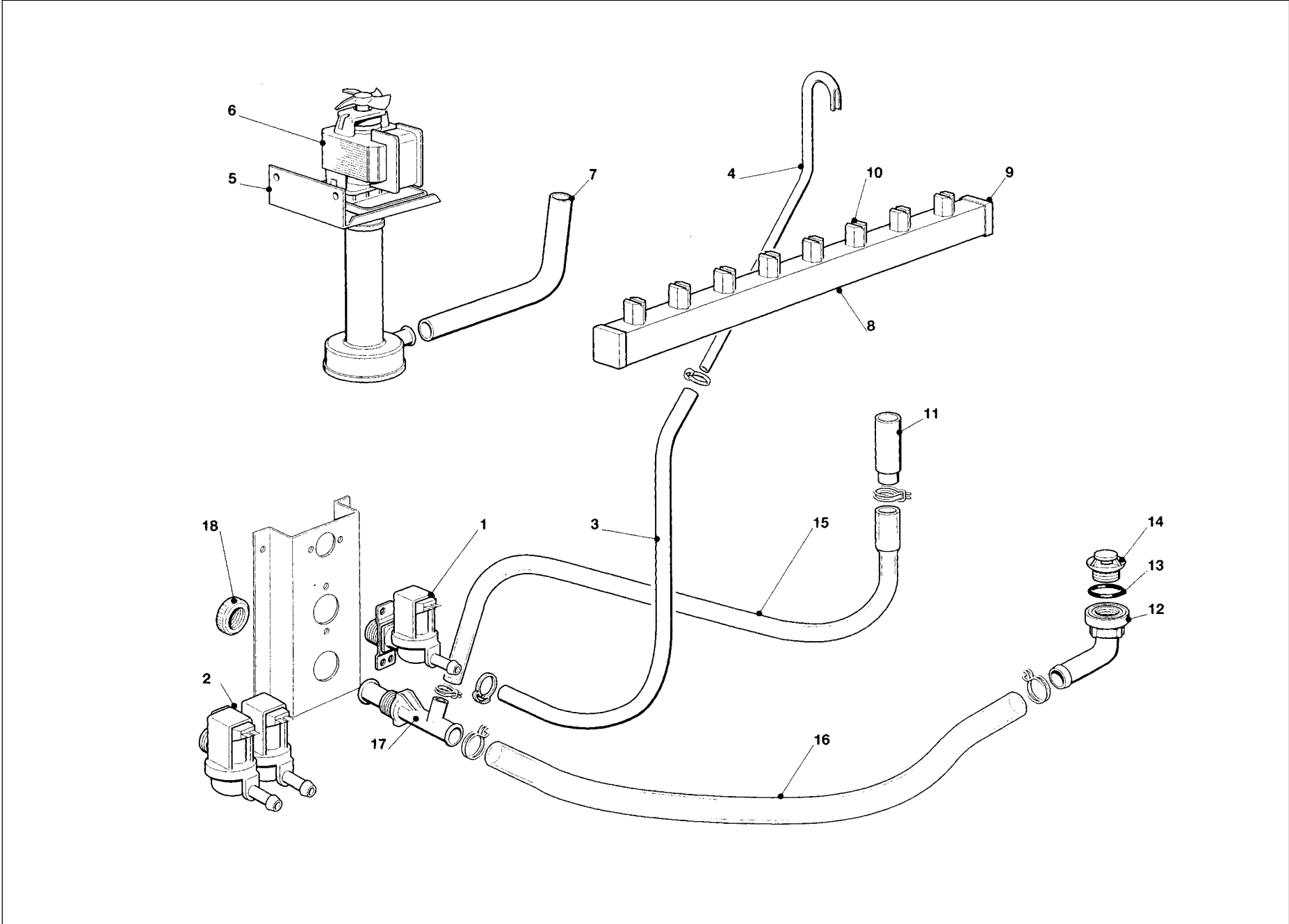
**BUL 20 - BUL 30 - BUL 40 - REFRIGERANT SYSTEM AIR COOLED - SISTEMA REFRIGERANTE RAFFR. AD ARIA
CIRCUIT FRIGORIFIQUE REFROID. PAR AIR - LUFTGEKÜHLT GEFRIERSYSTEM**

ITEM NO POS NO REP. NO REF. NO	PART NO CODICE REFERENCE TUECK NR			DESCRIPTION	DESCRIZIONE	DESIGNATION	BESCHREIBUNG
	BUL 20	BUL 30	BUL 40				
1	670097 08	670100 00	670101 00	COMPRESSOR ASSY	ASSIEME COMPRESSORE	ENSAMBLE COMPRESSEUR	KOMPRESSOR
2	620167 29	620167 29	620167 01	START CAPACITOR	CONDENSATORE D'AVVIAMENTO	CAPACITE DE DEMARRAGE	START KONDENSATOR
3	620058 65	620058 69	620058 77	PROTECTOR	PROTETTORE	PROTECTEUR	SCHUTZGERAT
4	620057 35	620057 31	620057 42	RELAY	RELE	RELAIS	RELAIS
5	650109 00	650109 00	650109 00	VALVE BODY	CORPO VALVOLA	CORPS DE VANNE	VENTILGEHAUSE
6	670012 00	670012 00	670012 00	VALVE PISTON	PISTONCINO VALVOLA	PISTON	VENTILKOLBEN
7	650106 00	650106 00	650106 00	VALVE CAP	CAPPUCCIO VALVOLA	CAPUCHON DE VANNE	VENTILKLAPPE
8	620419 02 620419 32	620419 02 620419 32	620419 02 620419 33	FAN MOTOR FAN BLADE	MOTORE VENTILATORE VENTOLA	MOTEUR DU VENTILATEUR HELICE	LUFTER MOTOR FLUEGEL
9	620276 02	620420 00	620439 00	AIR COOLED CONDENSER	CONDENSATORE AD ARIA	CONDENSEUR A AIR	LUFT KONDENSATOR
10	650694 00	650694 00	650694 00	SUCTION SERVICE VALVE	RUBINETTO DI CARICA	ROBINET DE SERVICE	VENTILKÄLTEMITTEL
11	630003 05	630003 05	630005 05	DRIER	FILTRO DEUMIDIFICATORE	FILTRE DESHYDRATEUR	TROCKNER
12	630007 01	630007 01	630020 01	MECHANICAL FILTER	FILTRO MECCANICO	FILTRE MECANIQUE	MECHANISCHFILTERN
13	620306 22 620306 48	630306 27 620306 48	620306 27 620306 48	HOT GAS VALVE BODY HOT GAS VALVE COIL	CORPO VALVOLA GAS CALDO BOBINA VALVOLA GAS CALDO	CORP VANNE GAZ CHAUD BOBINE VANNE GAZ CHAUD	HEISSGAZ VENTIL GEHAUSE HEISSGAZ VENTIL SPULE
14	784195 06	784415 01	784415 00	EVAPORATOR ASSY	ASSIEME EVAPORATORE	ENSAMBLE EVAPORATEUR	VERDAMPFER
15	784444 00	784444 01	784444 04	SUCTION LINE/ACCUMULATOR	ACCUMUL. E LINEA ASPIRAZIONE	ENS. ASPIRATION/ACCUMULATEUR	SAMMLER UND SAUGLEITUNGEN



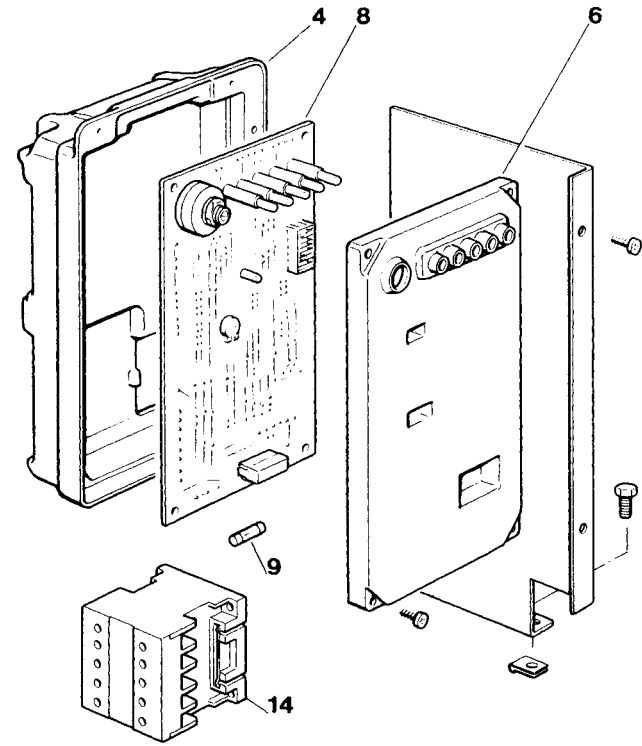
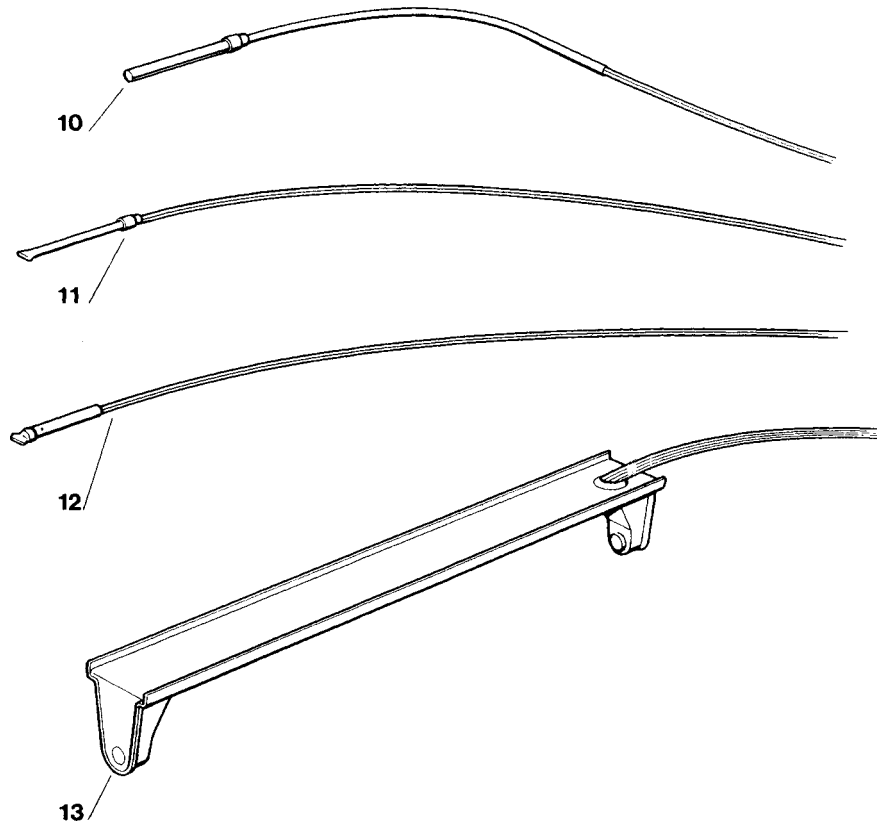
**BUL 20 - BUL 30 - BUL 40 - REFRIGERANT SYSTEM WATER COOLED - SISTEMA REFRIGERANTE RAFFR. AD ACQUA
CIRCUIT FRIGORIFIQUE REFROID. PAR EAU - WASSERGEKÜHLT GEFRIERSYSTEM**

ITEM NO POS NO REP. NO REF. NO	PART NO CODICE REFERENCE TUECK NR			DESCRIPTION	DESCRIZIONE	DESIGNATION	BESCHREIBUNG
	BUL 20	BUL 30	BUL 40				
1	670097 08	670100 00	670101 00	COMPRESSOR ASSY	ASSIEME COMPRESSORE	ENSAMBLE COMPRESSEUR	KOMPRESSOR
2	620167 29	620167 29	620167 01	START CAPACITOR	CONDENSATORE D'AVVIAMENTO	CAPACITE DE DEMARRAGE	START KONDENSATOR
3	620058 65	620058 69	620058 77	PROTECTOR	PROTETTORE	PROTECTEUR	SCHUTZGERAT
4	620057 35	620057 31	620057 42	RELAY	RELE	RELAIS	RELAIS
5	650109 00	650109 00	650109 00	VALVE BODY	CORPO VALVOLA	CORPS DE VANNE	VENTILGEHAUSE
6	670012 00	670012 00	670012 00	VALVE PISTON	PISTONCINO VALVOLA	PISTON	VENTILKOLBEN
7	650106 00	650106 00	650106 00	VALVE CAP	CAPPUCCIO VALVOLA	CAPUCHON DE VANNE	VENTILKLAPPE
8	620389 00	620389 00	620389 00	WATER COOLED CONDENSER	CONDENSATORE AD ACQUA	CONDENSEUR A EAU	WASSER KONDENSATOR
9	620075 00	620075 00	620075 00	PRESSURE CONTROL	PRESSOSTATO	PRESSOSTAT	PRESSOSTAT
10	650694 00	650694 00	650694 00	SUCTION SERVICE VALVE	RUBINETTO DI CARICA	ROBINET DE SERVICE	VENTILKÄLTEMITTEL
11	630003 05	630003 05	630003 05	DRIER	FILTRO DEUMIDIFICATORE	FILTRE DESHYDRATEUR	TROCKNER
12	630007 01	630007 01	630020 01	MECHANICAL FILTER	FILTRO MECCANICO	FILTRE MECANIQUE	MECHANISCHFILTERN
13	620306 22 620306 48	630306 27 620306 48	620306 27 620306 48	HOT GAS VALVE BODY HOT GAS VALVE COIL	CORPO VALVOLA GAS CALDO BOBINA VALVOLA GAS CALDO	CORP VANNE GAZ CHAUD BOBINE VANNE GAZ CHAUD	HEISSGAZ VENTIL GEHAUSE HEISSGAZ VENTIL SPULE
14	784195 06	784415 01	784415 00	EVAPORATOR ASSY	ASSIEME EVAPORATORE	ENSAMBLE EVAPORATEUR	VERDAMPFER
15	784444 00	784444 01	784444 04	SUCTION LINE/ACCUMULATOR	ACCUMUL. E LINEA ASPIRAZIONE	ENS. ASPIRATION/ACCUMULATEUR	SAMMLER UND SAUGLEITUNGEN
16	281900 01	281900 01	281900 01	PLASTIC TUBE-PER METER	TUBO IN PLASTICA-PER METRO	TUYAU EN PLASTIQUE-POUR METER	PLASTIK ROHR-PRO METER
17	281900 01	281900 01	281900 01	PLASTIC TUBE-PER METER	TUBO IN PLASTICA-PER METRO	TUYAU EN PLASTIQUE-POUR METER	PLASTIK ROHR-PRO METER



BUL 40 - WATER SYSTEM - CIRCUITO IDRAULICO - CIRCUIT HYDRAULIQUE - WASSERSYSTEM

ITEM NO POS NO REP. NO REF. NO	PART NO CODICE REFERENCE TUECK NR	DESCRIPTION	DESCRIZIONE	DESIGNATION	BESCHREIBUNG
1	650105 50	WATER INLET VALVE - AIR COOLED	VALVOLA INGR. ACQUA - RAFF. ARIA	VANNE ARRIVEE EAU - REFR. AIR	WASSEREINLAUFVENTIL - LUFTGEKÜHLT
2	650105 51	WATER INLET VALVE - WATER COOLED	VALVOLA INGR. ACQUA - RAFF. ACQUA	VANNE ARRIVEE EAU - REFR. EAU	WASSEREINLAUFVENTIL - WASSERGEKÜHLT
3	281900 01	WATER INLET TUBE-PER METER	TUBO INGRESSO ACQUA-PER METRO	TUYAU ARRIVEE EAU-POUR METRE	WASSEREINLAUFROHR-PRO METER
4	NO NBR	COPPER TUBE	TUBO RAME	TUYAU EN CUIVRE	COPPERHOR
5	NO NBR	METAL BRACKET	SUPPORTO IN METALLO	SUPPORT METALLIQUE	METALLTRAEGER
6	620433 00	WATER PUMP ASSY	ASSIEME POMPA	ENSAMBLE POMPE A EAU	WASSER PUMPE
7	610147 00	WATER TUBE - PUMP TO SPRAY SYSTEM	TUBO MANDATA POMPA	TUYAU POMPE PLAQUE D'ARROSAGE	SCHLAUCH PUMPE - SPRUHSYSTEME
8	650665 12	WATER DISTRIBUTOR TUBE	TUBO DISTRIBUTORE ACQUA	TUYAU DISTRIBUTERUR EAU	WASSERVERTEILERROHR
9	660557 00	SPRAY PLUG	TAPPO	BOUCHON RAMPE	STOPFEN
10	660558 00	SPRAY JET	UGELLO SPRUZZATORE	BOUCHON EN PLASTIQUE GICLEUR	SPÜHDÜSEN
11	660601 00	OVERFLOW STAND PIPE	TUBO TROPPO PIENO	TROP PLEIN	UEBERLAUFROHR
12	660219 01	DRAIN T FITTING	RACCORDO DI SCARICO	RACCORD T D'EVACUATION	T STÜCK
13	640134 00	O RING	GUARNIZIONE O R	JOINT TORIQUE	SIMMER RING
14	660211 01	DRAIN FILTER	FILTRO SCARICO ACQUA	FILTRE EVACUATION EAU	ABFLUSSFILTER
15	610170 02	OVERFLOW DRAIN TUBE	TUBO SCARICO TROPPO PIENO	TUYAU EVAPORATION T.P.	ABFLUSSROHR
16	610148 10	DRAIN TUBE	TUBO SCARICO	TUYAU EVACUATION	ABFLUSSROHR
17	660224 00	DRAIN T FITTING	RACCORDO DI SCARICO	RACCORD T D'EVACUATION	T STÜCK
18	660535 00	PLASTIC RING NUT	GHIERA IN PLASTICA	COLLIER DE SERRAGE EN PLASTIQUE	PLASTIKRING MUTTER



BUL 40 - BUL 65 - BUL 90 - P.C. BOARD AND SENSOR ASSY - SCHEDA ELETTRONICA E SENSORI
ENS. CARTE ELECTRONIQUE ET DETECTEURS - ELEKTRONISCHE KARTE UND TEMPERATURFUEHLERENHEIT

ITEM NO POS NO REP. NO REF. NO	PART NO CODICE REFERENCE STUECK NR	DESCRIPTION	DESCRIZIONE	DESIGNATION	BESCHREIBUNG
4	660546 00	CONTROL BOX	SCATOLA ELETTRICA	BOITE ELECTRIQUE	SCHALT SCHRANK
6	660547 01	CONTROL BOX COVER	COPERCHIO SCATOLA ELETTRICA	COUVERCLE BOITE DE COMMANDE	SCHALTSCHRANK DECKEL
8	620403 18 620403 14	P. C. BOARD ASSY RECYCLED PCB	ASSIEME SCHEDA ELETTRONICA SCHEDA EL. RICICLATA	ENSAMBLE CARTE ELECTRONIQUE CARTE ELECTR. RECYCLÉ	GEDRUCKTESCHALTUNG REGENERIERTE PLATINE
9	630015 09 630015 10	FUSE (100 mA) FUSE (16 A)	FUSIBILE (100mA) FUSIBILE (16 A)	FUSIBLE (100mA) FUSIBLE (16 A)	SCHMELZSICHERUNG (100mA) SCHMELZSICHERUNG (16 A)
10	620404 10	EVAPORATOR TEMP. SENSOR	SENSORE TEMP. EVAPORATORE	CAPTEUR TEMP. ÉVAPORATEUR	VERDAMPFERTEMPERATURFUEHLER
11	620404 01	CONDENSER TEMP. SENSOR	SENSORE TEMP. CONDENSATORE	CAPTEUR TEMP. CONDENSEUR	KONDENSATORTEMPERATURFUEHLER
12	620404 02	AMBIENT TEMP. SENSOR	SENSORE TEMP. AMBIENTE	CAPTEUR TEMP. AMBIANCE	RAUMTEMPERATURFUEHLER
13	650674 00	ICE LEVEL CONTROL ASSY	ASS. CONTR. LIVELLO GHIACCIO	ENS. DETECTEUR NIVEAU GLACE	EISNIVEAUFUEHLEREINHEIT
14	630119 02	CONTACTOR - BUL 65 - BUL 90 ONLY	TELERUTTORE SOLO BUL 65 - BUL 90	CONTACTEUR - SEUL BUL 65 - BUL 90	SCHALTSCHÜTZ - BUL 65 - BUL 90