

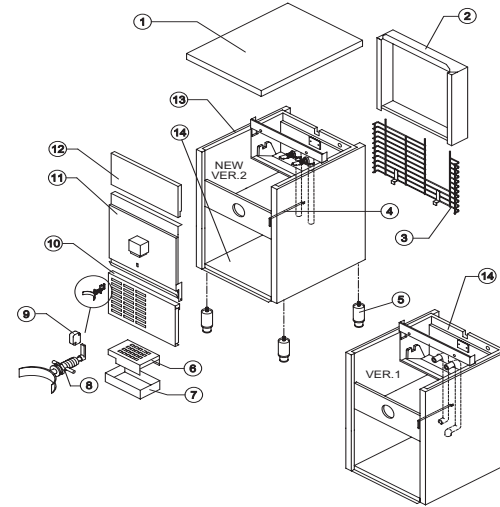


DSS 42

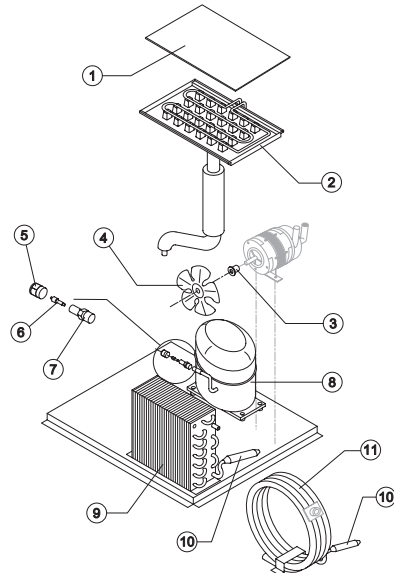
LIST OF THE EXPLODED VIEWS



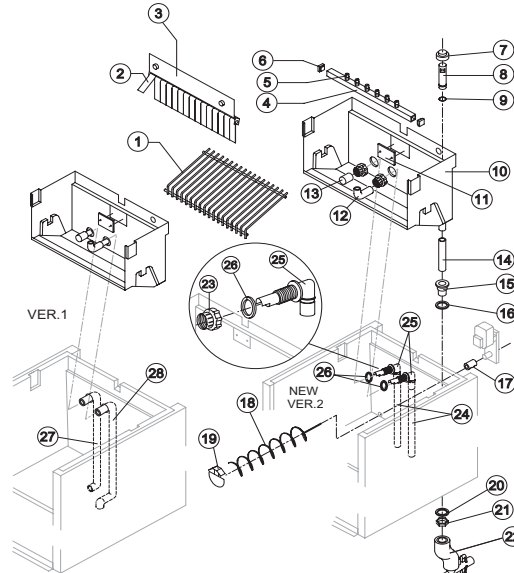
SHELL ASSY



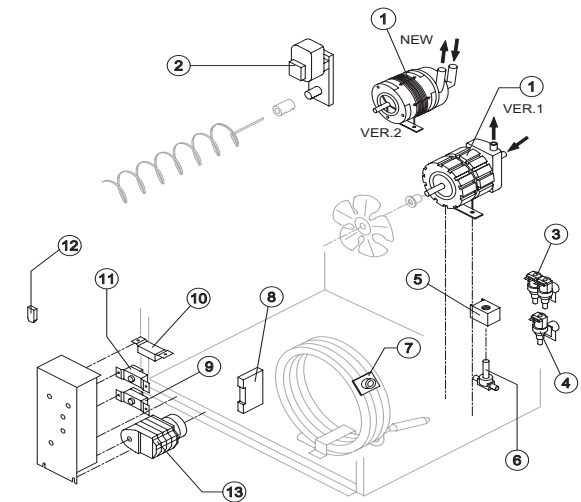
COOLING SYSTEM



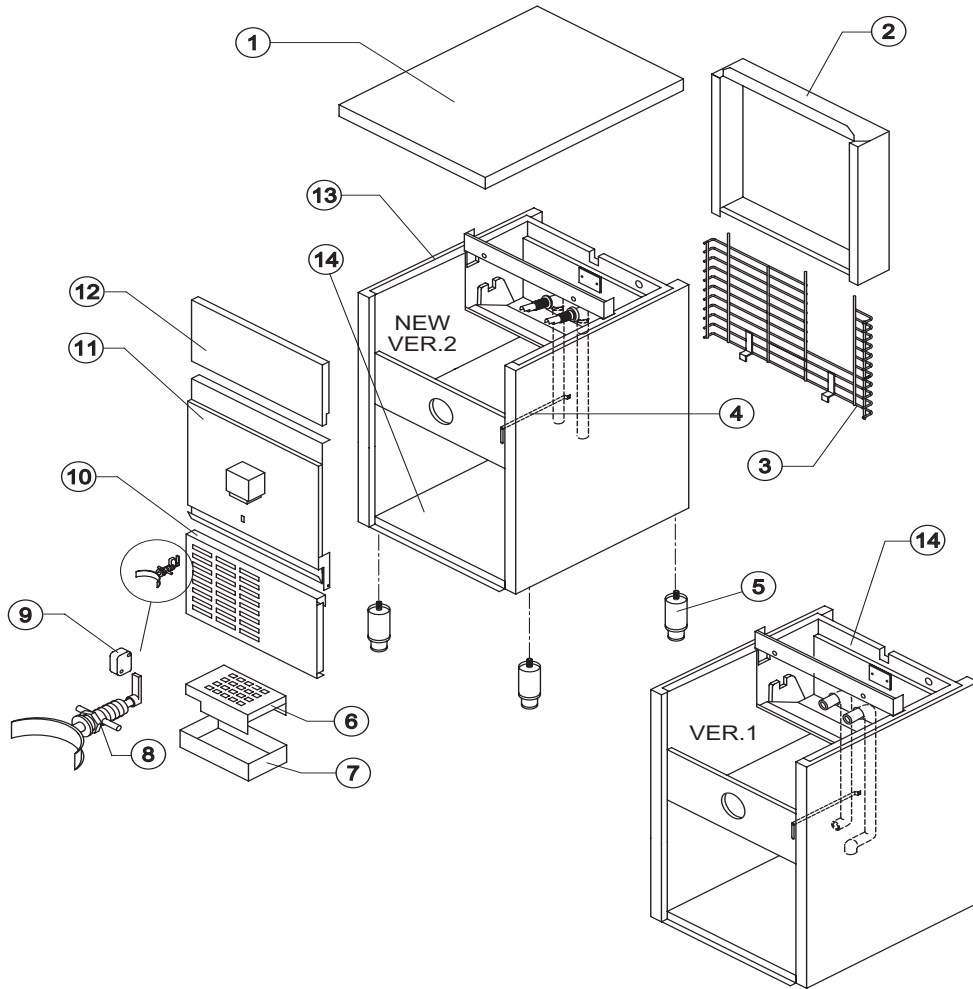
HYDRAULIC CIRCUIT



ELECTRIC PARTS



Rev. 2 - 10/2/2003

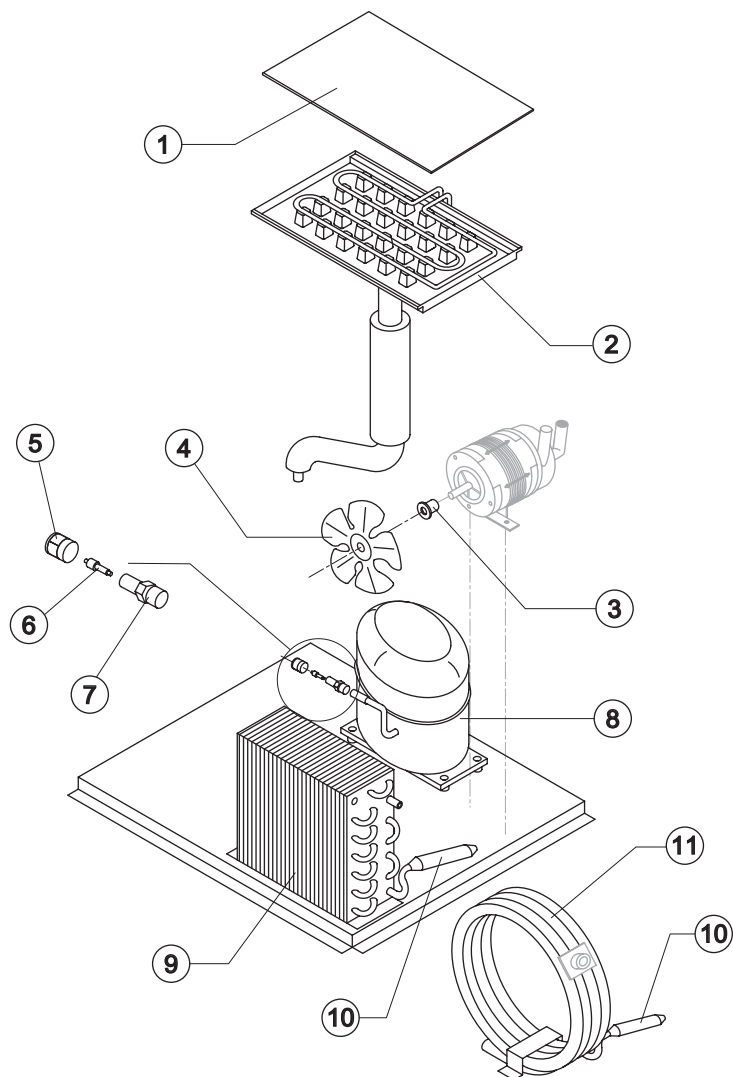


Rev. 2 - 10/2/2003

Ref.	Spare Description	Code	
1	Top Assembly	C22342	
2	Back Panel Assembly	C22346	
3	Back Grid	D12047	
4	Bulbe Thermostat Tube	Current Version	20522
4	Bulbe Thermostat Tube	Till s/n. 95200	20017
5	Stainless Steel foot Adjustable	Current version	20613
5	ABS Foot	Till s/n. 141256	10025
6	Glass Support		22350
7	Drip Tray		22349
8	Push Ice Dispenser Assembly		C26544
9	Microswitch		23055
10	Front Grid Panel		22343
11	Panel with Distributor		D22338
12	Front-Upper Panel Assembly		C22347B
13	Foamed Cabinet Assy	See Table	-
14	Base Plate	Current Version	21279
14	Base Plate	Till s/n. 141256	21013

Ref. 13 - Foamed Cabinet Assy

Code	Condensation	Note
C11051A	Air	Version 2
C11051W	Water	Version 2
C11051/E		Version 1



Common Parts

Ref.	Spare Description	Code
1	Evaporator Cover	10023
2	Evaporator	D10417
3	Hub with Washer with Screw	10014
4	Suction Impeller	10213
5	Vacuum-Charge Valve Plug	14006
6	Vacuum-Charge Valve Device	14005
7	Vacuum-Charge Valve Body	14007
8	Compressor	See Table
10	Molecular Drier	14009

Parts for Air-Cooled Version Only

Ref.	Spare Description	Code
9	Air Condenser	20019

Parts for Water-Cooled Version Only

Ref.	Spare Description	Code
11	Water Condenser	14014

Ref. 8 - Compressor

Tension	Refr. R404A	Refr. R22
220/240V 50 Hz	23437	23320
220/230V 60 Hz	23495	23344
110/115V 60 Hz	23464	-

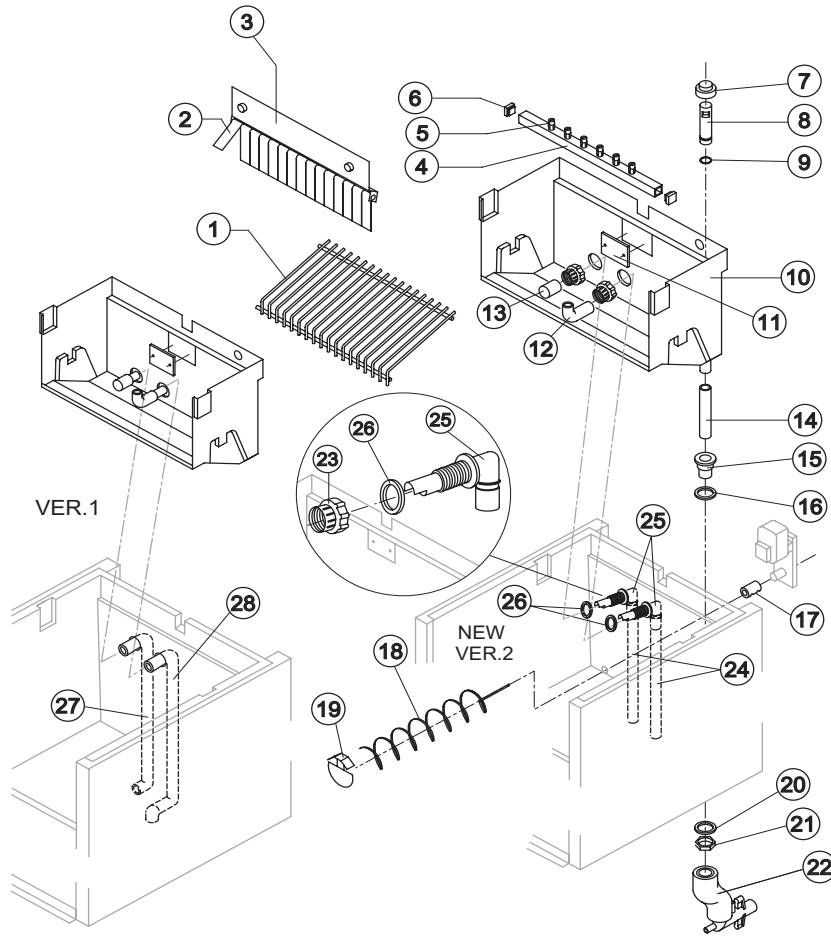


Ref. 2 - For ice makers made in version 1 ask, beside the Evaporator, also the Evaporator Support.



DSS 42

HYDRAULIC CIRCUIT



Common Parts

Ref.	Spare Description	Code	
1	Ice Cubes Slide	D12038	
2	Flag	10005	
3	Flags Support Assy	C22035	
4	Sprayers Bar Assembly	C20189	
5	Sprayer	D20002	
6	Sprayers Bar Plug	10012	
7	Overflow Cap	10305	
8	Overflow Pipe	10133	
9	OR Gasket for Overflow Pipe	20233	
10	Inner Basin	10253	
11	Slide Keep Plate	10009	
12	Sprayers Feeding Pipe	13005	
13	Pump Suction Filter	20005	
14	Overflow Pipe	Current Version	13108
14	Overflow Pipe	Till s/n. 64085	13030
15	Plastic Nipple Water Outlet	10007	
16	Silicone Gasket	13006	
17	Screw Connection Bush for Ice Cubes Transport	20280	
18	Out Way Ice Cubes Screw/Ice Cubes Transport Screw	20281	
19	Cubes Holding Plate	22402	
20	Semirigid Polyethylene Gasket	13007	
21	Bin Discharge Nut	10096	
23	Fittings Locking Ring	Version 2	10405
24	Pump Suction/Delivery Pipes	Version 2	13140
25	Fitting of the Pump Suction/Delivery Pipes	Version 2	10404
26	Gasket for Suction Line/Pump Delivery	Version 2	13143
27	Pump Suction Pipe	Version 1	13016
28	Pump Delivery Pipe	Version 1	13015

Parts for Air Cooled Version Only

Ref.	Spare Description	Code
22	Discharges Manifold	C10006

Parts for Water Cooled Version Only

Ref.	Spare Description	Code
22	Discharges Manifold	C26452

Rev. 2 - 10/2/2003



Common Parts

Ref.	Spare Description	Code
1	Pump	See Table
2	Gearmotor	See Table
5	Hot Gas Coil	See Table
6	Hot Gas Valve Body	20410
8	Electronic Timer	23560
9	Evaporator Thermostat	23591
11	Bin Thermostat	23005
13	Timer	See Table

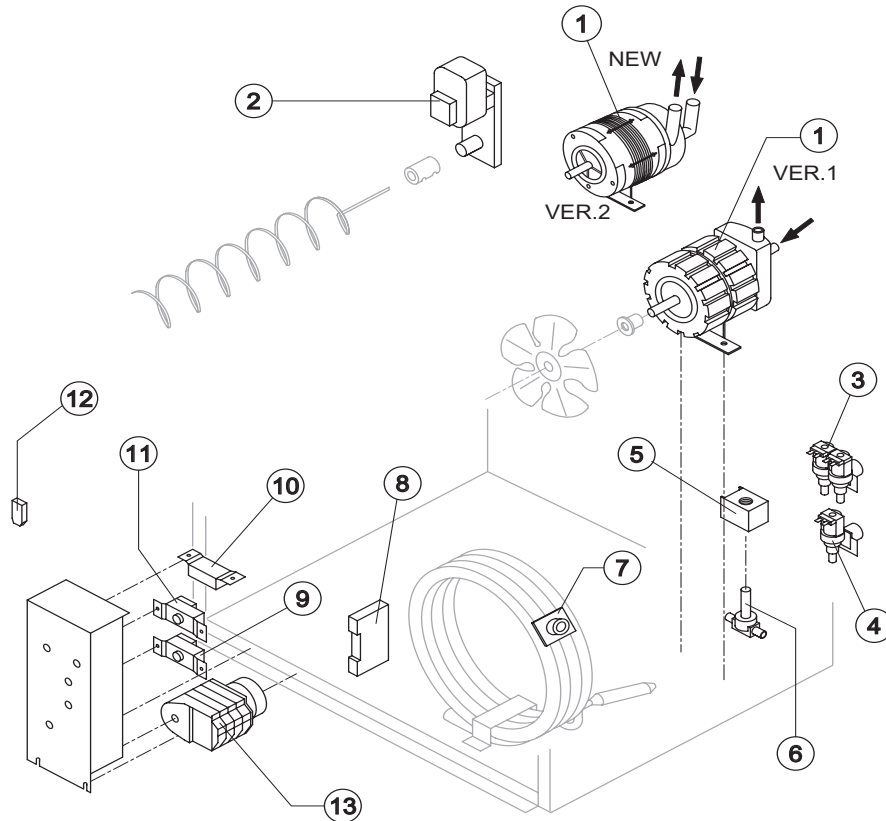
Parts for Air-Cooled Version Only

Ref.	Spare Description	Code
4	Inlet Watervlve 1 Way	See Table

Parts for Water-Cooled Version Only

Ref.	Spare Description	Code
3	Inlet Watervlve 2 Ways	See Table
7	Safety Thermostat	C23114
10	Condenser Pressure Switch	23175
12	Anti Radio Interference Filter	Only 220V 50 Hz 23457

Rev. 2 - 10/2/2003



Ref. 2 - Gearmotor

Tension	Code
220/240V 50 Hz	23310
220/230V 60 Hz	23310
110/115V 60 Hz	23614

Ref. 3 - Inlet Watervlve 2 Ways

Tension	Code
220/240V 50 Hz	23010
220/230V 60 Hz	23010
110/115V 60 Hz	23261

Ref. 1 - Pump

Tension	Version 1	Version 2
220/240V 50 Hz	23002	23377
220/230V 60 Hz	23002	23377
110/115V 60 Hz	23264	23663

Ref. 4 - Inlet Watervlve 1 Way

Tension	Code
220/240V 50 Hz	23001
220/230V 60 Hz	23001
110/115V 60 Hz	23260

Ref. 5 - Hot Gas Coil

Tension	Code
220/240V 50 Hz	23091
220/230V 60 Hz	23091
110/115V 60 Hz	23256

Ref. 13 - Timer

Tension	Code
220/240V 50 Hz	23247
220/230V 60 Hz	23247
110/115V 60 Hz	23258