

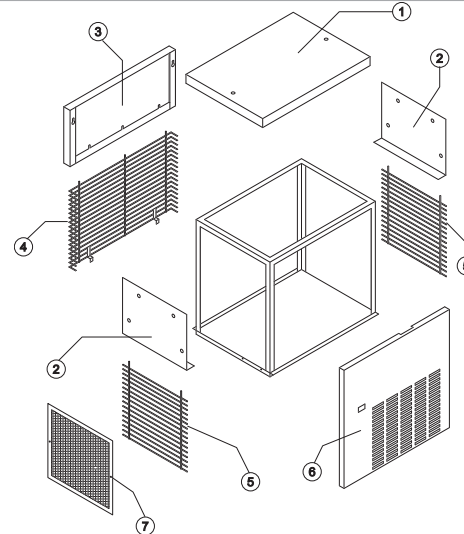


G 250

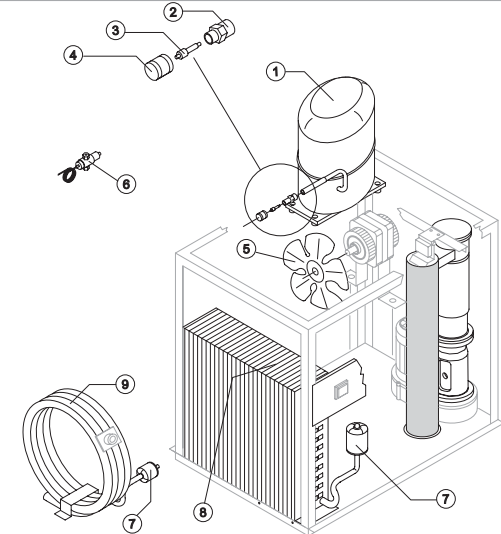
LIST OF THE EXPLODED VIEWS



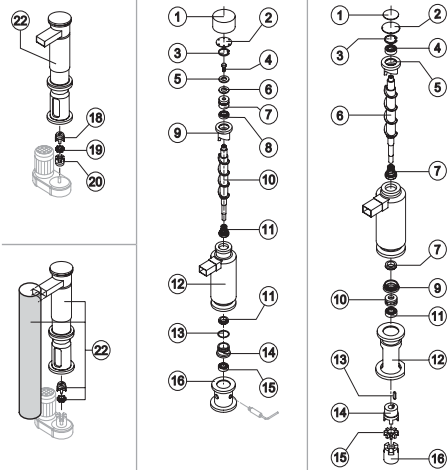
SHELL ASSY



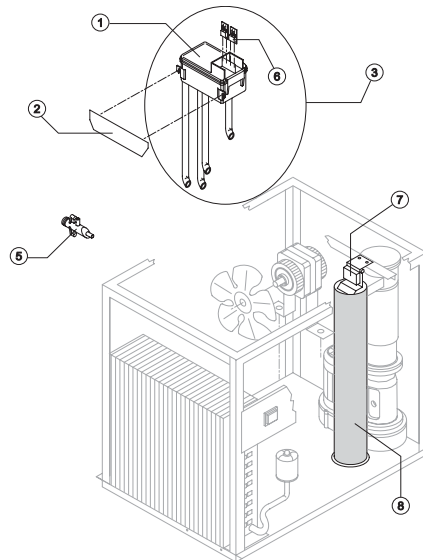
COOLING SYSTEM



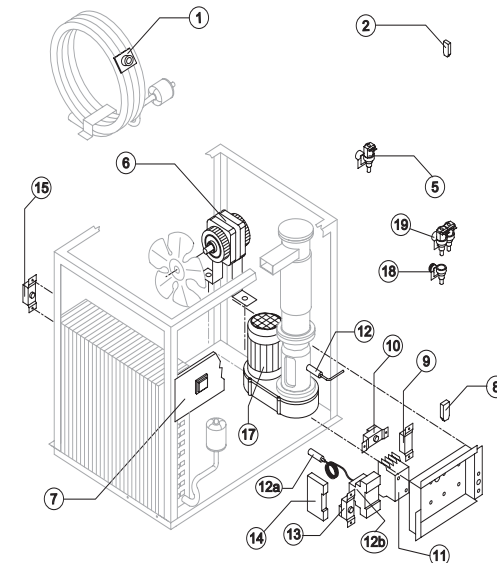
EVAPORATOR



HYDRAULIC CIRCUIT



ELECTRIC PARTS

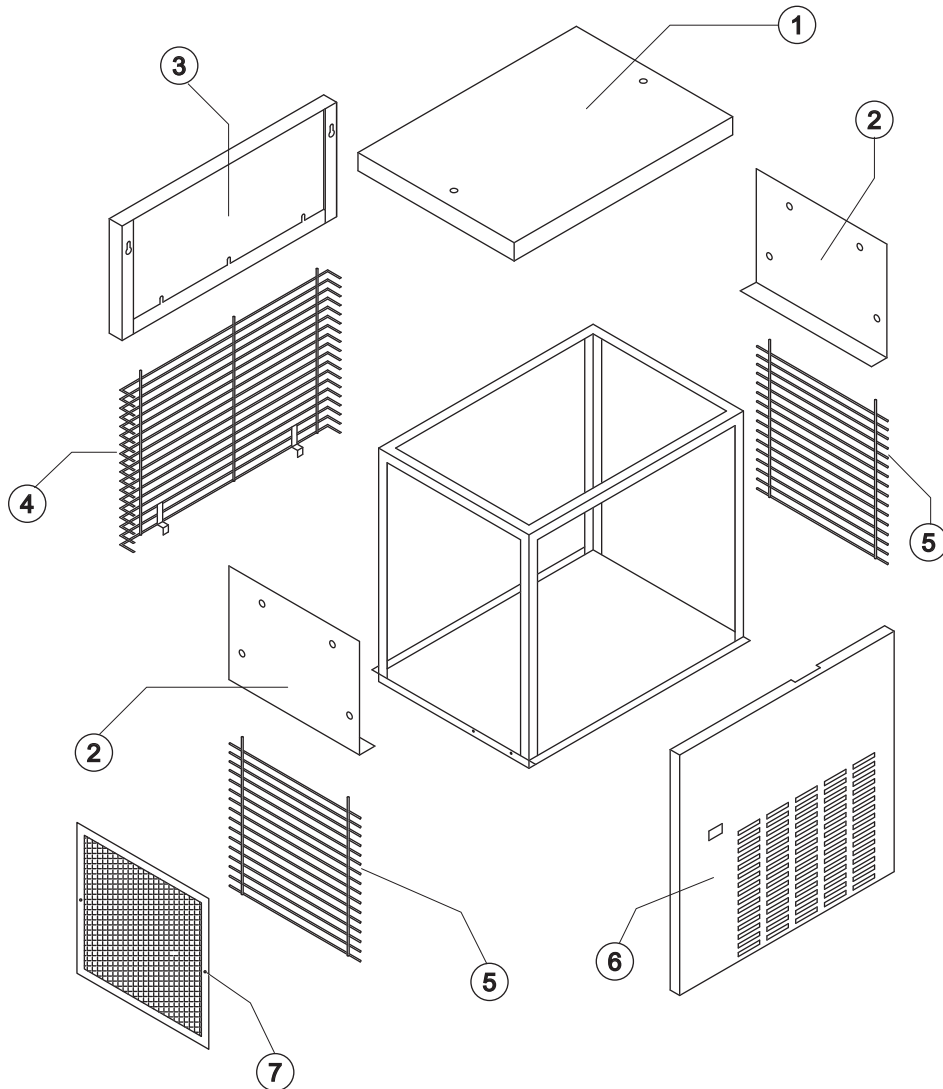


Rev. 4 - 20/10/2003



G 250

SHELL ASSY



Common Parts

Ref.	Spare Description	Code
1	Top	22667
2	Right/Left Panel	22663
3	Back Panel	22665
4	Back Grid	D12060
5	Lateral Grid	D12061
6	Front Panel Assembly	C22662B

Parts for Air-Cooled Version Only

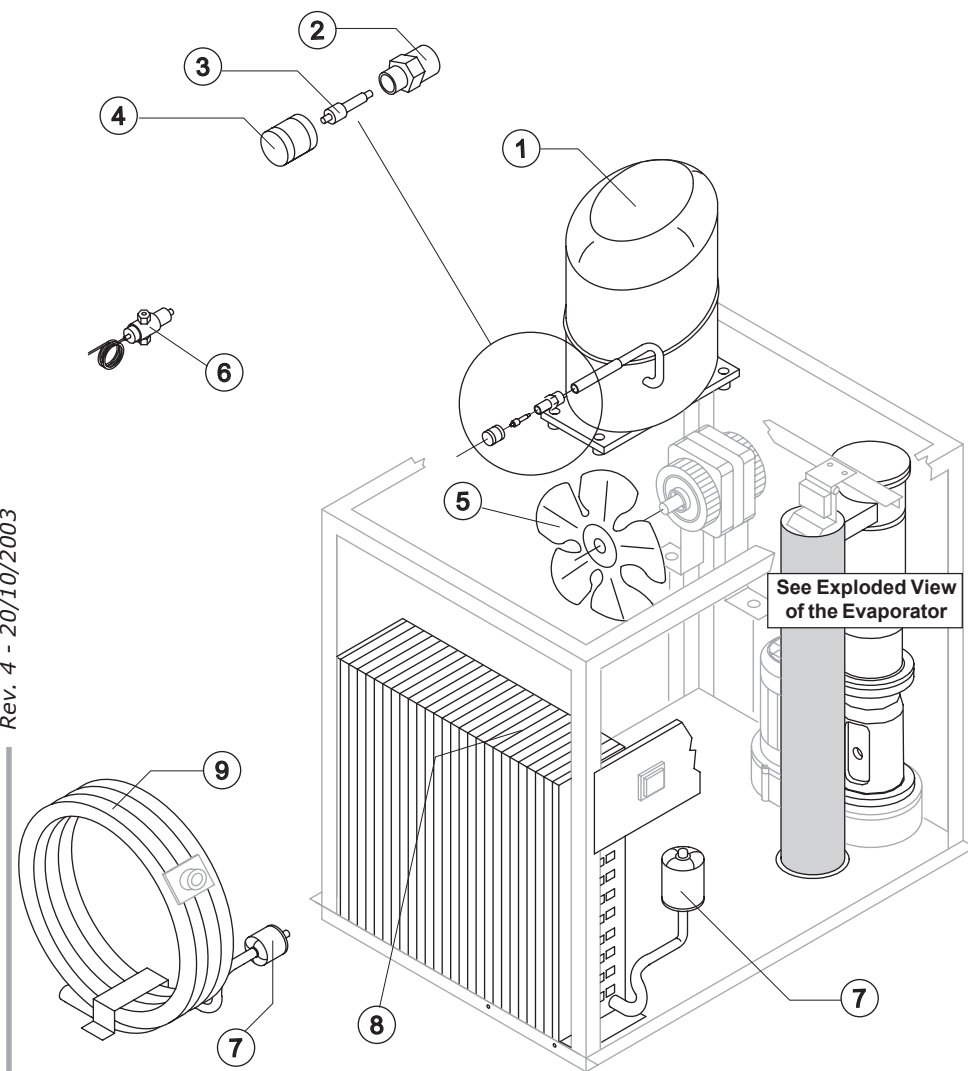
Ref.	Spare Description	Code
7	Filter	18163

Rev. 4 - 20/10/2003



G 250

COOLING SYSTEM



Common Parts

Ref.	Spare Description	Code
1	Compressor	See Table
2	Vacuum-Charge Valve Body	14007
3	Vacuum-Charge Valve Device	14005
4	Vacuum-Charge Valve Plug	14006
7	Solid Core Drier	14089

Parts for Air-Cooled Version Only

Ref.	Spare Description	Code
5	Suction Fan	20407
8	Air Condenser	20426

Parts for Water-Cooled Version Only

Ref.	Spare Description	Code
5	Suction Fan	10213
6	Pressure Valve	20210
9	Water Condenser	14034

Ref. 1 - Compressor

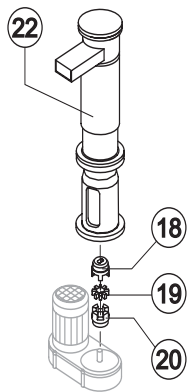
Tension	Code
220/240V 50 Hz	23570
220/230V 60 Hz	23573

Rev. 4 - 20/10/2003

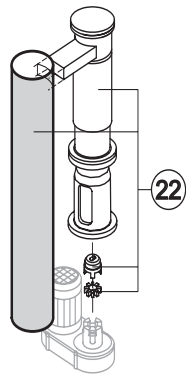


G 250

EVAPORATOR

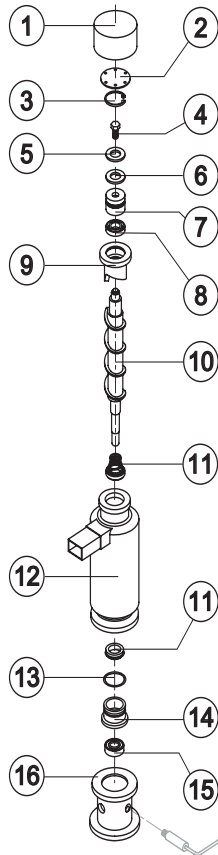


C11114



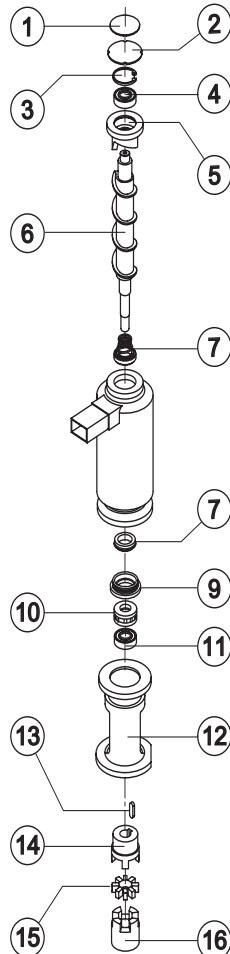
KITG250C11114

Current Version



For Complete Evaporator,
order C11114

Till s/n.162639



For Complete Evaporator,
order KITG250C11114

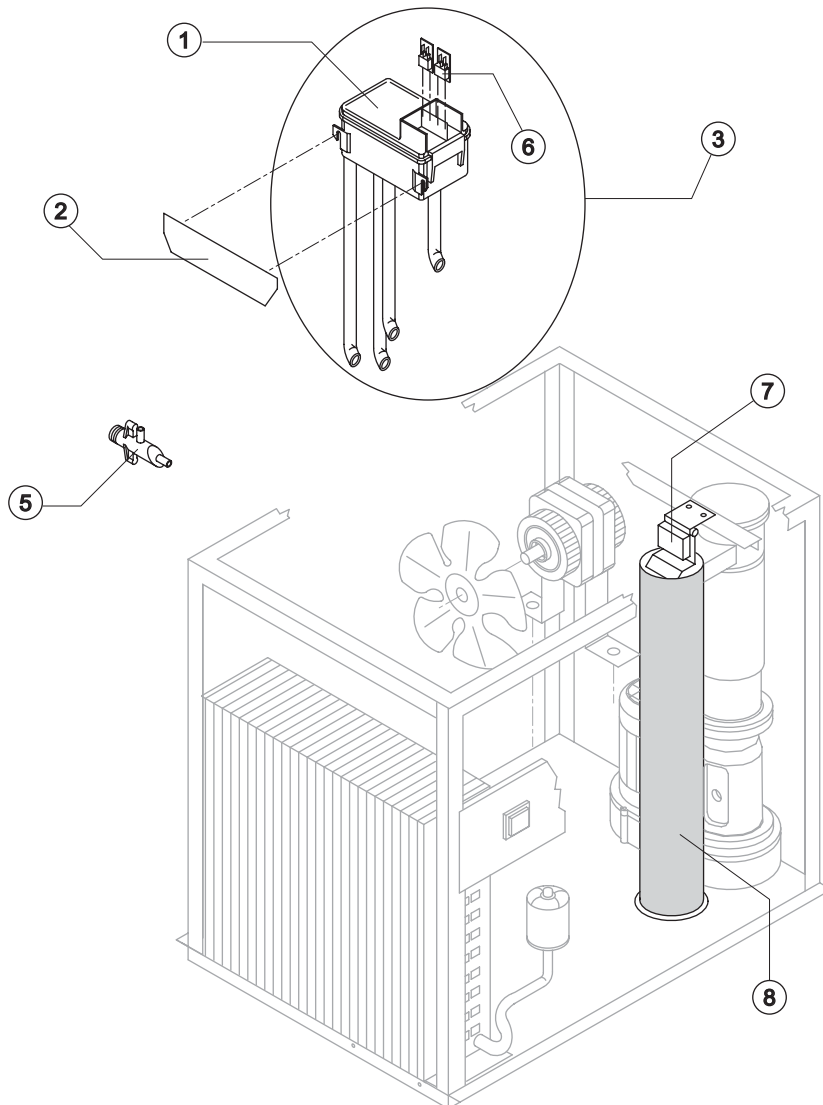
Ref.	Spare Description (Current Version)	Code
1	Insulating Top Panel	18167
2	Closing Disk	22649
3	Seeger	20116
4	Inox Screw	20664
5	Shimming Disk	22829
6	Self-Lubricating Disk	20639
7	Stainless Steel Thrust Bearing	Current Version 20685
7	Stainless Steel Thrust Bearing	Till s/n. 207806 20648
8	OR Gasket 4137	Current Version 20689
8	Seal Ring	From s/n. 192797 To s/n. 207806 20682
8	Seal Ring	Till s/n. 192797 20656
9	Ice Breaker	Current Version 20683
9	Ice Breaker	Till s/n. 192797 20657
10	Auger with Screw	Current Version C20684
10	Auger with Screw	Till s/n. 192797 C20658
11	Ceramic Seal	20633
12	Foamed Evaporator	C11115
13	OR Gasket 3218 NBR	20655
14	Reduction Ring	20659
15	INOX Bearing	20112
16	Flange	20644
18	Semi-Joint Upper	D20654
19	Vibration-Damping Elastomer	20494
20	Semi-Joint Lower	D20493
22	Evaporator Assy	C11114

Ref.	Spare Description (Till s/n.162639)	Code
1	Insulating Cover	18125
2	Closing Disk	22649
3	Seeger	20115
4	Inox Bearing	20112
5	Ice Breaker	20484
6	Auger	20515
7	Ceramic Seal	20110
9	Ring for Ceramic Seal	20485
10	Stainless Steel Thrust Bearing	20111
11	Inox Bearing	20113
12	Flange	20482
13	Key	20431
14	Semi-Joint Upper	Current Version D20517
14	Semi-Joint Upper	Till s/n. 81177 D20493
15	Vibration-Damping Elastomer	20494
16	Semi-Joint Lower	D20493
22	Evaporator Assy	ex C11105 KITG250C11114



G 250

HYDRAULIC CIRCUIT



Common Parts

Ref.	Spare Description	Code
1	Double Switch Basin	10145
2	Basin Support Plate	21133
3	Double Switch Basin Asembly	C10201
6	Microswitch	23055
7	Bin Level Control Switch	C22099
8	Assembled Ice Outlet Pipe	C13114

Parts for Air-Cooled Version Only

Ref.	Spare Description	Code
5	Discharges Manifold	C10052

Parts for Water-Cooled Version Only

Ref.	Spare Description	Code
5	Discharges Manifold	C10053

Rev. 4 - 20/10/2003



G 250

ELECTRIC PARTS

Common Parts

Ref.	Spare Description	Code
2	Anti Radio Interference Filter 220/240V 50 Hz	23457
5	Inlet Watervalue 1 Way	23115
7	Green Light Switch	23327
10	Evaporator Thermostat	23034
11	Contactors	23147
12	Rotation Sensor	Current Version 23676
12a	Probe of the Rotation-Sensor Electrical Control Block	Till s/n. 188726 23634
12b	Rotation Sensor Switchboard	Till s/n. 188726 23633
13	Bin Thermostat	23421
14	Electronic Timer	Till s/n. 162639 23560
15	Safety Pressure-Switch	23342
17	Gearmotor	Current Version 23638
17	Gearmotor	Till s/n. 162639 23571

Parts for Air-Cooled Version Only

Ref.	Spare Description	Code
6	Fan Motor	23121
8	Anti Radio Interference Filter 220/240V 50 Hz	23459
9	Condenser Pressure Switch	23175

Parts for Water-Cooled Version Only

Ref.	Spare Description	Code
1	Safety Thermostat	Till s/n. 175256 C23114
2	Fan Motor	23029
18	1 Way Inlet Water Nipple	10368
19	Inlet Watervalue 2 Ways	Till s/n. 123470 C23192

Rev. 4 - 20/10/2003

