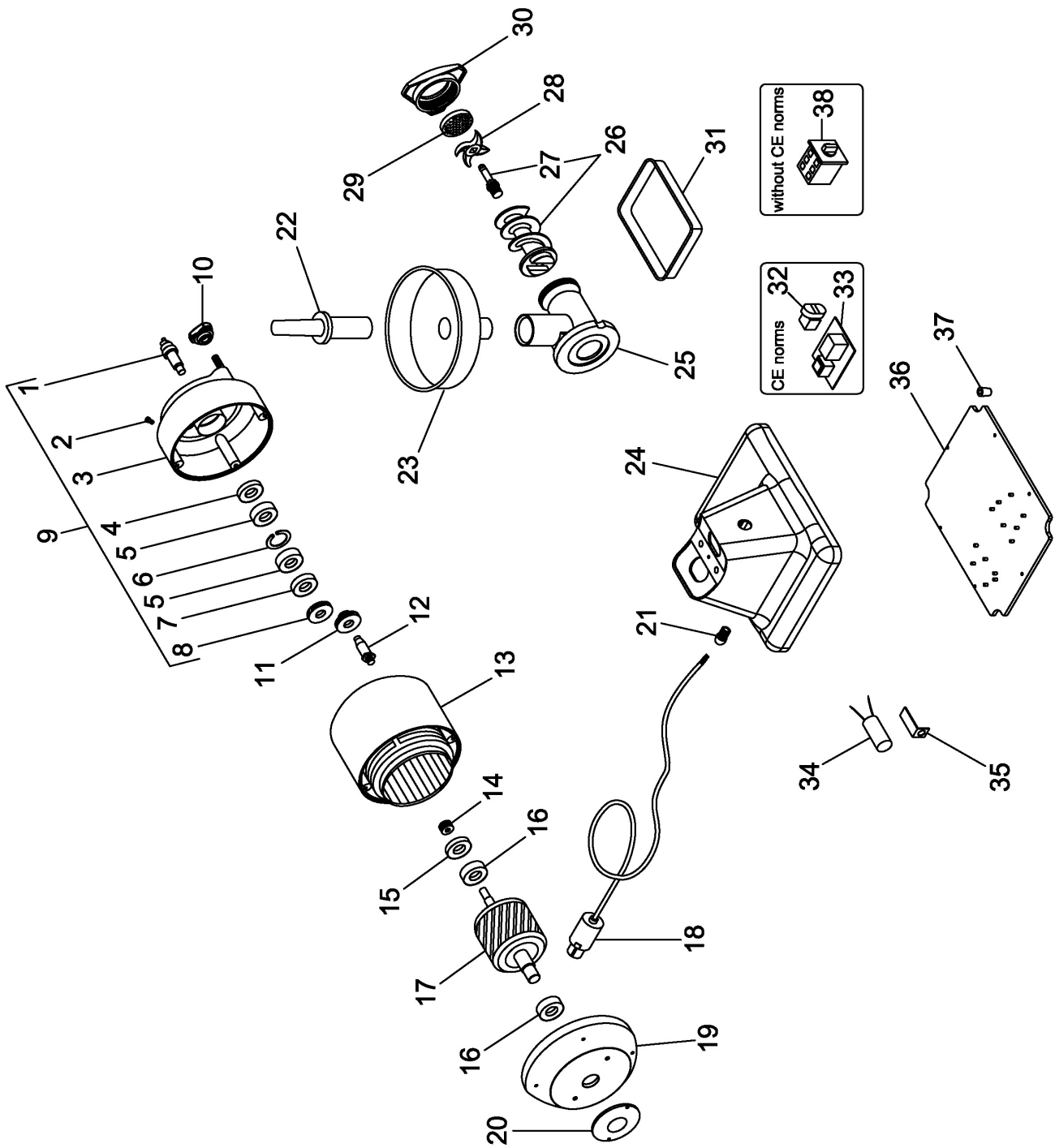


# TR12TSQ0



## TR12TSQ0

Pos. Ref.	Codice Code		Caratteristiche Features	Descrizione Description	
1	SL2527			Albero	Shaft
2	SL2917	●		Tappo	Tap
3	SL2526			Calotta	Calotte
4	SL2591		ø25xø47x8	Paraolio	Oil seal
5	SL3125		6204 2RS	Cuscinetto	Bearing
6	SL0082		ø47	Seeger	Seeger
7	SL2593		ø20xø47x8	Paraolio	Oil seal
8	SL0130			Ingranaggio	Gear
9	SA2500		Assembly	Calotta	Calotte
10	SL2924	●		Pomello	Knob
11	SL0125			Ingranaggio	Gear
12	SL2589			Albero	Shaft
13	SA1014		400V/3Ph/50Hz	Statore	Stator
13	SA1015		230V/1Ph/50Hz	Statore	Stator
14	SL0128			Ingranaggio	Gear
15	SL0127		ø17xø40x8	Paraolio	Oil seal
16	SL0131		6203 2RS	Cuscinetto	Bearing
17	SA7300		400V/3Ph/50Hz	Rotore	Rotor
17	SA7400		230V/1Ph/50Hz	Rotore	Rotor
18	SL1841		3Ph+Gnd	Cavo elettrico	Electric cable
18	SL1671		1Ph+N+Gnd	Cavo elettrico	Electric cable
19	SL0186			Calotta	Calotte
20	SL2833			Coperchio	Cover
21	SL1668		PG11	Pressacavo	Cable clamp
22	SL0134	●		Pestello	Pusher
23	SL0136			Tramoggia	Hopper
24	SL2566			Base	Base
25	SL3981		Stainless-steel	Bocchettone	Sleeve
25	SL2553R0		Food stuff treated cast-iron (without CE norms)	Bocchettone	Sleeve
25	SL3982		Unger	Bocchettone	Sleeve
26	SA5300	●	Stainless-steel	Elica	Screw shaft
26	SA5350		Food stuff treated cast-iron (without CE norms)	Elica	Screw shaft
26	SA2600		Unger	Elica	Screw shaft
27	SL2521			Perno	Pivot
27	SL2561		Unger	Perno	Pivot
28	//////////	●		Coltello	Cutter
29	//////////	●		Piastra	Plate
30	SL0171		Stainless-steel	Volantino	Handwheel
30	SL3327R0		Aluminium (without CE norms)	Volantino	Handwheel
31	SL0180			Recipiente	Container
32	SL0891	●	Start-stop	Pulsante	Push button
33	SL0883	●		Scheda elettronica	Electronic card
34	SL0177		16µF	Condensatore	Condenser
35	SL0176			Staffa	Bracket
36	SL2651			Fondo	Bottom
37	SL0235			Piedino	Foot
38	SL0054			Interruttore	Switch

(\*) : fuori produzione / out of production

● : ricambio consigliato / spare part suggested