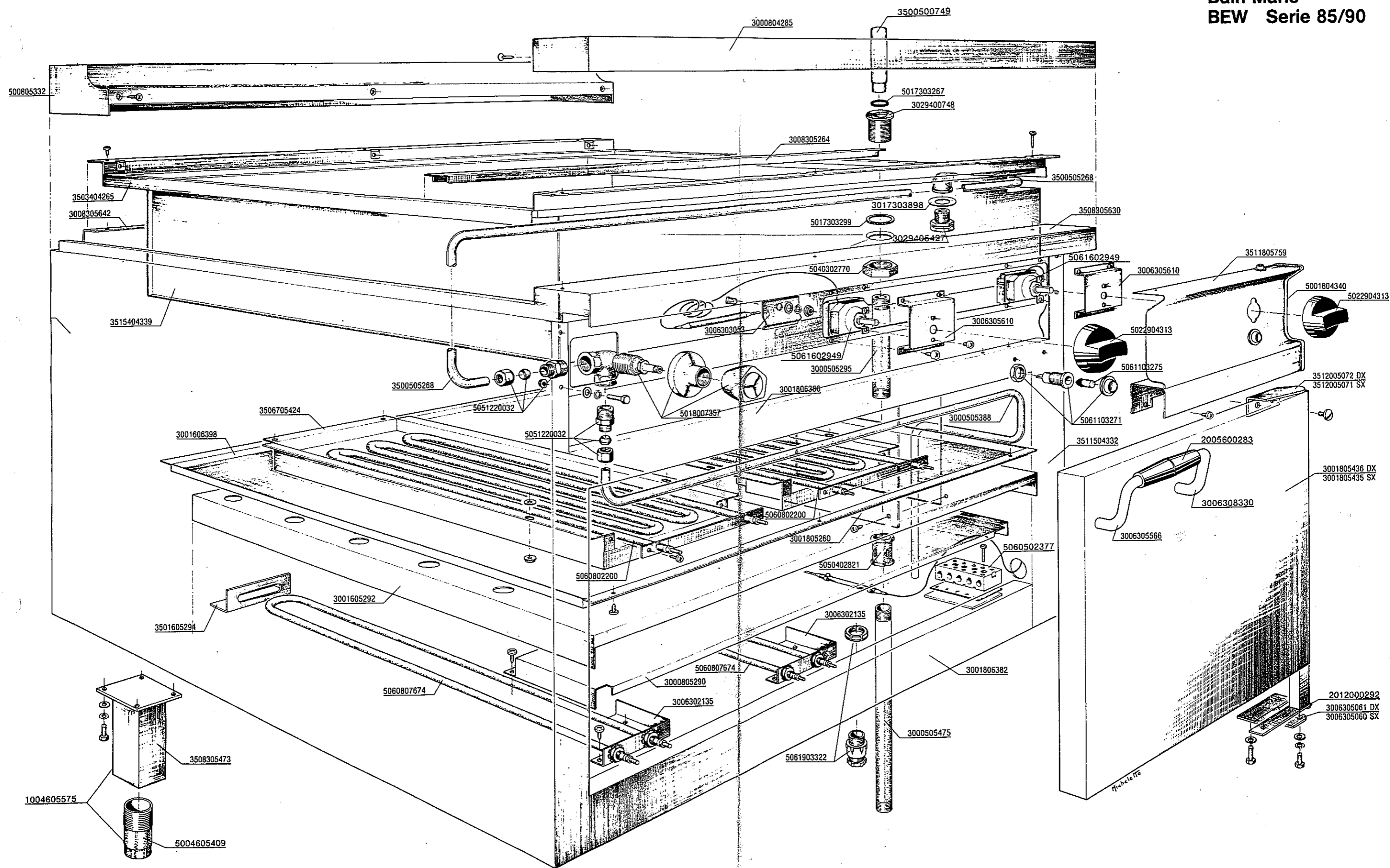


Bain Marie
BEW Serie 85/90



COD.	BESCHREIBUNG	DESCRIZIONE	DESCRPTION	DESCRPTION	QUANT.
0114805895	ELT-WASSERBAD	BAGNOMARIA ELT.	BAIN MARIE ELEC.	BAIN MARIE ELECTR.	BEW/80 PAG.1
ERSATZTEILLISTE	LISTA PARTICOLARI	LIST OF PARTS	LIST DES COMPOSANTS		26.07.91
1013506531	KABELSATZ	IMPIANTO CAVI ELT. BEW/BEL/80	ELEC. WIRING ASSY.	INSTAL. CABLES ELEC	BEW/BEL/80 1
2005600283	GRIFF BACKROHRTÜR	MANIGLIA PORTINA	DOOR HANDLE	POIGNEE PORTE	BG/BEL/85 2
2012000292	SCHARNIER TÜR	CERNIERA PORTINA	DOOR HINGE	CHARNIERE PORTE	M/KT 2
3000505295	ROHR ABL. 3/4"x1/45	TUBO SCARICO 145mm	DRAIN PIPE 145mm	TUYAU DECHAR. 145mm	BE/40/80 1
3000505388	ROHR EINLAUF WASS.	TUBO CARICO ACQUA	WATER INTAKE PIPE	TUYAU ARRIVEE EAU	BE/80 1
3000505475	ROHR VERLÄNGERUNG	TUBO RACCORDO	PIPE FITTING	TUYAU RACCORD	G/85 1
3000804285	ABDECKUNG EINFASS.	CRUSCOTTO PIANO	HOB PANEL	TABLEAU PLAN	G/80 1
3000804292	ABDECKUNG SEITE L.	CRUSCOTTO LATER.S.	PANEL LH SIDE	TABLEAU COTE GAUCH.	G/85 1
3000805063	ABDECKUNG SCHALT.L.	PROTEZIONE PANN.S.	PROTECTION LH PAN.	PROTECTION PANN.G.	G/85 1
3000805209	ABDECKUNG HEIZK.	PROTEZIONE RESIST.	HEAT.ELEM. COVER	PROTECTION RESIST.	UBW/80 1
3000805290	ABDECKUNG E-ANSCHL.	PROTEZIONE ELETTR.	ELEC. PROTECTION	PROTECTION ELECTR.	UBW/40/80 1
3000808271	ABDECKUNG SEITE R.	CRUSCOTTO LATER.D.	PANEL RH SIDE	TABLEAU COTE DROIT	G/85 1
3000808273	ABDECKUNG SCHALT.R.	PROTEZIONE PANN.D.	PROTECTION RH PAN.	PROTECTION PANN.D.	G/85 1
3001605292	BODEN WÄRMESCHRANK	FONDO ARMADIO CALD	HOTPRESS BOTTOM	FOND ETUVE	UBW/80 1
3001605313	BODEN MITTELFACH	FONDO TRAMEZZA	PARTITION BOTTOM	FOND CLOISON	UBO/CLOISON 1
3001606398	BODEN OBEN	FONDO SUPERIORE	BOTTOM UPPER	FOND SUPERIEUR	UBO/80 1
3001805260	BLENDE ANSCHLUSS	CRUSCOTTO ALLACC.	PANEL CONNECTIONS	TABLEAU BRANCHEME.	UBO/UBW/85 1
3001805435	BLENDE TÜR LINKS	BOMBATO PORTINA S.	CONV.DOOR SECT. LH	PORTE BOMBEE	G/40 1
3001805436	BLENDE TÜR RECHTS	BOMBATO PORTINA D.	CONV.DOOR SECT. RH	PORTE BOMBEE	G/40 1
3001806382	BLENDE UNTEN	CRUSCOTTO INF.	PANEL BOTTOM	TABLEAU INF.	UBO/80 1
3001806386	BLENDE OBEN	CRUSCOTTO SUP.	PANEL TOP	TABLEAU SUP.	UBO/80 1
3003405600	EINFASSUNG VERB.	FASCIA RACCORDO	CONNECTION STRIP	BANDE RACCORD	G/85 1
3004505297	SCHIENE GN	GUIDA GN	GUIDE GN	GUIDE GN	UBO/UBW 2
3004605432	FUSS VIERKANTROHR	PIEDINO ESTERNO	FOOT EXTERNAL	PIED EXTERNE	G/85 4
3005605398	GRIFF SCHALTBLENDE	MANIGLIA PANELLO	PANEL HANDLE	POIGNEE PANNEAU	G/80 1
3005705437	GEGENBLENDE TÜR	CONTROBOMBATO PORT.	DOOR COUNTER-SECT.	INTERIEUR PORTE	G/40 2
3006302134	HALTER HEIZK.H.	SUPPORTO RESIST.P.	HEAT.ELEM.SUPT.REAR	SUPPORT RESIST.ARR.	WS/35/40 2
3006302135	HALTER HEIZK.V.	SUPPORTO RESIST.A.	HEAT.ELEM.SUPT.FRONT	SUPPORT RESIST.AVT.	WS/35/40 2
3006303053	HALTER FÜHLER	SUPPORTO BULBO	PROBE SUPPORT	SUPPORT SONDE	BM 1
3006303611	HALTER ROHR WASSER	SUPPORTO TUBO ACCUA	WATER PIPE SUPPORT	SUPPORT TUYAU EAU	BM 1
3006305060	HALTER SCHARNIER L.	SUPPORTO CERN. SIN.	SUPPORT LH HINGE	SUPPORT CHARN.GCHE.	G/85 1
3006305061	HALTER SCHARNIER R.	SUPPORTO CERN.DEST.	SUPPORT RH HINGE	SUPPORT CHARN.DRT.	G/85 1
3006305566	HALTER GRIFF L.	SUPPORTO MANIGL.S.	SUPPORT LH HANDLE	SUPPORT POIGNEE G.	G/85 2
3006305610	HALTER THERMOSTAT	SUPPORTO TERMOSTAT	SUPPORT THERMOSTAT	SUPPORT THERMOSTAT	BE/40/80 2
3006305623	HALTER WASSERHAHN	SUPPORTO RUBINETTO	COCK SUPPORT	SUPPORT ROBINET	BE/40/80 1
3006306109	HALTER EINFASSUNG	SUPPORTO PIANO	HOB SUPPORT	SUPPORT PLAN	G/85 2
3006308330	HALTER GRIFF R.	SUPPORTO MANIGL.D.	SUPPORT RH HANDLE	SUPPORT POIGNEE D.	G/85 2
3008304247	ISOLIERPLATTE KLEMME 4-5POLIG	ISOLAZIONE BACHELITE 4-5 POLI.	INSULATION 4-5 POLE	ISOLATION BAKELITE 4-5 POLES	G/80 1
3008305264	TRÄGER EINFASSUNG	PORTANTE FASCIA	CONNECT.STRIP SUPT.	PORTANT BANDE	BE/80 1
3008305642	ZWISCHENSTIEPP LANG	TRAMEZZA LUNGA	LONG PARTITION	CLOISON LONGUE	G/80 1
3009600147	TRÄGER LÄNGS HINT.	PORTANTE LON. POST.	MEMBER LONGIT.REAR	PORTANT LON.ARRIER.	S/70-S/85 1
3009600147	STIFT SCHARNIER	PERNO CERNIERA	HINGE PIN	PIVOT CHARNIERE	S/70-S/85 2
3014204295	VERSTÄRKUNG RÜCKKW.	RINFORZO SCHIENA	STIFFENER BACK	RENFORT DOS	G/80-160 1

COD.	BESCHREIBUNG	DESCRIZIONE	DESCRIPTION	DESCRIPTION	QUANT.
01148058	ELT-WASSERBAD	BAGNOM. A.ELT.	BAIN MARIE ELEC.	BAIN MARIE ELECTR.	BEV 1 PAG.2
3014205438	VERSTÄRKUNG TÜR	RINFORZO PORTINA	DOOR STIFFENER	RENFORT PORTE	G/40 2
3017303898	DICHTUNG TEFLON	GUARNIZIONE TEFLON 30X22X2	GASKET TEFLON 30X22X2	JOINT TORIQUE TEFLON	30X22X2 BE 1
3029400748	ABLAFU 1" VERCHR.	PILETTA SCAR.CROM.1"	DRAIN STUB CHROME.1"	BONDE DECHAR CHRQ.1"	BE/40/80 1
3029405427	WASSEREINLAUF 1/2"	EROGATORE ACQUA 1/2"	WATER DISTRIB. 1/2	DISTRIBUTEUR EAU 1/2"	BE/80 1
3500500749	ROHR WASSERÜBERL.	PILETTA TROPPOPIENO	OVERFLOW STUB	BONDE TROP-PLEIN	BE/40/80 1
3500505268	ROHR VERBINDUNG	TUBO RACCORDO	PIPE FITTING	TUYAU RACCORD	BE/80 1
3500805332	ABDECKUNG KAMIN N	CRUSCOTTO CAMINO N	FLUE BLANK PANEL	TABLEAU CHEMINEE N.	G/80 1
3501605294	BODEN HEIZKÖRPER	FONDO RESISTENZA	HEAT.ELEM. BOTTOM	FOND RESISTANCE	UBW/80 1
3503404265	EINFASSUNG	PIANO BAGNOMARIA	BAIN MARIE HOB	PLAN BAIN MARIE	BE/80 1
3506705424	ISOLIERBLECH HEIZK.	LAMIERA ISOL.RESIS.	HEAT.ELEM.INSUL.PLATE	TOLE ISOL.RESIST.	BE/40/80 2
3508304243	TRÄGER QUER UNT.L.	PORTANTE TRAS.INF.S.	MEMBER CROSS BOT.LH	PORTANT TRANS.INF.G.	G/85 1
3508305473	TRÄGER FUSS	SUPPORTO PIEDE	FOOT SUPPORT	SUPPORT PIED	G/85 4
3508305630	TRÄGER LÄNGS VORNE	PORTANTE LON.ANT.	MEMBER LONG.FRONT	PORTANT LON.AVANT	BE/80 1
3508308224	TRÄGER QUER UNT.R.	PORTANTE TRAS.INFD.	MEMBER CROSS BOT.RH	PORTANT TRANS.INFD.	G/85 1
3508706312	MANTEL WÄRMESCHR.	MANTELLLO ARM.CALDO	HOTPRESS JACKET	MANTEAU ETUVE	G/85 1
3509704298	RÜCKWAND	SCHIENA	BACK	DOS	UBW/80 1
3511504311	SEITENWAND OFFEN L.	FIANCO APERTO SIN.	SIDE OPEN LEFT	COTE OUVERT GAUCHE	G/80 1
3511504332	SEITENWAND OFFEN R.	FIANCO APERTO DEST.	SIDE OPEN RIGHT	COTE OUVERT DROIT	G/85 1
3511819083	SCHALTBLENDE	PANNELLO COMANDO	CONTROL PANEL	PANNEAU COMMANDE	BEW/80 1
3512005071	SCHARNIER OBEN L.	CERNIERA SUP.SIN.	HINGE LH SUPPORT	CHARNIERE SUP.GCHE	G/85 1
3512005072	SCHARNIER OBEN R.	CERNIERA SUP.DEST.	HINGE RH SUPPORT	CHARNIERE SUP.DRT.	G/85 1
3515404339	WANNE	VASCA	PAN	CUVE	BE/80 1
5001804340	BLENDE-ABSCHLUSS	TERMINALE CRUSCOTTO	PANEL ENDPICE	EXTREMITÉ TABLEAU	S/85 2
5004605409	FUSS VERSTELLBAR	PIEDINO REGOLABILE	ADJUSTABLE FOOT	PIED REGLABLE	G/85 4
5004703314	FEDER FÜHLERHALTER	FERMAGLIO BULBO	PROBE CLIP	ATTACHE SONDE	UBG/UBEW/S 2
5006805308	ISOLIERUNG GLASWOLLE	PANNELLO ISOLANTE 480X180X25	INSULATING PANEL 480X180X25	PANNEAU ISOLANT	480X180 2
5017300269	DICHTUNG CU	GUARNIZIONE CU 21.5X28X1.5	GASKET CU 21.5X28X1.5	JOINT TORIQUE CU 21.5X28X1.5	21.5X28X1.5 1
5017303267	DICHTUNG O-RING	ANELLO OR 20.22X3.53	O-RING 20.22X3.53	BAGUE OR 20.22X3.53	20.22X3.53 1
5017303299	DICHTUNG GUMMI 1"	GUARNIZIONE GOMMA DA 1"	GASKET RUBBER	JOINT EN CAOUTCHOUC 1"	1 1
5018007357	WASSERARMATUR BLAU 1/2"	RUBINETTO INCASSO 1/2" BLU	COCK FITTED 1/2" BLU	ROBINET ENCASTR. 1/2" BLEU	1 1
5022904313	SCHALTKNOPF	MANOPOLA 300-1100	KNOB	POIGNEE	300-1100 2
5027609400	ROLLE KUNSTSTOFF GERÄTE	BOCCOLA NYLON	BUSHING NYLON 66 NATURAL	BOUCLE NYLON 66 NATUREL	2 2
5040302770	MUTTER 6KT 1" VERZ.FIG.312	DADO ES ZINCATO FIG.312 1"	NUT HEX GALVAN. FIG.312 1"	ECROU ES ZINGUE FIG.312 1"	1 1
5050402821	MUFFE VERZ.FIG.270 3/4"	MANICOTTO ZINC.FIG.270 3/4"	SLEEVE GALVAN. FIG.270 3/4"	MANCHON ZINGUE FIG.270 3/4"	1 1
5051204013	WINKELVERSCHRAUBUNG 1/2">12	GOMITO BRONZO 1/2">12	ELBOW BRONZE 1/2">12	COUDE BRONZE 1/2">12	1 1
5051220032	ROHRVERSCHRAUBUNG MS 1/2">12	RACCORDO DIRITTO 1/2">12	STRAIGHT FITTING 1/2">12	RACCORD DROIT 1/2">12	2 2
5060502377	ANSCHLUSSKLEMME 4-POLIG	MORSETTERIA 8016 V/4 DS KR	TERMINAL 8016 V/4 DS KR	BORNE 8016 V/4 DS KR	1 1
5060802200	HEIZKÖRPER 2000W 380V	RESISTENZA 2000W 380V	HEAT.ELEM. 2000W 380V	RESISTANCE 2000W 380V	BE/40 2
5060807674	HEIZKÖRPER 800W 380V	RESISTENZA 800W 380V	HEAT.ELEM. 800W 380V	RESISTANCE 800W 380V	WS/40 2
5061103271	SIGNALLEUCHE TYP	LAMPE TEMOIN TYP	LAMP TEMOIN TYPE	LAMPE TEMOIN TYP	VOY S16A 2
5061103275	GLIMMLAMPE NEON	LAMPADA SPIA NEON	INDIC. LIGHT NEON	LAMPE TEMOIN NEON	BA 9S 380V 2
5061608580	THERMOSTAT 1-POLIG 300-1100	TERMOSTATO UNIPOL. 300-1100	THERMOSTAT UNIPOL.	THERMOSTAT UNIPOL.	2 2
5061903322	VERSCHRAUBUNG PG16 ART.	PASSACAVO PVC PG16 N 106	GROMMET PVC PG16 N 106	OILLET PVC PG16 N 106	106/16 1

COD.	BESCHREIBUNG	DESCRIZIONE	DESCRIPTION	DESCRIPTION	DESCRIPTION	QUANT.
0114805895	ERSATZTEILLISTE ELT-WASSERBAD	LISTA PARTICOLARI BAGNOMARIA ELT.	LIST OF PARTS BAIN MARIE ELEC.	LIST DES COMPOSANTS BAIN MARIE ELECTR.		26.37.91 BEW/80 PAG.3
5061903541 5207400705	KABELDURCHLASS HEYCO HOLZVERSCHLAG	BOCCOLA PASSACAVI HEYCO IMBALLO LEGNO	CABLE GROMMET HEYCO D=30 WOODEN CRATE	OUSSINET OEILLET HEYCO EMBALLAGE BOIS		D=30 S/80 1 1