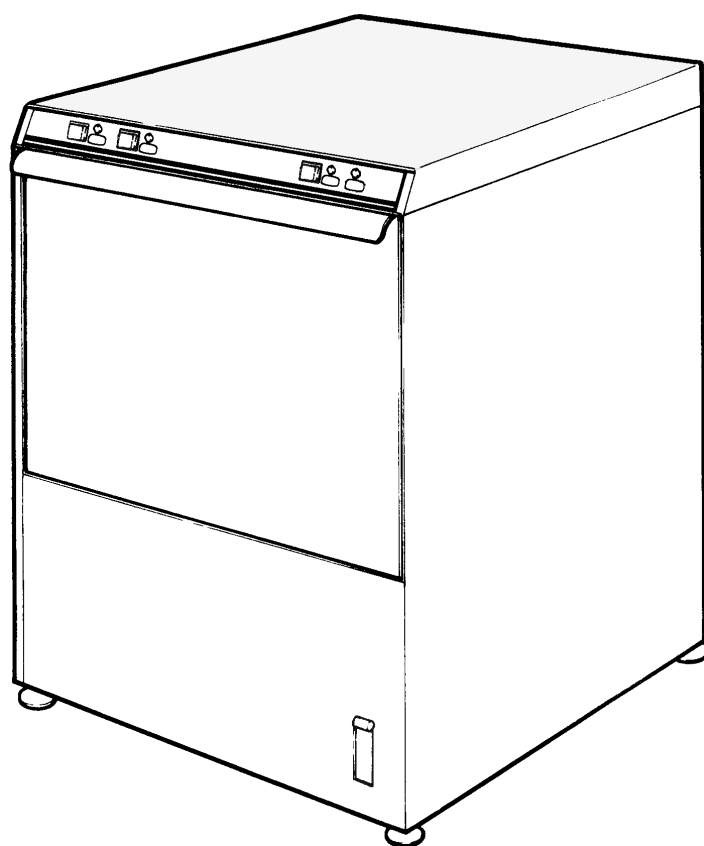
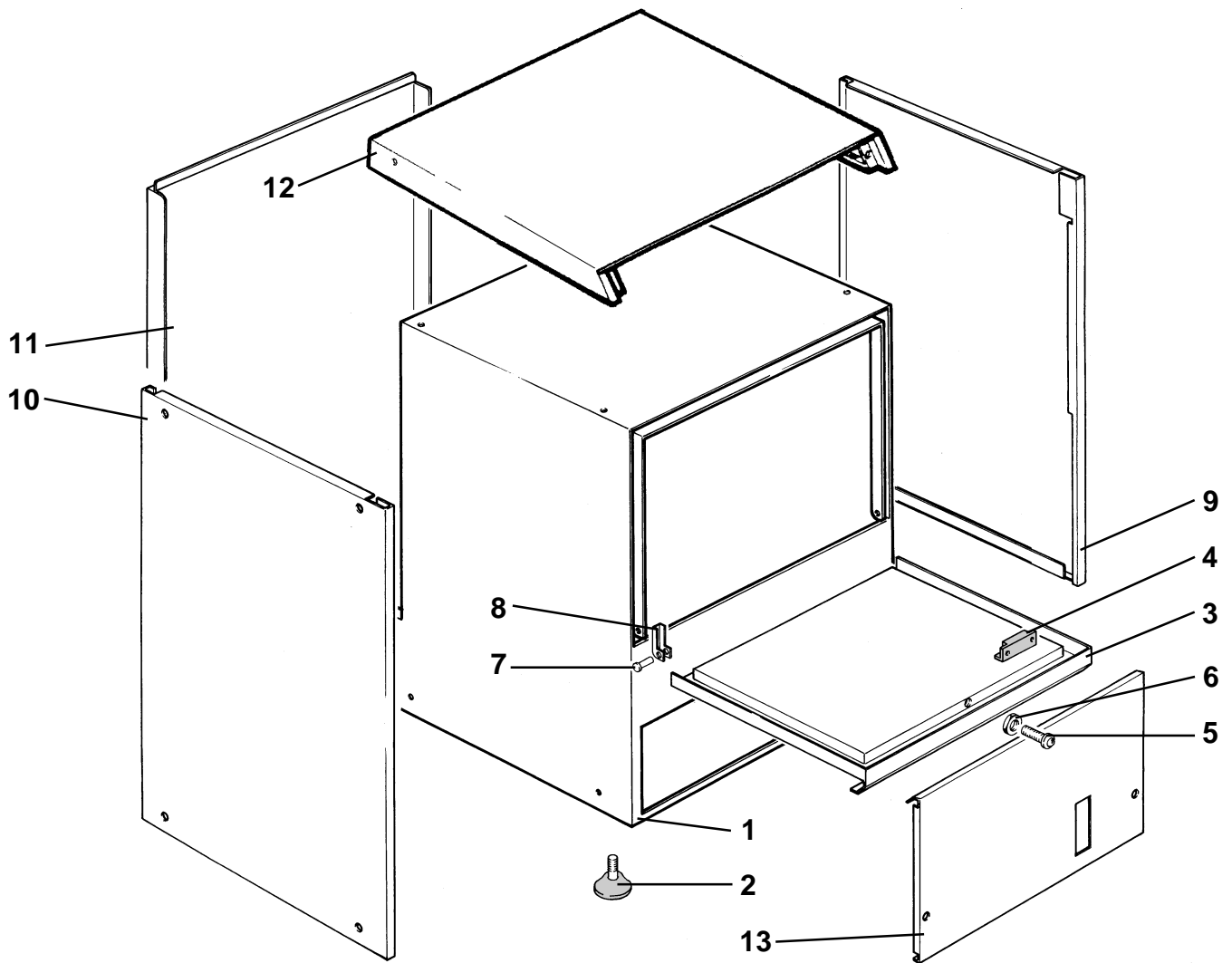


LAVASTOVIGLIE INDUSTRIALI
INDUSTRIAL DISHWASHER
LAVE-VAISSELLE INDUSTRIELS
INDUSTRIEGESCHIRRSPÜLES

R20

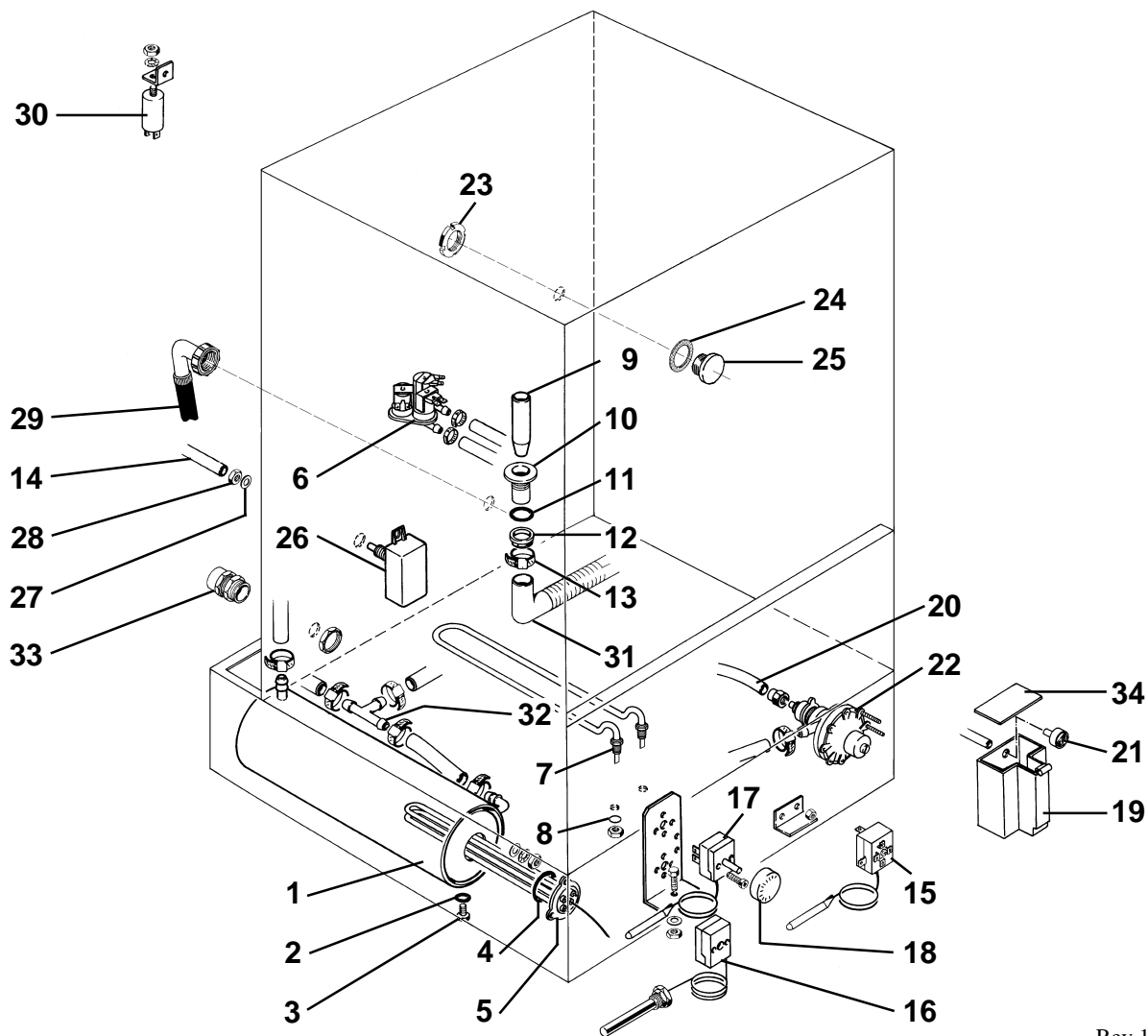


MANUALE DI RICAMBI
SPARE PARTS
CATALOGUES PIÉCES
ERSATZTEILEKATALOG



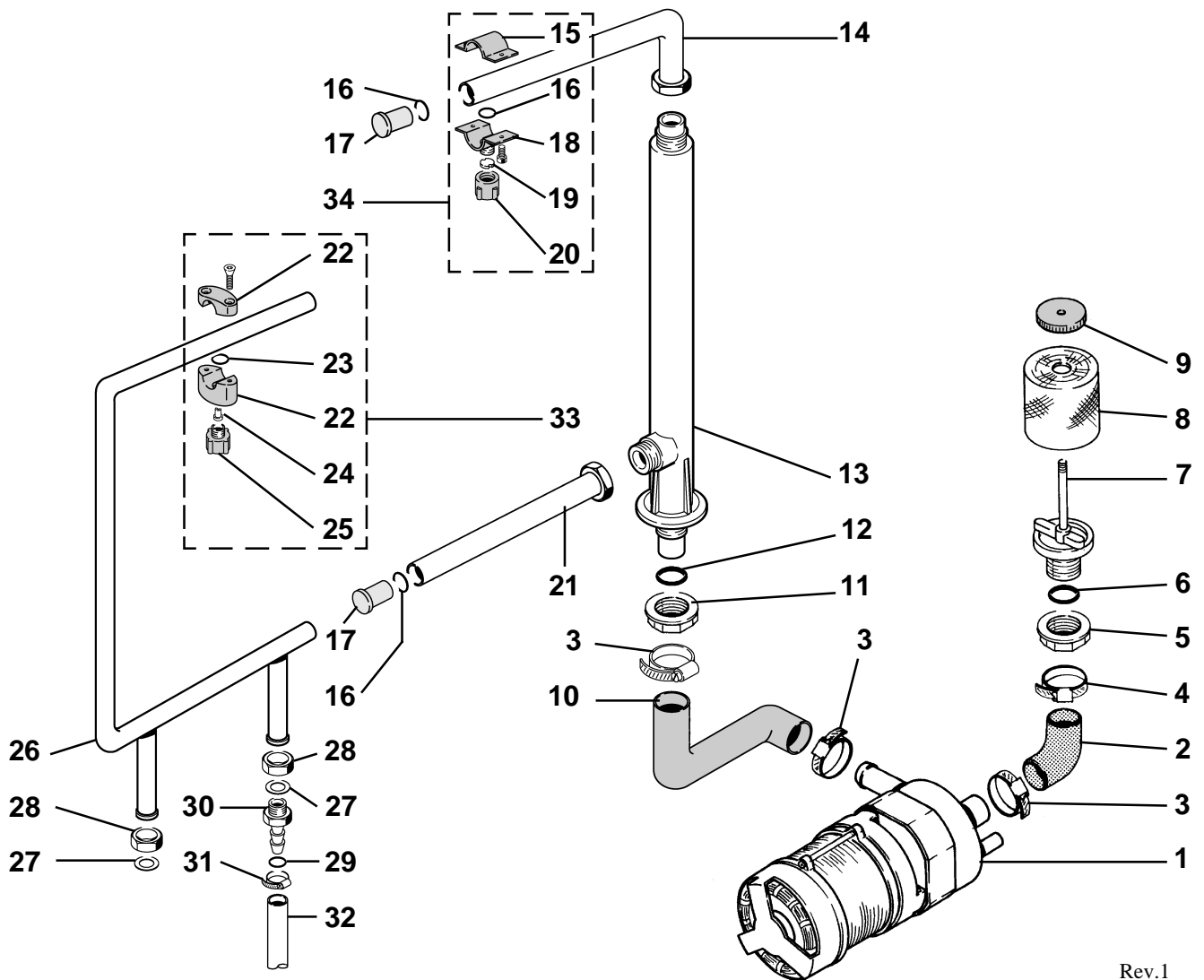
Rev.1 06/99

Pos	COD.	DESCRIZIONE	DENOMINATION	DESCRIPTION	BEZEICHNUNG
1	901037	CARROZZERIA	CARROSSERIE	CABINET	KARROSSERIE
2	904980	PIEDINO REGOLABILE	PETIT PIED RÉGABLE	RUBBER LEG	EINSTELLBARE SOCKEL
3	905066	PORTA	PORTE	DOOR	TÜR
4	TR0220	CUSTODIA CON MAGNETE	PROTECTION MAGNETO	COVER MAGNET	MAGNETSCHUTZ
5	906121	SCROCCHETTO INOX	CLIQUET FERMETURE PORTE	DOOR CATCH	SCHNAPPVERSCHLUSS
6	902023	DADO SCROCCHETTO	ECROU DU CLIQUET	NUT LATCH	KLINKENMUTTER
7	904795	PERNO PORTA	TOURILLON DE LA PORTE	DOOR PIN	TÜRSCHARNIERESTIFT
8	901245	CERNIERA	PATTE	DOOR SUPPORT	SCHARNIER
9	904706	PANNELLO LATERALE DX	PANNEAU DROIT	RIGHT PANEL	RECHTE VERKLEIDUNG
10	904707	PANNELLO LATERALE SX	PANNEAU GAUCHE	LEFT PANEL	LINKE VERKLEIDUNG
11	904534	PANNELLO POSTERIORE	PANNEAU POSTÉRIEUR	BACK PANEL	HINTERE VERKLEIDUNG
12	904705	PANNELLO SUPERIORE	PANNEAU SUPERIEUR	UPPER SIDE PANEL	OBERE VERKLEIDUNG
13	904446	PANNELLO INFERIORE	PANNEAU INFÉRIEUR	LOWER PANEL	UNTERE VERKLEIDUNG



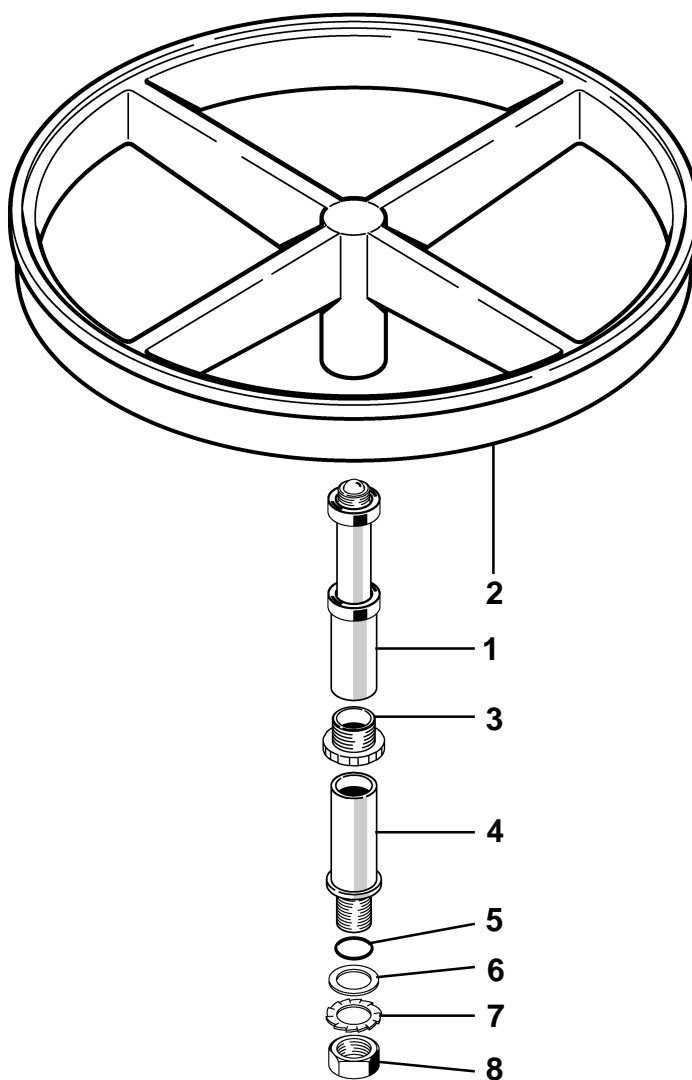
Rev.1 06/99

Pos	COD.	DESCRIZIONE	DENOMINATION	DESCRIPTION	BEZEICHNUNG
1	900347	BOILER	CHUAFFE EAU	BOILER	HEISSWASSERSPEICHER
2	904430	O-RING	O-RING	O-RING	O-RING
3	907820	VITE	VIS	SCREW	SCHRAUBE
4	907951	O-RING	O-RING	O-RING	O-RING
5	905493	RESISTENZA 2700W	RESISTANCE	HEATING ELEMENT	HEIZ KÖRPER
6	902400	ELETTROVALVOLA A 2 VIE	SOUPAPE ÉLECTRIQUE	ELECTRIC VALVE	ELEKTROVENTIL
7	905771	RESISTENZA 1600W	RESISTANCE	HEATING ELEMENT	HEIZ KÖRPER
8	904391	O-RING	O-RING	O-RING	O-RING
9	907250	TROPPO PIENO	NIVEAU	OVER FLOW	VEBERLAUF
10	905440	RACCORDO SCARICO	RACCORD DE DECHARGE	PIPE FITTING FOR OUTLET	ABLAUFANSCHLUSS
11	904350	O-RING	O-RING	O-RING	O-RING
12	902070	GHIERA 1" GAS	FRETTE	RING NUT	NUTMUTTER
13	902460	FASCETTA 26÷38	COLLIER	CLAMP	SHELLE
14	907272	TUBETTO PRESSOSTAT. NERO	TUYAU PRESSOSTAT	PRESSURE SWITCH PIPE	SCHAUCH
15	907125	TERMOSTATO SICUREZZA	THERMOSTAT	THERMOSTAT	THERMOSTAT
16	907124	TERMOSTATO VASCA	THERMOSTAT	THERMOSTAT	THERMOSTAT
17	907100	TERMOSTATO 0°-90°	THERMOSTAT	THERMOSTAT	THERMOSTAT
18	903982	MANOPOLA	BOUTON	KNOB	KNOPF
19	901761	CONTENITORE BRILLANTE	RECIPIENT BRILLANTANT	GLASS AGENT CONTAINER	GLANZSPÜLMITTELBEHALTER
20	907270	TUBO ASP. BRILLANTANTE	TUYAU	PIPE	LAUCH
21	902568	FILTRO	FILTRE	FILTER	FILTER
22	902199	DOSATORE	DOSEUR COMPLET	COMPL. DOSING DEVICE	DOSIERSATZ
23	902679	GHIERA PG. 7	FRETTE	RING NUT	NUT MUTTER
24	903351	GUARNIZIONE	JOINT	GASKET	DICHTUNG
25	902678	TAPPO PG. 7	BOUCHON	PLUG	FROPFEN
26	905273	TRAPPOLA ARIA	RESERVOIR A AIR	AIR TRAP	LUFTFALLE
27	903260	GUARNIZIONE	JOINT	GASKET	DICHTUNG
28	902100	GHIERA 3/8" GAS	VIROLE	LOCK NUT	NUTMUTTER
29	907344	TUBO CARICO	TUYAND'ENTRÉE DE L'EAU	INLET PIPE	WASSERZUFÜHRROHR
30	901744	CONDENSATORE 6,3µF	CONDENSATEUR	CONDENSATEUR	KONDENSATOR
31	907440	TUBO DI SCARICO	TUYAU DE DECHARGE	OUTLET TUBE	ABLAUFLAUCH
32	905382	RACC. DOSATORE A 3 VIE	RACCORD	PIPE FITTING	ANSCHLUSSE
33	902687	PRESSACAVO PG. 13,5	FIXAGE DU CABLE D'ALIM.	FIXING CABLE	KABELBEFESTIGER
34	904951	COP. CONT. BRILLANTANTE	COUVERCLE	COVER	DECKEL



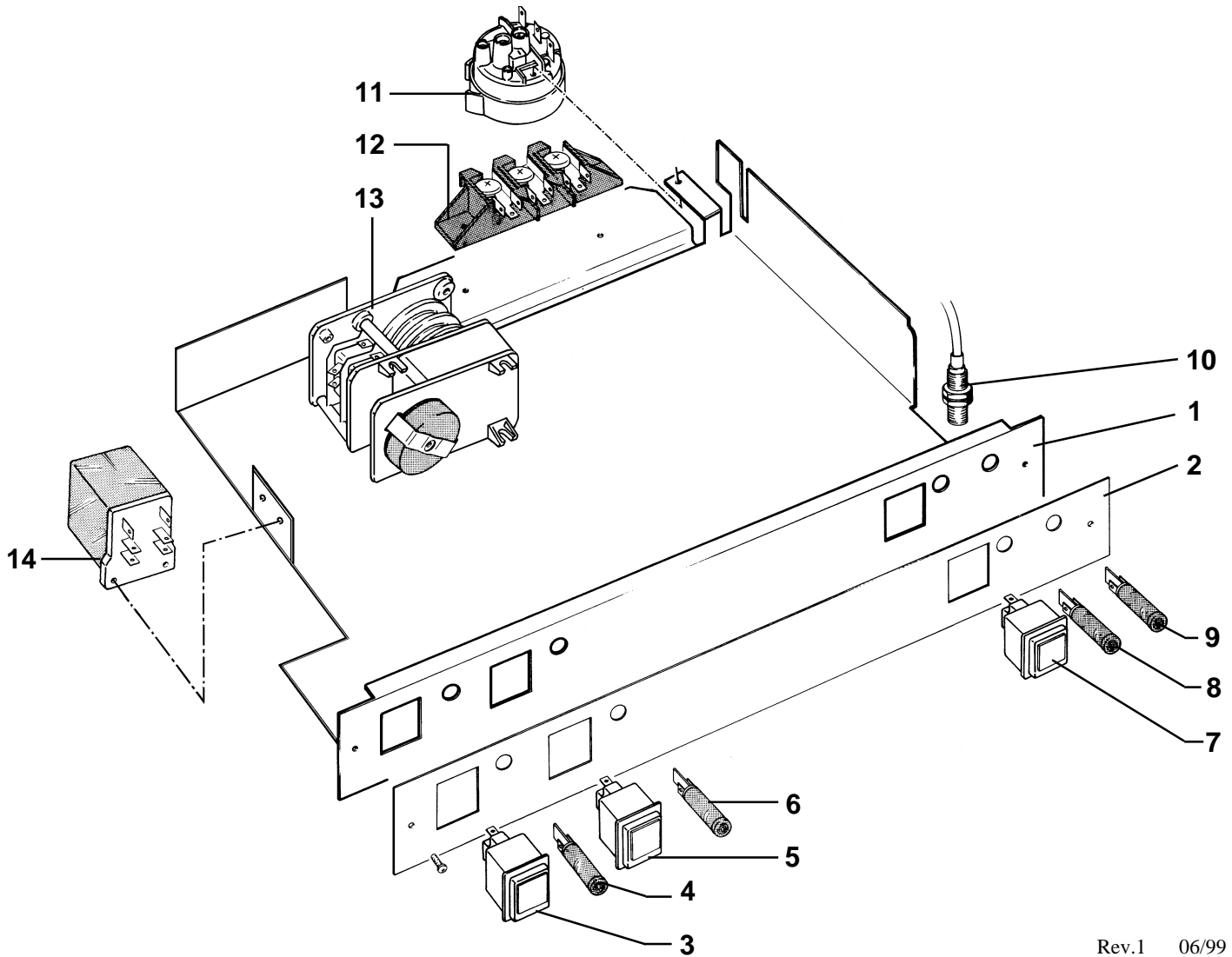
Rev.1 06/99

Pos	COD.	DESCRIZIONE	DENOMINATION	DESCRIPTION	BEZEICHNUNG
1	902231	POMPA 0,20 HP	POMPE	PUMP	PUMPE
2	903674	MANICOTTO ASPIRAZIONE	MANCHON D'ASPIRATION	ONLET ELBOW	ANSAUGMUFFE
3	902460	FASCETTA 26÷38	COLLIER	CLAMP	SHELLE
4	902441	FASCETTA 38÷50	COLLIER	CLAMP	SHELLE
5	902080	GHIERA 1" 1/4 GAS	VIROLE	LOCK NUT	NUTMUTTER
6	904380	O-RING	O-RING	O-RING	O-RING
7	905380	RACCORDO ASPIRAZIONE	RACCORD ASPIRATION	ONTAKE PIPE FITTING	ANSAUBANSCHLUSS
8	904467	FILTRO	FILTRE	FILTER	FILTER
9	902850	GHIERA	VIROLE	LOCK NUT	NUTMUTTER
10	903737	MANICOTTO MANDATA	MANCHON DE REFALL.	ONLET ELBOW	ANSAUGMUFFE
11	902070	GHIERA	VIROLE	LOCK NUT	NUTMUTTER
12	904350	O-RING	O-RING	O-RING	O-RING
13	901716	COLONNA LAVAGGIO	COLONNE DE LAVAGE	WASHING PIPE	SPÜLLUNG
14	900123	BRACCIO LAVAGGIO SUP.	BRAS DE LAVAGE SUP.	UPPER WASHING PIPE	OBERE SPÜLARM
15	901701	COLLARE PER GETTO	COLLIER POUR JET	COLLAR FOR JET	KRAGEN DÜSE
16	904320	O-RING	O-RING	O-RING	O-RING
17	906440	TAPPO	BOUCHON	PLUG	VERSCHLUSS
18	905394	RACCORDO PER GETTO	RACCORD POUR JET	PIPE FITTING JET	ANSCHLUSS DÜSE
19	908060	DIFFUSORE LAVAGGIO	DIFFUSEUR DE LAVAGE	WASHING SPREADER	WASHDIFFUSOR
20	906070	GETTO LAVAGGIO	JET DE LAVAGE	WASHING JET	WASCHDÜSE
21	900116	BRACCIO LAVAGGIO INF.	BRAS DE LAVAGE INF.	LOWER WASHING PIPE	UNTERE SPÜLARM
22	901704	COLLARE RISCIAQUO	COLLIER DE RINÇAGE	RINSING COLLAR	KRAGENDUSE
23	904392	O-RING	O-RING	O-RING	O-RING
24	908080	DIFFUSORE DI RISCIAQUO	DIFFUSER DE RINÇAGE	RINSING SPREADER	SPÜLDIFFUSOR
25	908090	GETTO RISCIAQUO	JET DE RINÇAGE	RINSING JET	SPÜLDÜSE
26	900146	ASTA DI RISCIAQUO	TIGE DE RINÇAGE	RINSING CONNECTION ROD	SPULSTAB
27	903410	GUARNIZIONE	JOINT	GASKET	DICHTUNG
28	902100	GHIERA 3/8" GAS	VIROLE	LOCK NUT	NUTMUTTER
29	904330	O-RING	O-RING	O-RING	O-RING
30	907920	RACCORDO RISC. FREDDO	RACCORD RINÇ. A FROID	PIPE FITTING COLD RINS.	KALTSPÜLANSCHLUSS
31	902440	FASCETTA Ø 13÷20	COLLIER	CLAMP	SHELLE
32	907360	TUBO IN GOMMA Ø 10x17	TUYAU EN CAOUTCHOUC	RUBBER HOSE	GUMMISCHLAUCH
33	902795	GETTO RISCIAQUO COMP.	JET DE RINÇAGE COMPLET	COMPLETE RINSING JET	KOMPLETTE SPÜLDÜSE
34	902793	GETTO LAVAGGIO COMP.	JET DE LAVAGE COMPLET	COMPLETE WASHING JET	KOMPLETTE WASCHDÜSE



Rev.1 06/99

Pos	COD.	DESCRIZIONE	DENOMINATION	DESCRIPTION	BEZEICHNUNG
1	900011	ALBERO GIRELLO	ARBRE PLATEAU	SHAFT ROTATING BASKET	WELLE DREHVORRICHTUNG
2	903150	GIRELLO	PLATEAU TOURNANT	ROTATING BASKET	DREHVORRICHTUNG
3	902860	GHIERA GIRELLO	FRETTE	RING NUT	NUTMUTTER
4	905349	SUPPORTO GIRELLO	SUPPORT DE PLATEAU	BEARING FOR ROT. BASKET	DREHVORRICHTUNGSWELLE
5	904330	O-RING	O-RING	O-RING	O-RING
6	906060	RONDELLA	RONDELLE	WASHER	UNTERLEGSCHIEBE
7	905900	ROSETTA ELASTICA	RONDELLE ELASTIQUE	RUBBER WASHER	FEDERSCHIEBE
8	902100	GHIERA 3/8"	VIROLE	LOCK NUT	NUTMUTTER



Rev.1 06/99

Pos	COD.	DESCRIZIONE	DENOMINATION	DESCRIPTION	BEZEICHNUNG
1	904676	PANNELLO COMANDI	TABLEAU COMMANDE	ELECTRIC PANEL	SCHALT TafEL
2	907009	TARGA	PLAQUETTE	PLATE	SCHILD
3	905326	INTERRUTTORE ON/OFF	INTERRUPTEUR	SWITCH	DRUCKKNOPF
4	903632	SPIA PREPARAZIONE	LAMPE DE PREPARATION	"PREPARATION" LAMP	KONTROLL. VORBEREITUNG
5	905324	PULSANTE CICLO	BOUTON CYCLE	"CYCLE" PUSH-BUTTON	DRUCKKNOPF "ZYCLUS"
6	903629	SPIA CICLO	LAMPE CYCLE	"CYCLE" LAMP	KONTROLLAMPE "ZYCLUS"
7	905324	PULSANTE RISC. FREDDO	BOUTON RINÇAGEEAFROIDE	COLD RINSE PUSH-BUTTON	DRUCKK. KALTENACHSPULLUNG
8	903629	SPIA RISCIAQUO FREDDO	LAMPERINÇAGEEAFROIDE	COLD RINSE LAMP	KONTR. KALTENACHSPULLUNG
9	903629	LAMPADA BOILER	LAMPE BOILER	BOILER LAMP	WARMWASSERSPEICHERLAMP
10	TR0309	REED MAGNETICO	REED	REED	REED
11	905270	PRESSOSTATO	PRESSOSTAT	PRESSURE SWITCH	DRUCHWAECHTE
12	904140	MORSETTIERA	BORNES	TERMINAL BOARD	KLEMMLEISTE
13	907172	TIMER	TIMER	TIMER	TIMER
14	905474	RELÉ	RELAIS	RELAY	RELAIS