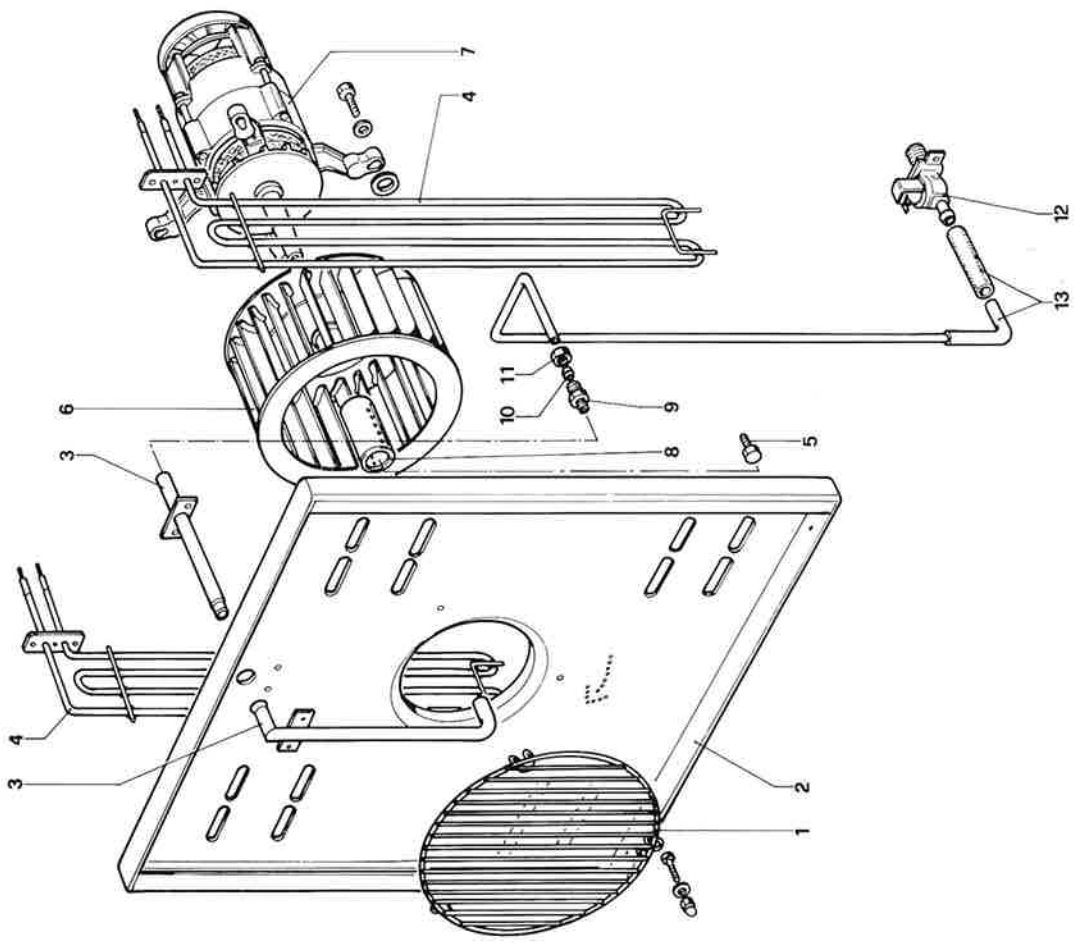
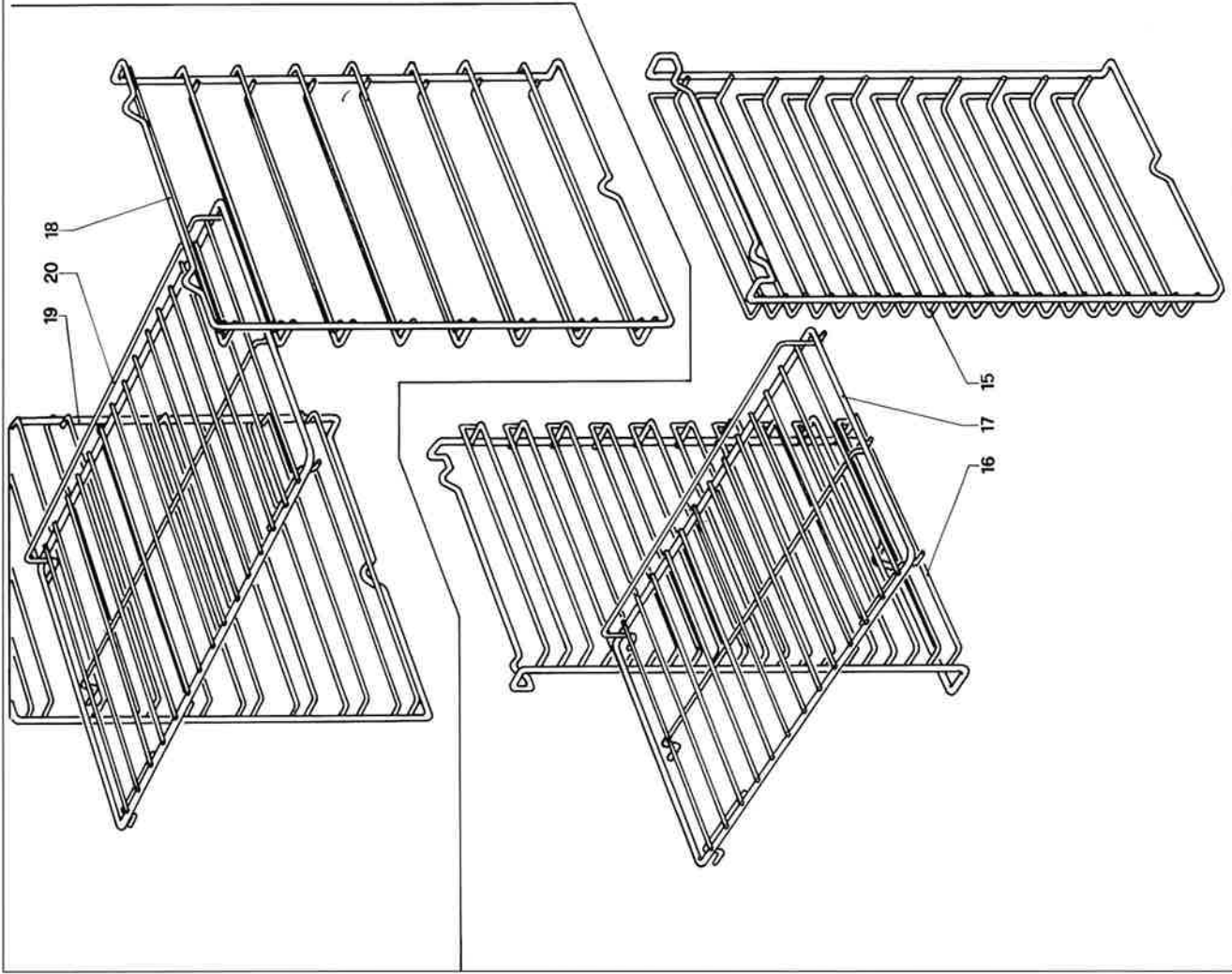


STAR CHEF

TAV. 205

# TAV. 205 STRUTTURA STRUCTURE STRUCTURE STRUKTUR

	Codice	Denominazione	Denomination	Denomination	Bezeichnung	FEC100	FEP080	FEM100/101
1	GAFOC00052	<b>Cassone forno</b>	Caisson du four	Oven body	Ofenshublade	●	●	●
2	RTCU700002	<b>Attacco griglia laterale</b>	Attaque latérale	Lateral connection	Seitenanschluss	●	●	●
3	PAFOC00051	<b>Disco scarico condensa</b>	Disque évacuation condensation	Moisture drain disk	Kondenswasserablassscheibe	●	●	●
4	GAFOC00030	<b>Cerniera superiore porta</b>	Charnière supérieure	Upper hinge	Linke Türangel	●	●	●
5	GAFOC00031	<b>Cerniera inferiore porta</b>	Charnière inférieure	Lower door hinge	Untere Türangel	●	●	●
6	MPGOM03P00	<b>Guarnizione vetro porta</b>	Guarniture porte	Oven door gasket	Türdichtung	●	●	●
7	GAFOC00049	<b>Porta forno</b>	Porte du four	Oven door	Ofentür	●	●	●
8	RTFOC00065	<b>Cristallo porta forno</b>	Verre porte four	Oven door glass	Ofentürglas	●	●	●
9	RTFOC00007	<b>Maniglia serratura</b>	Poignée porte four	Oven door handle	Ofentürgriff	●	●	●
10	PAFOC00064	<b>Controporta forno</b>	Contre porte du four	Oven counter door	Gegentür	●	●	●
11	PAFOC000063	<b>Protezione serratura porta</b>	Protection de la serrure	Lock guard	Schlosschutz	●	●	●
12	PAFOC00039	<b>Prolunga sinistra facciata</b>	Rallonge gauche facade	Left facade extension	Verlängerung Linke Front	●	●	●
13	RTFOC00094	<b>Guarnizione porta forno</b>	Guarniture porte du four	Oven door gasket	Türdichtung	●	●	●
14	GAFOC00048	<b>Cassetto</b>	Tiroir	Drawer	Kasten	●	●	●
15	PAFOC00181	<b>Traversa antigoccia</b>	Traverse anti-goutte	Anti-drip crosspiece	Tropfschutzquerstange	●	●	●
16	PAFOC00038	<b>Prolunga destra facciata</b>	Rallonge droite facade	Right facade extension	Verlängerung Rechte Front	●	●	●
17	PAFOC00025	<b>Coprilana inferiore</b>	Panneau couvre isolant	Insulating panel cover	Isoliermaterialverkleidung	●	●	●
18	PACU800150	<b>Pannello isolante</b>	Panneau isolant	Insulating panel	Isoliertafel	●	●	●
19	GAFOC00040	<b>Basamento</b>	Soubassement	Base	Untergestel	●	●	●
20	GAFOC00055	<b>Cruscotto</b>	Panneau de contrôle	Control panel	Stirnbrett	●	●	●
21	RTFOC00035	<b>Micrinterruttore</b>	Microswitch	Microswitch	Microswitch	●	●	●
22	PAFOC00066	<b>Coprilana destro</b>	Panneau couvre isolant	Insulating panel cover	Isoliermaterialverkleidung	●	●	●
23	RTFOC00051	<b>Piedino</b>	Pied	Foot	Inos-Fuss	●	●	●
24	PAFOC00068	<b>Fianco inox</b>	Côté inox	Inox side	Inox-Seite	●	●	●
25	GAFOC00053	<b>Supporto ventola</b>	Support ventilateur	Fan support	Lautradsupport	●	●	●
26	PAFOC00026	<b>Coprilana inf. posteriore</b>	Panneau couvre isolant	Insulating panel cover	Isoliermaterialverkleidung	●	●	●
27	PAFOC00067	<b>Coprilana posteriore</b>	Panneau couvre isolant	Insulating panel cover	Isoliermaterialverkleidung	●	●	●
28	GAFOC00089	<b>Posteriore inox</b>	Panneau postérieur inox	Inox back panel	Inox-Rückwand	●	●	●
29	PAFOC00065	<b>Coprilana sinistro</b>	Panneau couvre isolant	Insulating panel cover	Isoliermaterialverkleidung	●	●	●
30	PAFOC00137	<b>Protezione comp. elettrici</b>	Protection composant électriques	Electrical components guard	Schutz elektrischen Komponenten	●	●	●
31	PAFOC00140	<b>Coprilana superiore</b>	Panneau couvre isolant	Insulating panel cover	Isoliermaterialverkleidung	●	●	●
32	GAFOC00103	<b>Coperchio</b>	Couvercle	Cover	Topfdeckel	●	●	
32	GAFOC00090	<b>Coperchio</b>	Couvercle	Cover	Topfdeckel			●
33	GAFOC00051	<b>Serratura porta forno</b>	Serrure porte four	Over door lock	Ofentürschloss	●	●	●
34	RTFOC00057	<b>Zoccolo centrale serratura</b>	Prise centrale serrure	Central connection lock	Mittlerer Anschluss	●	●	●
35	RTFOC00005	<b>Zoccolo esterno serratura</b>	Prise extérieure serrure	External connection lock	Ausserer Anschluss	●	●	●
36	RTFOC00009	<b>Gancio fisso serratura</b>	Crochet fixe de la serrure	Lock fixed hook	Fester Schlossnaken	●	●	●
37	RTBF800021	<b>Gommino porta forno</b>	Bouchon de la porte	Door rubber cap	Türgummi	●	●	●
38	RTFOC00202	<b>Guarnizione portalampada</b>	Garniture	Gasket	Dichtung	●	●	●
39	RTFOC00201	<b>Vetro portalampada</b>	Verre protège ampoule	Lamp-holden glass	Leuchtenhalterungsglas	●	●	●
40	RTFOC00037	<b>Lampada 25W 220V.</b>	Ampoule 25W 220V	Lamp 25W 220V	Leuchte 25W 220V	●	●	●
41	RTFOC00036	<b>Portalampada</b>	Douille	Lamp-holder	Leuchtenhalterung	●	●	●
42	RTFOC00078	<b>Asta posteriore scarico cond.</b>	Antenne arriere	Rear rod	Hinterere stange	●	●	●
43	RTFOC00079	<b>Asta trasversale scarico cond.</b>	Antenne transversale	Transverse rod	Querstange	●	●	●
44	RTFOC00056	<b>Manopola scarico condensa</b>	Manette évacuation condens.	Moisture drain knob	Drehknopf Kondenswasserablass	●	●	●
45	RTFOC00080	<b>Asta anteriore scarico cond.</b>	Antenne avant	Front/rod	Vordere stange	●	●	●
46	RTFOC00116	<b>Tube di collegamento infer.</b>	Tuyan de branchement inférieur	Lower connection hose	Unteres Verbindungsrohr	●	●	●
47	RTFOC00117	<b>Tube di collegamento poster.</b>	Tuyan de branchement postérieur	Rear connection hose	Hinteres Verbindungsrohr	●	●	●
48	RTFOC00077	<b>Asta posteriore scarico cond.</b>	Antenne arriere	Rear rod	Hinterere stange	●	●	●
49	RTFOC00075	<b>Rampa scarico condensa</b>	Rampe évacuation condensation	Moisture drain ramp	Kondenswasserablassrampe	●	●	
49	RTFOC00137	<b>Rampa scarico condensa</b>	Rampe évacuation condensation	Moisture drain ramp	Kondenswasserablassrampe			●
50	RTFOC00124	<b>Gomito scarico condensa</b>	Coude évacuation condensation	Moisture drain elbow	Kondenswasserablasskniestück	●	●	●



STAR CHEF

TAV. 206



