

cookmax+



start!

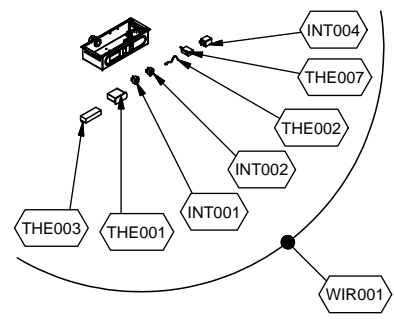
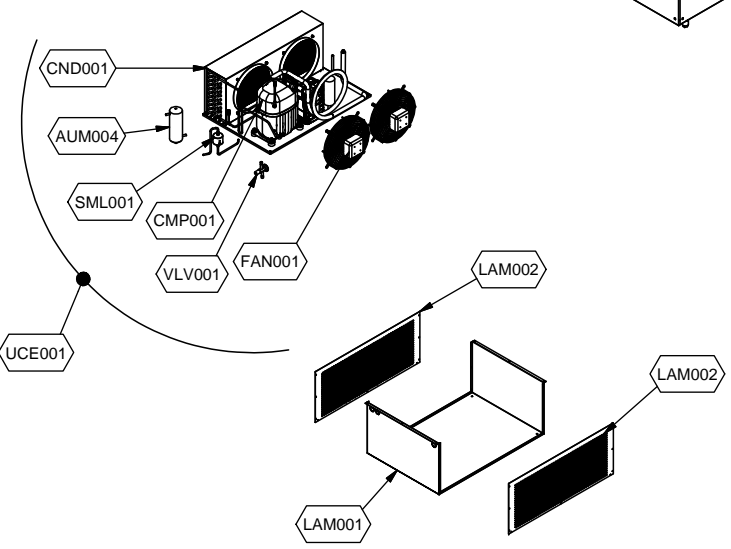
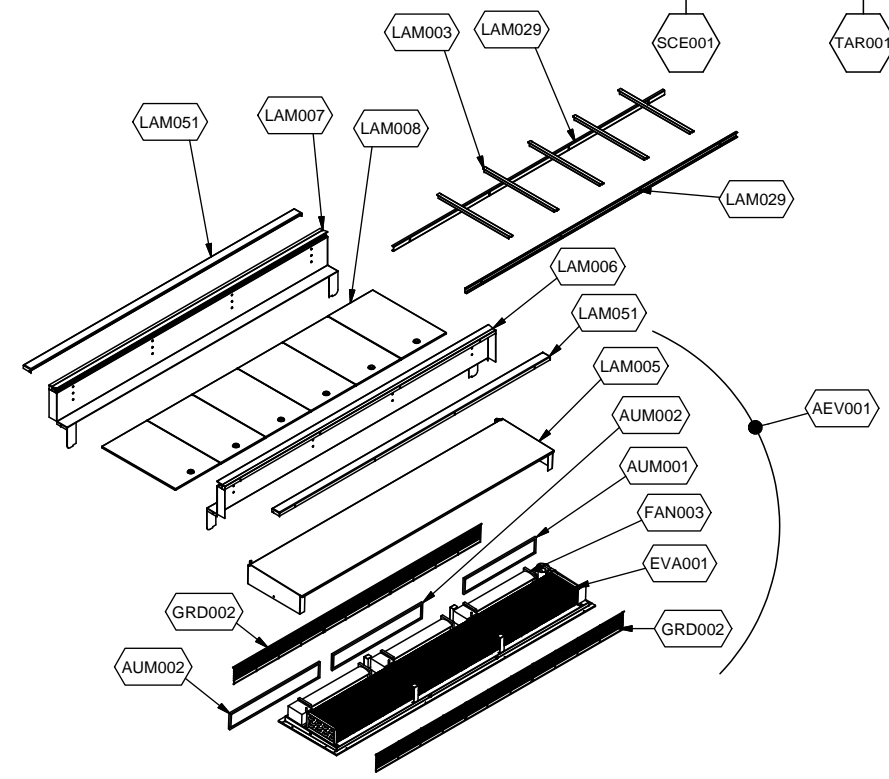
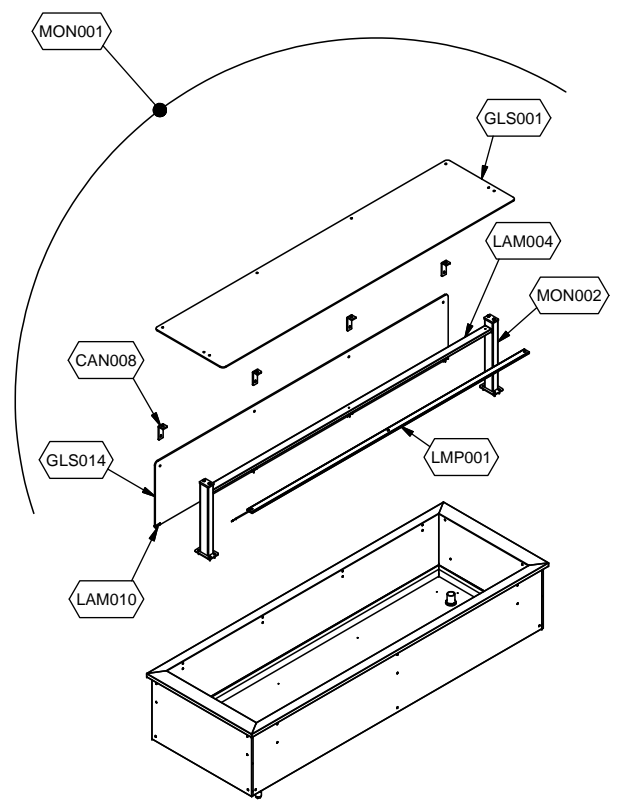
Kühlung Drop-in Element, gekühlte Wanne mit Umluft

Artikel-Nr.
90651228 (9DRBL6FIF0A05 / SOUL SERVICE BLUE 6)

Explosionszeichnung / Ersatzteile

Bitte bei Ersatzteilbestellung immer Artikelnummer und Seriennummer mit angeben!

	PARAM.	OPTIONAL
⚡		
	TAR001	OPT



Exploded View

Validity: 08/04/2016

9DRBL6FIFOA05	SOUL BLUE 6I VASCA REF.VENT S.LED.FRO
ESP361-01	SOUL SERVICE BLUE 5-6 INCORPORATO

Ref. Drawing	Code	Description
AEV001	73688958	ASS.EVAP.VETRINA RINF.DROP-IN 6/1
AUM001	74837150	FILTRO ARIA EVAP.VENT DROP-IN 2/1
AUM002	74837154	FILTRO ARIA EVAP.VENT DROP-IN 5-6/1
AUM004	74700708	SERBATOIO VERT.L.0,58(65/204VS00)
CAN008	74702120	FISSACRIST.SQUADRA PLEXIGLASS
CMP001	74865592	COMPR.CAJ4519Z MBP CSCR 230V/50HZ R404A
CND001	74837119	CONDENS.700X108XH286 11TX5R3/8"PA3.2MM
ECP001	74867088	PARTI ELETTR.COMPR. CAJ4519Z
EVA001	74839108	EVAP.VENT.RINF.DROP-IN 6/1
FAN001	74845180	VENTIL.FMI WE5G25A23M451E+GRIGLIA
FAN003	74845036	VEN.EMMEVI TGA 60/3-420/40 055V 230V 65W
GLS001	72538628	CAPPOT.VETRO DRIT.SOVR.LIGHT 6-1 DROP-IN
GLS014	72538778	VETRO FRONT.SOVR.LIGHT 6-1 DROP-IN SPEC
GRD002	74847198	GRIGLIA EVAP.VENT.RINF.DROP-IN 6/1
INT001	74742008	INT.NERO ON-OFF 16A SH JS-608FA-O-B-6
INT002	74742017	INTERR.ARANC.LAMP 16A B418C1H1X0000 MOLV
INT004	75956088	RELE FINDER 30A 65-31 230V 50-60HZ
LAM001	72539285	LAM.SUPP.UCE ZINC5-6/1 VENTILATO DROP-IN
LAM002	72539289	GRIGLIA AEREAZ.ZINC.VENT.5-6/1 DROP-IN
LAM003	72556044	LAM.SUPP.VASCH.GRBF 151 530*20
LAM004	72539088	LAM.PLAFONIER.SOVRASTR.LIGHT 6-1 DROP-IN
LAM005	72539398	LAM.COP.EVAP.RINF.DROP-IN 6/1
LAM006	73689868	ASS.CONV.ARIA POST.VENT.RINF.6/1 DROP-IN
LAM007	73689878	ASS.CONV.ARIA ANT.VENT.RINF.6/1 DROP-IN
LAM008	74707262	VASSOIO VASCA VENTILATA DROP-IN
LAM010	72557114	LAM.SUP.VETRO FRONT.\LATER. VRX TT
LAM029	72539488	LAM.SUPPORTO VASCHEFFE 6/1 DROP-IN

Ref. Drawing	Code	Description
LAM051	72538518	LAM.COPERT.DEF.VENT.6/1 RIBASS.DROP-IN
LMP001	72539048	LAMPADA A LED SOVRAS.LIGHT 6-1 DROP-IN
MON001	73669068	ASS.SOVR.+FRONT.LIGHT DROP-IN 6-1 VENT.
MON002	72539070	MONTANTE SOVRASTRUTTURA LIGHT DROP-IN
SCE001	SC850	SCHEMA ELETTRICO DROP-IN REFRIG.
SML001	73670196	ASS.FILTRO VENT.RINF.DROP-IN 4-5-6/1
TAR001	RIF.TAR.B05	PARAMETRI DROPIN & BUFFET BLUE & GRAY
THE001	74700881	CENTR.PYAO1C0522-BZ 230V H/C
THE002	74700916	SONDA NTC IKE 3METRI -50/+105°
THE003	74700892	ALIMENTATORE LAMPADA LED MW LPHC18-350MA
THE007	74700954	REGOL.VELOCITA TECNEL TE7310.3/M
UCE001	74861598	UCE CAJ4519Z MBP CSCR R404A DROP-IN 6/1
VLV001	74877103	VALVOLA TLE 2,5 R404A MOP 0 HONEYWEL
WIR001	73669908	ASS.Q.E REF.VENT.DROP-IN