

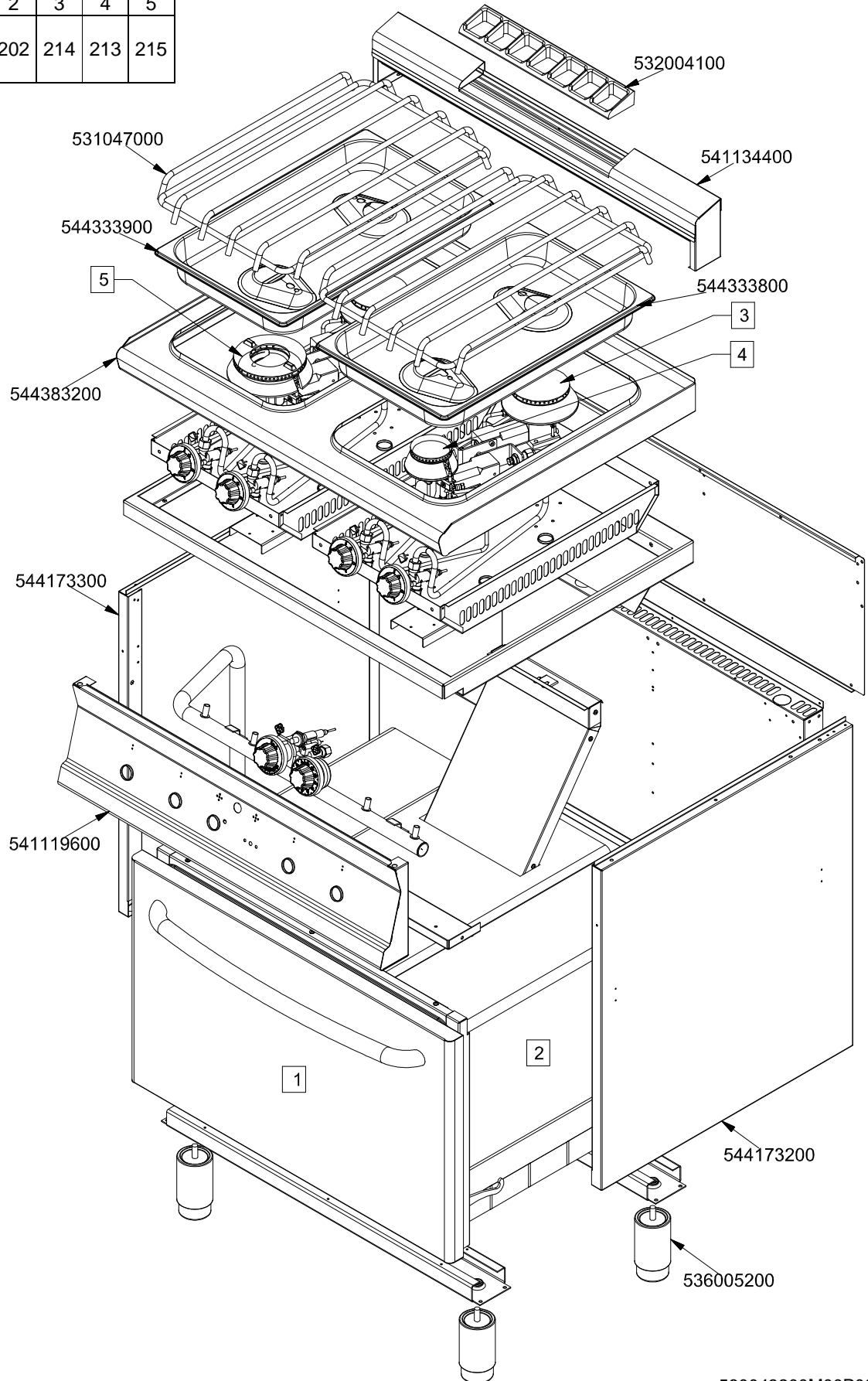
SUPERLOTUS 70≥0602

CUCINE / RANGES / HERDE / CUISINIÈRES

CF...4-78...

CF4-78GP

	1	2	3	4	5
Vedi Pagina See Page Siehe Seite Voir Page Ver Pàgina	206	202	214	213	215



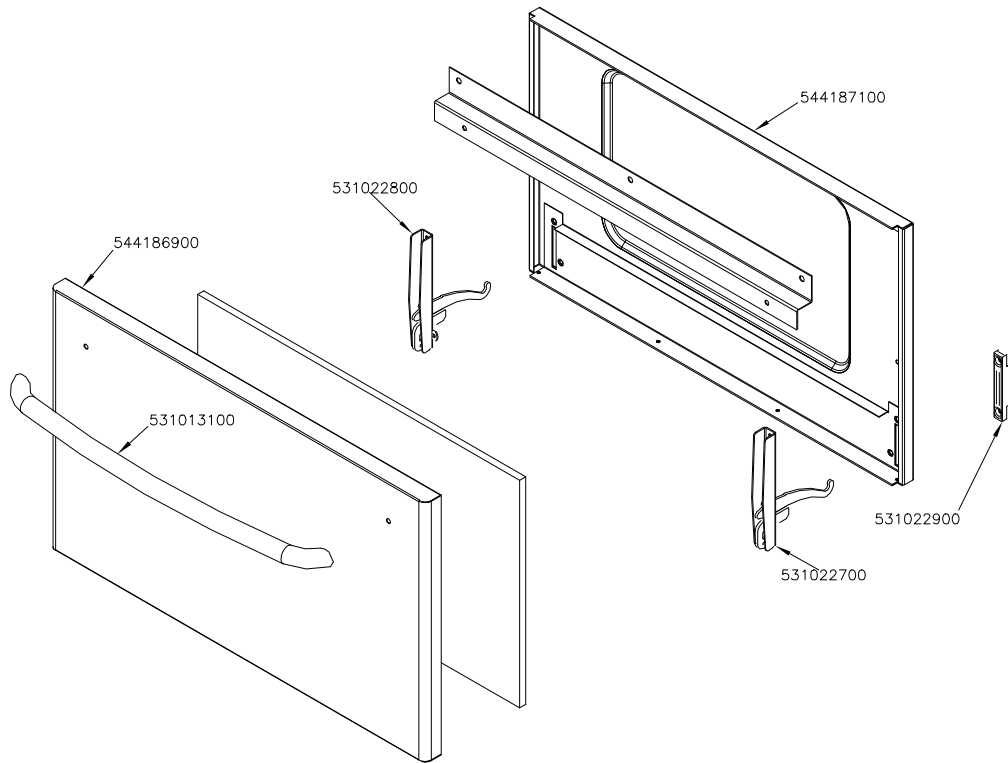
560043200M00P00

SUPERLOTUS 70≥0602

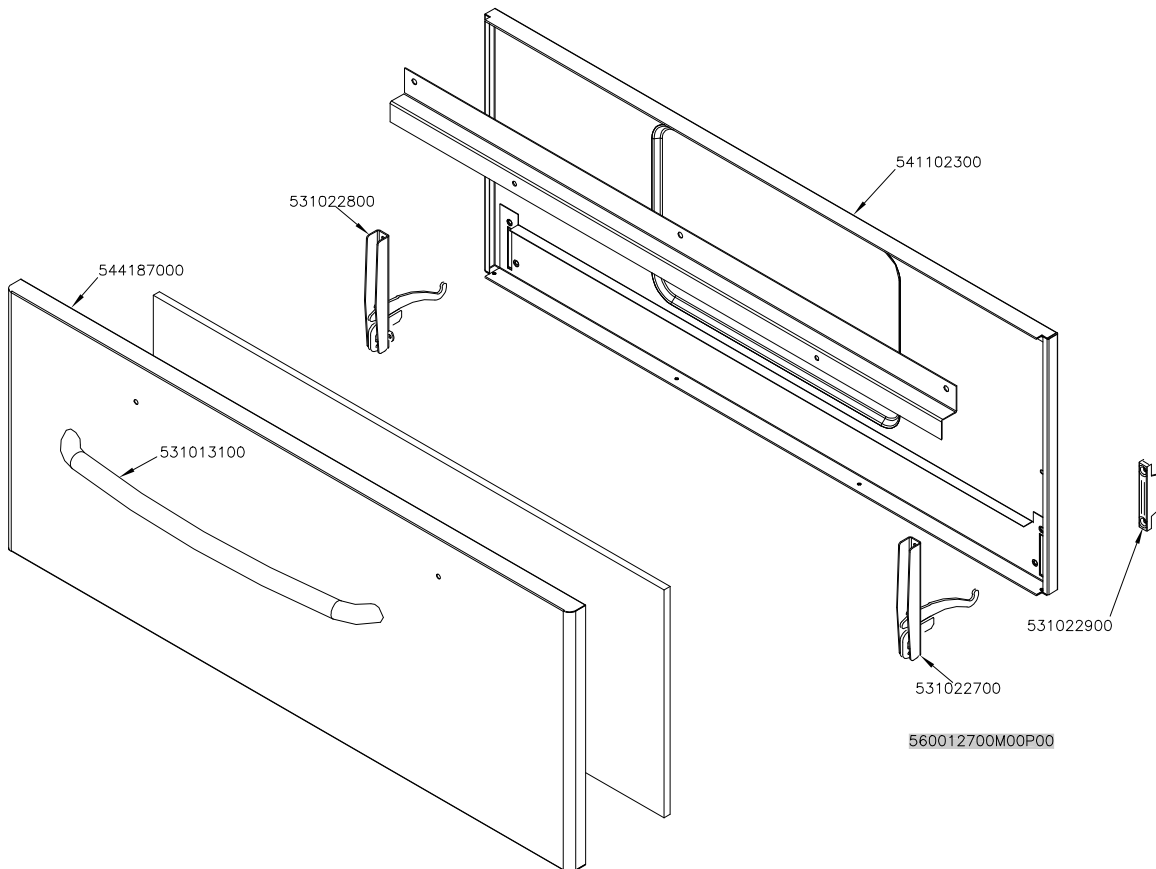
CUCINE / RANGES / HERDE / CUISINIÈRES
FORNO / OVEN / BACKOFEN / FOUR

PORTE / DOORS / TÜREN / PORTES

GN 2/1

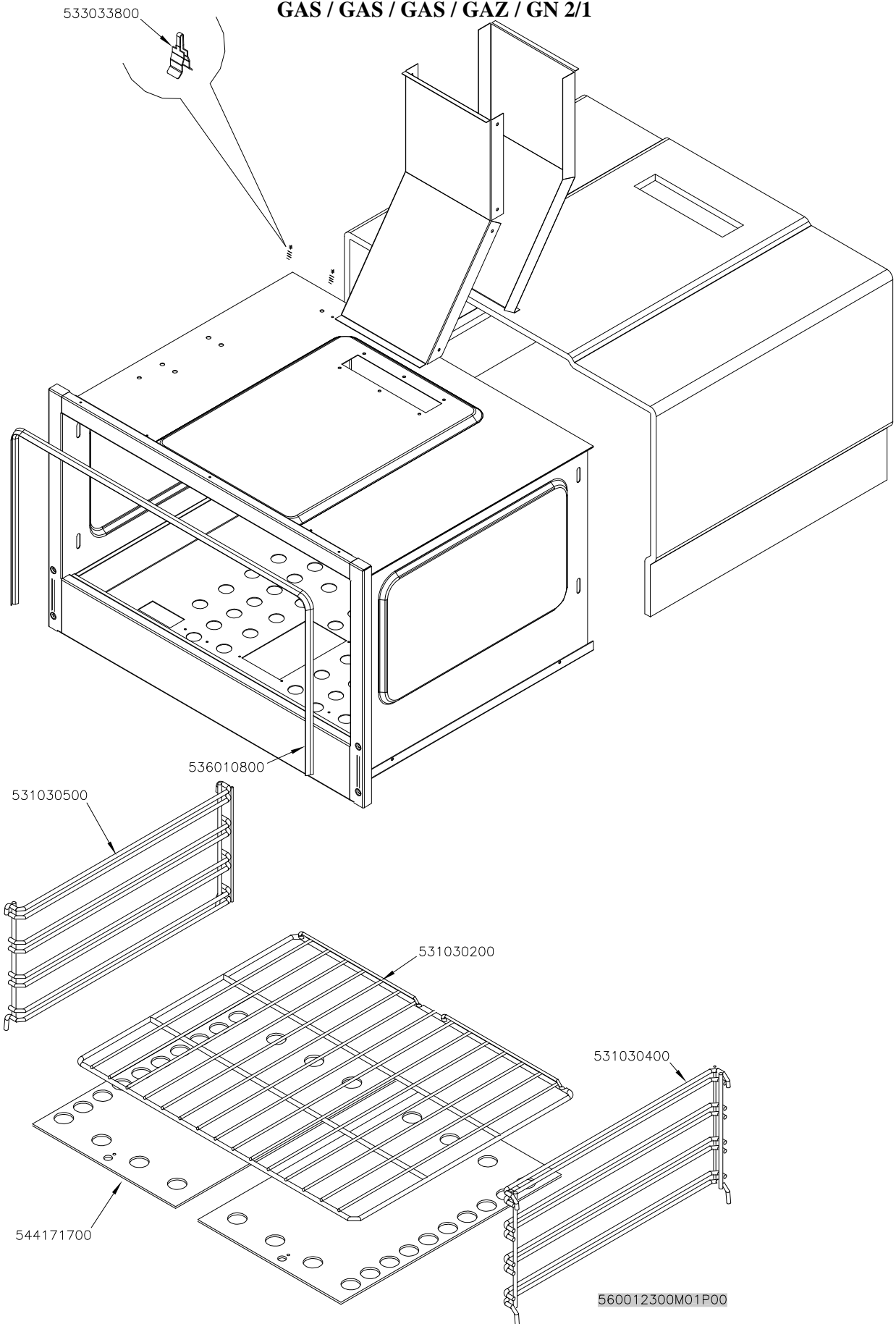


GN 3/1



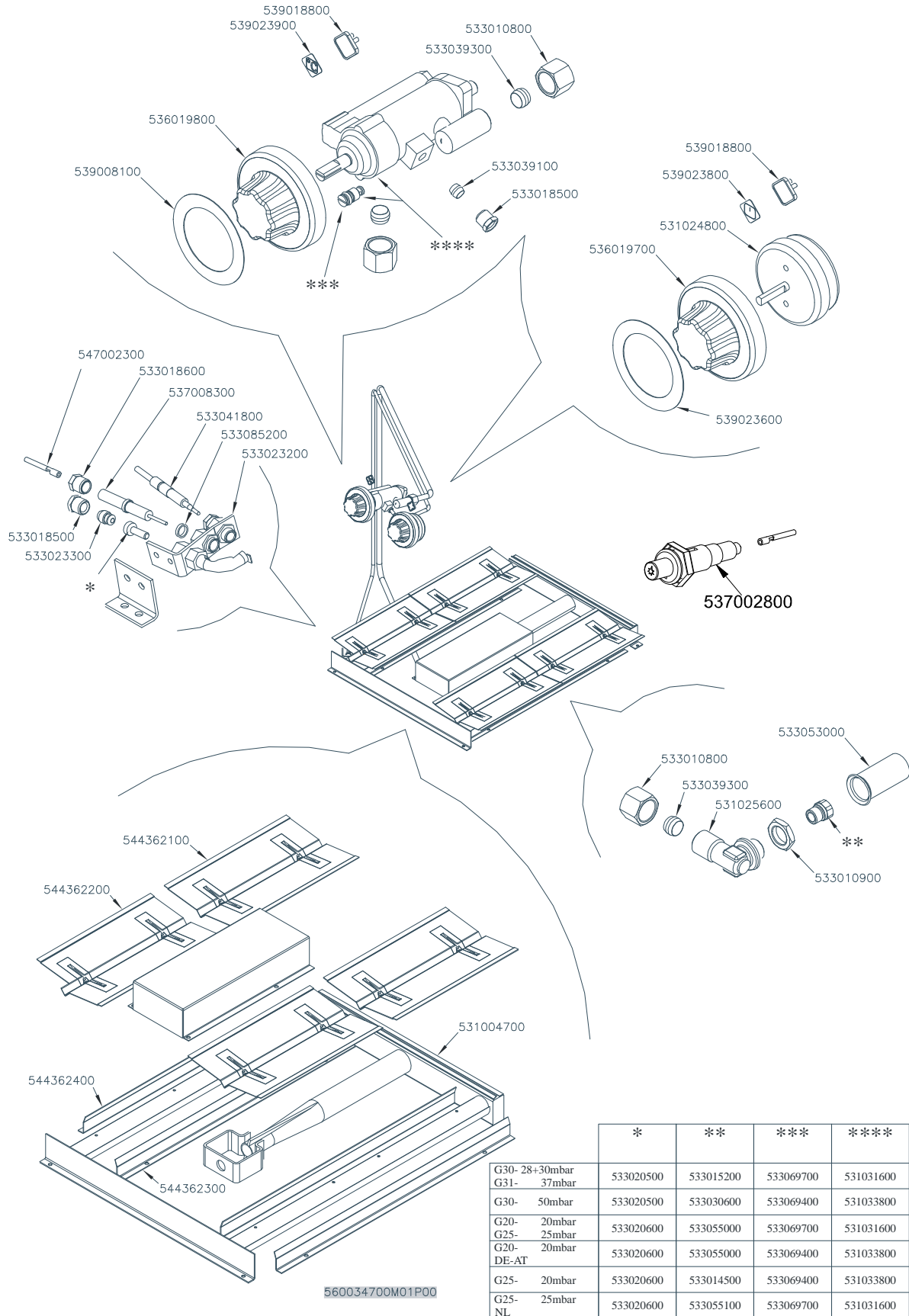
SUPERLOTUS 70≥0602
CUCINE / RANGES / HERDE / CUISINIÈRES
FORNO / OVEN / BACKOFEN / FOUR

GAS / GAS / GAS / GAZ / GN 2/1



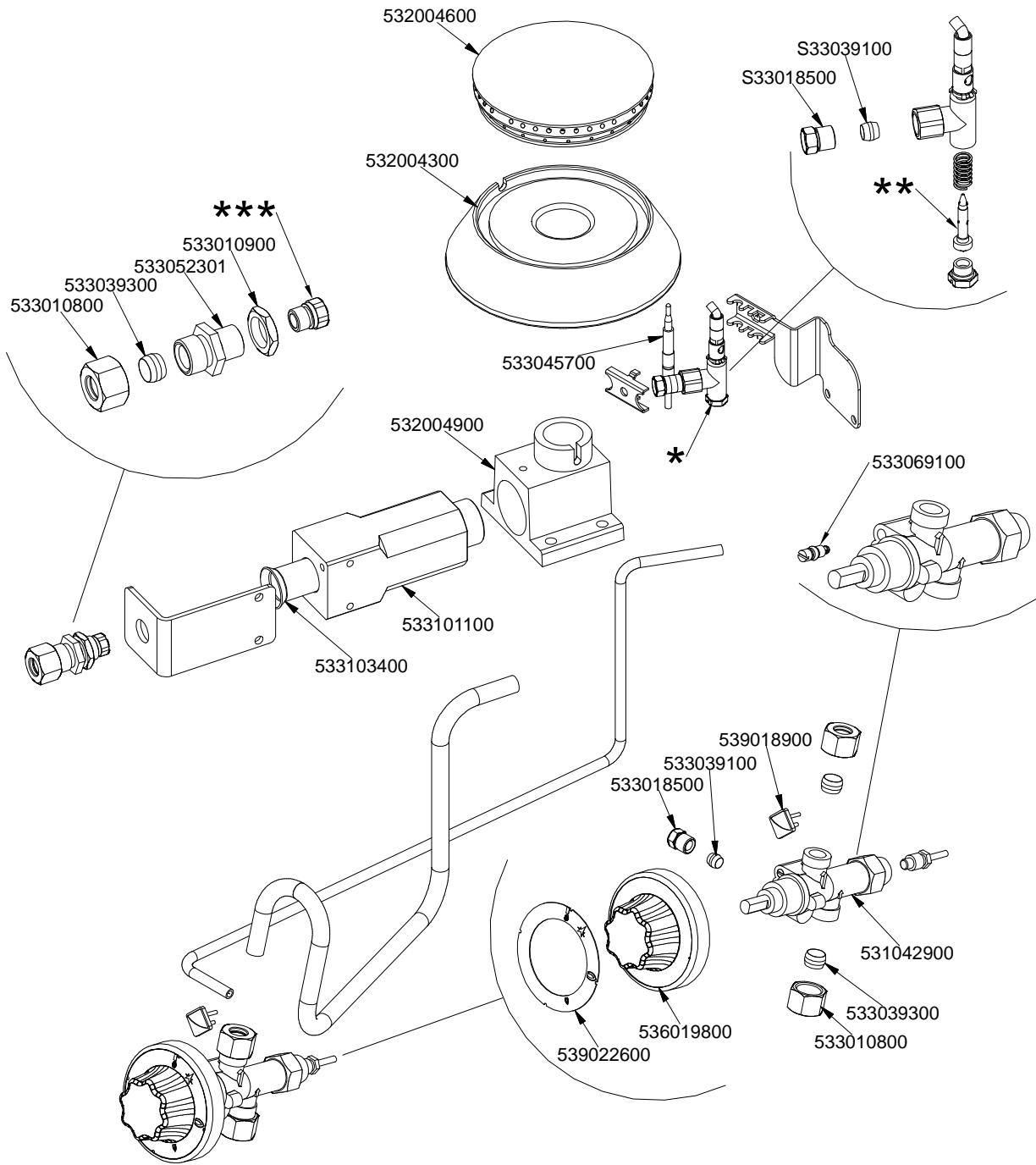
SUPERLOTUS 70≥0602
CUCINE / RANGES / HERDE / CUISINIÈRES
FORNO / OVEN / BACKOFEN / FOUR

GAS / GAS / GAS / GAZ / GN 2/1



	*	**	***	****
G30- 28+30mbar	533020500	533015200	533069700	531031600
G31- 37mbar	533020500	533030600	533069400	531033800
G30- 50mbar	533020600	533055000	533069700	531031600
G20- 20mbar	533020600	533055000	533069400	531033800
G25- 25mbar	533020600	533014500	533069400	531033800
G20- 20mbar	533020600	533055100	533069700	531031600
DE-AT				
G25- 20mbar				
G25- 25mbar				
NL				

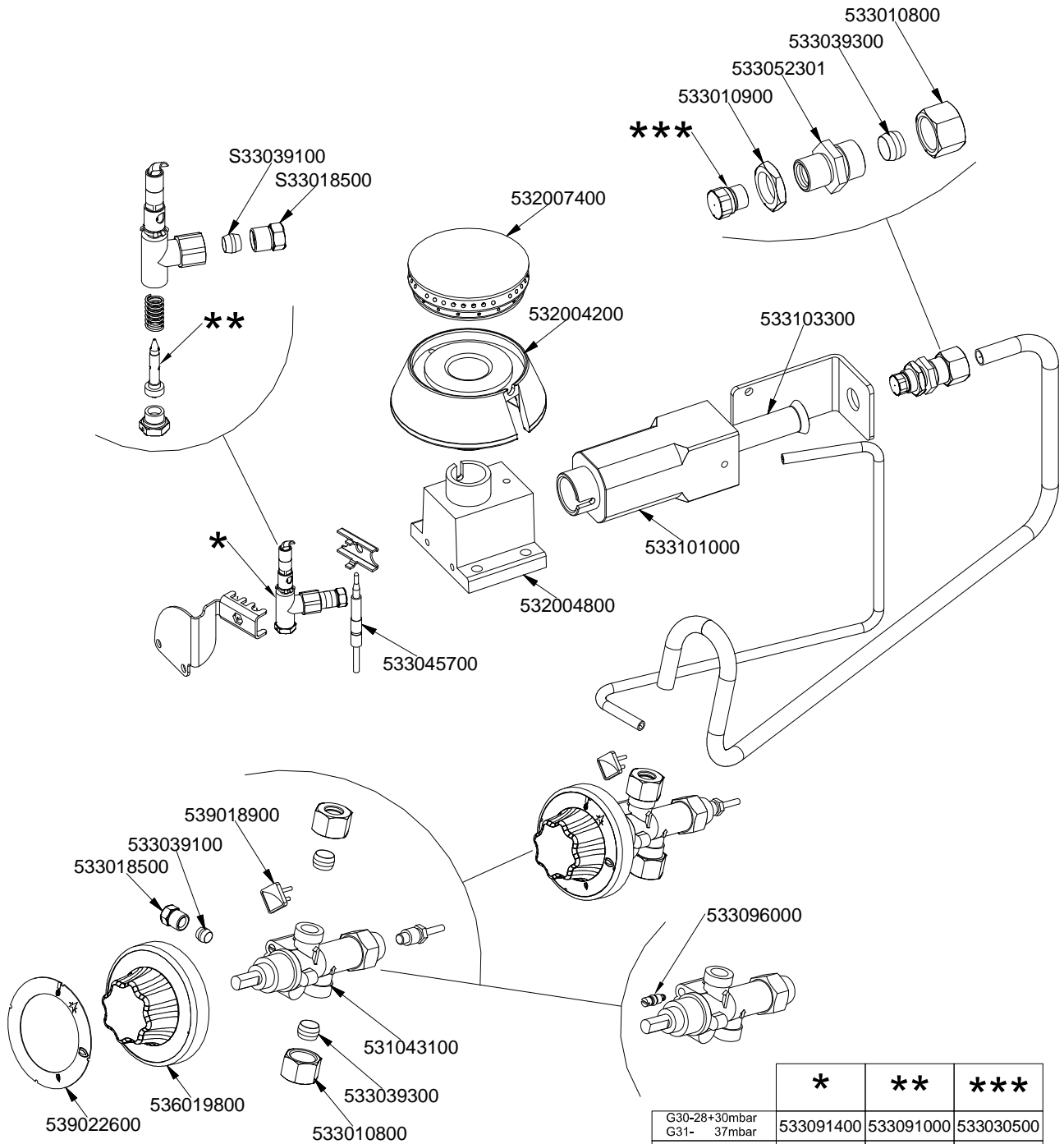
PC-G R



	*	**	***
G30-28+30mbar G31- 37mbar	533091400	533091000	533043900
G30- 50mbar	533091400	533091000	533019300
G20- 20mbar G25- 25mbar	533091500	533091200	533031000
G20- 20mbar DE-AT	533091500	533091200	533031000
G25- 20mbar	533091500	533091200	533043500
G25- 25mbar NL	533091500	533091200	533019400

560038600M00P00

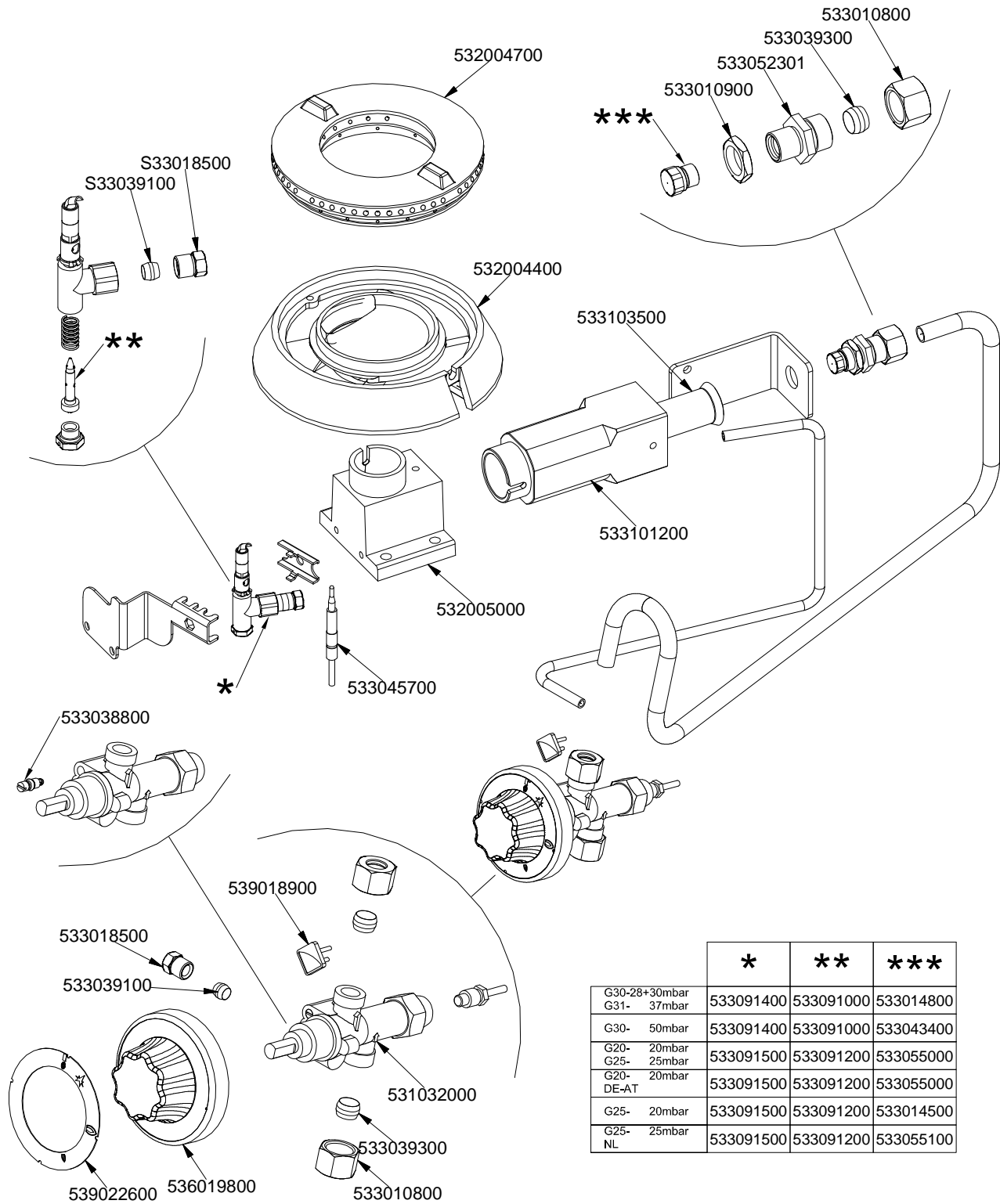
PC-G SR



	*	**	***
G30-28+30mbar G31- 37mbar	533091400	533091000	533030500
G30- 50mbar	533091400	533091000	533015100
G20- 20mbar G25- 25mbar	533091500	533091200	533015200
G20- 20mbar DE-AT	533091500	533091200	533015200
G25- 20mbar	533091500	533091200	533030800
G25- 25mbar NL	533091500	533091200	533014900
G20- 25mbar	533091500	533091200	533014800

560038500M00P00

PC-G UR



	*	**	***
G30-28+30mbar G31- 37mbar	533091400	533091000	533014800
G30- 50mbar	533091400	533091000	533043400
G20- 20mbar G25- 25mbar	533091500	533091200	533055000
G20- 20mbar DE-AT	533091500	533091200	533055000
G25- 20mbar	533091500	533091200	533014500
G25- 25mbar NL	533091500	533091200	533055100

560038700M00P00.

Page	Pos	Code	Description
001		532004100	FLUE GRID L=370 70LINE (RAF)
001		541134400	LOW SPACER 78 1 GRID
001		544333800	BURNER CONTAINER 1/1GN R 304
001		531047000	2 BURNER GRID FOR PC-700
001		544333900	BURNER CONTAINER 1/1GN R 304
001		544383200	UPPER PLATE PC-78GP CF4-78GP/GPE
001		544173300	LEFT SIDE PANEL RANGE S.70
001		541119600	FRONT PANEL CF4-98G
001		544173200	RIGHT SIDE PANEL RANGE S.70
001		536005200	INOX LEG 2" 120-180 M10
002		531013100	OVEN DOOR HANDLE OF 70/90-LINE
002		544186900	OVEN DOOR GN 2/1 S.70
002		531022800	LEFT OVEN DOOR HINGE S.70
002		544187100	OVEN INNER DOOR GN 2/1 S.70
002		531022900	HINGE DOOR WHEEL HOLDER S.70
002		531022700	RIGHT OVEN DOOR HINGE 70LINE
002		544187000	OVEN DOOR GN 3/1 S.70
002		541102300	GAS OVEN INNER DOOR GN 3/1 S.70
003		533033800	LOCK SPRING FOR BULB §6
003		536010800	OVEN GASKET GN 2/1 (1261)
003		531030500	LHD SUPPORT GRID FOR OVEN OF 70LINE
003		531030200	OVEN GRID GN 2/1 FOR 70 LINE
003		531030400	RHD SUPPORT GRID FOR OVEN OF 70LINE
003		544171700	BOTTOM FOR GAS OVEN GN2/1 700LINE
004		539018800	INDEX FOR OVEN KNOB
004		539023900	SIGN PLATE FOR OVEN TEMPERATURE
004		536019800	BLACK KNOB §70 PIN §8*6,5
004		539008100	ADHESIVE GRADUATED DISC FOR KNOB
004		533010800	TUBE NUT D.10 M16*1,5
004		533039300	BICONE §10
004		533039100	BICONE §6
004		533018500	FITTING FOR BICONE D.6 M10*1
004		539023800	SIGN PLATE FOR OVEN TIMER
004		531024800	TIMER 120'- 360°
004		536019700	BLACK KNOB §70 PIN §6*5
004		539023600	ADHESIVE GRADUATED DISC FOR KNOB
004		547002300	HIGH-VOLTAGE CABLE §2 L=1900
004		533018600	PLUG FITTING
004		537008300	ROUND PLUG §2,4- LONG ELECTRODE
004		533041800	THERMOCOUPLE 1500 M9*1
004		533085200	
004		533023200	"TARGET" PILOT + NIPPLE TC BRAC.90°
004		533023300	BICONE §6 ("TARGET" PILOT)
004		537002800	PIEZOELECTRIC IGNITION M18
004		533053000	AIR ADJUSTMENT BUSHING §18
004		531025600	ELBOW 90° NOZZLE-HOLDER §10 PIPE
004		533010900	NUT M14*1 H.4
004		544362100	UPPER BURNER DEFLECTOR FOR OVEN 70
004		544362200	UPPER PILOT DEFLECTOR FOR OVEN 70
004		531004700	BURNER FOR OVEN GN 2/1 S.70
004		544362400	SIDE PILOT DEFLECTOR FOR OVEN 70

Page	Pos	Code	Description
004		544362300	SIDE BURNER DEFLECTOR FOR OVEN 70
004		533020500	NOZZLE 0.140 §19
004		533015200	NOZZLE §145 CH12*14 F-FP/CP6
004		533069700	BY PASS COCK §075 25ST
004		531031600	HORIZON.THERMOSTATIC TAP BY-PASS 75
004		533030600	NOZZLE §125 CH12*14
004		533069400	BY PASS COCK §065 25ST
004		531033800	HORIZON.THERMOSTATIC TAP BYPASS §65
004		533020600	NOZZLE 0.140 §27
004		533055000	NOZZLE §205 CH12*14 G25 CW4
004		533014500	NOZZLE §225 CH12*14 OVEN GN 2/1
004		533055100	NOZZLE §215 CH12*14 L-CW4
005		533039100	
005		533018500	
005		532004600	BURNER COVER RING R D104
005		532004300	MIDDLE BURNER BODY 70LINE P.
005		533010900	NUT M14*1 H.4
005		533052301	JOINT FOR NOZZLE HOLDER
005		533039300	BICONE §10
005		533010800	TUBE NUT D.10 M16*1,5
005		533045700	THERMOCOUPLE M9*1 500
005		532004900	ELBOW FITTING OF BURNER VENTURI R
005		533069100	BY PASS COCK §60 20S
005		533101100	BURNER VENTURI R
005		533103400	AIR ADJUSTMENT BUSHING D20 EST.H57
005		539018900	INDEX FOR KNOB
005		533039100	BICONE §6
005		533018500	FITTING FOR BICONE D.6 M10*1
005		531042900	B.PASS §60 SAFETY COCK PC/CF 90
005		536019800	BLACK KNOB §70 PIN §8*6,5
005		539022600	GRADUATED STICKER FOR KNOB
005		533091400	P.NOZZLE S100 UG.§20 PC90 LPG-FLUS
005		533091000	NOZZLE 0.100 §20
005		533043900	NOZZLE §115 CH12*14 F-CW4
005		533019300	NOZZLE §100 G-FQ5 F-CW
005		533091500	PILOT NOZZLE S.100 §30 PC90 NAT.GAS
005		533091200	PILOT NOZZLE 0100 Ø35 PIL.PC
005		533031000	NOZZLE §175 CH12X14
005		533043500	NOZZLE §190 CH12*14 G25 PC4R
005		533019400	NOZZLE §180 CH12*14 L-FQ5
006		533010800	TUBE NUT D.10 M16*1,5
006		533039300	BICONE §10
006		533052301	JOINT FOR NOZZLE HOLDER
006		533010900	NUT M14*1 H.4
006		533039100	
006		533018500	
006		532007400	
006		532004200	SMALL BURNER BODY 70LINE P.
006		533103300	AIR ADJUSTMENT BUSHING D16 EST.H57
006		533101000	BURNER VENTURI SR
006		532004800	ELBOW FITTING OF BURNER VENTURI SR

Page	Pos	Code	Description
006		533045700	THERMOCOUPLE M9*1 500
006		533096000	§50 BY-PASS COCK 20S-21S
006		539018900	INDEX FOR KNOB
006		533039100	BICONE §6
006		533018500	FITTING FOR BICONE D.6 M10*1
006		531043100	B.PASS §50 SAFETY COCK PC/CF 70
006		536019800	BLACK KNOB §70 PIN §8*6,5
006		539022600	GRADUATED STICKER FOR KNOB
006		533091400	P.NOZZLE S100 UG.§20 PC90 LPG-FLUS
006		533091000	NOZZLE 0.100 §20
006		533030500	NOZZLE §90 CH12X14 G30/CE
006		533015100	NOZZLE §80 CH12*14 F-FP/CP6
006		533091500	PILOT NOZZLE S.100 §30 PC90 NAT.GAS
006		533091200	PILOT NOZZLE 0100 Ø35 PIL.PC
006		533015200	NOZZLE §145 CH12*14 F-FP/CP6
006		533030800	NOZZLE §155 CH12X14 M-CW
006		533014900	NOZZLE §150 CH12*14 F-FQ5 L-FQ6
006		533014800	NOZZLE §135 CH12*14,0
007		533010800	TUBE NUT D.10 M16*1,5
007		533039300	BICONE §10
007		532004700	BURNER COVER RING UR D128
007		533010900	NUT M14*1 H.4
007		533052301	JOINT FOR NOZZLE HOLDER
007		533018500	
007		533039100	
007		532004400	BIG BURNER BODY 70LINE P.
007		533103500	AIR ADJUSTMENT BUSHING D22 EST.H57
007		533101200	BURNER VENTURI UR
007		532005000	ELBOW FITTING OF BURNER VENTURI UR
007		533045700	THERMOCOUPLE M9*1 500
007		533038800	75 BY-PASS FOR 21S TAP
007		539018900	INDEX FOR KNOB
007		533018500	FITTING FOR BICONE D.6 M10*1
007		533039100	BICONE §6
007		531032000	GAS COCK P.V.BY-PASS Ø075
007		536019800	BLACK KNOB §70 PIN §8*6,5
007		539022600	GRADUATED STICKER FOR KNOB
007		533091400	P.NOZZLE S100 UG.§20 PC90 LPG-FLUS
007		533091000	NOZZLE 0.100 §20
007		533014800	NOZZLE §135 CH12*14,0
007		533043400	NOZZLE §117 CH12*14 G-PC4 UR
007		533091500	PILOT NOZZLE S.100 §30 PC90 NAT.GAS
007		533091200	PILOT NOZZLE 0100 Ø35 PIL.PC
007		533055000	NOZZLE §205 CH12*14 G25 CW4
007		533014500	NOZZLE §225 CH12*14 OVEN GN 2/1
007		533055100	NOZZLE §215 CH12*14 L-CW4