

Pizzeria  
Teigausrollmaschinen

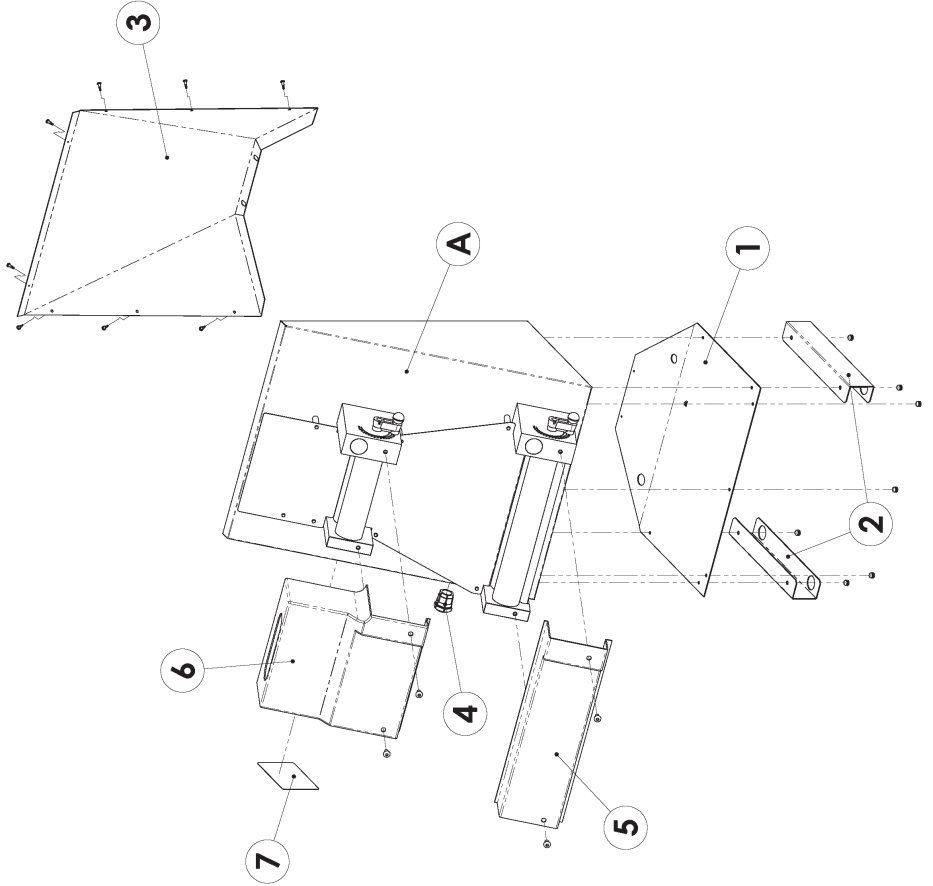
Artikel-Nr. 513001  
(P40TA)

---

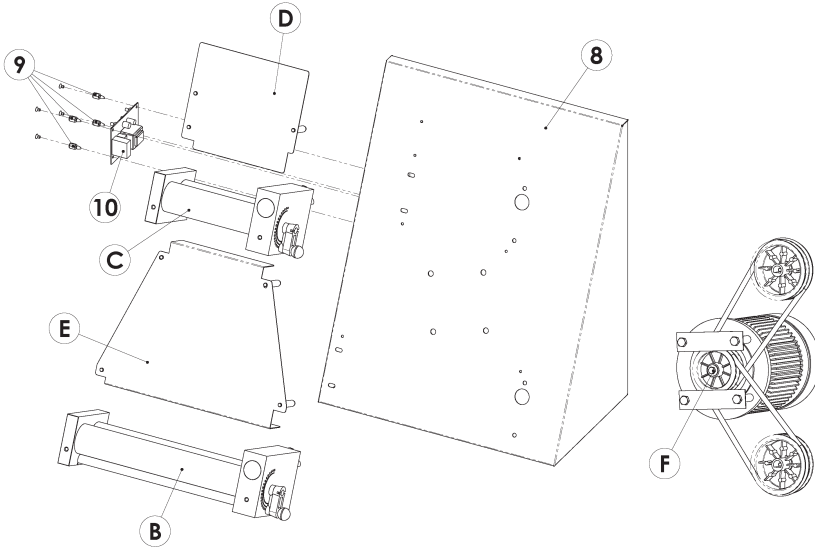
Explosionszeichnung / Ersatzteile

---

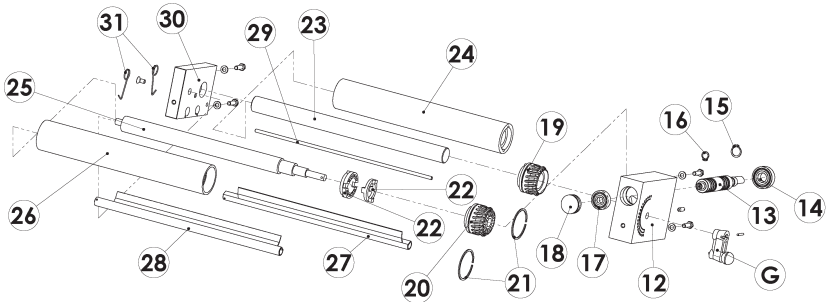
Roll Mach P30TA÷P35TA÷P40TA÷P45TA÷P45HTA



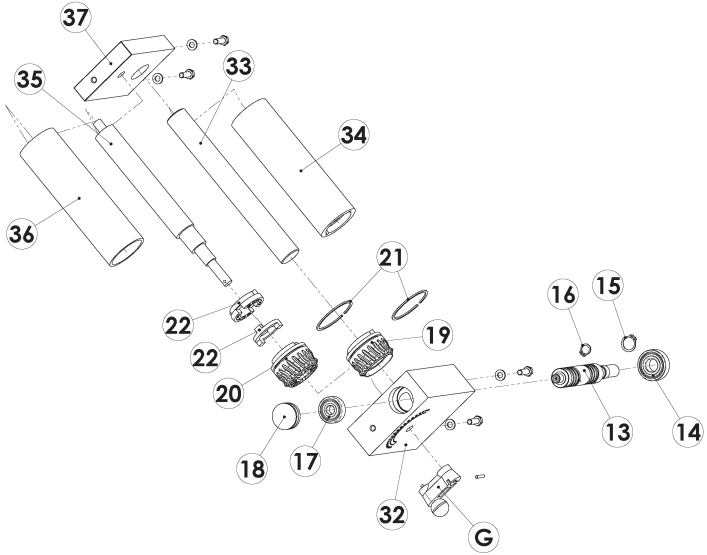
Detail A



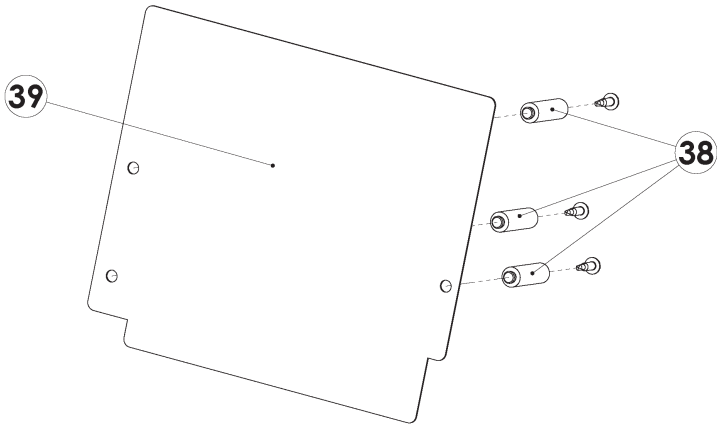
**Detail B**



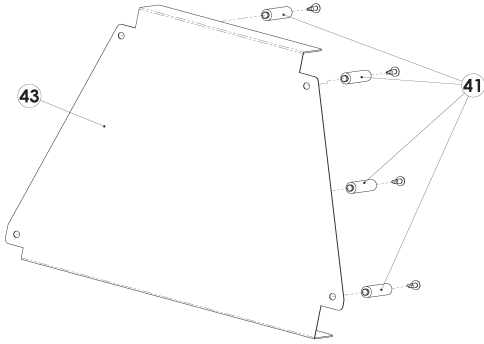
**Detail C**



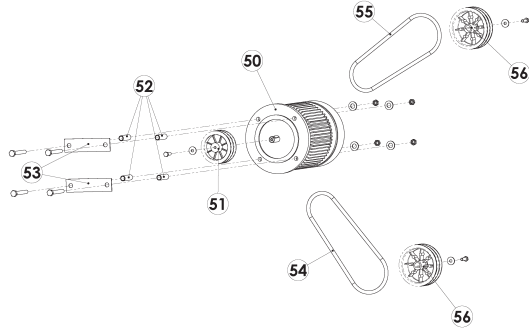
Detail D



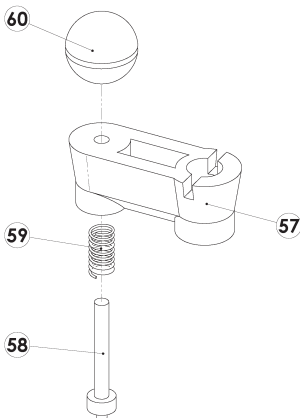
Detail E



**Detail F**



**Detail G**



**Detail H**

MODEL	P30T	P30TA	P35TA	P40T	P40TA	P45TA	P45HTA
POSITION No.	CODE	CODE	CODE	CODE	CODE	CODE	CODE
1	410020	410409	RM00080	410050	410411	RM00080	RM00080
2	410020	410024	410024	410032	410021	4100130	4100130
3		410420	RM00070		4104230	RM00070	RM00070
4	5581000	5581000	5581000	5581000	5581000	5581000	5581000
5	4100070	4100070	4100490	4100450	4100450	4100480	4100480
6	4100060	4100060	4100400	4100380	4100380	4100380	4100380
7	5800370	5800370	5800370	5800370	5800370	5800370	5800370
8	4050010	4100310	RM00060	4050060	4100600	4100620	4100620
9	5320750	5320750	5320750	5320750	5320750	5320750	5320750
10	5310000	5310000	5310000	5310000	5310000	5310000	5310000
11							
12	3004200	3004200	3004200	3004200	3004200	3003570	3003570
13	3003650	3003650	3003650	3003650	3003650	3004350	3004350
14	5093100	5093100	5093100	5093100	5093100	5093100	5093100
15	5203200	5203200	5203200	5203200	5203200	5203200	5203200
16	5203100	5203100	5203100	5203100	5203100	5203100	5203100
17	5093000	5093000	5093000	5093000	5093000	5093000	5093000
18	4203100	4203100	4203100	4203100	4203100	4203100	4203100
19	3203510	3203510	3203510	3203510	3203510	3203510	3203510
20	3203410	3203410	3203410	3203410	3203410	3203410	3203410
21	5003010	5003010	5003010	5003010	5003010	5003010	5003010
22	4203250	4203250	4203250	4203250	4203250	4203250	4203250
23	3004100	3004100	RM00020	3003350	3003350	3004120	3004120
24	3003900	3003900	RM00040	3003950	3003950	3003930	3003930
25	3004000	3004000	RM00030	3004050	3004050	3004110	3004110
26	3003800	3003800	RM00050	3003850	3003850	3003920	3003920
27	4001010	4001010	RM03010	4001030	4001030	4100050	4100050
28	4001020	4001020	RM03000	4001040	4001040	4100060	4100060
29	3100400	3100400	3100410	3100500	3100500	3100600	3100600
30	3004300	3004300	3004300	3004300	3004300	3003560	3003560
31	4000500	4000500	4000500	4000500	4000500	4000500	4000500
32	3003400	3003400	3003400	3003450	3003450	3003450	3003450
33	3003300	3003300	3004150	3004100	3004100	3004100	3004100
34	3003100	3003100	3003150	3003180	3003180	3003180	3003180
35	3003200	3003200	3003250	3004000	3004000	3004000	3004000
36	3003000	3003000	3003050	3003160	3003160	3003160	3003160
37	3003410	3003410	3003410	3003550	3003550	3003550	3003550
38	3002460	3002460	3002460	3002460	3002460	3002460	3002460
39	4050130	4050130	RM00110	4050160	4050160	4050160	4050160
40							
41	3002470	3002470	3002470	3002470	3002470	3002470	3002470
42							
43	4050230	4050230	RM00100	4050260	4050260	4050110	4050110
44							
45							
46							
47							
48							
49							
50	5420200	5420200	5420300	5420300	5420300	5420300	5420310
51	3150080	3150080	3150080	3150080	3150080	3150080	3150080
52	3002400	3002400	3002400	3002400	3002400	3002400	3002400
53	3050810	3050810	3050810	3050810	3050810	3050810	3050810
54	5070050	5070080	5070080	5070050	5070010	5070010	5070010
55	5070160	5070090	5070090	5070220	5070010	5070010	5070010
56	3150030	3150030	3150030	3150030	3150030	3150030	3150030
57	4203000	4203000	4203000	4203000	4203000	4203000	4203000
58	3003700	3003700	3003700	3003700	3003700	3003700	3003700
59	5163010	5163010	5163010	5163010	5163010	5163010	5163010
60	5873100	5873100	5873100	5873100	5873100	5873100	5873100
OPTIONAL	2300020			Pedal PML with cable 2x0.75			



The manufacturer is not liable for any errors or inaccuracies in this manual and reserves the right to make changes to its products at any time and without prior notice that it may deem appropriate for any reason of a technical or commercial nature.