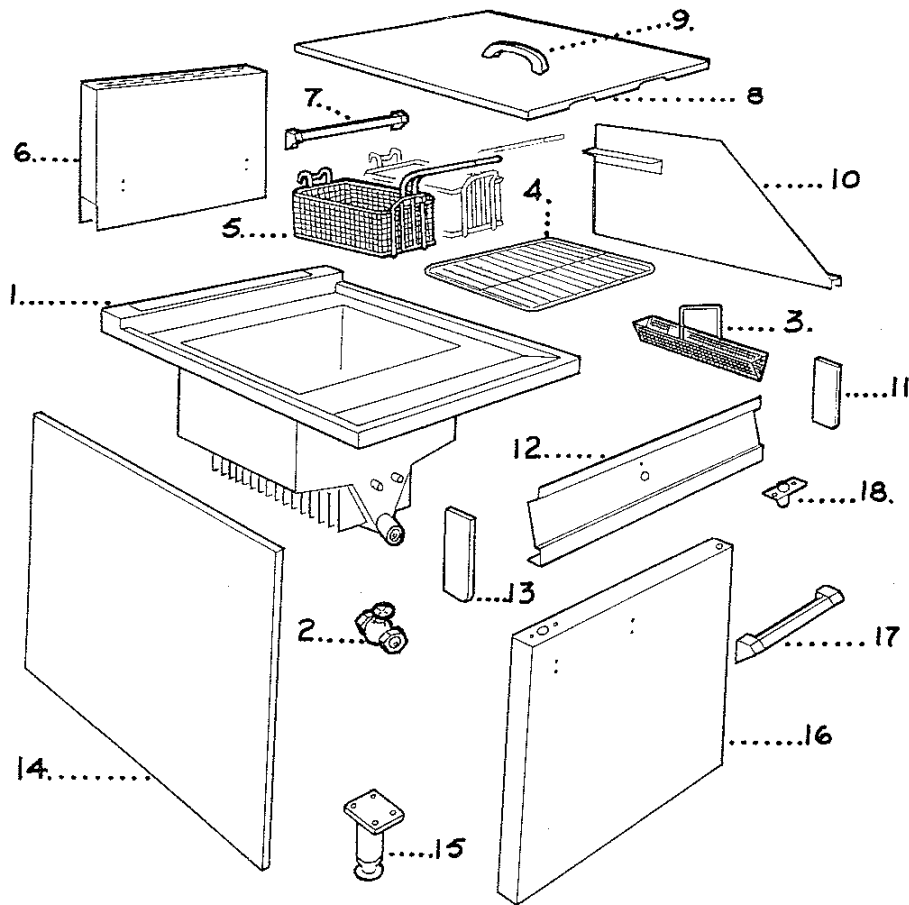


# G1860 Fryer

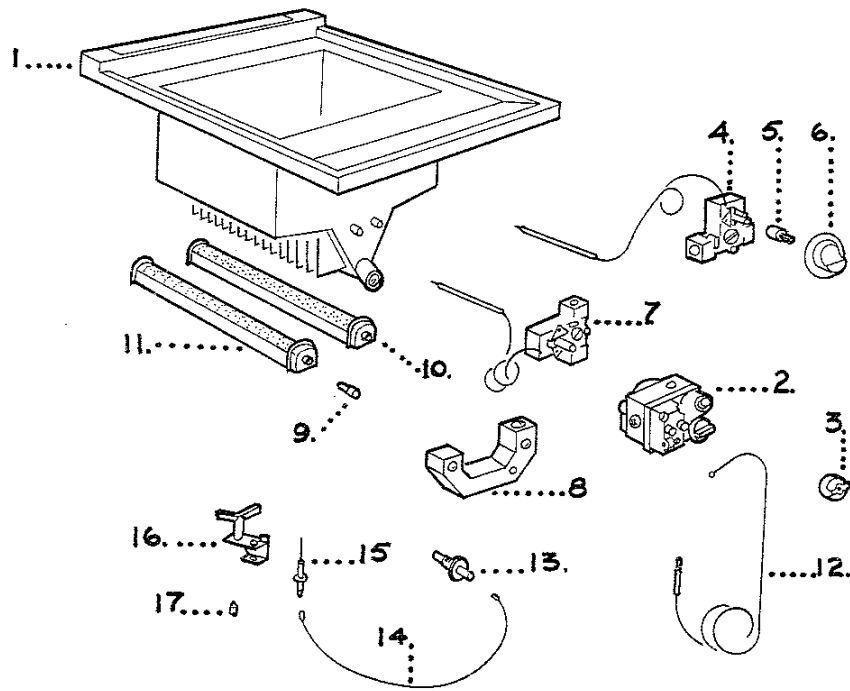


## G1860 Fryer

1		*Pan & Hob
1a	531313000	*Pan & hob c/w insulation (not shown)
2	531313040	Drain valve (Post 28/8/91 531690010)
3	531312020	Strainer
4	531690710	False bottom/Fish grid
5	531312010	Basket
6	531313090	Flue uptake assembly
7	531312000	Basket hanging rail
8	531313062	Dust cover c/w handle
9	531313050	Dust cover handle
10	531313210	Side screen R.H.
10a	531313211	Side screen L.H. (Not shown)
11	530963170	End Cheek R.H.
12	531313300	Control Panel
13	530963160	End Cheek L.H.
14	531303090	Outer side panel L.H.
14a	531303100	Outer side panel R. H. (not shown)
15	531313080	Leg c/w adjustable foot
16	531313072	Door panel
17	531313020	Door handle
18	531313030	Door catch

\* When C.E. Pan is supplied as spare part in lieu, the safety stat must change to the E.G.O. Arrangement. The retro kit for this change is 537300040

# G1860 Fryer



G1860 Fryer Pre 96

1		* Pan & hob
2	531310010	Multifunctional control (Nat. gas)
2a	531310011	Multifunctional control (LPG)
3	<del>531310130</del>	On/Off control knob (M.F.C.)
4	531310100	Operating thermostat
5	531310101	Spindle adapter
6	531310090	Thermostat knob
7	531310110	Safety thermostat
8	531310160	Manifold
9	531310030	Injector Nat. Gas
9a	531310040	Injector L.P. Gas
10	531310021	Burner R.H.
11	531310020	Burner L.H.
12	531310140	Thermocouple
13	531310121	Igniter
14	531310122	Igniter Lead
15	531310120	Igniter Electrode
16	531310050	Pilot burner
17	531310060	Pilot jet (Nat gas)
17a	531310070	Pilot Jet (L.P. Gas)

ROBERT SALAWY  
531300011/13

531310220 MULTI-CONTROL TO SAFETY STAT PIPE.