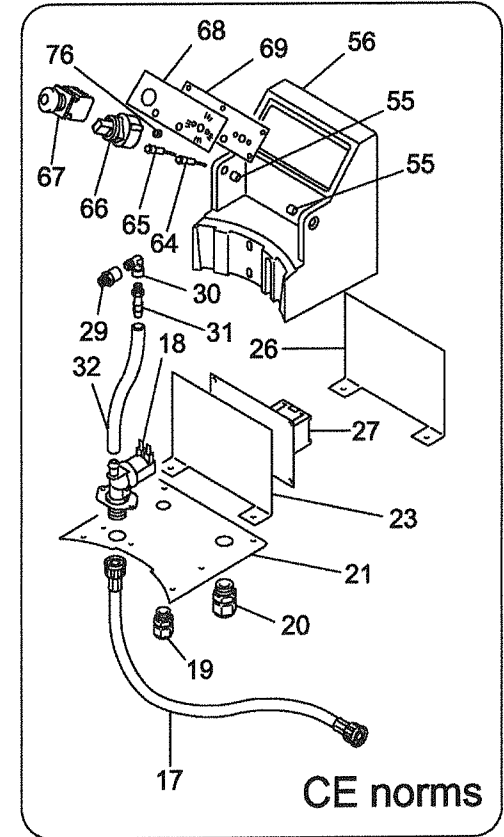
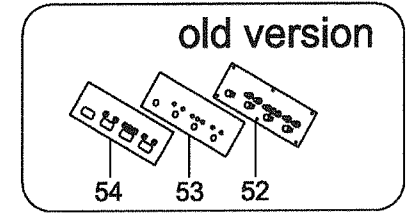
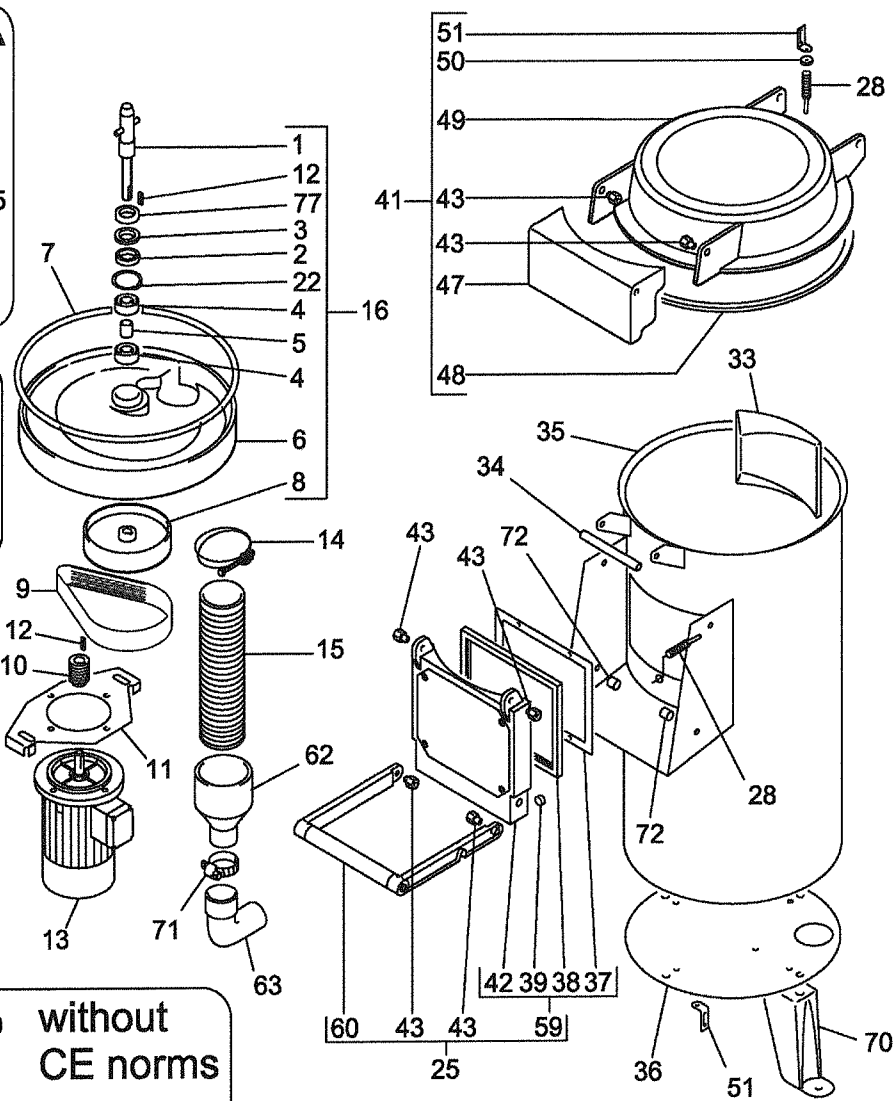
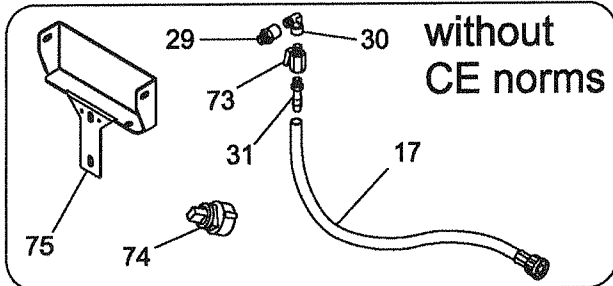
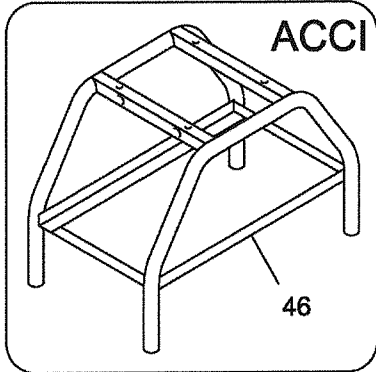
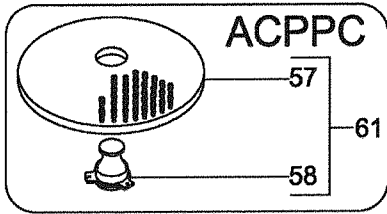
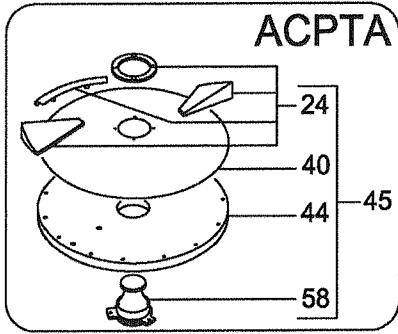


PPN-PPF-LCN-LCF5

Pos. Ref.	Codice Code	Caratteristiche Features	Descrizione Description
1	36G6590		Albero Shaft
2	3151300	ø28xø42x7	Paraolio Oil seal
3	3190830		Rosetta Washer
4	36F0090	6302 2RS	Cuscinetto Bearing
5	36G5950		Boccola Bush
6	3600870		Fondo Bottom
7	3151750		Anello Ring
8	SL2056	ø42	Seeger Seeger
9	36G6600		Puleggia Pulley
10	36G6610	● Poly V-559 j12	Cinghia Belt
11	36G6620	(PPN-PPF5)	Puleggia Pulley
11	36G0030	(LCN-LCF5)	Puleggia Pulley
12	35V1230		Staffa Bracket
13	SL1471	400V/3Ph/50Hz (PPN-PPF5)	Motore Motor
13	SL1470	230V/1Ph/50Hz (PPN-PPF5)	Motore Motor
13	SL1518	400V/3Ph/50Hz (LCN-LCF5)	Motore Motor
13	32M0650	230V/1Ph/50Hz (LCN-LCF5)	Motore Motor
14	3140460	ø88+ø96	Fascetta Clip
15	35X1150	ø90	Tubo Tube
16	SA3460	plastic (PTA)	Kit disco Disk set
16	SA3450	28/01/08 f.p.(*)	Kit disco Disk set
17	ACPPC	Assembly (LCN-LCF5)	Disco cozze Mussel disk
18	SL2921	●	Scheda elettronica Electronic card
18	32Z4840	01/01/04 f.p.(*)	Teleruttore Remote control switch
19	SL2785		Piastra Plate
20	SA1064	Assembly	Fondo Bottom
21	32W3240	● CE norms	Microinterruttore Microswitch
22	SL0010	5x5x20	Linguetta Key
23	SA1092	● Assembly	Timer Timer
24	33M0010	3/4" F	Tubo Tube
25	SL3542		Tela abrasiva Emery cloth
25	SL2494	● 28/01/08 f.p.(*)	Tela abrasiva Emery cloth
26	36D9550		Boccola Bush
27	36G6880		Disco cozze Mussel disk
28	SA3400	Assembly	Sportello Door
29	3600160	● CE norms	Magnete Magnet
30	37Q7860	●	Guarnizione Gasket
31	36C0011		Telaio Frame
32	SL3543		Disco Disk
32	SL2135	28/01/08 f.p.(*)	Disco Disk
33	36M5250		Pomello Knob
34	ACPTA	Assembly (PPN-PPF5)	Disco patate Potato disk
35	SL2904		Staffa Bracket
36	35X2330	CE norms	Tubo Tube
37	33Q6040	L 90° 1/4" M-F	Raccordo Nipple
38	33Q6210	1/4" M-F	Raccordo Nipple
39	SL1622	1/4" M-F	Rubinetto Cock
40	33Q5180	1/4" M ø12	Portagomma Clutch
41	3117580	1/4" CH17	Dado Nut
42	36D6040		Saltarello Leaper
43	36G2040		Perno Pivot
44	SL2693R0		Carcassa Housing
45	SL3705		Etichetta Label
45	SL3530	01/01/09 f.p.(*)	Etichetta Label
46	32W2970	● 230V 2W green	Lampada Lamp
47	32W3280	● 230V 2W white	Lampada Lamp
48	SA1087		Timer Timer
49	SA1088	Unstable	Pulsante Push button
50	35D7790		Fondo Bottom
51	35M0850	(PPN-LCN5)	Piastra Plate
52	36C0800	● (PPN-LCN5)	Piedino Foot
53	36M5090		Maniglia Handle
54	36Z6501		Coperchio Cover
55	3600310	● CE norms	Magnete Magnet
56	35V6381	CE norms	Staffa Bracket
57	SL2871	●	Guarnizione Gasket
58	SA1093	Assembly	Maniglia Handle
59	6000930	Assembly	Sportello Door
60	SA1072	Assembly	Sportello Door
61	6005380	Assembly	Coperchio Cover
62	ACCI	Assembly (PPF-LCF5)	Telaio Frame
63	SL2211	(PPF-LCF5)	Tappo Tap
64	SL0772	V-8-S	V-ring V-ring
65	SL3943	ø28xø42x7	Paraolio Oil seal

(*) : fuori produzione / out of production

● : ricambio consigliato /



PPN-PPF-LCN-LCF10-18M

Pos. Ref.	Codice Code	Caratteristiche Features	Descrizione Description
1	36G6590		Albero Shaft
2	3151300	ø28xø42x7	Paraolio Oil seal
3	3190830		Rosetta Washer
4	36F0090	6302 2RS	Cuscinetto Bearing
5	36G5950		Boccola Bush
6	3600870		Fondo Bottom
7	3151750		Guarnizione Gasket
8	36G6600		Puleggia Pulley
9	36G6610	● Poly V-559 j12	Cinghia Belt
10	36G6620	(PPN-PPF10-18)	Puleggia Pulley
10	36G0030	(LCN-LCF10-18)	Puleggia Pulley
11	35V1230		Staffa Bracket
12	SL0010	5x5x20	Linguetta Key
13	SL0040	400V/3Ph/50Hz (PPN-PPF10)	Motore Motor
13	SL0041	230V/1Ph/50Hz (PPN-PPF10)	Motore Motor
13	SL1041	400V/3Ph/50Hz (PPN-PPF18)	Motore Motor
13	SL1042	230V/1Ph/50Hz (PPN-PPF18)	Motore Motor
13	SL1521	400V/3Ph/50Hz (LCN-LCF10)	Motore Motor
13	SL1523	230V/1Ph/50Hz (LCN-LCF10)	Motore Motor
13	SL1522	400V/3Ph/50Hz (LCN-LCF18)	Motore Motor
13	SL1524	230V/1Ph/50Hz (LCN-LCF18)	Motore Motor
13	32M4080	400V/3Ph/50Hz (2 speed - PPN-PPF10) 01/01/05 f.p.(*)	Motore Motor
13	32M4050	400V/3Ph/50Hz (2 speed - PPN-PPF18) 01/01/05 f.p.(*)	Motore Motor
14	3140460	ø88+ø96	Fascetta Clip
15	SL2721	ø90 (PPN-LCN)	Tube Tube
15	35X1150	ø90 (PPF-LCF)	Tube Tube
16	SA1064	Assembly	Fondo Bottom
17	33M0010	3/4" F-F	Tube Tube
18	33D1371	230V/50-60Hz 3/4" M	Elettrovalvola Electro-valve
19	SL0893	PG13,5	Pressacavo Cable clamp
19	32D0360	01/01/04 f.p.(*)	Pressacavo Cable clamp
20	32D1090	PG21	Pressaguaina Sheathing clamp
21	SL2939		Piastra Plate
21	35Q8620	01/01/04 f.p.(*)	Piastra Plate
22	SL2056	ø42	Seeger Seeger
23	SL2785		Piastra Plate
23	35V8601	01/01/04 f.p.(*)	Divisorio Dividing head
24	SA3460	plastic (PTA)	Kit disco Disk set
24	SA3450	28/01/08 f.p.(*)	Kit disco Disk set
25	SA1072	Assembly	Sportello Door
26	35M8840		Copertura Covering
27	SL2921	●	Scheda elettronica Electronic card
27	32Z4840	01/01/04 f.p.(*)	Teleruttore Remote control switch
28	32W3240	● CE norms	Microinterruttore Microswitch
29	33Q6210	1/4" M-F	Raccordo Nipple
30	33Q6040	L 90° 1/4" M-F	Raccordo Nipple
31	33Q5180	1/4" M ø12	Portagomma Clutch
32	33M0960	ø12	Tube Tube
33	36D9660		Saltarello Leaper
34	36G2040		Perno Pivot
35	30W2930	(PPN-PPF-LCN-LCF10)	Carcassa Housing
35	SL2694	(PPN-PPF-LCN-LCF18)	Carcassa Housing
36	SL3369	(PPN-LCN10-18)	Fondo Bottom
36	35D7790	(PPF-LCF10-18)	Fondo Bottom
37	36C0011		Telaio Frame
38	37Q7860		Guarnizione Gasket
39	3600160	● CE norms	Magnete Magnet
40	SL3542		Tela abrasiva Emery cloth
40	SL2494	● 28/01/08 f.p.(*)	Tela abrasiva Emery cloth
41	6005380	Assembly	Coperchio Cover
42	SA3400	Assembly	Sportello Door
43	36D9550		Boccola Bush
44	SL3543		Disco Disk
44	SL2135	28/01/08 f.p.(*)	Disco Disk
45	ACPTA	Assembly (PPN-PPF10-18)	Disco patate Potato disk
46	ACCI	Assembly (PPF-LCF10-18)	Telaio Frame
47	36M5090		Maniglia Handle
48	SL2871	●	Guarnizione Gasket
49	36Z6501		Coperchio Cover
50	3600310	● CE norms	Magnete Magnet
51	35V6381		Staffa Bracket

(*) : fuori produzione / out of production

● : ricambio consigliato /

PPN-PPF-LCN-LCF10-18M

Pos. Ref.	Codice Code	Caratteristiche Features	Descrizione Description	
52	32Z3030	01/01/04 f.p.(*)	Scheda elettronica	Electronic card
53	30A3560	01/01/04 f.p.(*)	Pannello	Panel
54	SL1504	01/01/04 f.p.(*) (PPN-PPF-LCN-LCF10-18)	Etichetta	Label
54	SL1505	01/01/04 f.p.(*) (2 speed - PPN-PPF-LCN-LCF10-18)	Etichetta	Label
55	36D7310		Boccola	Bush
56	36Z0690		Scatola	Box
57	36G6880		Disco cozze	Mussel disk
58	SL3267		Pomello	Knob
59	6000930	Assembly	Sportello	Door
60	SA1093	Assembly	Maniglia	Handle
61	ACPPC	Assembly (LCN-LCF10-18)	Disco cozze	Mussel disk
62	SL2720	Ø100-Ø50 (PPN-LCN10-18)	Riduzione	Reduction
63	SL2719	Ø50 (PPN-LCN10-18)	Gomito	Bend
64	32W2970	● 230V 2W green	Lampada	Lamp
65	32W3280	● 230V 2W white	Lampada	Lamp
66	SA1087	●	Timer	Timer
67	SA1088	● Unstable	Pulsante	Push button
68	SL3705		Etichetta	Label
68	SL3530	01/12/08 f.p.(*)	Etichetta	Label
69	SL3693		Pannello	Panel
69	30A3620	01/12/08 f.p.(*)	Pannello	Panel
70	SL3223	● (PPN-LCN10-18)	Piedino	Foot
71	SL2745	Ø50+Ø70 (PPN-LCN10-18)	Fascetta	Clip
72	SL2349		Perno	Pivot
73	SL1622	1/4" M-F	Rubinetto	Cock
74	SA1092	Assembly	Timer	Timer
75	SL2904		Staffa	Bracket
76	SL0772	V-8-S	V-ring	V-ring
77	SL3943	Ø28xØ42x7	Paraolio	Oil seal

(*) : fuori produzione / out of production

● : ricambio consigliato / s