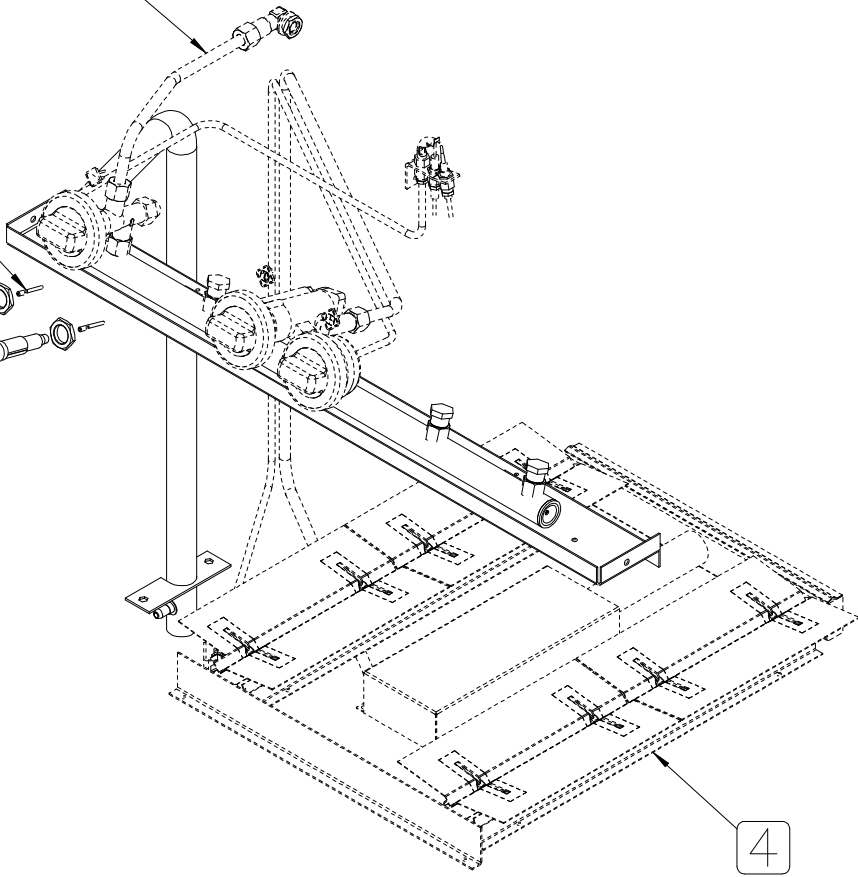


3

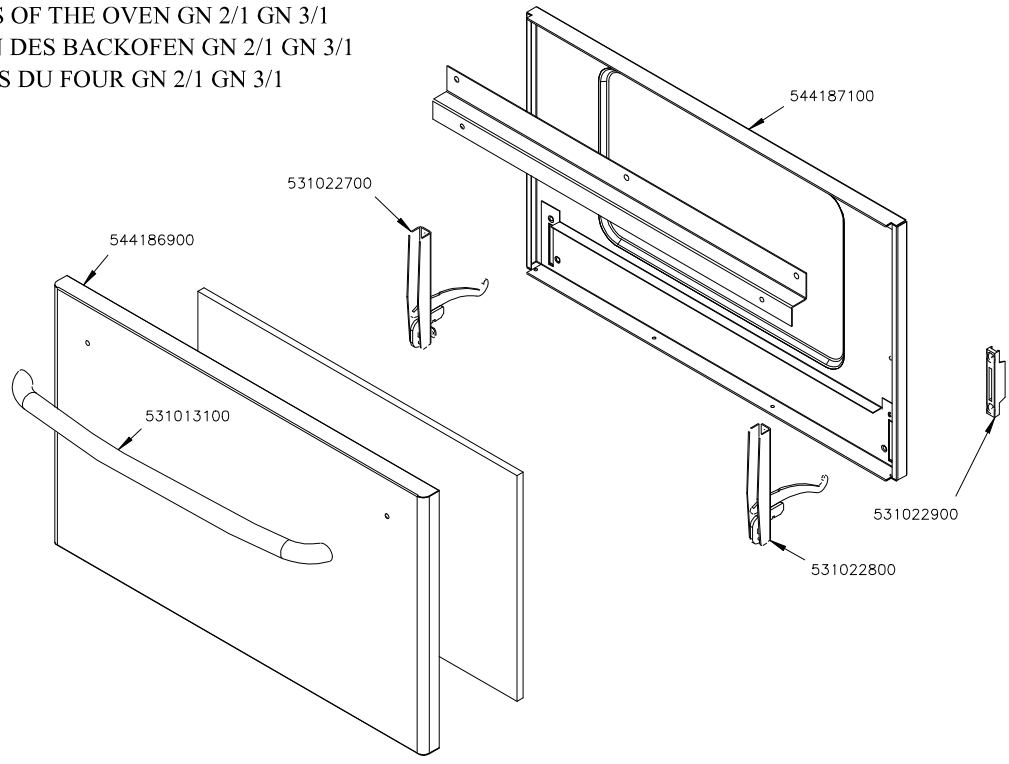
547013900  
536005000  
537002800



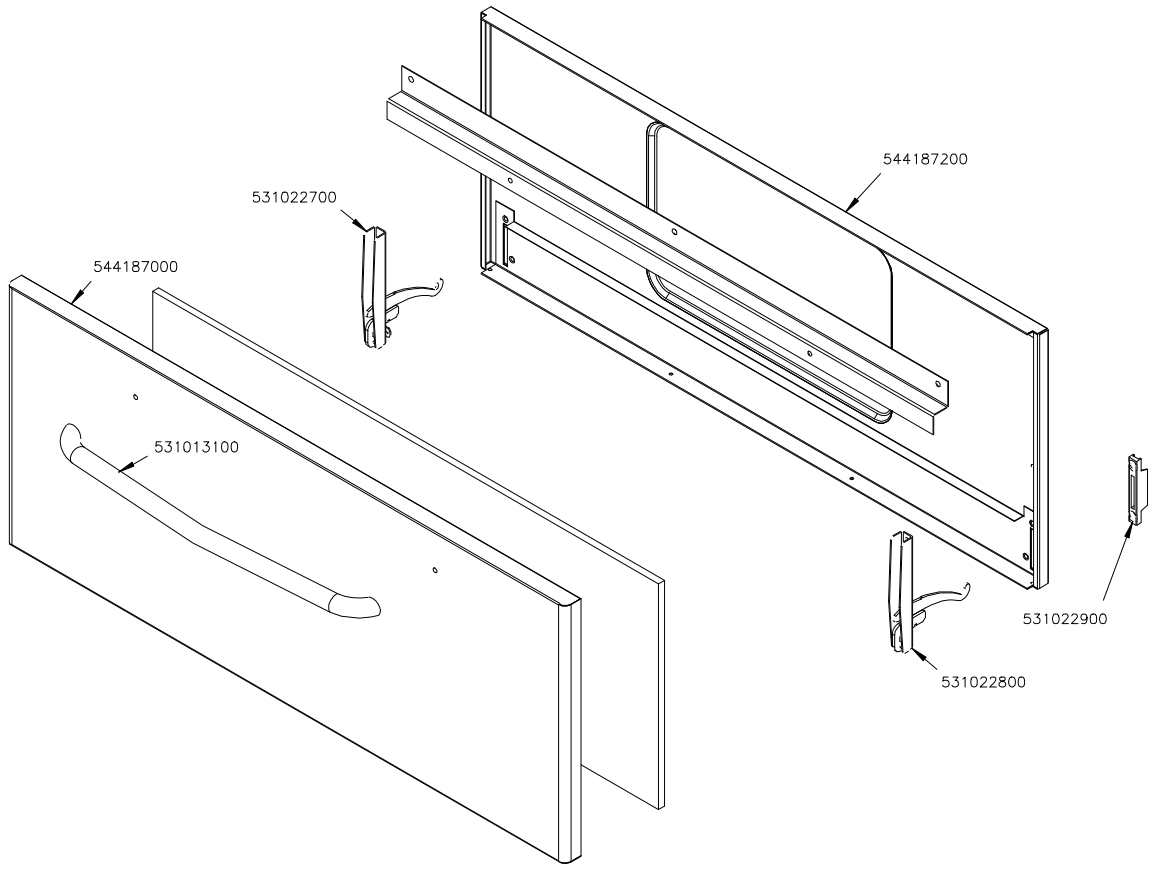
4

PORTE FORNO GN 2/1 GN 3/1  
DOORS OF THE OVEN GN 2/1 GN 3/1  
TUREN DES BACKOFEN GN 2/1 GN 3/1  
PORTES DU FOUR GN 2/1 GN 3/1

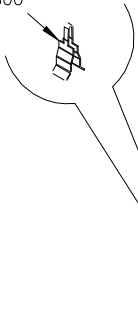
GN 2/1



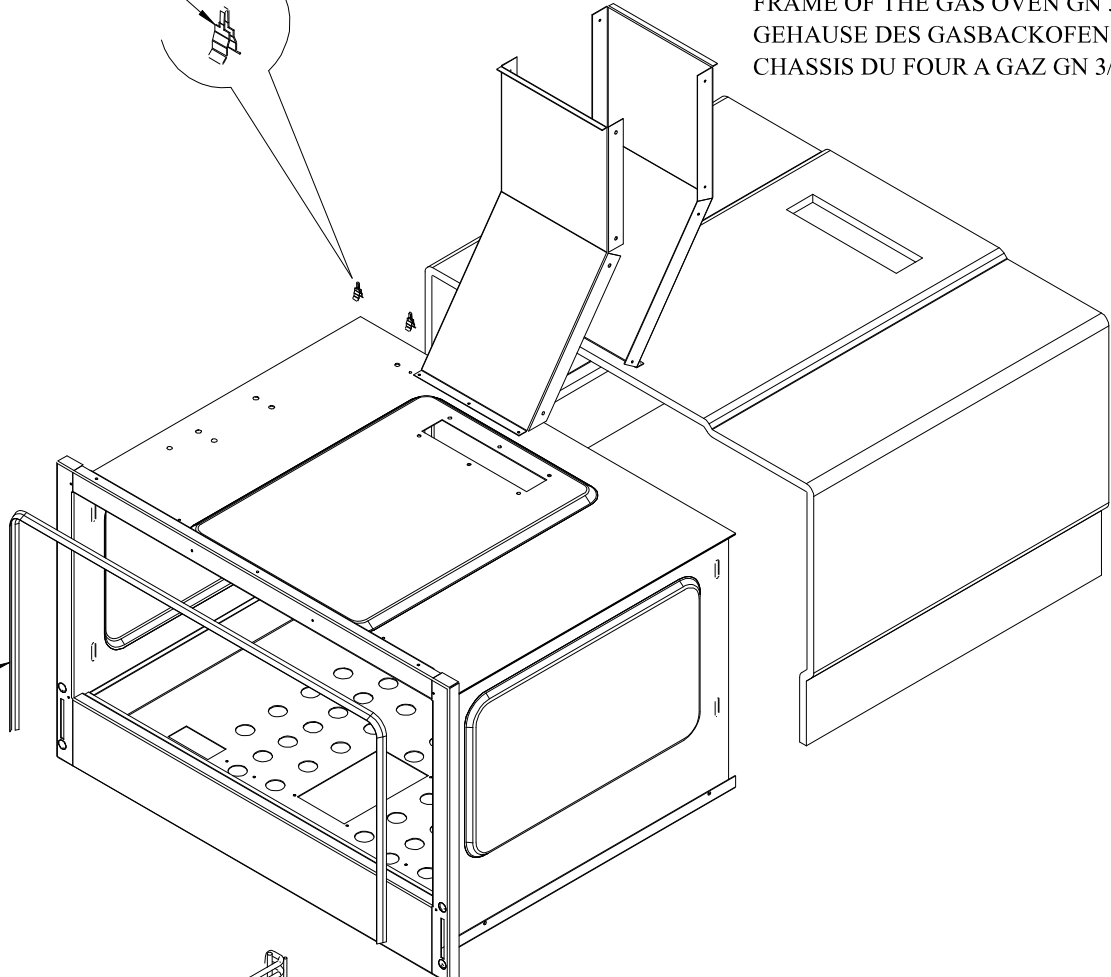
GN 3/1



533033800

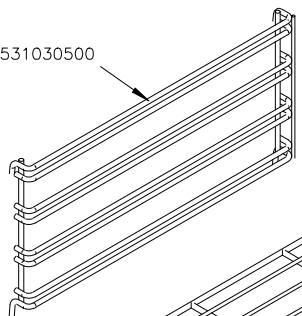


FORNO GN2/1 GAS CARCASSA  
FRAME OF THE GAS OVEN GN 3/1  
GEHAUSE DES GASBACKOFEN GN 3/1  
CHASSIS DU FOUR A GAZ GN 3/1

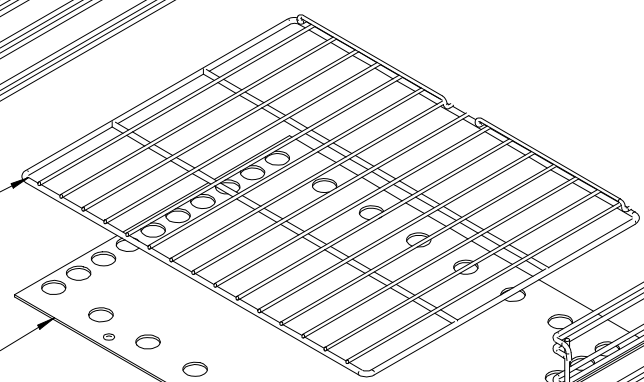


536010800

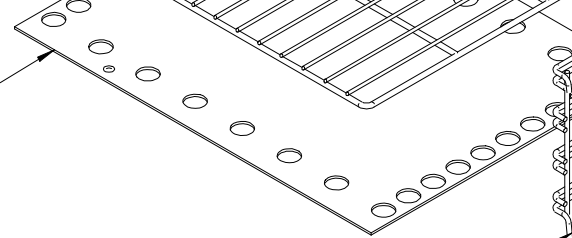
531030500



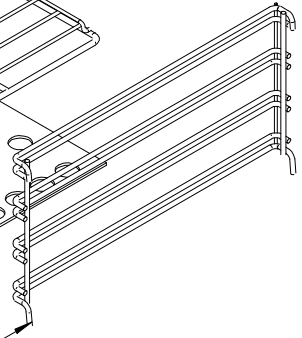
531030200



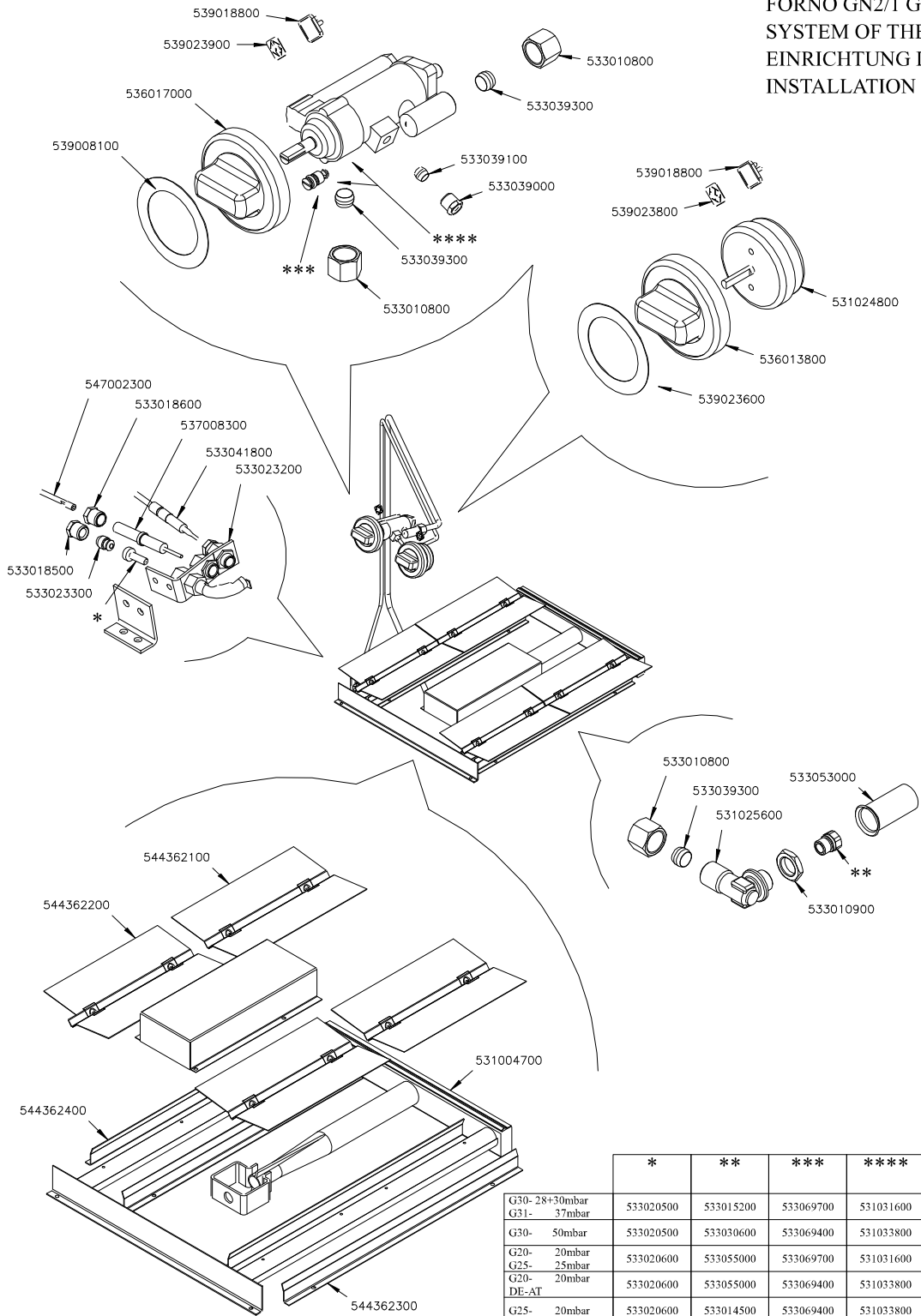
544171700



531030400

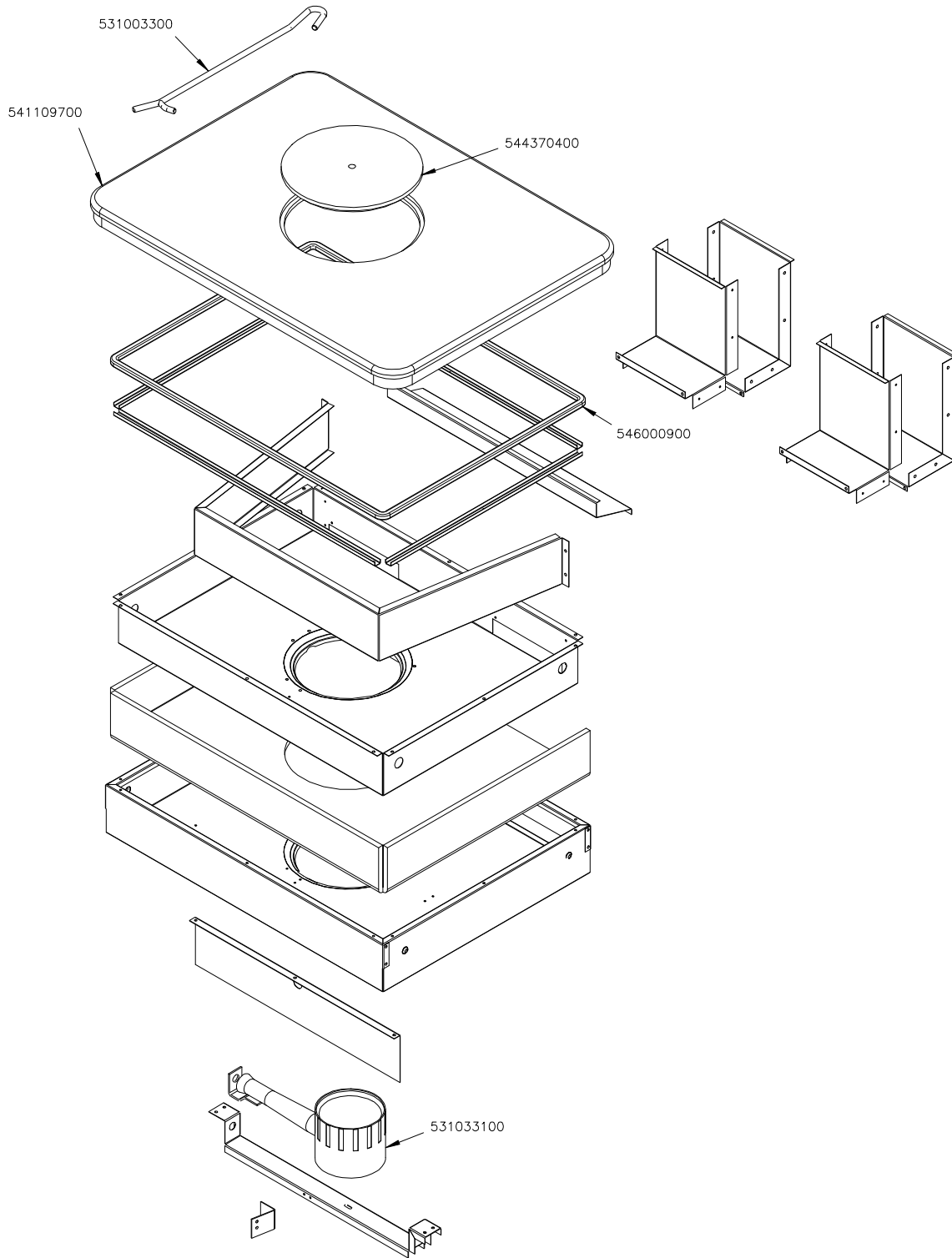


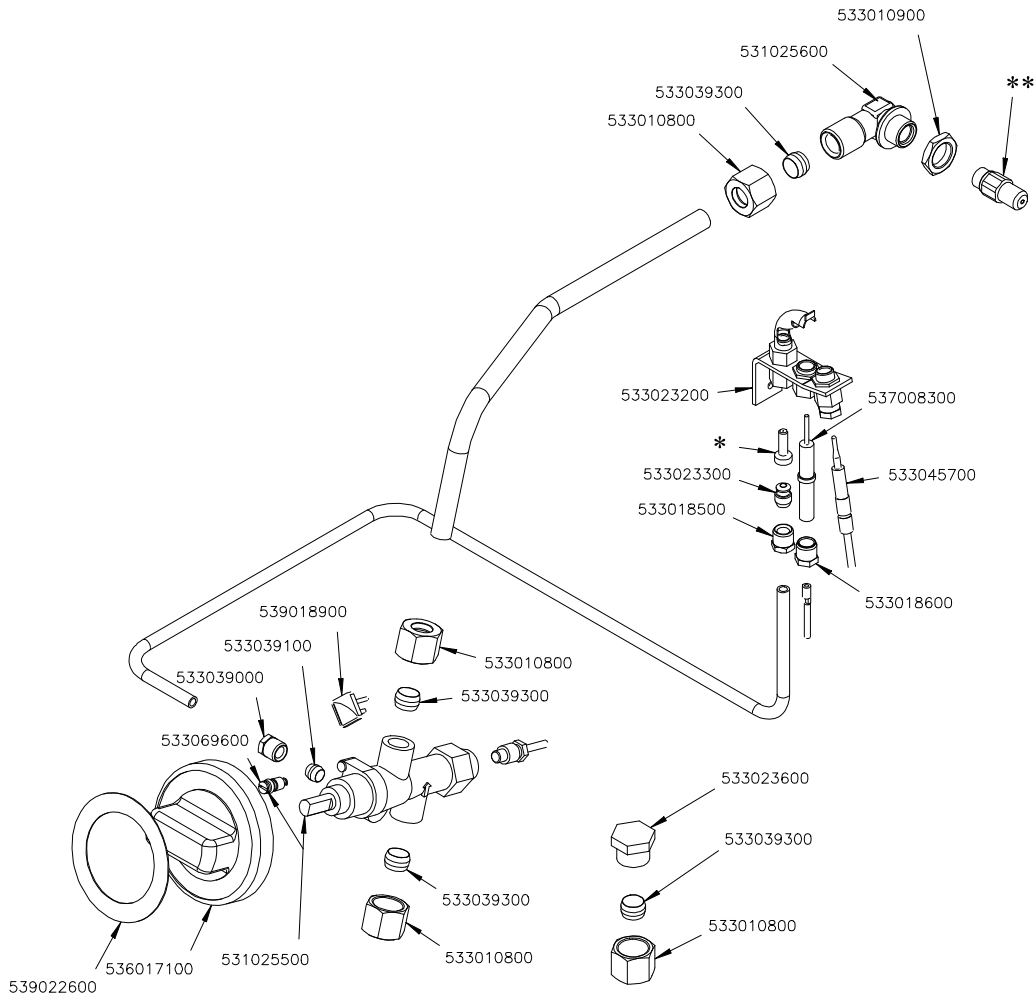
FORNO GN2/1 GAS IMPIANTO  
 SYSTEM OF THE GAS OVEN GN 3/1  
 EINRICHTUNG DES GASBACKOFEN GN 3/1  
 INSTALLATION DU FOUR A GAZ GN 3/1



	*	**	***	****
G30- 28+30mbar	533020500	533015200	533069700	531031600
G31- 37mbar				
G30- 50mbar	533020500	533030600	533069400	531033800
G20- 20mbar	533020600	533055000	533069700	531031600
G25- 25mbar				
G20- 20mbar	533020600	533055000	533069400	531033800
DE-AT				
G25- 20mbar	533020600	533014500	533069400	531033800
G25- 25mbar	533020600	533055100	533069700	531031600
NL				

TP CARCASSA / TP CASING / TP GEHAUSE / CARCASSE





	*	**
G30- 28+30mbar G31- 37mbar	533020500	533019600
G30- 50mbar	533020500	533046200
G20- 20mbar G25- 25mbar	533020600	533057500
G20- 20mbar DE-AT	533020600	533057500
G25- 20mbar	533020600	533032801
G25- 25mbar NL	533020600	533032001

Page	Pos	Code	Description
001		532002800	GRID FOR PIPE L=370 S.70
001		541097400	SPACER 78G - 2 DRAINS
001		544369200	UPPER PLATE TP-78G
001		541110100	CONTROL PANEL TPF-78G
001		544173300	LEFT SIDE PANEL RANGE S.70
001		536005200	INOX LEG 2" 120-180 M10
001		544173200	RIGHT SIDE PANEL RANGE S.70
002		547013900	HIGH-VOLTAGE CABLE TUB.§2 L=1400
002		536005000	NUT M18 FOR PIEZOELECTRIC IGNITION
002		537002800	PIEZOELECTRIC IGNITION M18
003		544187100	OVEN INNER DOOR GN 2/1 S.70
003		531022900	HINGE DOOR WHEEL HOLDER S.70
003		531022800	LEFT OVEN DOOR HINGE S.70
003		531022700	RIGHT OVEN DOOR HINGE 70LINE
003		544186900	OVEN DOOR GN 2/1 S.70
003		531013100	OVEN DOOR HANDLE OF 70/90-LINE
003		544187200	
003		544187000	OVEN DOOR GN 3/1 S.70
004		533033800	LOCK SPRING FOR BULB §6
004		536010800	OVEN GASKET GN 2/1 (1261)
004		531030500	LHD SUPPORT GRID FOR OVEN OF 70LINE
004		531030200	OVEN GRID GN 2/1 FOR 70 LINE
004		544171700	BOTTOM FOR GAS OVEN GN2/1 700LINE
004		531030400	RHD SUPPORT GRID FOR OVEN OF 70LINE
005		539018800	INDEX FOR OVEN KNOB
005		539023900	SIGN PLATE FOR OVEN TEMPERATURE
005		533010800	TUBE NUT D.10 M16*1,5
005		536017000	BLACK KNOB §70 PIN §8*6,5
005		539008100	ADHESIVE GRADUATED DISC FOR KNOB
005		533039300	BICONE §10
005		533093100	
005		533039000	NUT FOR PILOT TUBE §6
005		539023800	SIGN PLATE FOR OVEN TIMER
005		531024800	TIMER 120'- 360°
005		536013800	KNOB D.70 BLACK 6*5 WITH SPRING
005		539023600	ADHESIVE GRADUATED DISC FOR KNOB
005		547002300	HIGH-VOLTAGE CABLE §2 L=1900
005		533018600	PLUG FITTING
005		537008300	ROUND PLUG §2,4- LONG ELECTRODE
005		533041800	THERMOCOUPLE 1500 M9*1
005		533023200	"TARGET" PILOT + NIPPLE TC BRAC.90°
005		533018500	FITTING FOR BICONE D.6 M10*1
005		533023300	BICONE §6 ("TARGET" PILOT)
005		531025600	ELBOW 90° NOZZLE-HOLDER §10 PIPE
005		533053000	AIR ADJUSTMENT BUSHING §18
005		533010900	NUT M14*1 H.4
005		544362100	UPPER BURNER DEFLECTOR FOR OVEN 70
005		544362200	UPPER PILOT DEFLECTOR FOR OVEN 70
005		544362400	SIDE PILOT DEFLECTOR FOR OVEN 70
005		531004700	BURNER FOR OVEN GN 2/1 S.70
005		544362300	SIDE BURNER DEFLECTOR FOR OVEN 70



Page	Pos	Code	Description
005		533020500	NOZZLE 0.140 §19
005		533015200	NOZZLE §145 CH12*14 F-FP/CP6
005		533069700	BY PASS COCK §075 25ST
005		531031600	HORIZON.THERMOSTATIC TAP BY-PASS 75
005		533030600	NOZZLE §125 CH12*14
005		533069400	BY PASS COCK §065 25ST
005		531033800	HORIZON.THERMOSTATIC TAP BYPASS §65
005		533020600	NOZZLE 0.140 §27
005		533055000	NOZZLE §205 CH12*14 G25 CW4
005		533014500	NOZZLE §225 CH12*14 OVEN GN 2/1
005		533055100	NOZZLE §215 CH12*14 L-CW4
006		531003300	TP-PLATE LIFTING HOOK
006		541109700	PLATE TP-78G
006		544370400	RING PLATE TP S.70
006		546000900	SQUARE BRAID OF INSULATING MATERIAL
006		531033100	BURNER TP..-78G
007		533010900	NUT M14*1 H.4
007		531025600	ELBOW 90° NOZZLE-HOLDER §10 PIPE
007		533039300	BICONE §10
007		533010800	TUBE NUT D.10 M16*1,5
007		533023200	"TARGET" PILOT + NIPPLE TC BRAC.90°
007		533023300	BICONE §6 ("TARGET" PILOT)
007		533018500	FITTING FOR BICONE D.6 M10*1
007		537008300	ROUND PLUG §2,4- LONG ELECTRODE
007		533045700	THERMOCOUPLE M9*1 500
007		533018600	PLUG FITTING
007		539018900	INDEX FOR KNOB
007		533039100	BICONE §6
007		533039000	NUT FOR PILOT TUBE §6
007		533069600	BY PASS COCK §130 20S-21S
007		539022600	GRADUATED STICKER FOR KNOB
007		536017100	BLACK KNOB §70 PIN §8*6,5
007		531025500	GAS COCK 21S P.V.BY-PASS Ø130
007		533023600	TAP PLUG §10 M16*1, 5CH19
007		533020500	NOZZLE 0.140 §19
007		533019600	NOZZLE §165 CH12*30 MH-FT5 H-FT6
007		533046200	NOZZLE §150 CH12X30 L-BR TP
007		533020600	NOZZLE 0.140 §27
007		533057500	NOZZLE §260 CH12X30
007		533032801	NOZZLE §280 CH12*30 M-CPM
007		533032001	NOZZLE §270 CH12*30 MH-CPM