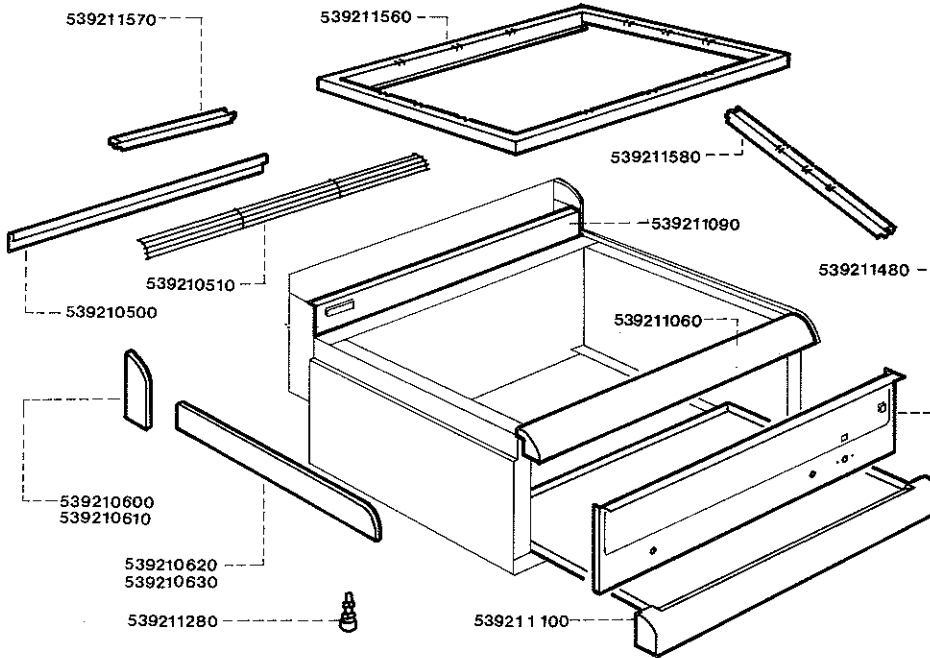


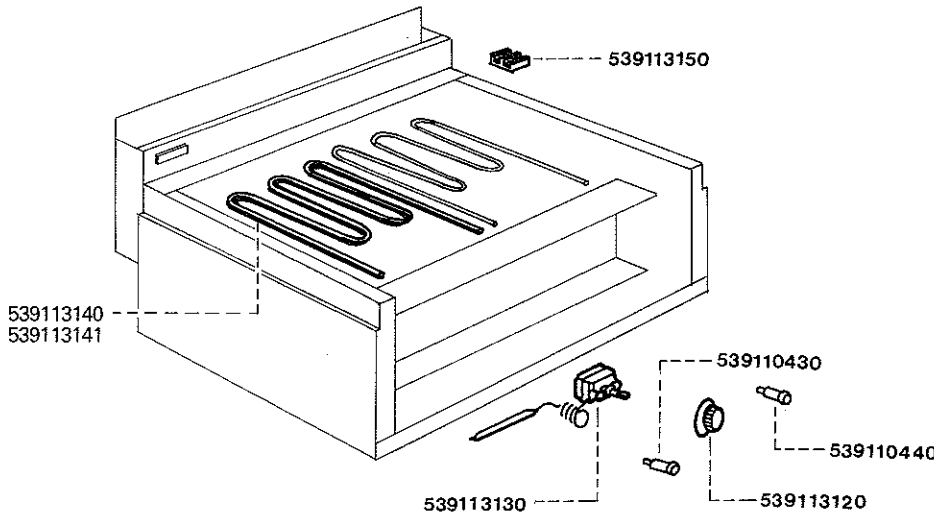
E350/43 BAIN MARIE



Fitments

Code No.	Description
9C	539210500 Flue Trim
11C	539210510 Flue Grid
12C	539210600 Rear Cheek - LH
7D	539210610 Rear Cheek - RH
7D	539210620 Side Cheek - LH
7D	539210630 Side Cheek - RH
1E	539211060 Hob Rail
4D	539211090 Flue Front
9D	539211110 Drip Tray
9A	539211280 Foot
6E	539211480 Control Panel
1E	539211560 Support Assembly
5C	539211570 Centre Bridge Bar
8C	539211580 Intermediate Bridge Bar

Controls



Code No.	Description
7B	539110430 Lamp Indicator (Amber)
7B	539110440 Lamp Indicator (Red)
5B	539113120 Knob for Thermostat
1E	539113130 Thermostat
4E	539113131 Thermostat c/w Knob (Not illustrated)
1F	539113140 Element
1F	539113141 Element - 220V
2B	539113150 Terminal Block

Falcon Catering Equipment

Commercial and institutional catering equipment

Falcon Catering Equipment is a business name of Glynwed Consumer & Building Products Ltd. a member of the Glynwed International plc group of companies

Sheet Reference Number

E350/43'1183'001

