



Flockeneisbereiter, 60 kg/24 h, 9 kg Eisvorratsbehälter

Artikel-Nr.
711031 (GB601A)

Explosionszeichnung / Ersatzteile

Bitte bei Ersatzteilbestellung immer Artikelnummer und
Seriennummer mit angeben!



GB 601

LIST OF THE EXPLODED VIEWS



SHELL ASSY

COOLING SYSTEM

EVAPORATOR

HYDRAULIC CIRCUIT

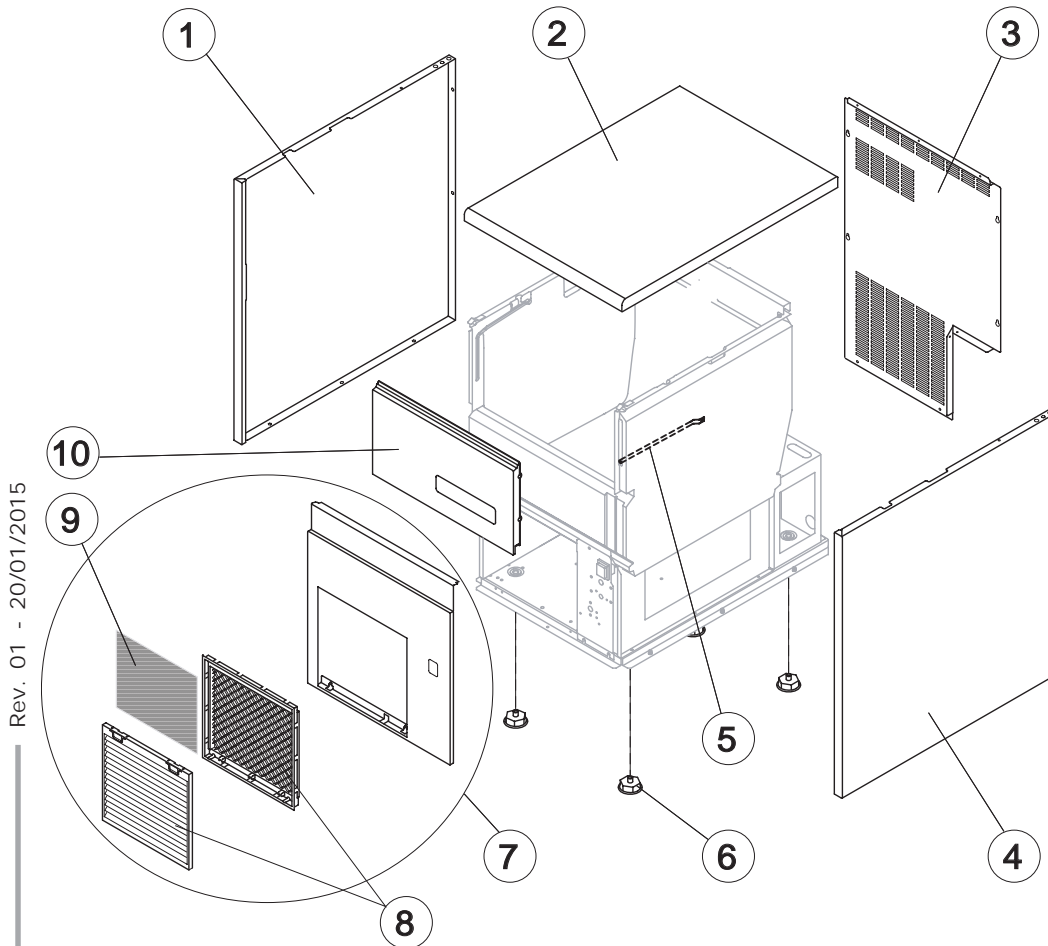
ELECTRIC PARTS

Rev. 01 - 20/01/2015



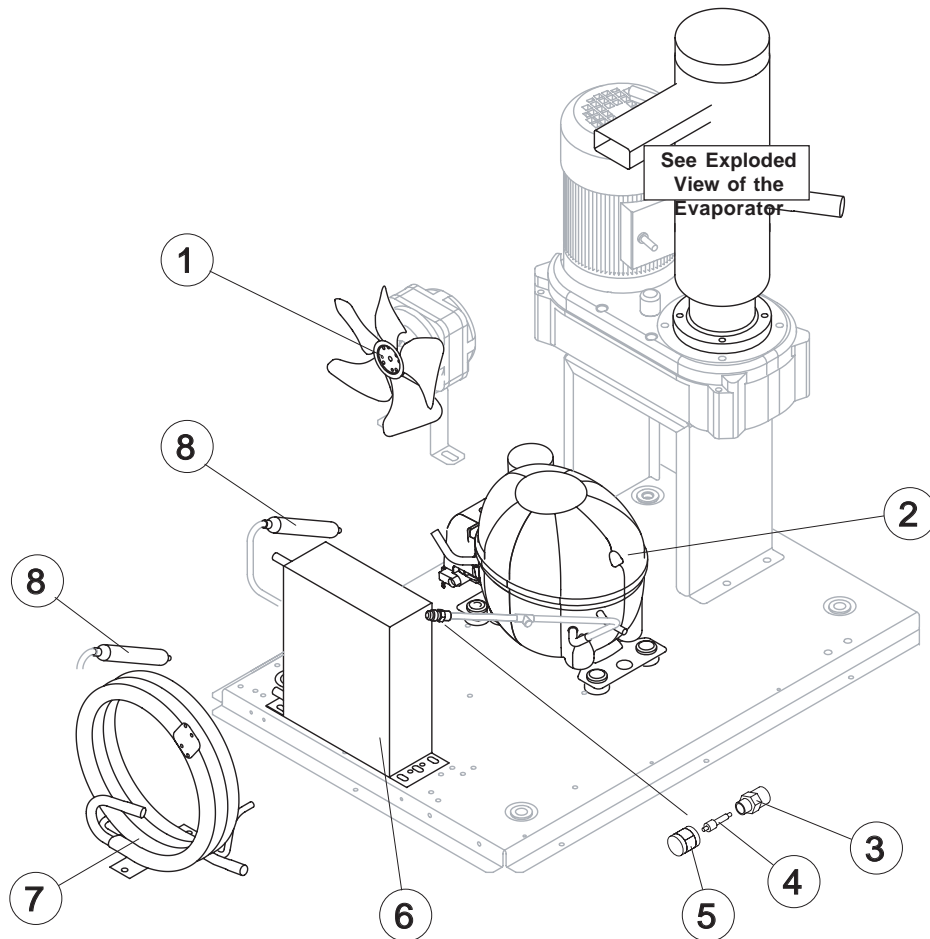
GB 601

SHELL ASSY



Ref.	Spare Description	Code
1	Left Side Panel	C221525
2	Top Assembly	C221527
3	Rear Panel	21422
4	Right Side Panel	C221524
5	Bulbe-holder Pipe	20521
6	Foot	10557
7	Front Grid Panel	C221526
8	Frame + Grid & Filter	C10205
9*	Filtering Panel	18106
10	Door Assy	C10713

Rev. 01 - 20/01/2015



Common Parts

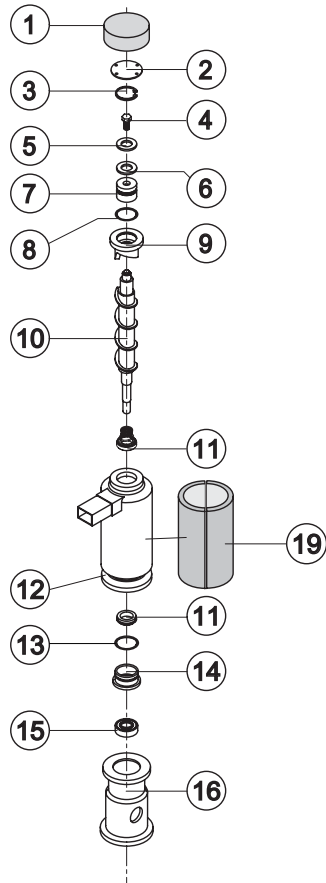
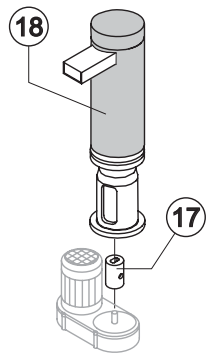
Ref.	Spare Description	Code
2	Compressor	231003
3	Vacuum-Charge Valve Body	14007
4*	Vacuum-Charge Valve Device	14005
5*	Vacuum-Charge Valve Plug	14006
8*	Molecular Drier	14009

Parts for Air-Cooled Version Only

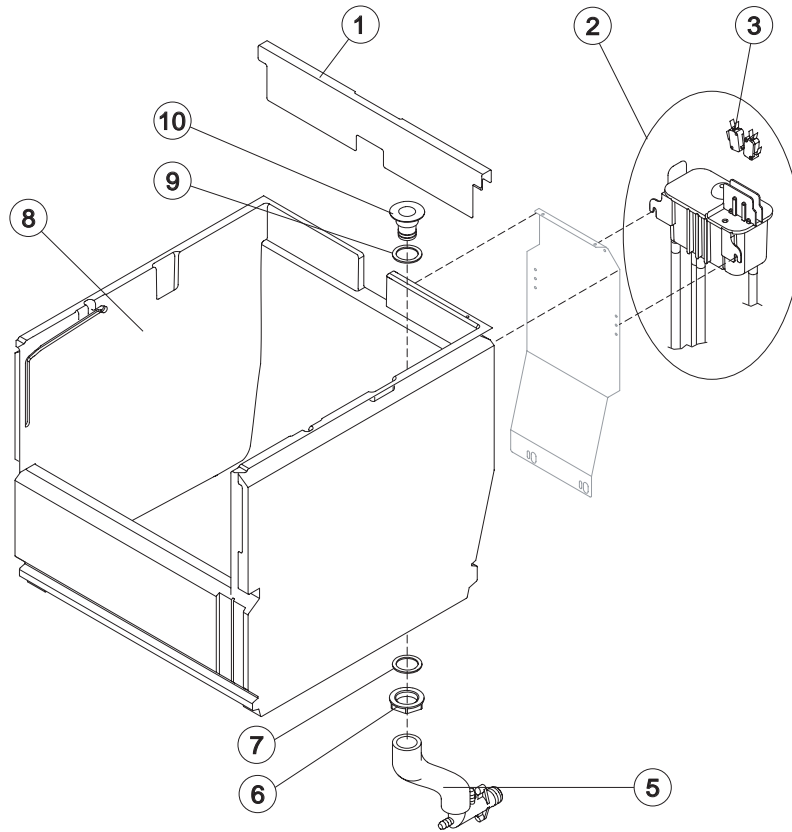
Ref.	Spare Description	Code
1	Sucking Fan	20096
6	Air Condenser	20534

Parts for Water-Cooled Version Only

Ref.	Spare Description	Code
1	Sucking Fan	10213
7	Water Condenser	14057



Ref.	Spare Description	Code
1	Insulating Cap	18170
2	Closing Disk	22825
3	Seeger	20043
4	Stainless Steel Screw	20663
5	Shimming Disk	22826
6	Self-Lubricating Disk	20631
7	Stainless Steel Thrust Bearing	20686
8	OR Gasket 3087	20688
9	Ice Breaker	20626
10	Auger	201093
11	Ceramic Seal	20937
12	Insulated Evaporator	C11203
13	OR Gasket 3162 NBR70	20429
14	Reduction Ring	20785
15	Stainless Steel Bearing	20782
16	Flange	20629
17	Joint	D20784
18	Evaporator Assy	C11196
19	Insulating Cap	18245



Common Parts

Ref.	Spare Description	Code
1	Cover for Ice Exhaust	221528
2*	Double Switch Basin Assembly	C10719
3	Microswitch	23055
6	Bin Discharge Nut	10096
7	Semirigid Polyethylene Gasket	13007
8	Foamed Cabinet Assy	C11200
9	Silicone Gasket	13006
10	Water Outlet Nipple	10007

Parts for Air-Cooled Version Only

Ref.	Spare Description	Code
5	Discharges Manifold	C10728

Parts for Water-Cooled Version Only

Ref.	Spare Description	Code
5	Discharges Manifold	C10729



Common Parts

Ref.	Spare Description	Code
1	Gearmotor	231030
2	Anti Radio Interference Filter	C23457
5	Low pressure safety switch	23909
6	High pressure safety switch	23960
7*	Pressostato Condensatore	23175
8*	Relay	23190
9*	Green Light Switch (On-Off)	23327
10	Anti Radio Interference Filter	C23459
11*	Bin Thermostat	R23005

Parts for Air-Cooled Version Only

Ref.	Spare Description	Code
4*	1 Way- Water Inlet Valve	23115
12*	Fan Motor	231041

Parts for Water-Cooled Version Only

Ref.	Spare Description	Code
3*	2 Ways- Water Inlet Valve	23116
12*	Fan Motor	23029

Rev. 01 - 20/01/2015

